



Spare Parts Catalog

4 WG 160

Material number: 4656.054.117

Current date: 07.11.2014

ZF Friedrichshafen AG
Hauptverwaltung
80038 Friedrichshafen
Deutschland

Telefon: +49 7541 77-0

Telefax: +49 7541 77-908000

www.zf.com

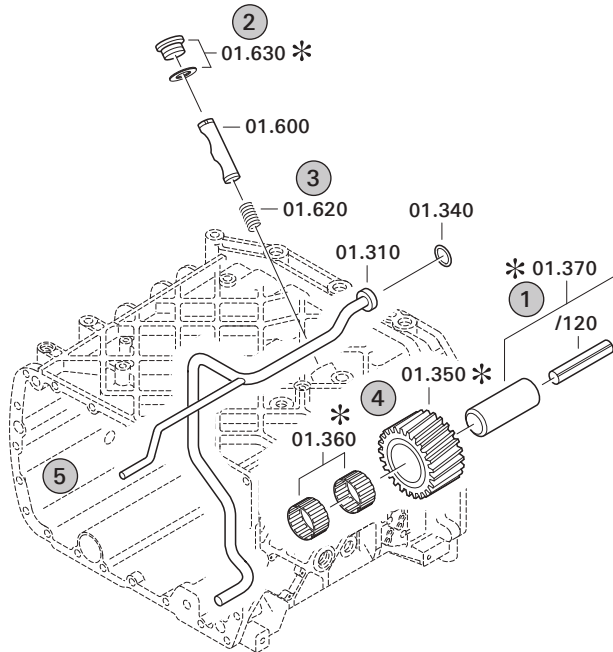
zuständiges Werk:
Passau

Notes relating to the spare parts catalog

Setup of the spare parts catalog

- Cover sheet
- Technical Cover (only in SDM print)
- Overview of figures
- Figure
- Associated parts list
- Next figure
- Associated parts list
- ...

Figure and parts list



Overview of figures

Bildtafel Figure	Sachnummer Product number	Benennung (Description)	Technische Info Technical info	Description (Benennung)	Menge Quantity	Einheit Unit
068.08.17	1316.170.001	AUSLEGER	WL	SHIFT TURRET	1	Stk
068.08.06	1316.170.031	DECKEL	WL*H-H *VM	COVER	1	Stk
068.08.14	1316.170.808	DECKEL	WL*AUSL+GEH*H-H*HF160N	COVER	1	Stk
08	1316.170.441	ANSCHLUSSTEILE	WL*NG-VORB*RG-SCHL*168N *BAJONETT	CONNECTING PARTS	1	Stk

The "gap" indicates that there is no separate graphics panel (poster) for this assembly
The parts of this assembly are shown with the same mid-section number on the figure

1 Positions and subpositions

Pos.	Sachnummer Product number	Benennung (Description)	Technische Info Technical info	Description (Benennung)	Menge Quantity	Einheit Unit
0370	1315.201.054	RUECKLAUFBOLZEN	KPL.16S151*SG*L= 79	REV.IDLER SHAFT	1	Stk
/0120	0631.329.293	SPANNSTIFT		SLOT. PIN	1	Stk

Positions marked with "/" are the individual items of a completion
For example: Position 0370 contains a centering pin with the position /0120

2 Combinations with standardized parts

Pos.	Sachnummer Product number	Benennung (Description)	Technische Info Technical info	Description (Benennung)	Menge Quantity	Einheit Unit
0630		VERSCHL.SCHR.		SCREW PLUG	1	Stk
	0636.302.067	VERSCHL.SCHR.		SCREW PLUG	1	Stk
	0634.801.249	DICHTRING	A 26 X 31	SEALING RING	1	Stk

The parts list shows the components included in the combination of standardized parts

3 Depiction of position/item number on the figure and in the parts list

01.620 - on the figure 01 relates to the assembly in which the position is included. Due to program-related reasons, it is shown on the figure.

0620 - in the parts list

Pos.	Sachnummer Product number	Benennung (Description)	Technische Info Technical info	Description (Benennung)	Menge Quantity	Einheit Unit
0620	0732.040.736	DRUCKFEDER		COMPRESSION SPRING	1	Stk

4 *-Positions

Positions marked with an * are optional i.e. inclusion in the parts list is not mandatory.
The following note is shown on the figure

je nach Stücklistenausführung
depending on spec. number
*
suivant la nomenclature
secondo la distinta base

5 Parts, dotted display

Parts with dotted display on the figure are only used for orientation of other parts

Technical Cover

Page 1 from 3

Material number: 4656.054.117



4 WG 160 /

Pos.	Information	Amendment number
	CUSTOMER: HYUNDAI	
	CUSTOMER-IDENT-NO.: 81LF-01101	
	1.PERFORMANCE CALC.: 4656 706 897	
	VEHICLE DESIGNATION: RADLADER HL740-7A	
	WEIGHT LOADED: 11,50 TO	
	ENGINE: CUMMINS	
	ENGINE POWER: 91,0 KW	
	SPEED: 2.130 DRZ	
	INPUT TORQUE: 600 NM	
	SPEED: 1.400 DRZ	
	TYRE SIZE: 20,5X25	
	TYRE RADIUS DYN: 0,720 M	
	AXLE RATIO: 22,846	
	MAX. SPEED: 36,0 KM/H	
	PRODUCT DESCRIPTION: ZF-ERGOPOWER TRANSMISSION	
	TRANSMISSION TYPE 4 WG 160	
	DROP CENTER DISTANCE: 500 MM	
	VEHICLE: LOADER	
	1. GEAR FORWARD: 4,012	
	2. GEAR FORWARD: 2,174	
	3. GEAR FORWARD: 1,088	
	4. GEAR FORWARD: 0,619	
	1. GEAR REVERSE: 3,804	
	2. GEAR REVERSE: 2,061	
	3. GEAR REVERSE: 1,031	
	NUMBER OF PULSES ENGIN: 4	
	NUMBER OF PULSES TURB: 51	
	NUMBER OF PULSES MRK: 55	
	NUMBER OF PULSES OUTP.: 60	
	CONVERTER: W 300	
	CONVERTER PART NR: 4168030264	
	LOCK-UP CLUTCH: WITHOUT	
	STALL TORQUE RATIO: 2,57	



Pos.	Information	Amendment number
	TORQUE CONVERTER ABSORP 344 NM	
	STATOR FREEWHEEL: WITHOUT	
	ENGINE INPUT: REMOTE MOUNTED VIA JOINT SHAFT	
	INPUT FLANGE: MECH 5 C	
	OUTPUT: STANDARD	
	OUTPUT CONVERTER SIDE: WITHOUT AXLE DISCONNECT	
	OUTPUT FLANGE CONVERTER MECH 6 C	
	AXIAL DISPLACEABILITY: WITHOUT	
	OUTPUT PTO SIDE: WITHOUT PARKING BRAKE	
	OUTPUT FLANGE PTO SIDE: MECH 6 C	
	1.PTO FLANGE: SAE B 2/4 HOLE	
	DRIVER / PROFILE: SAE B-B 16/32 DP 15 T	
	GEAR CHANGE CONTROL: ZF-ERGOSHIFT/ PROP VALVE	
	VOLTAGE: 24 VOLT	
	SPEED CONTROL: CONNECTION VIA EST	
	OIL LEVEL TUBE: WITHOUT	
	OIL DIPSTICK: WITHOUT	
	FILTER INSTALLATION: DIRECT MOUNTED	
	PRES. DROP SWITCH: CLOSING SWITCH	
	EMERGENCY STEERING PUMP WITHOUT	
	OIL TEMPERATURE SENSOR: WITH (VIA EST)	
	ELECTRIC PARTS ORDER: INCLUDED IN SCOPE OF SUPPLY	
	GROUP LOOSE PARTS: 4656.183.171	
	CONTROL UNIT: EST 37A	
	GEAR SELECTOR: DW 3	
	DISPLAY: WITHOUT	
	WIRING: WITHOUT	
	OIL CAPACITY: CA. 21 LITRE	
	GEARBOX OIL FILLING: WITHOUT	
	OEL-CLASS: OIL SPECIFICATION TE ML 03	
	PRIMER PAINT: BLACK RAL 9005	
	DOCUMENTATION GEAR BOX: -----	
	SECTION DRAWING: 4656 554 002	



Pos.	Information	Amendment number
	INSTALLATION DRAWING: 4656 654 117	
	GEARBOX DIAGRAM: 4656 700 048	
	OIL CIRCUIT DIAGRAMM: 4656700080	
	INSTAL. INSTRUCTIONS: 0000 702 271	
	DRAWING 6009.665.002	
	DRAWING GEAR SEL. 1: 6006.630.033	
	CONNECTION DIAGRAMM: 6006.700.564	
	CONNECTION DIAGRAMM: 6029.701.742	

Assembly group overview

Page 1 from 2



4 WG 160 /

Material number: 4656.054.117

Graphics	Pos.	Material number	Name	Quantity	Amend. no.	Techn. Info.
465613002300	270	4656.130.023	ENGINE CONNECTION	1		
465613040100	280	4656.130.401	ENGINE CONNECTION	1		
416603018500	500	4166.030.185	CONVERTER	1		
465610202300	30	4656.102.023	INPUT	1		
465610105001	10	4656.101.050	TRANSMISSION HOUSING	1		
465710140800	20	4657.101.408	TRANSMISSION HOUSING	1		
465617105000	350	4656.171.050	COUPLING	1		
465617203900	360	4656.172.039	COUPLING	1		
465617304500	370	4656.173.045	COUPLING	1		
465617403500	380	4656.174.035	COUPLING	1		
465617504800	390	4656.175.048	CLUTCH	1		
465617605800	400	4656.176.058	CLUTCH	1		
465610300700	50	4656.103.007	OUTPUT	1		
465610341100	60	4656.103.411	OUTPUT	1		
465610341400	70	4656.103.414	OUTPUT	1		
465615400400	340	4656.154.004	POWER TAKE-OFF	1		

Assembly group overview

Page 2 from 2



4 WG 160 /

Material number: 4656.054.117

Graphics	Pos.	Material number	Name	Quantity	Amend. no.	Techn. Info.
465610601300	110	4656.106.013	SHIFT SYSTEM	1		
465710640720	115	4657.106.407	SHIFT SYSTEM	1		
465615901921	120	4656.159.019	SHIFT SYSTEM	1		
465612000300	190	4656.120.003	PRESSURE REGULATOR	1		
465612200500	220	4656.122.005	PRESSURE OIL PUMP	1		
465613700400	310	4656.137.004	EMERGENCY STEERING PUMP	1		
465612500600	250	4656.125.006	INDUCTIVE SENSOR	1		
465712400200	240	4657.124.002	TEMPERATURE SENSOR	1		
465613801500	330	4656.138.015	FILTER	1		
465613100500	290	4656.131.005	OIL DIPSTICK	1		
465619901800	490	4656.199.018	LOOSE PARTS	1		
465618317100	495	4656.183.171	LOOSE PARTS	1		

Plant

Page 1 from 1

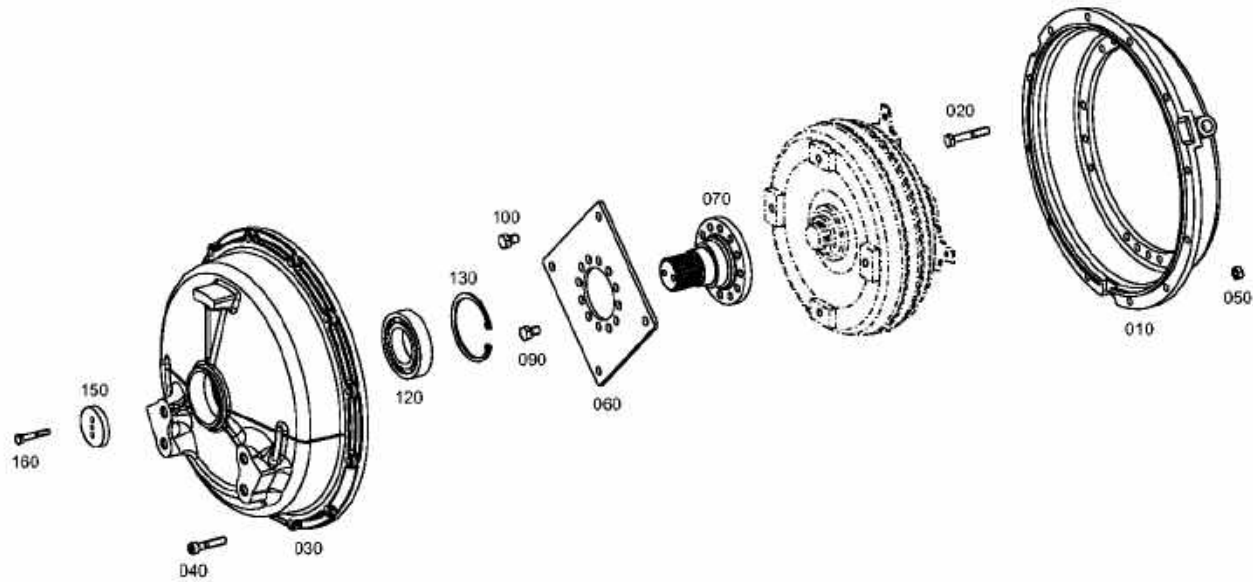
Material number: 4656.054.117

Plant: 465613002300

Material-assembly-group-no: 4656.130.023



4 WG 160 /
ENGINE CONNECTION



Parts list

Page 1 from 1



4 WG 160 /

Material number: 4656.054.117

Plant: 465613002300

Material-assembly-group-no: 4656.130.023

Pos.	Material number	Customer material	Name	Quantity	ME	Amend. no.	Techn. Info.	Rep kit	Alternative material
10	4656.330.008		CONVERTER BELL	1			D-TEIL		
20	0636.100.713		HEXAGON SCREW	18			M10X65		
30	4657.330.037	9304580	COVER	1					
40	0636.100.801	REPLACEMENT FOR 0636.101.115	CAP SCREW	12			M10X50		
50	0637.006.281		HEXAGON NUT	12		Z00015425010	M10		
60	4657.330.005	9300177	DIAPHRAGM	1					
70	4657.330.053	9305013	INPUT SHAFT	1		K01306/0610	Z=24		
90	0636.102.411		HEXAGON SCREW	12			M12X18		
100	0636.102.411		HEXAGON SCREW	4			M12X18		
120	0750.116.221	9304583	BALL BEARING	1			55,000X100,000X21,000		
130	0630.532.157	9304584	V-RING	1					
150	4627.303.027	1000002070	WASHER	1					
160	0636.100.722		HEXAGON SCREW	2			M8X50		

Plant

Page 1 from 1

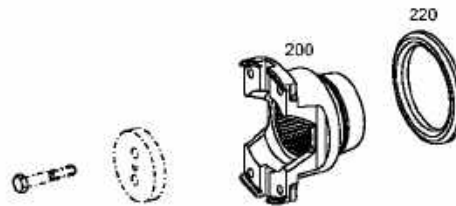
Material number: 4656.054.117

Plant: 465613040100

Material-assembly-group-no: 4656.130.401



4 WG 160 /
ENGINE CONNECTION



Parts list

Page 1 from 1



4 WG 160 /

Material number: 4656.054.117

Plant: 465613040100

Material-assembly-group-no: 4656.130.401

Pos.	Material number	Customer material	Name	Quantity	ME	Amend. no.	Techn. Info.	Rep kit	Alternative material
200	4644.330.132	1000003893	INPUT FLANGE	1			MECHANIC 5C Z=24		
220	4657.330.042	9302029	SCREEN SHEET	1		K00197/0210	S=2,0		

Plant

Page 1 from 1

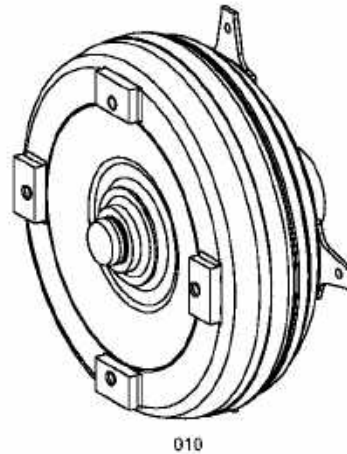
Material number: 4656.054.117

Plant: 416603018500

Material-assembly-group-no: 4166.030.185



4 WG 160 /
CONVERTER



Parts list

Page 1 from 1



4 WG 160 /

Material number: 4656.054.117

Plant: 416603018500

Material-assembly-group-no: 4166.030.185

Pos.	Material number	Customer material	Name	Quantity	ME	Amend. no.	Techn. Info.	Rep kit	Alternative material
10	4168.030.264	84141993	CONVERTER	1					

Plant

Page 1 from 1

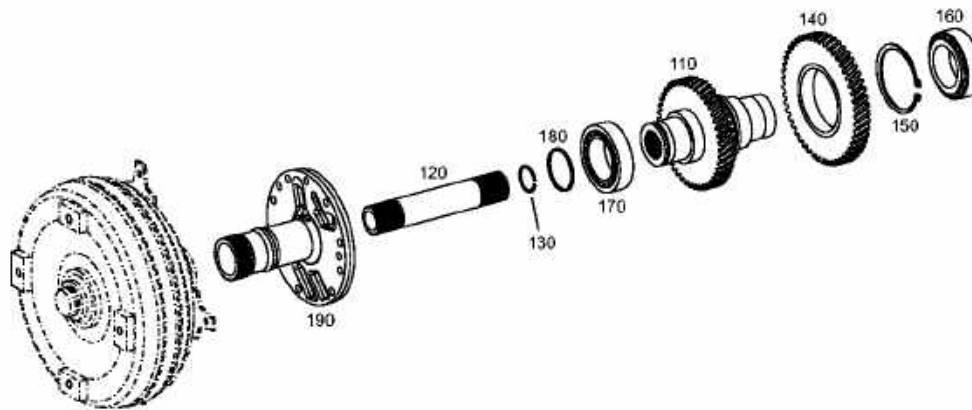
Material number: 4656.054.117

Plant: 465610202300

Material-assembly-group-no: 4656.102.023



4 WG 160 /
INPUT



Parts list

Page 1 from 1



4 WG 160 /

Material number: 4656.054.117

Plant: 465610202300

Material-assembly-group-no: 4656.102.023

Pos.	Material number	Customer material	Name	Quantity	ME	Amend. no.	Techn. Info.	Rep kit	Alternative material
110	4656.302.022	9301448	INPUT SHAFT	1			Z=51*Z=30		
120	4656.302.010	9301449	TURBINE SHAFT	1					
130	0630.513.099	9301450	SNAP RING	1					
140	4656.302.014	8603299	INPUT GEAR	1			Z=61		
150	0630.501.054	1000003751	RETAINING RING	1			90X3		
160	0750.117.905	9301452	TAPERED ROLLER BEARING	1		Z00009825310	60,000X95,000X27,000		
170	0750.117.905	9301452	TAPERED ROLLER BEARING	1		Z00009825310	60,000X95,000X27,000		
180	0634.402.557		R-RING	1			60X3		
190	4656.302.036	9305015	STATOR SHAFT	1		K04309/0710	Z=46		

Plant

Page 1 from 2

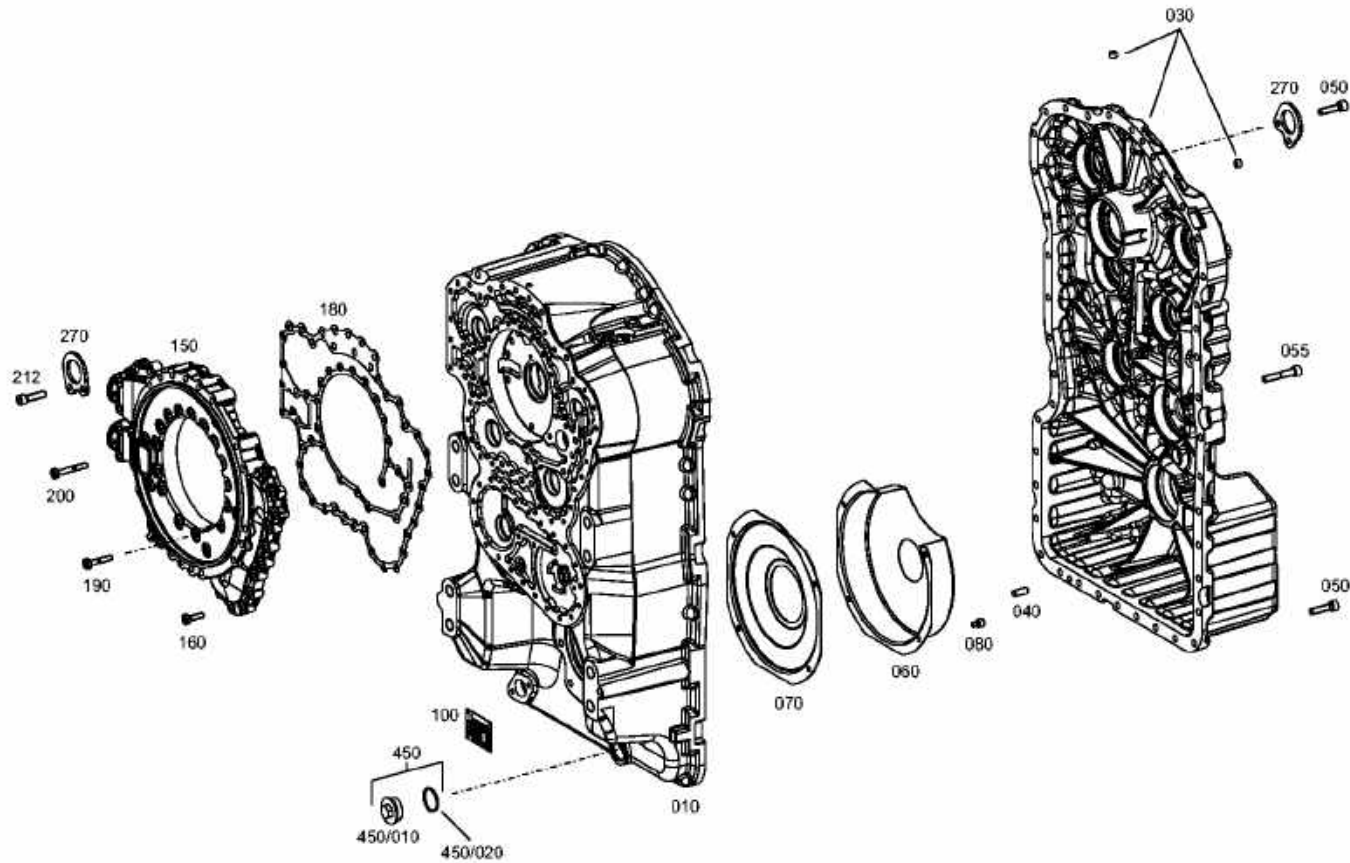
Material number: 4656.054.117

Plant: 465610105001

Material-assembly-group-no: 4656.101.050



4 WG 160 /
TRANSMISSION HOUSING



Plant

Page 2 from 2

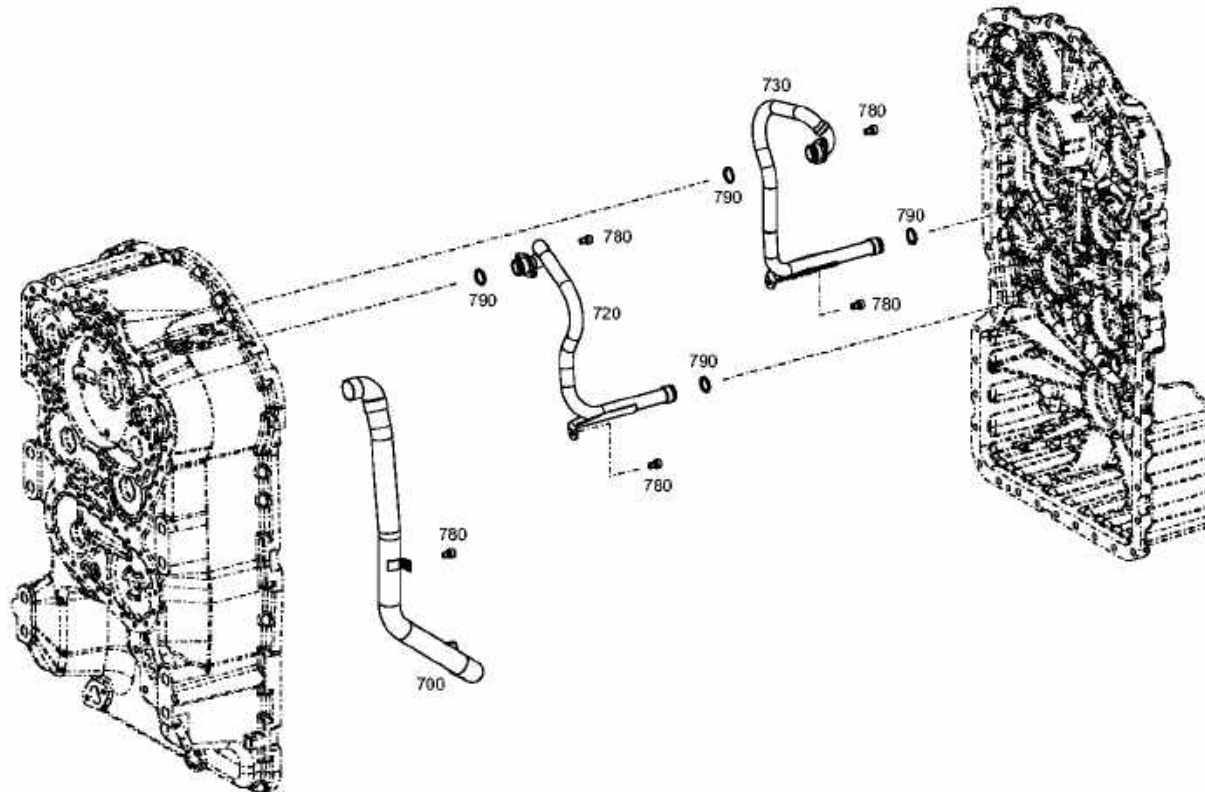
Material number: 4656.054.117

Plant: 465610105002

Material-assembly-group-no: 4656.101.050



4 WG 160 /
TRANSMISSION HOUSING



Parts list

Page 1 from 1



4 WG 160 /

Material number: 4656.054.117

Plant: 465610105001

Material-assembly-group-no: 4656.101.050

Pos.	Material number	Customer material	Name	Quantity	ME	Amend. no.	Techn. Info.	Rep kit	Alternative material
10	4656.201.032	T244795	HOUS.FRONT SECT	1			KPL.		
30	4472.239.195		HOUSING REAR PART	1					
30	4656.201.048		HOUSING REAR PART						4472.239.195
40	0631.306.816	VOE15077503	CYLINDRICAL PIN	2			10X24		
50	0636.100.816		CAP SCREW	35			M10X40		
55	0636.100.817		CAP SCREW	6			M10X60		
60	4656.301.016	8603304	SCREEN SHEET	1					
70	4656.301.017	ZGAQ-01404	SCREEN SHEET	1					
80	0636.100.803		CAP SCREW	4			M8X12		
100	0730.365.092		TYPE PLATE	1			ZF-Standard/Passau		
150	4656.301.047	87712648	OIL FEED.HOUSG.	1					
160	0736.300.233		TORX SCREW	15			M8X30		
180	4656.301.023	9301468	GASKET	1					
190	0736.300.182		TORX SCREW	21			M8X45 M8X45		
200	0736.300.183		TORX SCREW	4			M8X60 M8X60		
212	0636.100.816		CAP SCREW	2			M10X40		
270	4656.301.018	A138608	FIXING PLATE	2					
450	4475.280.216	8603319	SCREW PLUG	1					
/20	0634.314.304	9301477	O-RING	1			35X2		
700	0501.218.765	420406-00901	SUCTION TUBE	1		Z00009825310			
720	0501.213.156	0501 213 156	OIL TUBE	1					
730	0501.213.157	8605281	OIL TUBE	1					
780	0636.100.803		CAP SCREW	7			M8X12		
790	0634.306.213	1000000285	O-RING	4			22X3		

Plant

Page 1 from 1

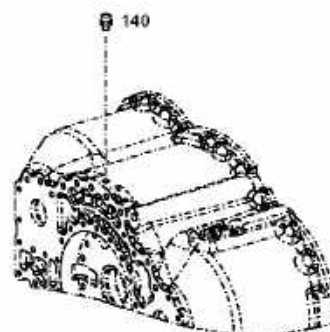
Material number: 4656.054.117

Plant: 465710140800

Material-assembly-group-no: 4657.101.408



4 WG 160 /
TRANSMISSION HOUSING



Parts list

Page 1 from 1



4 WG 160 /

Material number: 4656.054.117

Plant: 465710140800

Material-assembly-group-no: 4657.101.408

Pos.	Material number	Customer material	Name	Quantity	ME	Amend. no.	Techn. Info.	Rep kit	Alternative material
140	0750.131.027	50359078	BREATHER	1					

Plant

Page 1 from 1

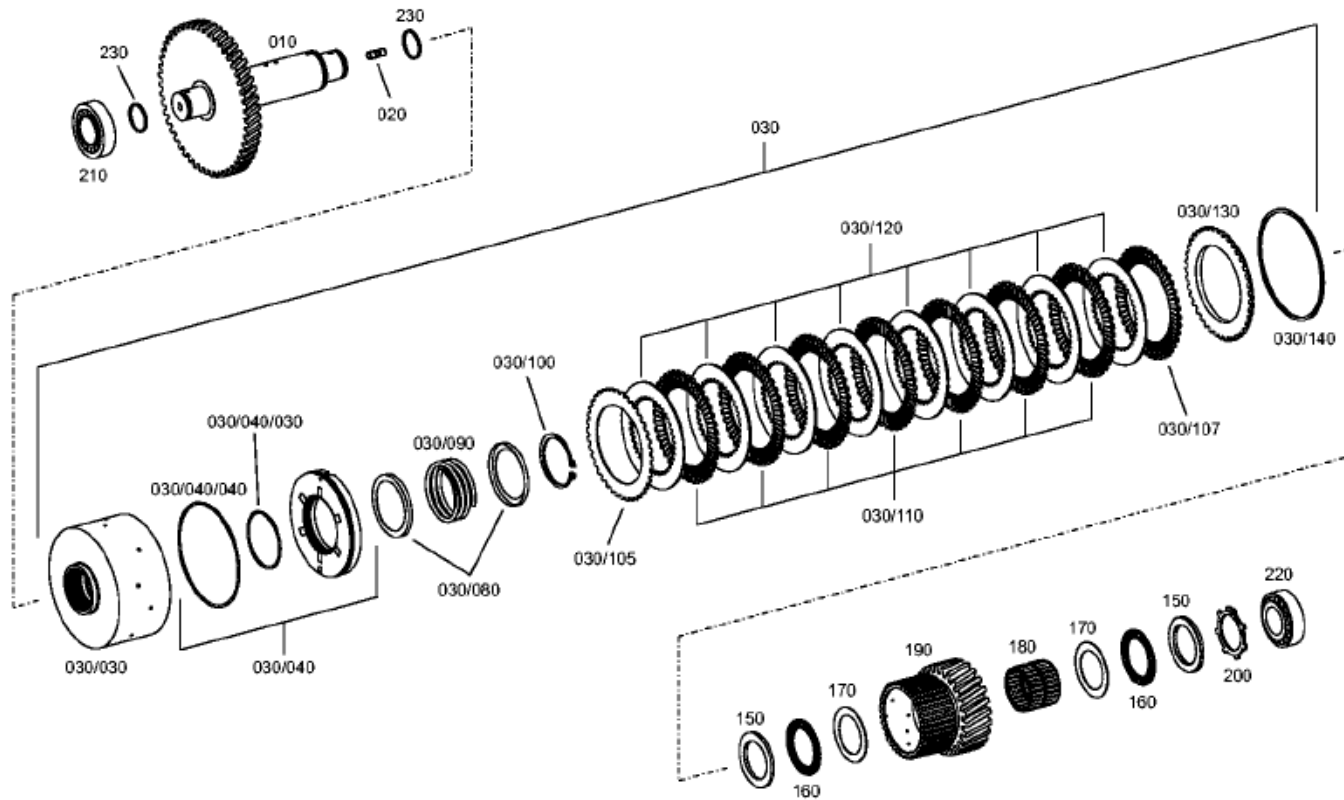
Material number: 4656.054.117

Plant: 465617105000

Material-assembly-group-no: 4656.171.050



4 WG 160 /
COUPLING



Parts list

Page 1 from 2



4 WG 160 /

Material number: 4656.054.117

Plant: 465617105000

Material-assembly-group-no: 4656.171.050

Pos.	Material number	Customer material	Name	Quantity	ME	Amend. no.	Techn. Info.	Rep kit	Alternative material
10	4656.371.057	84395227	SHAFT	1		Z00009825310	Z=64		
20	0636.607.039	8603407	STUD	1			M10X16		
30	4656.271.005	8603664	CLUTCH BODY	1					
/30	4656.371.048	T244798	DISC CARRIER	1			D-TEIL*Z=44		
/40	4657.275.006	ZGAQ-00849	PISTON	1			KPL.		
//30	0634.313.643	8603409	O-RING	1			75X3		
//40	0634.313.719	8603410	O-RING	1			142X3		
/80	4656.371.022	331384A1	GUIDE RING	2					
/90	0732.042.654	ZGAQ-01933	COMPRESSION SPRING	1					
/100	0630.501.046	1239942	RETAINING RING	1			70X2,5		
/105	0501.212.373	KD41416001	OUTER CLUTCH DISK	1					
/107	0501.212.373	KD41416001	OUTER CLUTCH DISK	1					
/110	0501.212.372	KD41416002	DISC	7			h=2.5		
/120	0501.316.591	ZGAQ-00853	INNER CLUTCH DISK	8					
/130	0750.101.183	550/42964	END SHIM	1			159,0X8		
/140	---		SNAP RING	1					
---	0730.513.684	ZGAQ-00855	SNAP RING	1			h=2,10		
---	0730.513.685	1.115-00321	SNAP RING	1			h=2,25		
---	0730.513.686	8603417	SNAP RING	1			h=2,40		
---	0730.513.687	ZGAQ-00858	SNAP RING	1			h=2,55		
---	0730.513.688	1.115-00327	SNAP RING	1			h=2,70		
---	0730.513.698	ZGAQ-00860	SNAP RING	1			h=2.85		
---	0730.513.689	1.115-00331	SNAP RING	1			h=3,00		
---	0730.513.690	ZGAQ-00862	SNAP RING	1			h=3,15		
---	0730.513.691	ZGAQ-00863	SNAP RING	1			h=3,30		
---	0730.513.692	8603424	SNAP RING	1			h=3,45		
---	0730.513.693	ZGAQ-00865	SNAP RING	1			h=3,60		
---	0730.513.694	1.115-00341	SNAP RING	1			h=3,75		
---	0730.513.695	1.115-00343	SNAP RING	1			h=3,90		
---	0730.513.696	8603428	SNAP RING	1			h=4,05		
---	0730.513.697	ZGAQ-00869	SNAP RING	1			h=4,20		
150	0635.290.114	8603430	RUNNING DISK	2			55X78X5		
160	0735.368.076	8603431	AXIAL NEEDLE CAGE	2			55,0X78,0X3,0		
170	0635.290.012	8603432	AXIAL WASHER	2			55X78X1		

Parts list

Page 2 from 2



4 WG 160 /

Material number: 4656.054.117

Plant: 465617105000

Material-assembly-group-no: 4656.171.050

Pos.	Material number	Customer material	Name	Quantity	ME	Amend. no.	Techn. Info.	Rep kit	Alternative material
180	0735.321.508	8603643	NEEDLE CAGE	1			K 55,0X63,0X50,0		
190	4656.371.040	ZGAQ-01413	IDLER	1			Z=30		
200	0501.316.378	1.115-00015	RETAINING RING	1					
210	0750.117.906	VOE15078595	TAPERED ROLLER BEARING	1		Z00009825310	39,688X76,200X23,812		
220	0750.117.906	VOE15078595	TAPERED ROLLER BEARING	1		Z00009825310	39,688X76,200X23,812		
230	0734.401.267	A138654	PISTON RING	2					

Parts list

Page 1 from 2



4 WG 160 /

Material number: 4656.054.117

Plant: 465617203900

Material-assembly-group-no: 4656.172.039

Pos.	Material number	Customer material	Name	Quantity	ME	Amend. no.	Techn. Info.	Rep kit	Alternative material
10	4656.372.074	84395231	SHAFT	1		Z00009825310	Z=56		
20	0636.607.039	8603407	STUD	1			M10X16		
30	4656.272.007	87560263	COUPLING	1			K2/K3 4/6WG160 KPL. RF=16		
/30	4656.372.030	9305032	DISC CARRIER	1			D-TEIL*Z=27		
/40	4656.272.003	9305033	PISTON	1			KPL. K2/K3/K4		
//30	0634.313.574	99707034427	O-RING	1			64X3		
//40	0634.313.498	999001812	O-RING	1			120X3		
/80	4642.308.083	1000002083	GUIDE RING	2					
/90	0732.041.183	1000000890	COMPRESSION SPRING	1					
/100	0630.501.040	1239967	RETAINING RING	1			58X2		
/105	0501.212.368	KD41414001	FRICTION DISC	1					
/108	0501.212.368	KD41414001	FRICTION DISC	1					
/110	0501.212.369	KD41414002	DISC	7					
/120	0501.316.590	9305036	INNER CLUTCH DISK	8					
/130	0750.101.181	ZGAQ-01947	END SHIM	1			137,5X6		
/140	---		SNAP RING	1					
---	0730.513.456	185446A1	SNAP RING	1			A=2,10 IN 0730 513 415(2)		
---	0730.513.420	185439A1	SNAP RING	1			A=2,25 IN 0730 513 415(2)		
---	0730.513.417	185442A1	SNAP RING	1			A=2,40 IN 0730 513 415(2)		
---	0730.513.668	ZGAQ-01951	SNAP RING	1			A=2,55		
---	0730.513.669	331425A1	SNAP RING	1			A=2,70		
---	0730.513.670	ZGAQ-01953	SNAP RING	1			A=2,85		
---	0730.513.671	0730 513 671	SNAP RING	1			A=3,00		
---	0730.513.672	ZGAQ-01955	SNAP RING	1			A=3,15		
---	0730.513.673	ZGAQ-01956	SNAP RING	1			A=3,30		
---	0730.513.674	ZGAQ-01957	SNAP RING	1			A=3,45		
---	0730.513.675	331431A1	SNAP RING	1			A=3,60		
---	0730.513.676	ZGAQ-01959	SNAP RING	1			A=3,75		
---	0730.513.677	0730 513 677	SNAP RING	1			A=3,90		
---	0730.513.678	331434A1	SNAP RING	1			A=4,05		
---	0730.513.679	ZGAQ-01962	SNAP RING	1			A=4,20		
150	0635.290.079	8603438	RUNNING DISK	2			50X70X4		
160	0735.368.077	8603439	AXIAL NEEDLE BEARING	2			50,0X70,0X3,0 FA.INA		
170	0635.290.020	8603440	AXIAL WASHER	2			50X70X1		

Parts list

Page 2 from 2



4 WG 160 /

Material number: 4656.054.117

Plant: 465617203900

Material-assembly-group-no: 4656.172.039

Pos.	Material number	Customer material	Name	Quantity	ME	Amend. no.	Techn. Info.	Rep kit	Alternative material
180	0735.321.410	8603441	NEEDLE CAGE	2					
190	4656.372.028	ZGAQ-01421	IDLER	1			Z=27		
200	0501.316.377	331441A1	RETAINING RING	1					
210	0750.117.906	VOE15078595	TAPERED ROLLER BEARING	1		Z00009825310	39,688X76,200X23,812		
220	0750.117.906	VOE15078595	TAPERED ROLLER BEARING	1		Z00009825310	39,688X76,200X23,812		
230	0734.401.267	A138654	PISTON RING	2					

Plant

Page 1 from 1

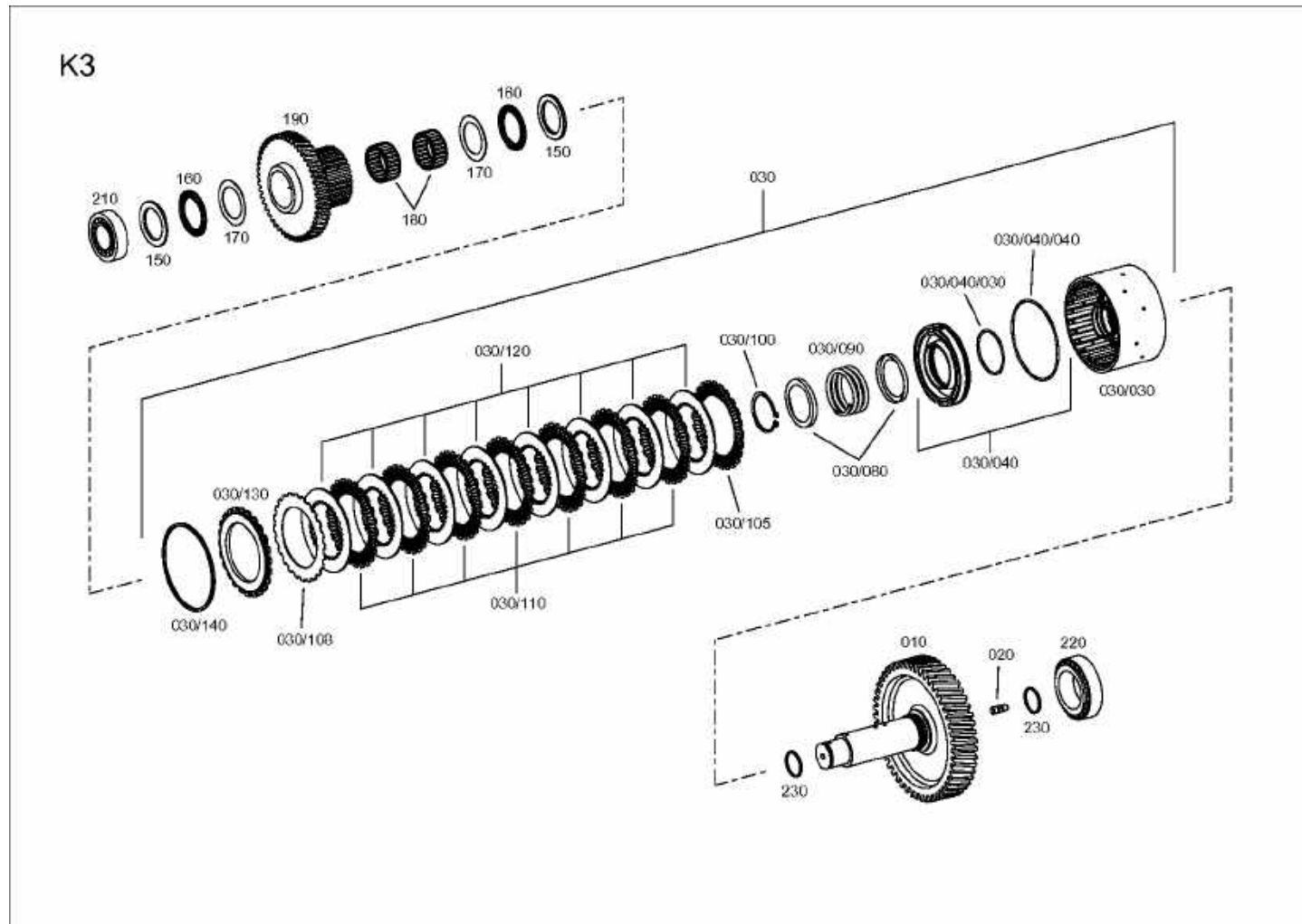
Material number: 4656.054.117

Plant: 465617304500

Material-assembly-group-no: 4656.173.045



4 WG 160 /
COUPLING



Parts list

Page 1 from 2



4 WG 160 /

Material number: 4656.054.117

Plant: 465617304500

Material-assembly-group-no: 4656.173.045

Pos.	Material number	Customer material	Name	Quantity	ME	Amend. no.	Techn. Info.	Rep kit	Alternative material
10	4656.373.029	84395234	SHAFT	1		Z00009825310	Z=53*D-TEIL		
20	0636.607.039	8603407	STUD	1			M10X16		
30	4656.272.007	87560263	COUPLING	1			K2/K3 4/6WG160 KPL. RF=16		
/30	4656.372.030	9305032	DISC CARRIER	1			D-TEIL*Z=27		
/40	4656.272.003	9305033	PISTON	1			KPL. K2/K3/K4		
//30	0634.313.574	99707034427	O-RING	1			64X3		
//40	0634.313.498	999001812	O-RING	1			120X3		
/80	4642.308.083	1000002083	GUIDE RING	2					
/90	0732.041.183	1000000890	COMPRESSION SPRING	1					
/100	0630.501.040	1239967	RETAINING RING	1			58X2		
/105	0501.212.368	KD41414001	FRICTION DISC	1					
/108	0501.212.368	KD41414001	FRICTION DISC	1					
/110	0501.212.369	KD41414002	DISC	7					
/120	0501.316.590	9305036	INNER CLUTCH DISK	8					
/130	0750.101.181	ZGAQ-01947	END SHIM	1			137,5X6		
/140	---		SNAP RING	1					
---	0730.513.456	185446A1	SNAP RING	1			A=2,10 IN 0730 513 415(2)		
---	0730.513.420	185439A1	SNAP RING	1			A=2,25 IN 0730 513 415(2)		
---	0730.513.417	185442A1	SNAP RING	1			A=2,40 IN 0730 513 415(2)		
---	0730.513.668	ZGAQ-01951	SNAP RING	1			A=2,55		
---	0730.513.669	331425A1	SNAP RING	1			A=2,70		
---	0730.513.670	ZGAQ-01953	SNAP RING	1			A=2,85		
---	0730.513.671	0730 513 671	SNAP RING	1			A=3,00		
---	0730.513.672	ZGAQ-01955	SNAP RING	1			A=3,15		
---	0730.513.673	ZGAQ-01956	SNAP RING	1			A=3,30		
---	0730.513.674	ZGAQ-01957	SNAP RING	1			A=3,45		
---	0730.513.675	331431A1	SNAP RING	1			A=3,60		
---	0730.513.676	ZGAQ-01959	SNAP RING	1			A=3,75		
---	0730.513.677	0730 513 677	SNAP RING	1			A=3,90		
---	0730.513.678	331434A1	SNAP RING	1			A=4,05		
---	0730.513.679	ZGAQ-01962	SNAP RING	1			A=4,20		
150	0635.290.079	8603438	RUNNING DISK	2			50X70X4		
160	0735.368.077	8603439	AXIAL NEEDLE BEARING	2			50,0X70,0X3,0 FA.INA		
170	0635.290.020	8603440	AXIAL WASHER	2			50X70X1		

Parts list

Page 2 from 2



4 WG 160 /

Material number: 4656.054.117

Plant: 465617304500

Material-assembly-group-no: 4656.173.045

Pos.	Material number	Customer material	Name	Quantity	ME	Amend. no.	Techn. Info.	Rep kit	Alternative material
180	0735.321.410	8603441	NEEDLE CAGE	2					
190	4656.373.009	8603444	IDLER	1			Z=55		
210	0750.117.906	VOE15078595	TAPERED ROLLER BEARING	1		Z00009825310	39,688X76,200X23,812		
220	0750.117.905	9301452	TAPERED ROLLER BEARING	1		Z00009825310	60,000X95,000X27,000		
230	0734.401.267	A138654	PISTON RING	2					

Plant

Page 1 from 1

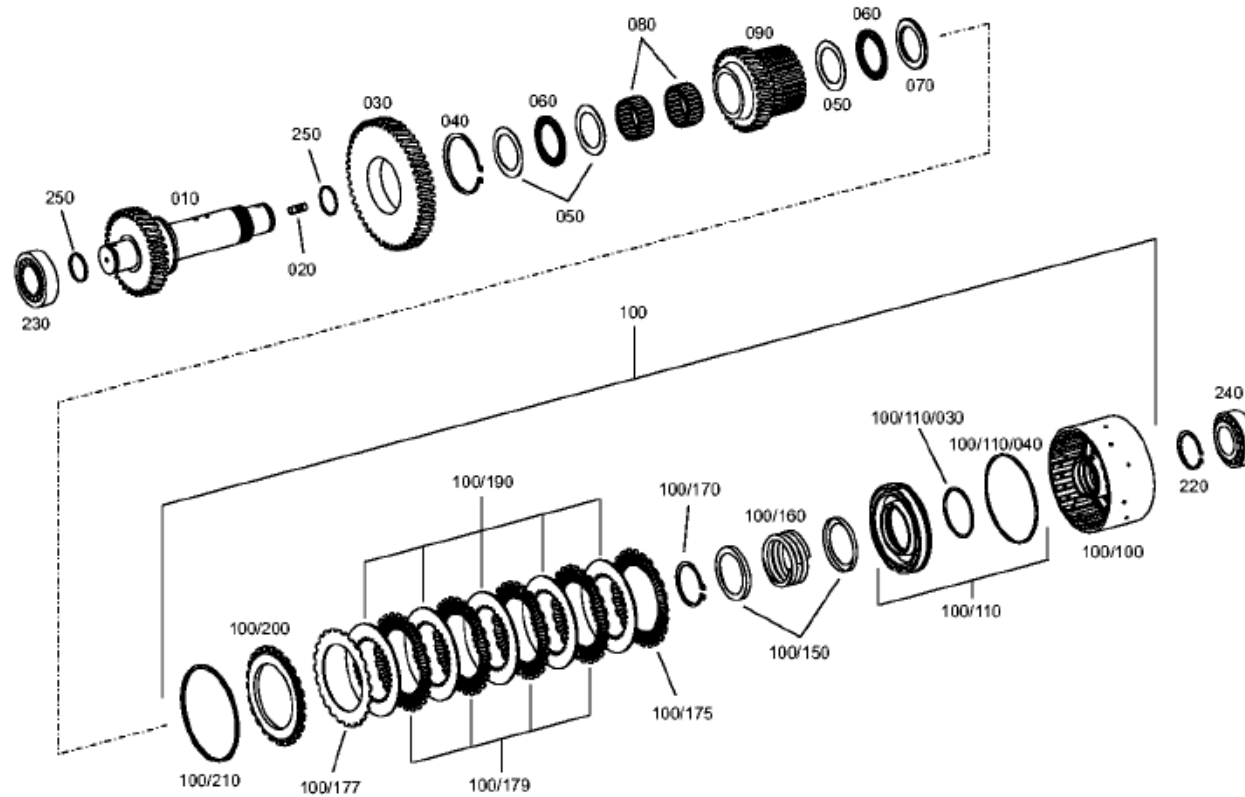
Material number: 4656.054.117

Plant: 465617403500

Material-assembly-group-no: 4656.174.035



4 WG 160 /
COUPLING



Parts list

Page 1 from 2



4 WG 160 /

Material number: 4656.054.117

Plant: 465617403500

Material-assembly-group-no: 4656.174.035

Pos.	Material number	Customer material	Name	Quantity	ME	Amend. no.	Techn. Info.	Rep kit	Alternative material
10	4656.374.041	130712-00917	SHAFT	1		Z00009825310	Z=38*Z=34		
20	0636.607.039	8603407	STUD	1			M10X16		
30	4656.374.014	ZGAQ-01428	GEAR	1			Z=61		
40	0630.501.050	8900125218	RETAINING RING	1			80X2,5		
50	0635.290.020	8603440	AXIAL WASHER	3			50X70X1		
60	0735.368.077	8603439	AXIAL NEEDLE BEARING	2			50,0X70,0X3,0 FA.INA		
70	0635.290.079	8603438	RUNNING DISK	1			50X70X4		
80	0735.321.410	8603441	NEEDLE CAGE	2					
90	4656.374.017	ZGAQ-01429	IDLER	1			Z=37		
100	4656.274.002	550/41298	COUPLING	1			KPL.K4 4WG-130/160 RF=10		
/100	4656.374.035	T244800	DISC CARRIER	1			Z=27		
/110	4656.272.003	9305033	PISTON	1			KPL. K2/K3/K4		
//30	0634.313.574	99707034427	O-RING	1			64X3		
//40	0634.313.498	999001812	O-RING	1			120X3		
/150	4642.308.083	1000002083	GUIDE RING	2					
/160	0732.041.183	1000000890	COMPRESSION SPRING	1					
/170	0630.501.040	1239967	RETAINING RING	1			58X2		
/175	0501.212.368	KD41414001	FRICTION DISC	1					
/177	0501.212.368	KD41414001	FRICTION DISC	1					
/179	0501.212.369	KD41414002	DISC	4					
/190	0501.316.590	9305036	INNER CLUTCH DISK	5					
/200	0750.101.181	ZGAQ-01947	END SHIM	1			137,5X6		
/210	---		SNAP RING	1					
---	0730.513.456	185446A1	SNAP RING	1			A=2,10 IN 0730 513 415(2)		
---	0730.513.420	185439A1	SNAP RING	1			A=2,25 IN 0730 513 415(2)		
---	0730.513.417	185442A1	SNAP RING	1			A=2,40 IN 0730 513 415(2)		
---	0730.513.668	ZGAQ-01951	SNAP RING	1			A=2,55		
---	0730.513.669	331425A1	SNAP RING	1			A=2,70		
---	0730.513.670	ZGAQ-01953	SNAP RING	1			A=2,85		
---	0730.513.671	0730 513 671	SNAP RING	1			A=3,00		
---	0730.513.672	ZGAQ-01955	SNAP RING	1			A=3,15		
---	0730.513.673	ZGAQ-01956	SNAP RING	1			A=3,30		
---	0730.513.674	ZGAQ-01957	SNAP RING	1			A=3,45		
---	0730.513.675	331431A1	SNAP RING	1			A=3,60		

Parts list

Page 2 from 2



4 WG 160 /

Material number: 4656.054.117

Plant: 465617403500

Material-assembly-group-no: 4656.174.035

Pos.	Material number	Customer material	Name	Quantity	ME	Amend. no.	Techn. Info.	Rep kit	Alternative material
---	0730.513.676	ZGAQ-01959	SNAP RING	1			A=3,75		
---	0730.513.677	0730 513 677	SNAP RING	1			A=3,90		
---	0730.513.678	331434A1	SNAP RING	1			A=4,05		
---	0730.513.679	ZGAQ-01962	SNAP RING	1			A=4,20		
220	0630.501.035	1000002633	RETAINING RING	1			50X2		
230	0750.117.906	VOE15078595	TAPERED ROLLER BEARING	1		Z00009825310	39,688X76,200X23,812		
240	0750.117.906	VOE15078595	TAPERED ROLLER BEARING	1		Z00009825310	39,688X76,200X23,812		
250	0734.401.267	A138654	PISTON RING	2					

Plant

Page 1 from 1

Material number: 4656.054.117

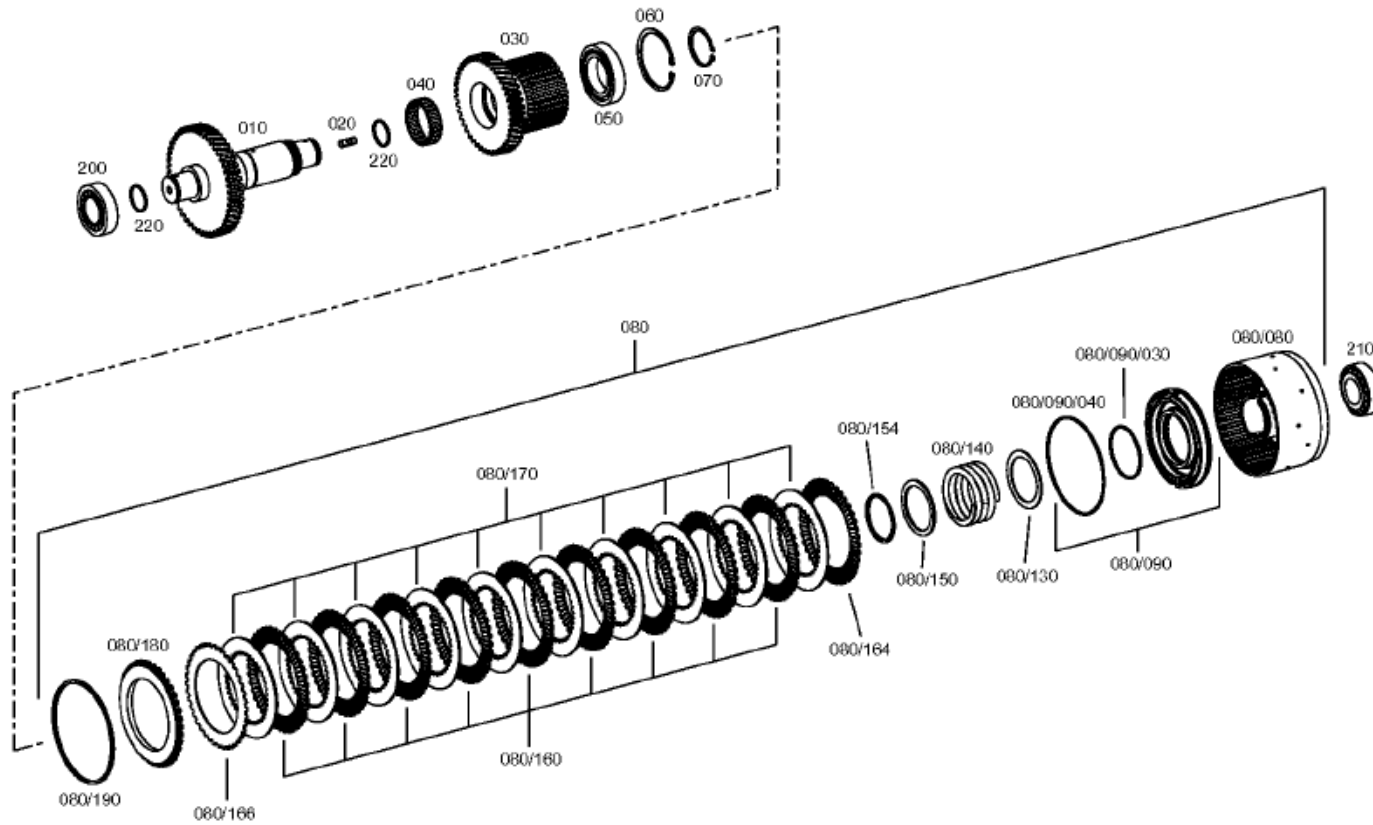
Plant: 465617504800

Material-assembly-group-no: 4656.175.048



4 WG 160 /
CLUTCH

KV



Parts list

Page 1 from 2



4 WG 160 /

Material number: 4656.054.117

Plant: 465617504800

Material-assembly-group-no: 4656.175.048

Pos.	Material number	Customer material	Name	Quantity	ME	Amend. no.	Techn. Info.	Rep kit	Alternative material
10	4656.375.030	130712-00918	SHAFT	1		Z00009825310	Z=55		
20	0636.607.039	8603407	STUD	1			M10X16		
30	4656.375.016	A138672	IDLER	1			Z=49		
40	0735.321.408	331478A1	NEEDLE CAGE	1			K 60,0X68,0X20,0		
50	0735.301.814		BALL BEARING	1			55,000X90,000X18,000		
60	0630.502.042	1000000216	RETAINING RING	1			90X3		
70	0630.501.038	1000000210	RETAINING RING	1			55X2		
80	4656.275.010	ZGAQ-02837	COUPLING	1			KPL.KV/KR 3/4WG-160L RF=20		
/80	4656.375.029	ZGAQ-02827	DISC CARRIER	1			Z=44		
/90	4657.275.006	ZGAQ-00849	PISTON	1			KPL.		
//30	0634.313.643	8603409	O-RING	1			75X3		
//40	0634.313.719	8603410	O-RING	1			142X3		
/130	0730.110.373	8603453	WASHER	1					
/140	0732.042.711	8603454	COMPRESSION SPRING	1					
/150	0730.011.028	84141982	SUPPORTING RING	1					
/154	0501.324.228	84141985	L-RING	1					
/160	0501.212.372	KD41416002	DISC	9			h=2.5		
/164	0501.212.373	KD41416001	OUTER CLUTCH DISK	1					
/166	0501.212.373	KD41416001	OUTER CLUTCH DISK	1					
/170	0501.316.591	ZGAQ-00853	INNER CLUTCH DISK	10					
/180	0750.101.183	550/42964	END SHIM	1			159,0X8		
/190	---		SNAP RING	1					
---	0730.513.684	ZGAQ-00855	SNAP RING	1			h=2,10		
---	0730.513.685	1.115-00321	SNAP RING	1			h=2,25		
---	0730.513.686	8603417	SNAP RING	1			h=2,40		
---	0730.513.687	ZGAQ-00858	SNAP RING	1			h=2,55		
---	0730.513.688	1.115-00327	SNAP RING	1			h=2,70		
---	0730.513.698	ZGAQ-00860	SNAP RING	1			h=2.85		
---	0730.513.689	1.115-00331	SNAP RING	1			h=3,00		
---	0730.513.690	ZGAQ-00862	SNAP RING	1			h=3,15		
---	0730.513.691	ZGAQ-00863	SNAP RING	1			h=3,30		
---	0730.513.692	8603424	SNAP RING	1			h=3,45		
---	0730.513.693	ZGAQ-00865	SNAP RING	1			h=3,60		
---	0730.513.694	1.115-00341	SNAP RING	1			h=3,75		

Parts list

Page 2 from 2



4 WG 160 /

Material number: 4656.054.117

Plant: 465617504800

Material-assembly-group-no: 4656.175.048

Pos.	Material number	Customer material	Name	Quantity	ME	Amend. no.	Techn. Info.	Rep kit	Alternative material
---	0730.513.695	1.115-00343	SNAP RING	1			h=3,90		
---	0730.513.696	8603428	SNAP RING	1			h=4,05		
---	0730.513.697	ZGAQ-00869	SNAP RING	1			h=4,20		
200	0750.117.906	VOE15078595	TAPERED ROLLER BEARING	1		Z00009825310	39,688X76,200X23,812		
210	0750.117.906	VOE15078595	TAPERED ROLLER BEARING	1		Z00009825310	39,688X76,200X23,812		
220	0734.401.267	A138654	PISTON RING	2					

Plant

Page 1 from 1

Material number: 4656.054.117

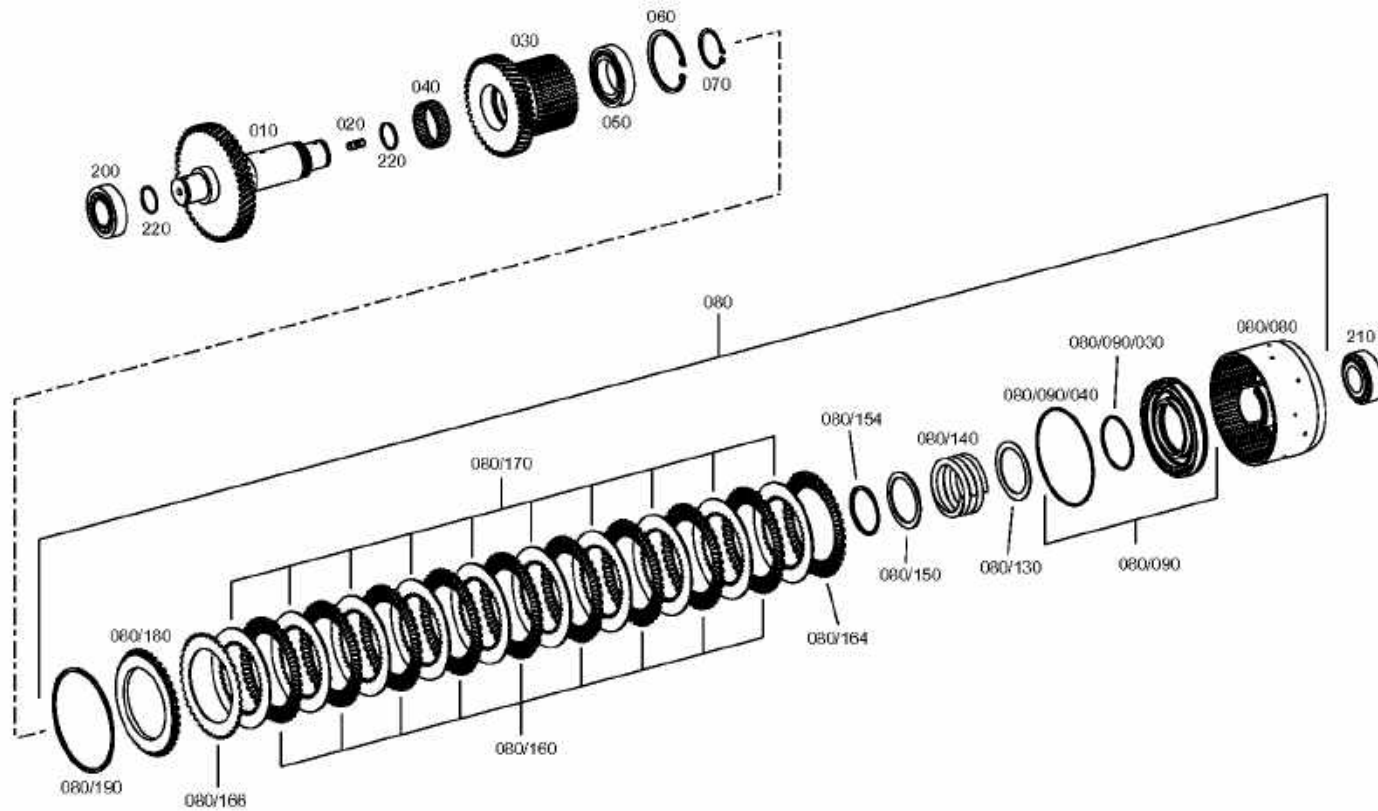
Plant: 465617605800

Material-assembly-group-no: 4656.176.058



4 WG 160 /
CLUTCH

KR



Parts list

Page 1 from 2



4 WG 160 /

Material number: 4656.054.117

Plant: 465617605800

Material-assembly-group-no: 4656.176.058

Pos.	Material number	Customer material	Name	Quantity	ME	Amend. no.	Techn. Info.	Rep kit	Alternative material
10	4656.376.011	8603457	SHAFT	1		Z00009825310	Z=58		
20	0636.607.039	8603407	STUD	1			M10X16		
30	4656.375.016	A138672	IDLER	1			Z=49		
40	0735.321.408	331478A1	NEEDLE CAGE	1			K 60,0X68,0X20,0		
50	0735.301.814		BALL BEARING	1			55,000X90,000X18,000		
60	0630.502.042	1000000216	RETAINING RING	1			90X3		
70	0630.501.038	1000000210	RETAINING RING	1			55X2		
80	4656.275.010	ZGAQ-02837	COUPLING	1			KPL.KV/KR 3/4WG-160L RF=20		
/80	4656.375.029	ZGAQ-02827	DISC CARRIER	1			Z=44		
/90	4657.275.006	ZGAQ-00849	PISTON	1			KPL.		
//30	0634.313.643	8603409	O-RING	1			75X3		
//40	0634.313.719	8603410	O-RING	1			142X3		
/130	0730.110.373	8603453	WASHER	1					
/140	0732.042.711	8603454	COMPRESSION SPRING	1					
/150	0730.011.028	84141982	SUPPORTING RING	1					
/154	0501.324.228	84141985	L-RING	1					
/160	0501.212.372	KD41416002	DISC	9			h=2.5		
/164	0501.212.373	KD41416001	OUTER CLUTCH DISK	1					
/166	0501.212.373	KD41416001	OUTER CLUTCH DISK	1					
/170	0501.316.591	ZGAQ-00853	INNER CLUTCH DISK	10					
/180	0750.101.183	550/42964	END SHIM	1			159,0X8		
/190	---		SNAP RING	1					
---	0730.513.684	ZGAQ-00855	SNAP RING	1			h=2,10		
---	0730.513.685	1.115-00321	SNAP RING	1			h=2,25		
---	0730.513.686	8603417	SNAP RING	1			h=2,40		
---	0730.513.687	ZGAQ-00858	SNAP RING	1			h=2,55		
---	0730.513.688	1.115-00327	SNAP RING	1			h=2,70		
---	0730.513.698	ZGAQ-00860	SNAP RING	1			h=2.85		
---	0730.513.689	1.115-00331	SNAP RING	1			h=3,00		
---	0730.513.690	ZGAQ-00862	SNAP RING	1			h=3,15		
---	0730.513.691	ZGAQ-00863	SNAP RING	1			h=3,30		
---	0730.513.692	8603424	SNAP RING	1			h=3,45		
---	0730.513.693	ZGAQ-00865	SNAP RING	1			h=3,60		
---	0730.513.694	1.115-00341	SNAP RING	1			h=3,75		

Parts list

Page 2 from 2



4 WG 160 /

Material number: 4656.054.117

Plant: 465617605800

Material-assembly-group-no: 4656.176.058

Pos.	Material number	Customer material	Name	Quantity	ME	Amend. no.	Techn. Info.	Rep kit	Alternative material
---	0730.513.695	1.115-00343	SNAP RING	1			h=3,90		
---	0730.513.696	8603428	SNAP RING	1			h=4,05		
---	0730.513.697	ZGAQ-00869	SNAP RING	1			h=4,20		
200	0750.117.906	VOE15078595	TAPERED ROLLER BEARING	1		Z00009825310	39,688X76,200X23,812		
210	0750.117.906	VOE15078595	TAPERED ROLLER BEARING	1		Z00009825310	39,688X76,200X23,812		
220	0734.401.267	A138654	PISTON RING	2					

Plant

Page 1 from 1

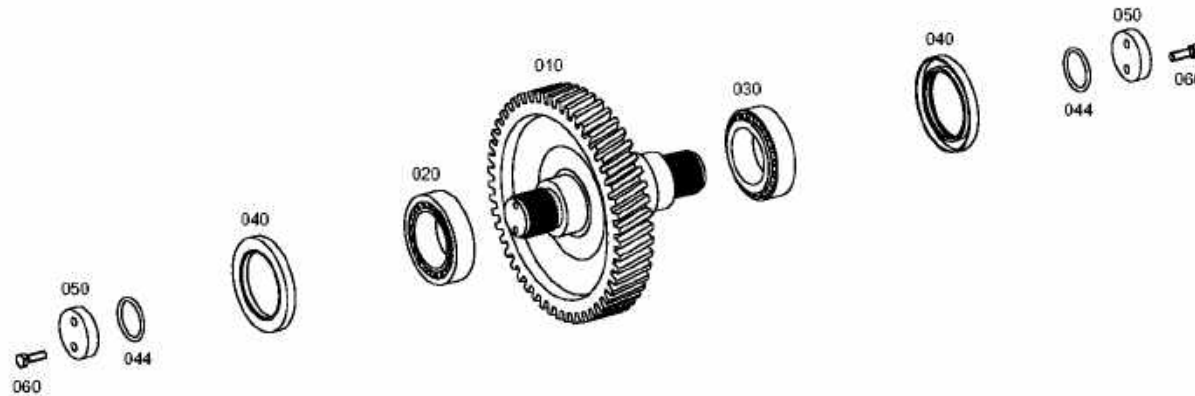
Material number: 4656.054.117

Plant: 465610300700

Material-assembly-group-no: 4656.103.007



4 WG 160 /
OUTPUT



Parts list

Page 1 from 1



4 WG 160 /

Material number: 4656.054.117

Plant: 465610300700

Material-assembly-group-no: 4656.103.007

Pos.	Material number	Customer material	Name	Quantity	ME	Amend. no.	Techn. Info.	Rep kit	Alternative material
10	4656.303.021	87712664	OUTPUT SHAFT	1		K01110/0610	Z=60		
20	0750.117.905	9301452	TAPERED ROLLER BEARING	1		Z00009825310	60,000X95,000X27,000		
30	0750.117.905	9301452	TAPERED ROLLER BEARING	1		Z00009825310	60,000X95,000X27,000		
40	0750.111.307	6149188E	SHAFT SEAL	2			70X100X10		
44	0634.306.328	6149188B	O-RING	2			38X4		
50	0730.002.713	50380587	WASHER	2					
60	0636.100.800		HEXAGON SCREW	4			M8X25		

Plant

Page 1 from 1

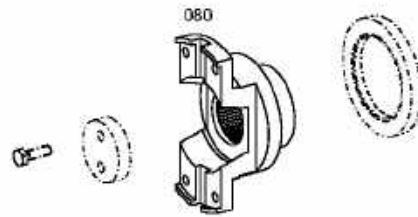
Material number: 4656.054.117

Plant: 465610341100

Material-assembly-group-no: 4656.103.411



4 WG 160 /
OUTPUT



Parts list

Page 1 from 1



4 WG 160 /

Material number: 4656.054.117

Plant: 465610341100

Material-assembly-group-no: 4656.103.411

Pos.	Material number	Customer material	Name	Quantity	ME	Amend. no.	Techn. Info.	Rep kit	Alternative material
80	4642.303.059	1000002077	INPUT FLANGE	1			MECHANIC 6C		

Plant

Page 1 from 1

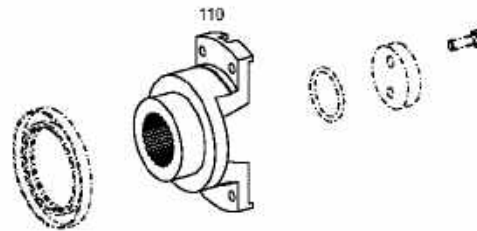
Material number: 4656.054.117

Plant: 465610341400

Material-assembly-group-no: 4656.103.414



4 WG 160 /
OUTPUT



Parts list

Page 1 from 1



4 WG 160 /

Material number: 4656.054.117

Plant: 465610341400

Material-assembly-group-no: 4656.103.414

Pos.	Material number	Customer material	Name	Quantity	ME	Amend. no.	Techn. Info.	Rep kit	Alternative material
110	4642.303.059	1000002077	INPUT FLANGE	1			MECHANIC 6C		

Plant

Page 1 from 1

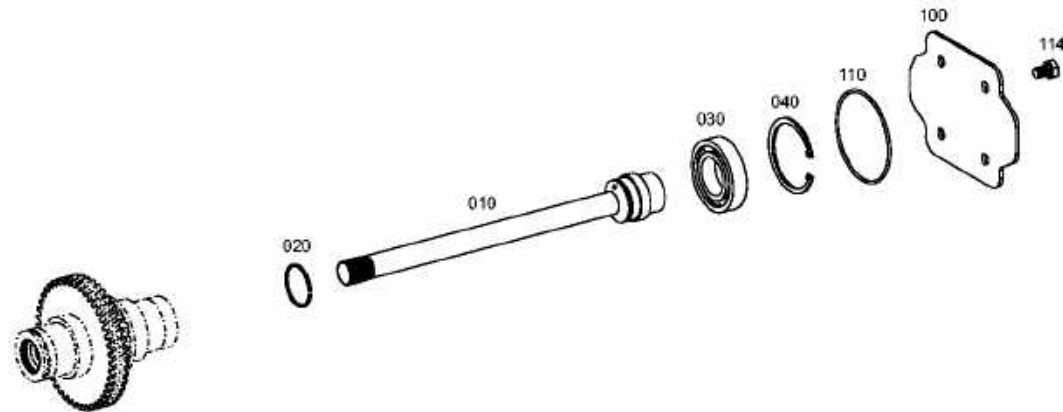
Material number: 4656.054.117

Plant: 465615400400

Material-assembly-group-no: 4656.154.004



4 WG 160 /
POWER TAKE-OFF



Parts list

Page 1 from 1



4 WG 160 /

Material number: 4656.054.117

Plant: 465615400400

Material-assembly-group-no: 4656.154.004

Pos.	Material number	Customer material	Name	Quantity	ME	Amend. no.	Techn. Info.	Rep kit	Alternative material
10	4656.354.005	ZGAQ-01447	PUMP SHAFT	1			Z=21		
20	0634.402.140	00412711	R-RING	1			50X2,5		
30	0750.116.008	9300455	BALL BEARING	1			45,000X85,000X19,000		
40	0630.502.040		RETAINING RING	1			85X3		
100	4656.354.008	ZGAQ-01449	COVER PLATE	1		K00883/9710			
110	0634.313.179		O-RING	1			104X3		
114	0636.102.411		HEXAGON SCREW	4			M12X18		

Plant

Page 1 from 1

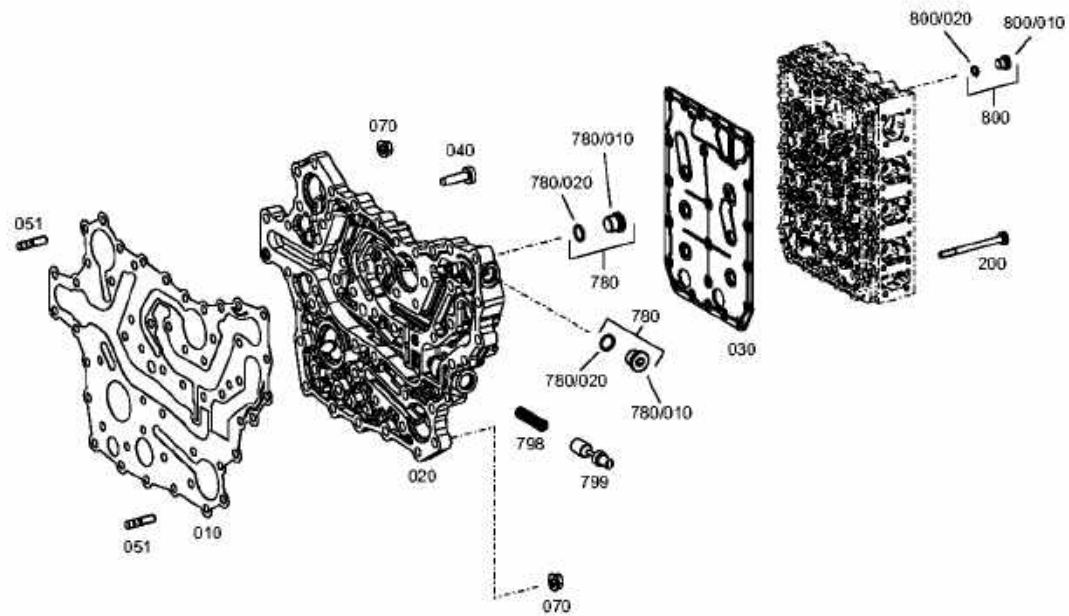
Material number: 4656.054.117

Plant: 465610601300

Material-assembly-group-no: 4656.106.013



4 WG 160 /
SHIFT SYSTEM



Parts list

Page 1 from 1



4 WG 160 /

Material number: 4656.054.117

Plant: 465610601300

Material-assembly-group-no: 4656.106.013

Pos.	Material number	Customer material	Name	Quantity	ME	Amend. no.	Techn. Info.	Rep kit	Alternative material
10	4656.306.136	9303019	GASKET	1					
20	4656.306.151	8603185	DUCT PLATE	1					
30	4656.306.179	ZGAQ-04412	INTERMEDIATE SHEET	1		Z00016403510			
40	0736.300.233		TORX SCREW	37			M8X30		
51	0636.102.496		STUD	14			M8X25		
70	0637.100.139		HEXAGON NUT	14			M8		
200	0736.300.093	550/41382	TORX SCREW	23			M6X76		
780	4475.280.208		SCREW PLUG	2					
/20	0634.316.523	9301941	O-RING	1			13X2		
798	0732.042.761	8603534	COMPRESSION SPRING	1			D=1,6		
799	4657.306.031	550/41444	PISTON	1					
800	4475.280.197	6524736M1	SCREW PLUG	8			M10X1 KPL.MIT O-RING		
/20	0634.303.280	590808	O-RING	1			8X1,5		

Plant

Page 1 from 1

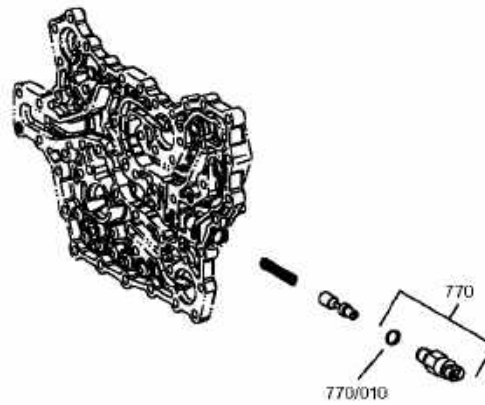
Material number: 4656.054.117

Plant: 465710640720

Material-assembly-group-no: 4657.106.407



4 WG 160 /
SHIFT SYSTEM



Parts list

Page 1 from 1



4 WG 160 /

Material number: 4656.054.117

Plant: 465710640720

Material-assembly-group-no: 4657.106.407

Pos.	Material number	Customer material	Name	Quantity	ME	Amend. no.	Techn. Info.	Rep kit	Alternative material
770	0501.210.966	571707408	TAPPET SWITCH	1					
/10	0634.306.523	1000000291	O-RING	1			13X2		

Plant

Page 1 from 2

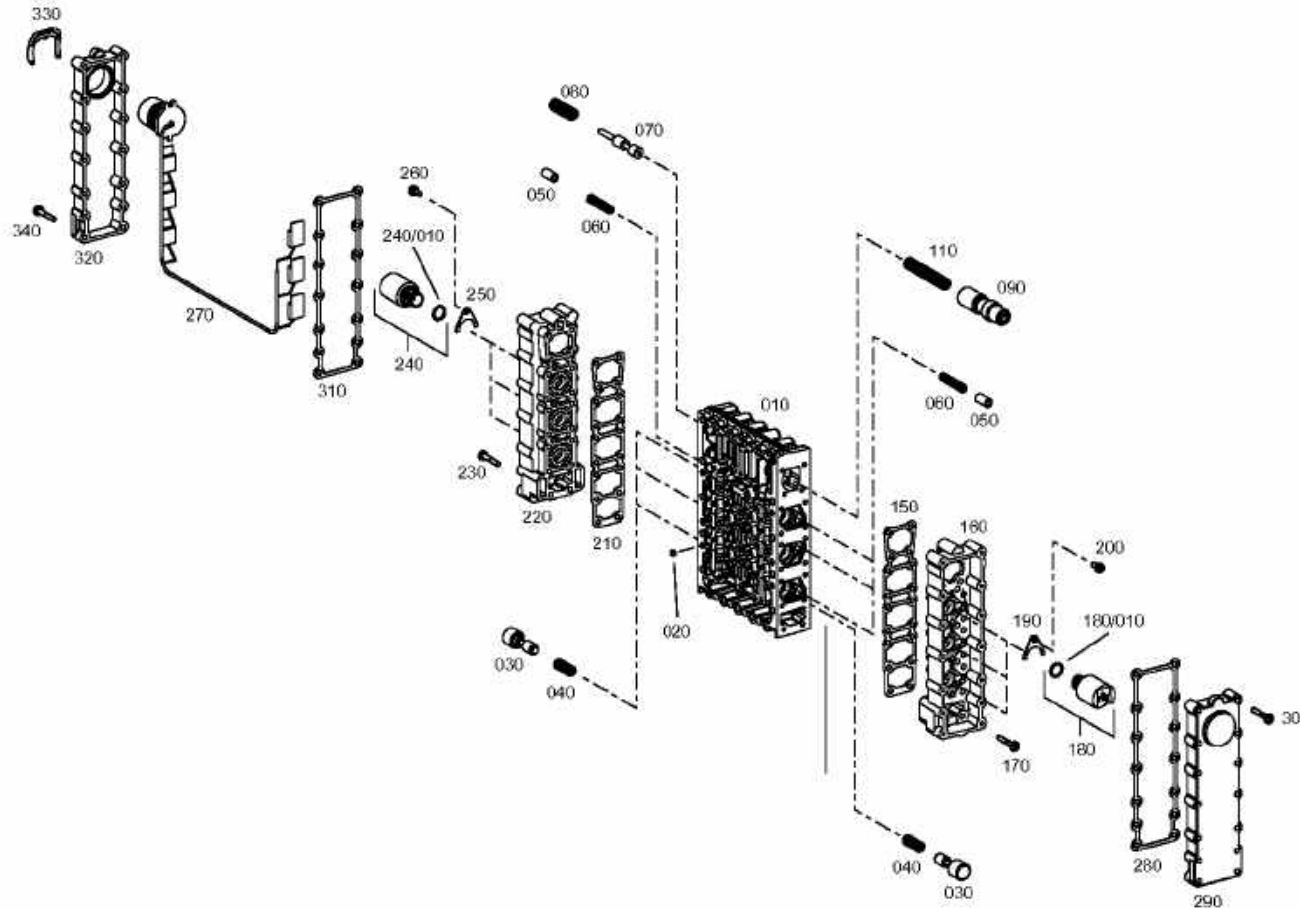
Material number: 4656.054.117

Plant: 465615901921

Material-assembly-group-no: 4656.159.019



4 WG 160 /
SHIFT SYSTEM



Plant

Page 2 from 2

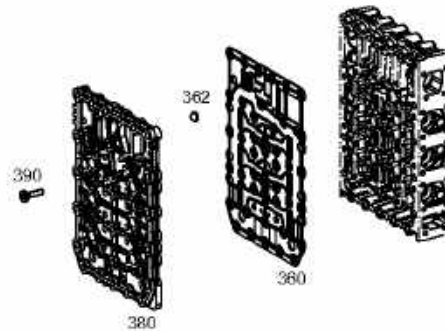
Material number: 4656.054.117

Plant: 465615901922

Material-assembly-group-no: 4656.159.019



4 WG 160 /
SHIFT SYSTEM



Parts list

Page 1 from 2



4 WG 160 /

Material number: 4656.054.117

Plant: 465615901921

Material-assembly-group-no: 4656.159.019

Pos.	Material number	Customer material	Name	Quantity	ME	Amend. no.	Techn. Info.	Rep kit	Alternative material
10	4656.306.170	9305079	VALVE BLOCK	1					
20	0730.361.070	8603367	ORIFICE	6			D=0,8 IN 0730 361 120(2)		
30	4656.306.095	8603368	PISTON	6					
40	0732.042.538	8603369	COMPRESSION SPRING	6					
50	4656.306.013	8603370	PISTON	6					
60	0732.042.539	8603371	COMPRESSION SPRING	6					
70	4656.306.074	8603372	PISTON	1					
80	0732.042.631	11001093	COMPRESSION SPRING	1					
90	4656.306.152	8603623	CONTROL PISTON	1					
110	0732.042.719	8603375	COMPRESSION SPRING	1					
150	4656.306.158	9303082	GASKET	1					
160	4656.306.116	8603376	HOUSING	1					
170	0736.300.229		TORX SCREW	18			M5X30		
180	0501.314.770	5904662464	PRESSURE REGULATOR	3					
/10	0734.313.134	9300046	O-RING	1					
190	1043.326.045	1000001029	FIXING PLATE	3					
200	0736.101.094	8603359	TORX SCREW	3			M5X12 IN 0736 101 053(2)		
210	4656.306.158	9303082	GASKET	1					
220	4656.306.116	8603376	HOUSING	1					
230	0736.300.229		TORX SCREW	18			M5X30		
240	0501.314.770	5904662464	PRESSURE REGULATOR	3					
/10	0734.313.134	9300046	O-RING	1					
250	1043.326.045	1000001029	FIXING PLATE	3					
260	0736.101.094	8603359	TORX SCREW	3			M5X12 IN 0736 101 053(2)		
270	4656.206.006	8603625	WIRING HARNESS	1			KPL.HSG-94 SERIE 1		
280	4656.306.157	47151912	GASKET	1					
290	4656.306.054	8603360	COVER	1					
300	0736.300.229		TORX SCREW	14			M5X30		
310	4656.306.157	47151912	GASKET	1					
320	4656.306.055	ZGAQ-00636	COVER	1					
330	1058.327.026	8603362	RETAINING CLAMP	1					
340	0736.300.229		TORX SCREW	14			M5X30		
360	4656.306.180	A138716	INTERMEDIATE SHEET	1		Z00016403510	D-Teil		
362	0501.316.715	9300054	SCREEN	6					

Parts list

Page 2 from 2



4 WG 160 /

Material number: 4656.054.117

Plant: 465615901921

Material-assembly-group-no: 4656.159.019

Pos.	Material number	Customer material	Name	Quantity	ME	Amend. no.	Techn. Info.	Rep kit	Alternative material
380	4656.306.150	8603628	DUCT PLATE	1					
390	0736.300.092		TORX SCREW	18			M6X23		

Plant

Page 1 from 1

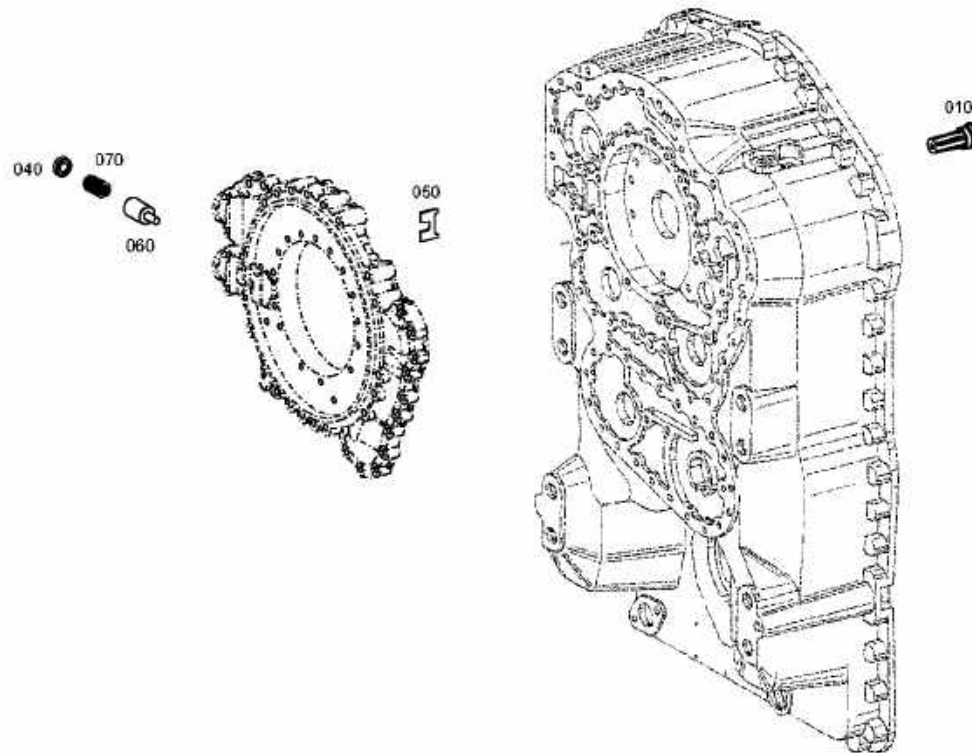
Material number: 4656.054.117

Plant: 465612000300

Material-assembly-group-no: 4656.120.003



4 WG 160 /
PRESSURE REGULATOR



Parts list

Page 1 from 1



4 WG 160 /

Material number: 4656.054.117

Plant: 465612000300

Material-assembly-group-no: 4656.120.003

Pos.	Material number	Customer material	Name	Quantity	ME	Amend. no.	Techn. Info.	Rep kit	Alternative material
10	0501.211.384	9300061	VALVE	1		K00720/9810			
40	4656.306.077	ZGAQ-00913	PRESSURE PLATE	1					
50	4656.306.078	ZGAQ-00914	LOCKING PLATE	1					
60	4656.306.107	1.409-00009	PISTON	1		K00720/9810			
70	0732.042.767	8603383	COMPRESSION SPRING	1		K00720/9810			

Plant

Page 1 from 1

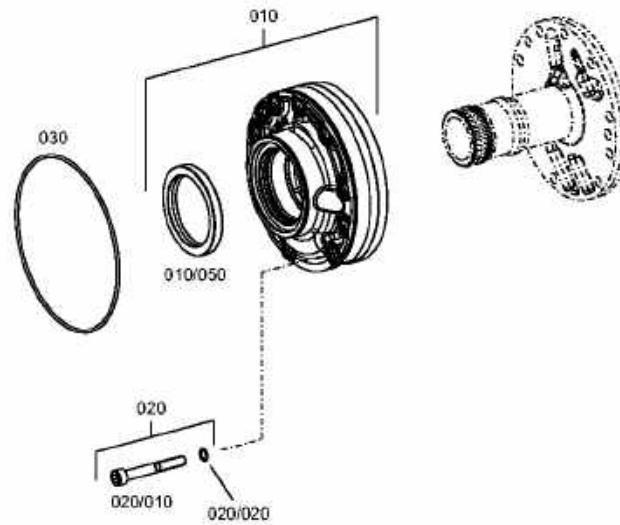
Material number: 4656.054.117

Plant: 465612200500

Material-assembly-group-no: 4656.122.005



4 WG 160 /
PRESSURE OIL PUMP



Parts list

Page 1 from 1



4 WG 160 /

Material number: 4656.054.117

Plant: 465612200500

Material-assembly-group-no: 4656.122.005

Pos.	Material number	Customer material	Name	Quantity	ME	Amend. no.	Techn. Info.	Rep kit	Alternative material
10	0501.214.894	9303088	GEAR PUMP	1					
/50	0634.311.837	9301951	SHAFT SEAL	1			75X95X10		
20	4475.280.205		CAP SCREW	10					
/20	0634.313.215	9301954	O-RING	1			9,5X1,6		
30	0634.313.999		O-RING	1		K01165/0610	182X3		

Plant

Page 1 from 1

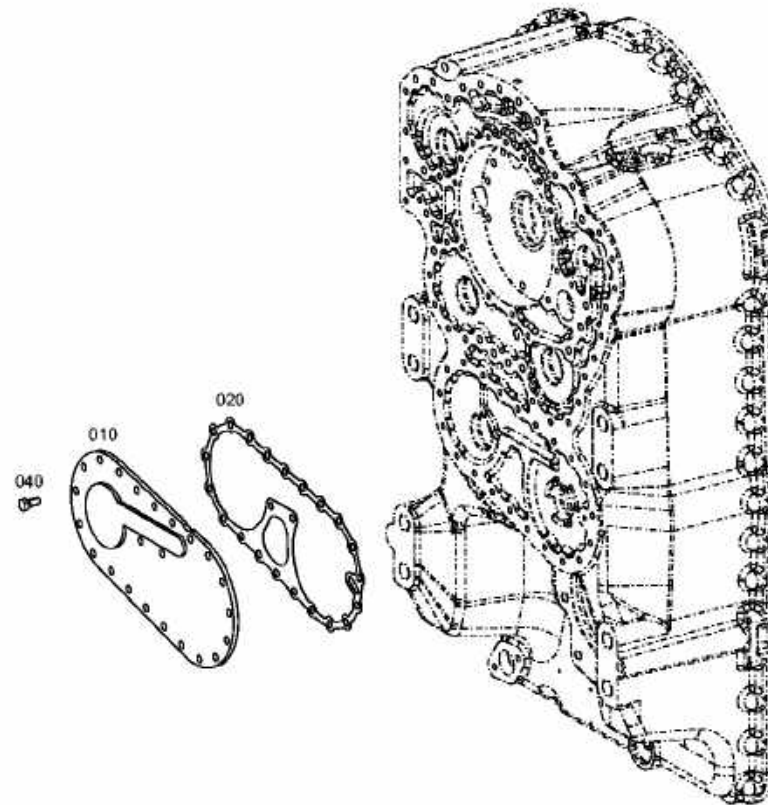
Material number: 4656.054.117

Plant: 465613700400

Material-assembly-group-no: 4656.137.004



4 WG 160 /
EMERGENCY STEERING PUMP



Parts list

Page 1 from 1

Material number: 4656.054.117

Plant: 465613700400

Material-assembly-group-no: 4656.137.004



4 WG 160 /

Pos.	Material number	Customer material	Name	Quantity	ME	Amend. no.	Techn. Info.	Rep kit	Alternative material
10	4656.337.005	8603393	COVER	1					
20	4656.337.010	9301958	GASKET	1		K00072/01110			
40	0636.015.681		HEXAGON SCREW	23			M8X18		

Plant

Page 1 from 1

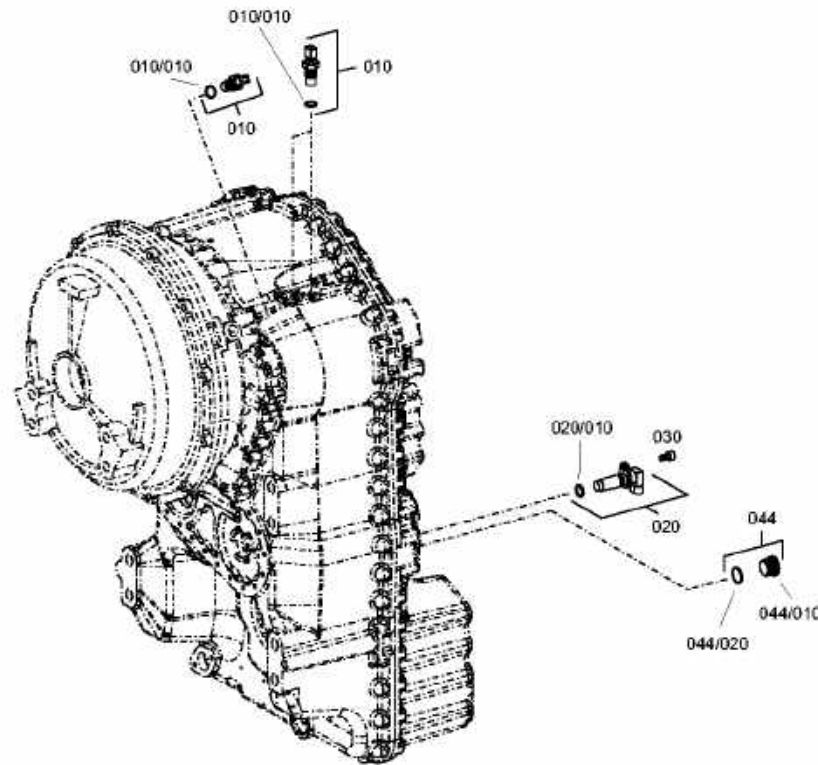
Material number: 4656.054.117

Plant: 465612500600

Material-assembly-group-no: 4656.125.006



4 WG 160 /
INDUCTIVE SENSOR



Parts list

Page 1 from 1



4 WG 160 /

Material number: 4656.054.117

Plant: 465612500600

Material-assembly-group-no: 4656.125.006

Pos.	Material number	Customer material	Name	Quantity	ME	Amend. no.	Techn. Info.	Rep kit	Alternative material
10	0501.209.719	14683452200	INDUCTIVE SENSOR	3					
/10	0734.313.125	9303094	O-RING	1					
20	0501.317.949	9300063	SPEED SENSOR	1		K02042/9910	ENTHALT.IN 0501 317 941(2)		
/10	0634.313.728	9300065	O-RING	1			15,54X2,62		
30	0636.115.293	REPLACEMENT FOR 0636.101.680	CAP SCREW	1			M8X16		
44	4475.280.209		SCREW PLUG	1					
/20	0634.313.233	9301962	O-RING	1			23X2		

Plant

Page 1 from 1

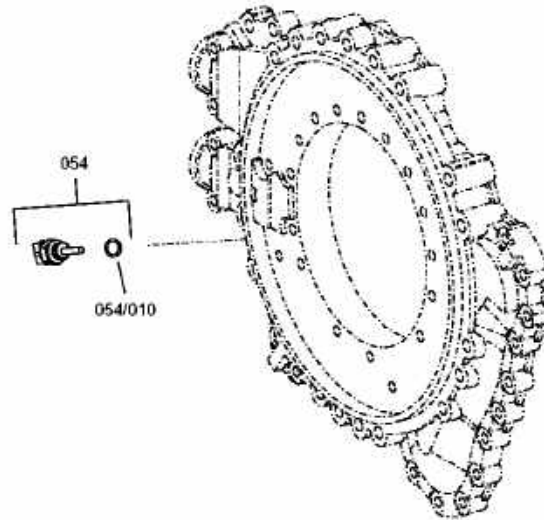
Material number: 4656.054.117

Plant: 465712400200

Material-assembly-group-no: 4657.124.002



4 WG 160 /
TEMPERATURE SENSOR



Parts list

Page 1 from 1

Material number: 4656.054.117

Plant: 465712400200

Material-assembly-group-no: 4657.124.002



4 WG 160 /

Pos.	Material number	Customer material	Name	Quantity	ME	Amend. no.	Techn. Info.	Rep kit	Alternative material
54	0501.322.532	87712669	TEMPERATURE SENSOR	1		K00547/0610			
/10	0634.313.366	8603402	O-RING	1			11X2		

Plant

Page 1 from 1

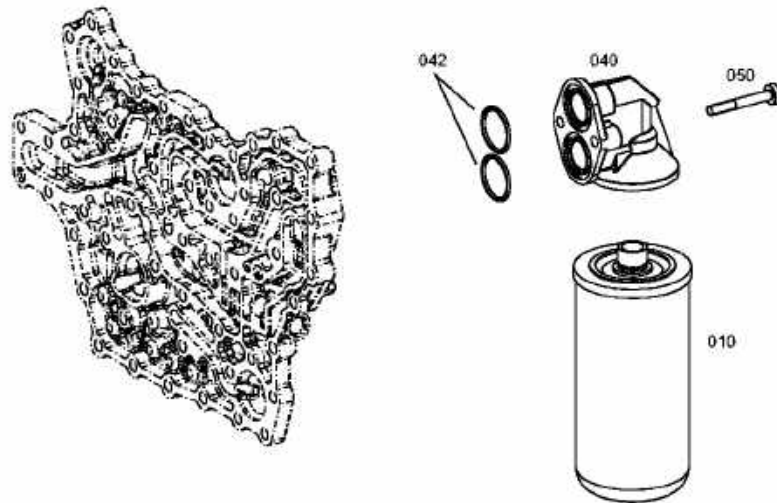
Material number: 4656.054.117

Plant: 465613801500

Material-assembly-group-no: 4656.138.015



4 WG 160 /
FILTER



Parts list

Page 1 from 1



4 WG 160 /

Material number: 4656.054.117

Plant: 465613801500

Material-assembly-group-no: 4656.138.015

Pos.	Material number	Customer material	Name	Quantity	ME	Amend. no.	Techn. Info.	Rep kit	Alternative material
10	0501.323.154	070208	PRESSURE FILTER	1			KPL.		
40	0501.210.925	8603403	FILTER HEAD	1			KPL.		
42	0634.306.053	04135130	O-RING	2		K01160/0610	34,2X3		
50	0736.300.183		TORX SCREW	2			M8X60 M8X60		

Plant

Page 1 from 1

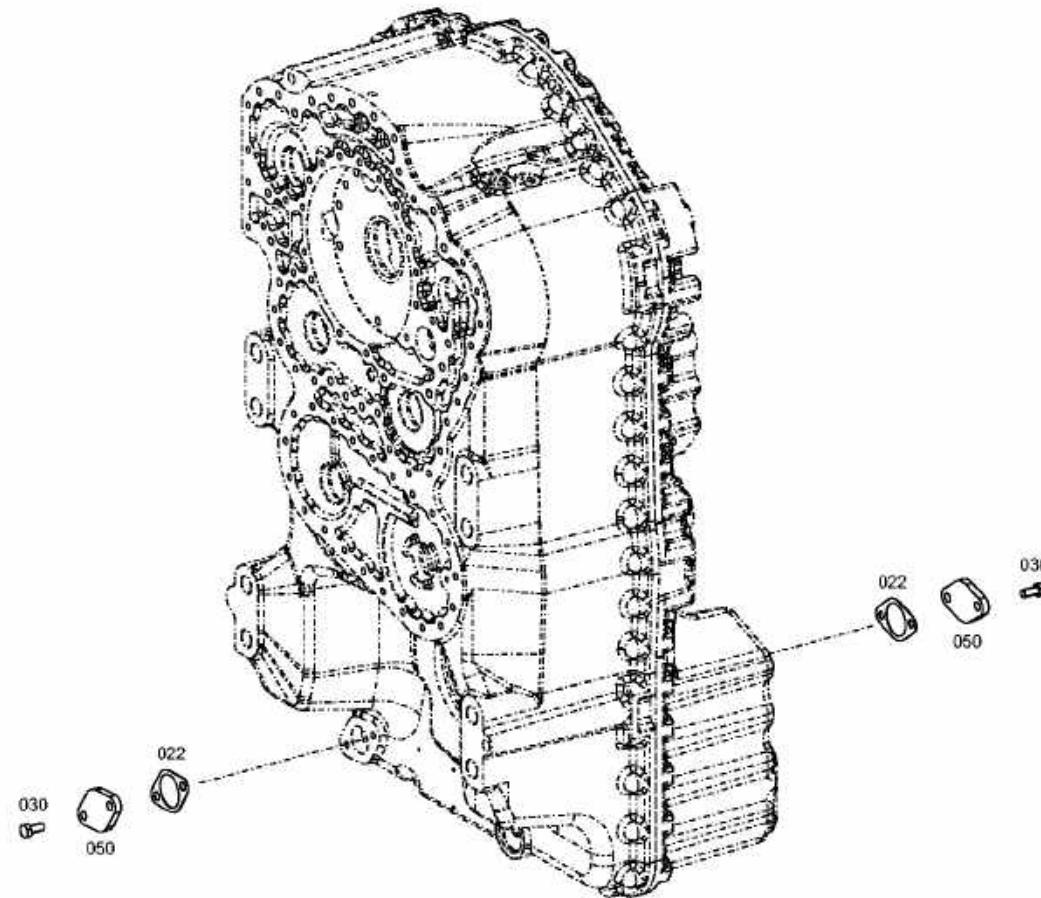
Material number: 4656.054.117

Plant: 465613100500

Material-assembly-group-no: 4656.131.005



4 WG 160 /
OIL DIPSTICK



Parts list

Page 1 from 1



4 WG 160 /

Material number: 4656.054.117

Plant: 465613100500

Material-assembly-group-no: 4656.131.005

Pos.	Material number	Customer material	Name	Quantity	ME	Amend. no.	Techn. Info.	Rep kit	Alternative material
22	4642.331.216		GASKET	2					
30	0636.015.681		HEXAGON SCREW	4			M8X18		
50	4644.301.014	1000002129	COVER PLATE	2			E=8		

Plant

Page 1 from 1

Material number: 4656.054.117

Plant: 465619901800

Material-assembly-group-no: 4656.199.018



4 WG 160 /
LOOSE PARTS



Parts list

Page 1 from 1



4 WG 160 /

Material number: 4656.054.117

Plant: 465619901800

Material-assembly-group-no: 4656.199.018

Pos.	Material number	Customer material	Name	Quantity	ME	Amend. no.	Techn. Info.	Rep kit	Alternative material
10	4656.231.005	ZGAQ-01470	OIL DIPSTICK	1					

Plant

Page 1 from 1

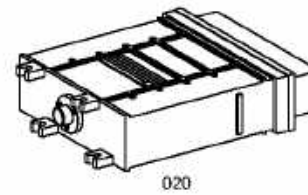
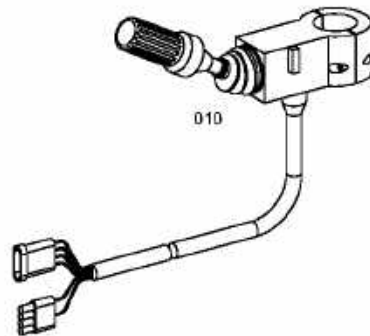
Material number: 4656.054.117

Plant: 465618317100

Material-assembly-group-no: 4656.183.171



4 WG 160 /
LOOSE PARTS



Parts list

Page 1 from 1



4 WG 160 /

Material number: 4656.054.117

Plant: 465618317100

Material-assembly-group-no: 4656.183.171

Pos.	Material number	Customer material	Name	Quantity	ME	Amend. no.	Techn. Info.	Rep kit	Alternative material
10	0501.216.209	590507	RANGE SELECTOR	1		K00483/0810	KPL.		
20	6009.092.613	ZGAQ-01978	CONTROL UNIT	1					