



# Spare Parts Catalog

## 16 S 251 WSK

Material number: 4130.065.212

ZF Friedrichshafen AG  
Hauptverwaltung  
80038 Friedrichshafen  
Deutschland  
Telefon: +49 7541 77-0  
Telefax: +49 7541 77-908000  
[www.zf.com](http://www.zf.com)

zuständiges Werk:  
Friedrichshafen



Pos.	Information	Amendment number
001	Use case -----	
002	Customer KAMAZ PUBLIC JOINT STOCK COMPANY	
003	City Naberezhnye Chelny	
004	DUNS 64-493-2113	
005	Classification use case -----	
006	APPROVAL NOTE 1 ERSTEINBAU*UEBERPRUEFG.DURCHGEFUEHRT	
008	Product description -----	
009	ASSEMBLY POS. CLUTCH CYLINDER 6	
010	AUSFUEHRUNG WATFAEHIG FORDING ABILITY VERSION	
011	OIL CAPACITY, GEARBOX 43 dm3	
014	OIL GRADE PERMISSIBLE ACC. TO TE-ML02	
015	OIL CLASS FIRST FILLING H	
016	COLOR JET BLACK	
017	COLOUR CLASSIFICATION ACC. TO RAL 9005	
018	PAINTING, ZF STANDARD 915 W	
020	CODING OUTER CONSERVATION KA1	
021	SCOPE OUTER CONSERVATION T	
022	CODING INNER CONSERVATION KI2	
023	CONSERVATION SPECIFICATION ZFN 916	
025	Documents -----	
026	Drawing 4130.665.016	
027	1268.002.760 Drawing 1268.002.760	

# Assembly group overview

Material number: 4130.065.212

16 S 251 WSK /



Page 1 from 2

Graphics	Pos.	Material number	Name	Quantity	Amend. no.	Techn. Info.
	910	1316.057.047	16 S 251	1		
068.01.11-1	110	1316.101.130	GEARBOX HOUSING	1		
068.01.54-1	120	1316.101.509	GEARBOX HOUSING	1		
068.02.58-1	140	1315.102.427	CONNPLATE	1		
068.02.82-1	150	1315.102.811	INPUT SHAFT	1		
068.02.02-1	910	1316.102.044	INPUT SHAFT	1		
068.03.80-1	180	1316.103.803	LAYSHAFT	1		
068.03.01-1	920	1316.103.010	LAYSHAFT	1		
068.04.14-1	930	1316.104.041	MAIN SHAFT	1		
068.06.01-1	230	1316.106.008	GEAR SHIFT SYSTEM	1		
068.06.43-1	234	1315.106.422	CONNECTING PARTS	1		
068.06.80-1	238	1315.106.800	GEAR SHIFT SYSTEM	1		
068.07.81-1	292	1316.108.821	GEAR SHIFT HOUSING	1		
068.07.36-1	910	1316.108.047	GEAR SHIFT HOUSING	1		
068.07.25-1	914	1316.108.459	GEAR SHIFT SHAFT	1		
068.07.64-1	924	1316.108.063	DETENT	1		
068.07.57-1	930	1316.108.811	COVER	1		
062.08.30-1	954	1316.171.403	END COVER	1		
068.08.02-1	960	1316.171.400	PNEUMSERVUNIT	1		
068.08.85-1	964	1316.171.816	CONNECTING PARTS	1		
068.09.01-1	934	1316.109.025	CONNECTING PARTS	1		
068.09.01-1	940	1316.109.420	CONNECTING PARTS	1		
068.12.16-1	918	1316.149.432	SET OF SPRINGS	1		
068.40.04-1	500	1316.112.012	GV-SHIFT SYSTEM	1		
068.40.40-1	502	1315.112.405	CONNECTING PARTS	1		
068.43.21-1	10	1315.131.047	COVER	1		
068.43.09-1	20	1315.131.051	GP HOUSING	1		
068.43.45-1	24	1315.131.401	CONNECTING PARTS	1		
068.43.40-1	30	1315.131.400	CLOSING COMPONENTS	1		
068.43.09-1	512	1315.131.809	GP HOUSING	1		
068.44.08-1	40	1316.132.011	PLANETARY DRIVE	1		

# Assembly group overview

Material number: 4130.065.212

16 S 251 WSK /

Page 2 from 2



Graphics	Pos.	Material number	Name	Quantity	Amend. no.	Techn. Info.
068.44.41-1	50	1316.132.403	PLANETARY DRIVE	1		
068.45.05-1	70	1316.133.009	SYNCHRONIZER	1		
068.45.40-1	80	1315.133.405	SYNCHRONIZER	1		
068.46.02-1	90	1316.134.023	GP SHIFT SYSTEM	1		
068.46.40-1	554	1315.134.413	CONNECTING PARTS	1		
068.57.04-1	390	1316.145.003	RANGE SELECTION	1		
068.93.05-1	130	1315.168.015	CLUTCH RELEASE DEVICE	1		
	920	4130.007.017	WSK 440	1		
002.01.01-1	120	4130.101.092	CONVERTER HOUSING	1		
002.03.02-1	150	4130.103.035	TURBINE SHAFT	1		
002.04.01-1	160	4130.104.023	PUMP	1		
002.05.01-1	170	4130.105.083	RETARDHOUSING	1		
002.05.01-1	180	4130.105.084	RETARDER	1		
002.05.81-1	188	4130.105.801	RETARDER	1		
002.06.61-1	190	4130.106.128	SEPARATING CLUTCH	1		
002.06.40-1	208	4130.106.818	CLUTCH CYLINDER	1		
002.08.01-1	220	4130.108.042	CONTROL UNIT	1		
002.08.80-1	228	4130.108.800	CONTROL UNIT	1		
002.09.02-1	230	4130.109.059	ELEQUIPMENT	1		
002.09.81-1	238	4130.109.800	ELEQUIPMENT	1		
002.34.06-1	260	4130.134.043	CONVERTER	1		
002.91.01-1	350	4130.131.002	VENTILATION	1		

# Parts list

Page 1 from 3

Material number: 4130.065.212

16 S 251 WSK /

Material-assembly-group-no: 1316.057.047



Pos.	Material number	Customer material	Name	Quantity	ME	Amend. no.	Techn. Info.	Weight	Rep kit	Alternative material
10	1315.131.047		COVER	1			ABTR*L=52*GDAL *ECO II/III	0,000		
20	1315.131.051		GP HOUSING	1			16S251*SOLO*ET *O. GP-LUFTKANAL	0,000		
24	1315.131.401		CONNECTING PARTS	1			E-TACHO-VORB* MECH.TACHO	0,000		
30	1315.131.400		CLOSING COMPONENTS	1			NA-OEFFNUNG	0,000		
40	1316.132.011		PLANETARY DRIVE	1			4,565*16S251HD *GP- SV	0,000		
50	1316.132.403		PLANETARY DRIVE	1			180*4XM14X1,5X50*L= 211,5	0,000		
70	1316.133.009		SYNCHRONIZER	1			MOLYB*FL-PROFIL 90*E/Z6-V *GP- SV*16S251	0,000		
80	1315.133.405		SYNCHRONIZER	1		C01001744F10	FL-PROFIL 80 GV-GP 16 S151*FL-PROFIL 90 SV- GP 16 S151-251	0,000		
90	1316.134.023		GP SHIFT SYSTEM	1		C01001744F10	SCHIENE 16S251*ANZ. SCHLT	0,000		
110	1316.101.130		GEARBOX HOUSING	1			DG/SG-KK*W I *FL.OHNE *WSK	0,000		
120	1316.101.509		GEARBOX HOUSING	1		C01004253D10	DG/SG-KK*16S251*D= 42H7 *D=13,0*WSK440- UNTEN WATFAEHIG	0,000		
130	1315.168.015		CLUTCH RELEASE DEVICE	1			AUSR-WELLE*SW= 128*WSK	0,000		
140	1315.102.427		CONNPLATE	1			WSK *AUSR-WELLE *GETR* *A-PKT H=86	0,000		
150	1315.102.811		INPUT SHAFT	1			A-PLATTE GETR*GEH. 6KT-SCHR	0,000		
180	1316.103.803		LAYSHAFT	1			PUMPE GETR*GEH.1 6KT-SCHR	0,000		

# Parts list

Page 2 from 3

Material number: 4130.065.212

16 S 251 WSK /

Material-assembly-group-no: 1316.057.047



Pos.	Material number	Customer material	Name	Quantity	ME	Amend. no.	Techn. Info.	Weight	Rep kit	Alternative material
230	1316.106.008		GEAR SHIFT SYSTEM	1			WL*W I	0,000		
234	1315.106.422		CONNECTING PARTS	1			GEH.2 W I RG/HG- VERSCHL	0,000		
238	1315.106.800		GEAR SHIFT SYSTEM	1			GLEITSTEINE 1-4GANG * SCHALTSCHIENE VERSTIFTET	0,000		
292	1316.108.821		GEAR SHIFT HOUSING	1			WL-SERVO*H-H *R= 65 *A15	0,000		
390	1316.145.003		RANGE SELECTION	1			16S251* VORGEFORMTE ROHRE	0,000		
500	1316.112.012		GV-SHIFT SYSTEM	1		C01004003F10	235N*GV-LAG.GEH.1* LANG	0,000		
502	1315.112.405		CONNECTING PARTS	1			SG*GV-VORB	0,000		
512	1315.131.809		GP HOUSING	1			16S251	0,000		
554	1315.134.413		CONNECTING PARTS	1			145N*GP-SCHL* BAJONETT *GV-LAG	0,000		
910	1316.102.044		INPUT SHAFT	1			SG-KK*16S221/251 *WSK *GL100*ZAPF. 25*ZAEHLSCH.22	0,000		
910	1316.108.047		GEAR SHIFT HOUSING	1			WL-SERVO*W I+H-H	0,000		
914	1316.108.459		GEAR SHIFT SHAFT	1			SERVO WL/WR*RASTE 200N	0,000		
918	1316.149.432		SET OF SPRINGS	1			SERVO-WL*Q3 *WF 70*I= 2N*RAEND=16* GS KOLBEN 50,5	0,000		
920	1316.103.010		LAYSHAFT	1			SG-KK*16S251 *P900LAGER	0,000		
924	1316.108.063		DETENT	1		C01004253D10	WL/WR-SERVO*W I*H- H *HEBEL AUSF.A*HF- 120/ 70N	0,000		

# Parts list

Page 3 from 3

Material number: 4130.065.212

16 S 251 WSK /

Material-assembly-group-no: 1316.057.047



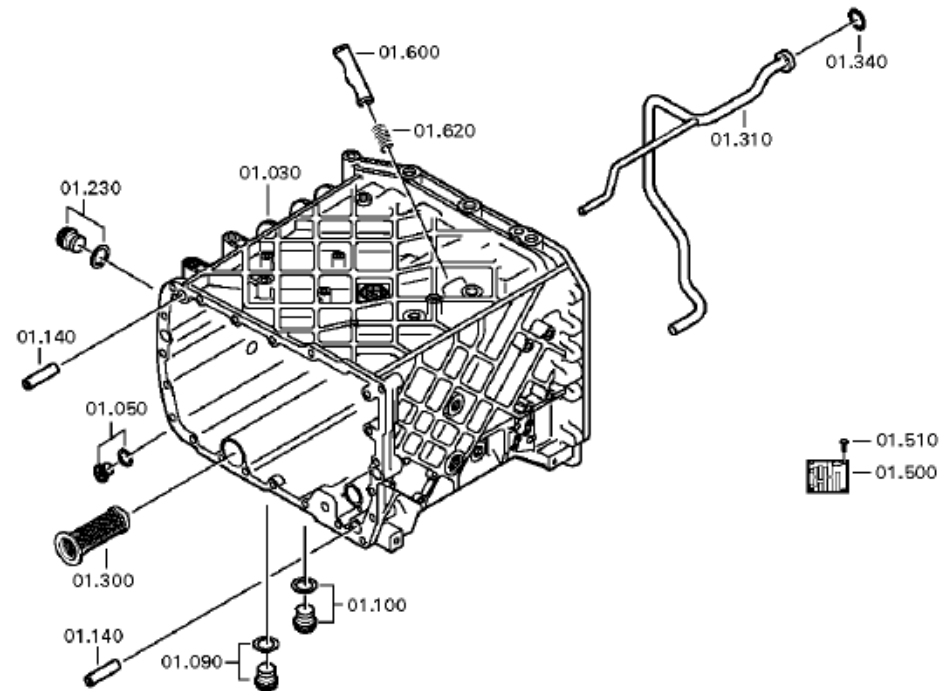
Pos.	Material number	Customer material	Name	Quantity	ME	Amend. no.	Techn. Info.	Weight	Rep kit	Alternative material
930	1316.104.041		MAIN SHAFT	1			16S251*SG-KK+DG* NEUES K.K *GP-SV VERST*1+2G BK STAHLRING	0,000		
930	1316.108.811		COVER	1			WL/WR-SERVO*W I/ WII	0,000		
934	1316.109.025		CONNECTING PARTS	1			HASV 2-ST*D=1,55 INTEGR. *RG-RASTE 150N*WL/WR*SERVO	0,000		
940	1316.109.420		CONNECTING PARTS	1			NG-SCHL/KOST*RG- SCHL *BAJO *SERVO	0,000		
954	1316.171.403		END COVER	1			WL-SERVO	0,000		
960	1316.171.400		PNEUMSERVOUNIT	1			PSE1*STANDARD EUROPA*WL/WR- SERVO	0,000		
964	1316.171.816		CONNECTING PARTS	1			WL/WR-SERVO*LA= GV-SERVO *16S181- 251*L=530	0,000		

# Plant

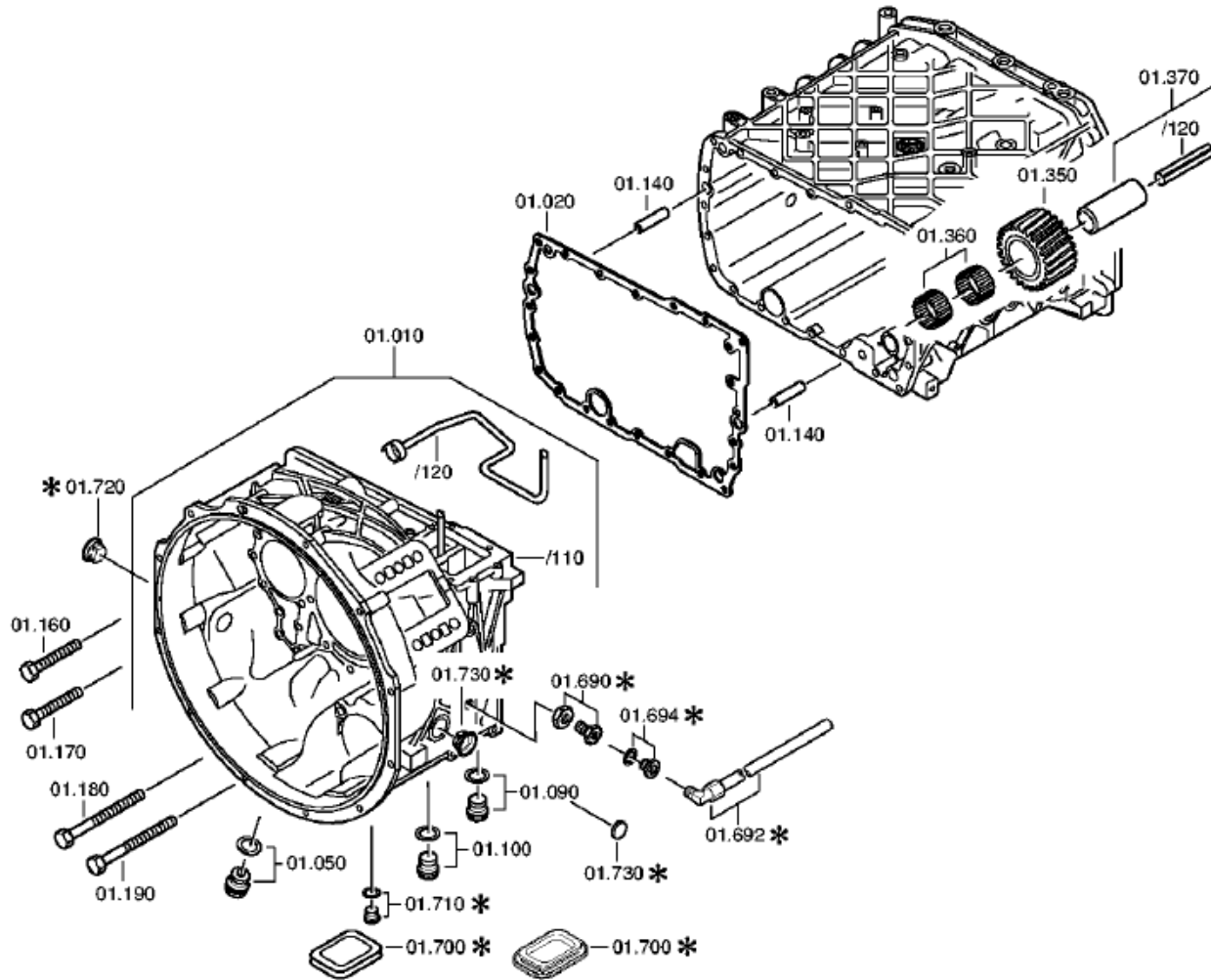
Page 1 from 2

Material number: 4130.065.212  
Plant: 068.01.11-1  
GEARBOX HOUSING

16 S 251 WSK /  
GEARBOX HOUSING







# Parts list

Page 1 from 3

Material number: 4130.065.212

16 S 251 WSK /

Plant: 068.01.11-1

Material-assembly-group-no: 1316.101.130



Pos.	Material number	Customer material	Name	Quantity	ME	Amend. no.	Techn. Info.	Weight	Rep kit	Alternative material
10	1316.201.154		CLUTCH HOUSING	1			KPL	0,000		
/110	1316.301.092		CLUTCH HOUSING	1			ENTHALT.IN 1316 301 060(0)	0,000		
/120	1315.201.097		PIPE	1			KPL.	0,000		
20	1315.301.233		GASKET	1				0,000		
30	1316.201.110		HOUSING	1			KPL.DG IN 1316 201 108(0)	0,000		
50	---		SCREW PLUG	1		Z00010176111	M24X1,5	0,000		
---	0736.300.160		SCREW PLUG	1		Z00010176110	M24X1,5 M24X1,5	0,000		
---	0730.008.637		SEALING RING	1		Z00010176110	A24X29	0,000		
90	---		SCREW PLUG	1		Z00010164013	50N.M*DICHTRING M22X1,5	0,000		
---	0636.100.824		SCREW PLUG	1		Z00010164019	M22X1,5	0,000		
---	0730.009.515		SEALING RING	1		Z00010164019	A22X27	0,000		
100	---		SCREW PLUG	1		Z00010164013	50N.M*DICHTRING M22X1,5	0,000		
---	0636.100.824		SCREW PLUG	1		Z00010164019	M22X1,5	0,000		
---	0730.009.515		SEALING RING	1		Z00010164019	A22X27	0,000		
140	0731.201.563		CYLINDRICAL PIN	4				0,000		
160	0736.300.123	1880233	HEXAGON BOLT	14			M10X70 M10X70	0,000		
170	---		HEXAGON BOLT	1			M10X70	0,000		
---	0736.300.123	1880233	HEXAGON BOLT	1			M10X70 M10X70	0,000		
---	0666.790.033		SEALCOMPOUND	1				0,310		
180	0736.300.119		HEXAGON BOLT	6		Z00009403410	M10X140 M10X140	0,000		
190	---		HEXAGON BOLT	1		Z00009403410	M10X140	0,000		
---	0736.300.119		HEXAGON BOLT	1		Z00009403412	M10X140 M10X140	0,000		
---	0666.790.033		SEALCOMPOUND	1		Z00009403412		0,310		
230	---		SCREW PLUG	1		Z00010112111	60N.M*DICHTRING M24X1,5	0,000		
---	0636.304.088		SCREW PLUG	1		Z00010112110	M24X1,5	0,000		
---	0730.008.637		SEALING RING	1		Z00010112110	A24X29	0,000		

# Parts list

Page 2 from 3

Material number: 4130.065.212

16 S 251 WSK /

Plant: 068.01.11-1

Material-assembly-group-no: 1316.101.130



Pos.	Material number	Customer material	Name	Quantity	ME	Amend. no.	Techn. Info.	Weight	Rep kit	Alternative material
280	---		SCREW PLUG	1		Z00010112111	60N.M*DICHTRING M24X1,5	0,000		
---	0636.304.088		SCREW PLUG	1		Z00010112110	M24X1,5	0,000		
---	0730.008.637		SEALING RING	1		Z00010112110	A24X29	0,000		
300	0501.318.802	5718 742 08	SCREEN INSERT	1		C01000947C10		0,000		
310	1316.201.056		SPRAY TUBE	1			KPL. IN 1315 201 112(0)	0,000		
340	0634.313.198	1000004936	O-RING	1			20X3	1		
350	---		REVERSE IDLER GEAR	1		C01006413F10		0,000		
---	1316.305.001		REVERSE IDLER GEAR	1			Z22 IN 1295 305 050(1)	0,000		
---	1316.305.008	1882761	REVERSE IDLER GEAR	1			Z22 IN 1295 305 050(1)	0,000		
360	0750.115.369	820-400-2290	NEEDLE CAGE	2			45,0X57,0X25,0	0,000		
370	1316.201.075		REVERSE IDLER SHAFT	1			KPL.16S251*SG/DG*L= 114	0,000		
/120	0631.329.305		SLOTPIN	1			10X130	0,000		
500	---		TYPE PLATE	1			KONZERN	0,000		
---	0730.365.241		TYPE PLATE	1			EINHEITSSCH. VERDREHSICHER	0,000		
---	0730.365.259		TYPE PLATE	1			EINHEITSSCH. VERDREHSICHER	0,000		
---	0730.365.267		TYPE PLATE	1			CHINA	0,000		
---	0730.300.258		TYPE PLATE	1			EINHEITSSCH. VERDREHSICHER	0,000		
---	0730.365.271		TYPE PLATE	1			RUSSLAND/ KYRILLISCH	0,000		
---	0730.365.257		TYPE PLATE	1			S.S.CH IRAN	0,000		
510	0731.300.027		BLIND RIVET	4		Z00007904810		0,000		
530	0501.324.074		MALE COUPLING	1				0,000		
560	1315.201.215		PIPE	1			L=4200MM	0,000		
600	1313.306.013		LOCKING PIN	1				0,000		
620	0732.040.736	2150041300	COMPRSPRING	1				5,200		

# Parts list

Page 3 from 3

Material number: 4130.065.212

16 S 251 WSK /

Plant: 068.01.11-1

Material-assembly-group-no: 1316.101.130



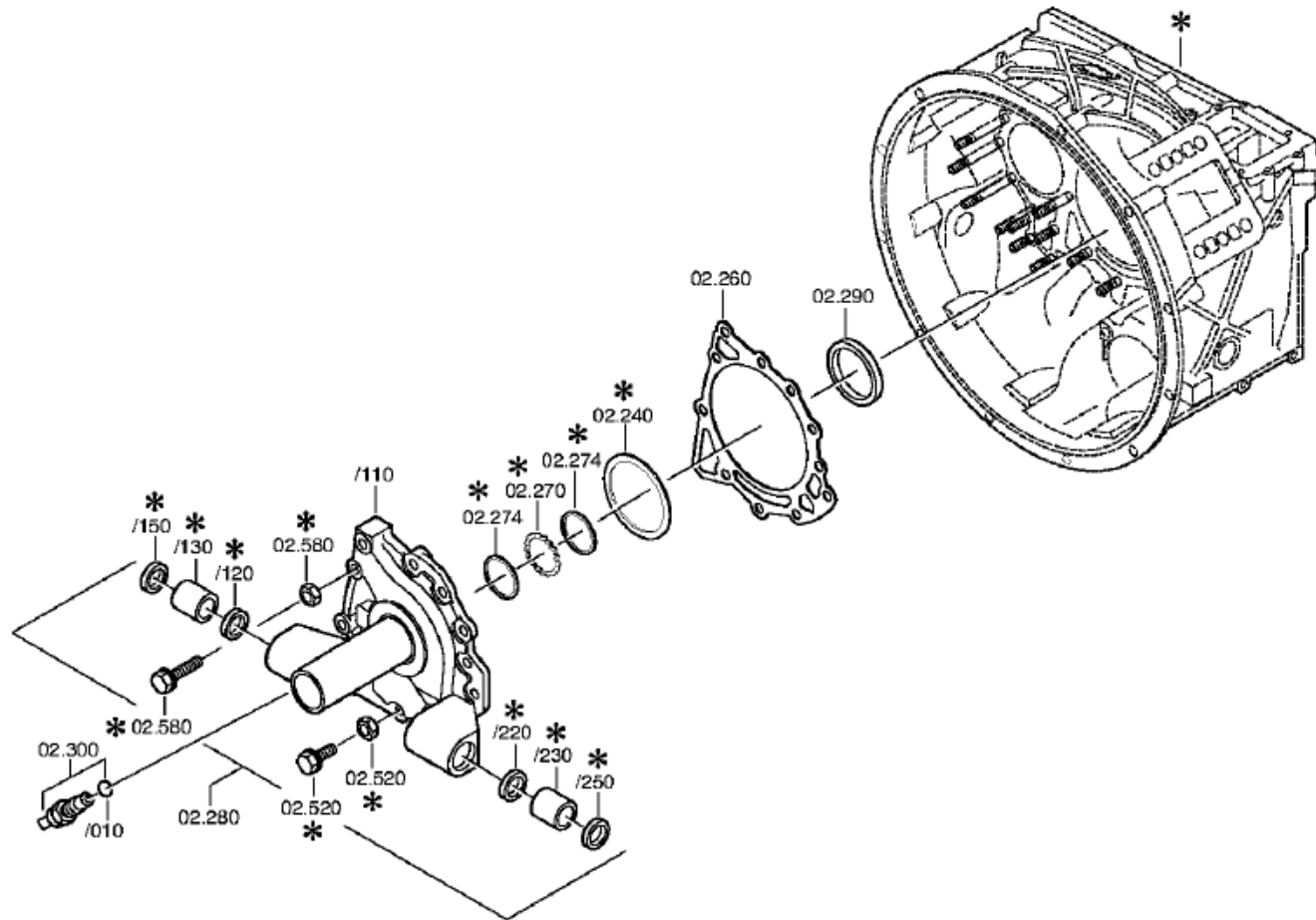
Pos.	Material number	Customer material	Name	Quantity	ME	Amend. no.	Techn. Info.	Weight	Rep kit	Alternative material
630	---		SCREW PLUG	1		Z00010164412	70N.M*DICHTRING M26X1,5	0,000		
---	0636.100.811		SCREW PLUG	1		Z00010164420	M26X1,5	0,000		
---	0634.801.249		SEALING RING	1		Z00010164420	26X31	0,010		
680	0501.315.794		CANNON SOCKET	1		Z00006366310	VOSS M10X1	0,000		
682	0501.315.796		ANGLE PIECE	1			VOSS	0,000		
684	1315.201.215		PIPE	1			L=4200MM	0,000		
690	---		THREADED BUSH	1			M10X1/M16X1,5	0,000		
---	0731.300.035		THREADED BUSH	1		Z00012496810	M10X1/M16X1,5 M10X1/M16X1,5	0,000		
---	0637.100.205		HEXAGON NUT	1		Z00007352410	M16X1,5	0,000		
700	0501.316.560		COVER	1				0,000		
710	---		SCREW PLUG	1		C01004359F10	15N.M*DICHTRING M10X1	0,000		
---	0636.100.793		SCREW PLUG	1		Z00010111613	M10X1	0,000		
---	0730.008.055		SEALING RING	1			A10X14	0,000		
730	---		SEALING CAP	1				0,000		
---	0630.100.226		SEALING CAP	1		Z00007286712		0,000		

# Plant

Page 1 from 3

Material number: 4130.065.212  
Plant: 068.02.58-1  
INPUT SHAFT

16 S 251 WSK /  
CONNPLATE

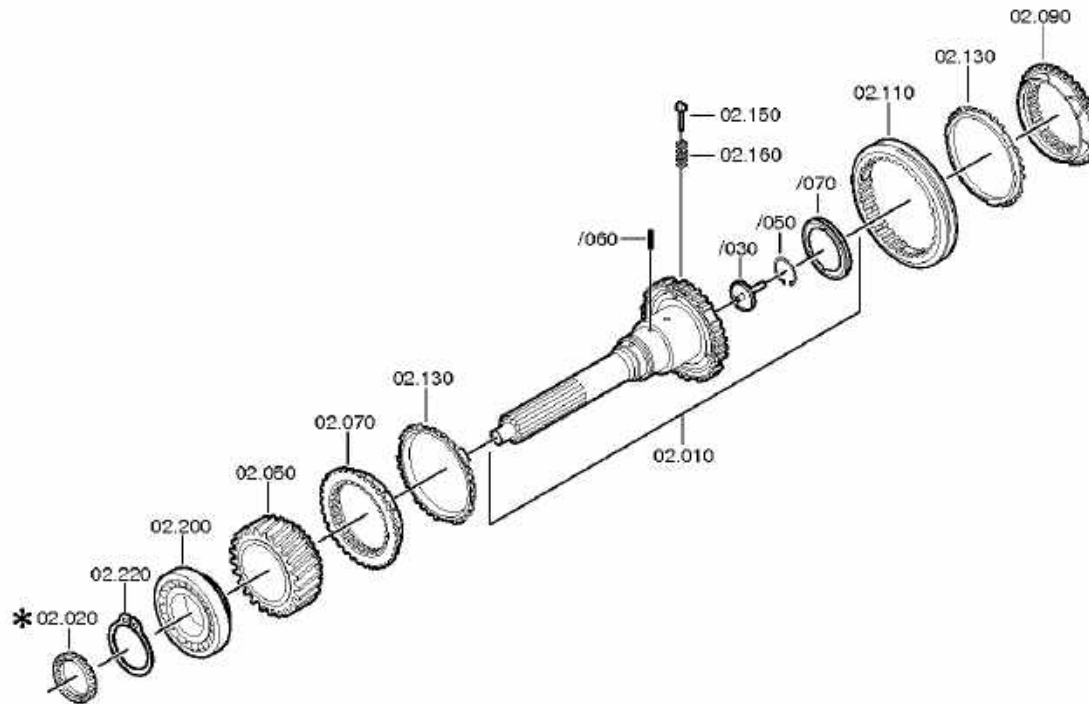


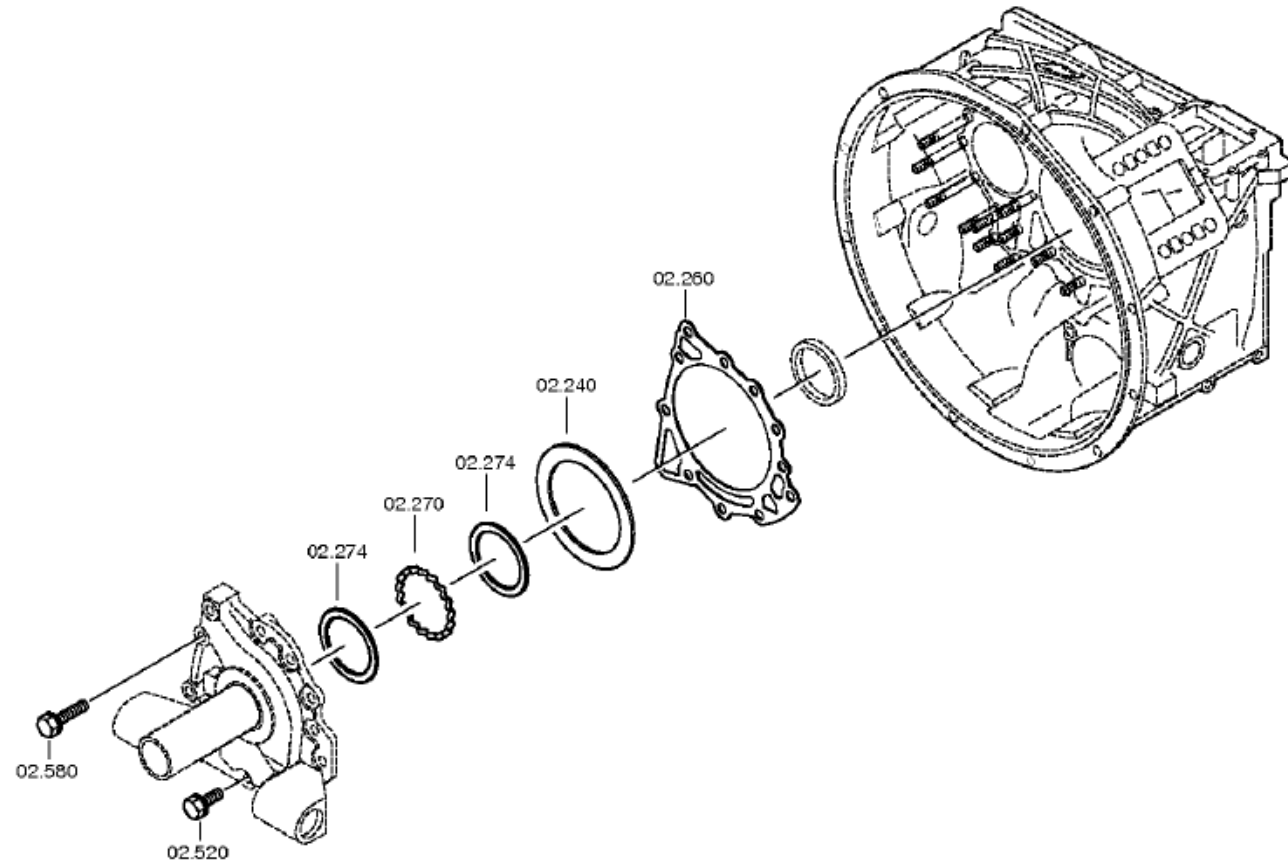
# Plant

Page 2 from 3

Material number: 4130.065.212  
Plant: 068.02.02-1  
INPUT SHAFT

16 S 251 WSK /  
CONNPLATE





# Parts list

Page 1 from 3

Material number: 4130.065.212

16 S 251 WSK /

Plant: 068.02.58-1

Material-assembly-group-no: 1315.102.427



Pos.	Material number	Customer material	Name	Quantity	ME	Amend. no.	Techn. Info.	Weight	Rep kit	Alternative material
10	1316.202.033		INPUT SHAFT	1			KPL.L238,2*WSK* GL100*Z25	0,000		
/30	1354.302.019		PIPE	1		Z00003830511		0,000		
/50	0630.502.027		RETAINING RING	1			50X2	8		
/70	0750.101.179		OIL DAM	1		Z00007187910	88,0X95,5X6,0	0,000		
20	4130.309.063	6680123481885	COUNTING DISC	1			Z22 IN 4130 309 069(2)	0,000		
50	1316.302.067		HELICAL GEAR	1			Z35 IN 1316 302 026(1)	0,000		
70	1312.304.027	133-461-3080	CLUTCH BODY	1			ENTHALT.IN 1310 304 107(1)	0,000		
90	1312.304.027	133-461-3080	CLUTCH BODY	1		C01004681D10	ENTHALT.IN 1310 304 107(1)	0,000		
110	1310.304.202	133-421-3670	SLIDING SLEEVE	1		C01005378A10		0,000		
130	1297.304.484	5 5304 0	SYNCHRORING	2				0,000		
150	1297.304.436		PRESSURE PIECE	3				0,004		
160	0732.040.409		COMPRSPRING	3		C01007317F10		0,002		
200	0750.117.732	820-400-2350	TAROLLBEARING	1			85,0X150,0X30,5	0,000		
220	0730.501.598		RETAINING RING	1		C01007992110	85X4	0,000		
240	---		SHIM	1			S= 0,90- 2,20( ABSTUFUNG:0,05MM)	0,000		
---	2050.309.094		SHIM	1			A=2,2 IN 2050 309 090 C45E WW.F500 ZFN410	0,000		
---	0730.007.489		SHIM	1			A=2,15 IN 2050 309 090(2)	0,000		
---	0730.007.488		SHIM	1			A=2,10 IN 2050 309 090(2)	0,000		
---	0730.007.487		SHIM	1			A=2,05 IN 2050 309 090(2)	0,000		
---	0730.007.486		SHIM	1			A=2,00 IN 2050 309 090(2)	0,000		
---	0730.007.485		SHIM	1			A=1,95 IN 2050 309 090(2)	0,000		



# Parts list

Page 2 from 3

Material number: 4130.065.212

16 S 251 WSK /

Plant: 068.02.58-1

Material-assembly-group-no: 1315.102.427



Pos.	Material number	Customer material	Name	Quantity	ME	Amend. no.	Techn. Info.	Weight	Rep kit	Alternative material
---	0730.007.484		SHIM	1			A=1,90 IN 2050 309 090(2)	0,000		
---	0730.007.483		SHIM	1			A=1,85 IN 2050 309 090(2)	0,000		
---	0730.007.482		SHIM	1			A=1,80 IN 2050 309 090(2)	0,000		
---	0730.007.481		SHIM	1			A=1,75 IN 2050 309 090(2)	0,000		
---	0730.007.480	1833896	SHIM	1			A=1,70 IN 2050 309 090(2)	0,000		
---	0730.007.479		SHIM	1			A=1,65 IN 2050 309 090(2)	0,000		
---	0730.007.136		SHIM	1			A=1,60 IN 2050 309 090(2)	0,000		
---	0730.007.135		SHIM	1			A=1,55 IN 2050 309 090(2)	0,000		
---	0730.007.134		SHIM	1			A=1,50 IN 2050 309 090(2)	0,000		
---	0730.007.133		SHIM	1			A=1,45 IN 2050 309 090(2)	0,000		
---	0730.007.132		SHIM	1			A=1,40 IN 2050 309 090(2)	0,000		
---	0730.007.131		SHIM	1			A=1,35 IN 2050 309 090(2)	0,000		
---	0730.007.130		SHIM	1			A=1,30 IN 2050 309 090(2)	0,000		
---	0730.007.129		SHIM	1			A=1,25 IN 2050 309 090(2)	0,000		
---	2050.309.034		SHIM	1			A=1,2 IN 2050 309 090 C45E WW.F500 ZFN410	0,000		
---	0730.007.128		SHIM	1			A=1,15 IN 2050 309 090(2)	0,000		

# Parts list

Page 3 from 3

Material number: 4130.065.212

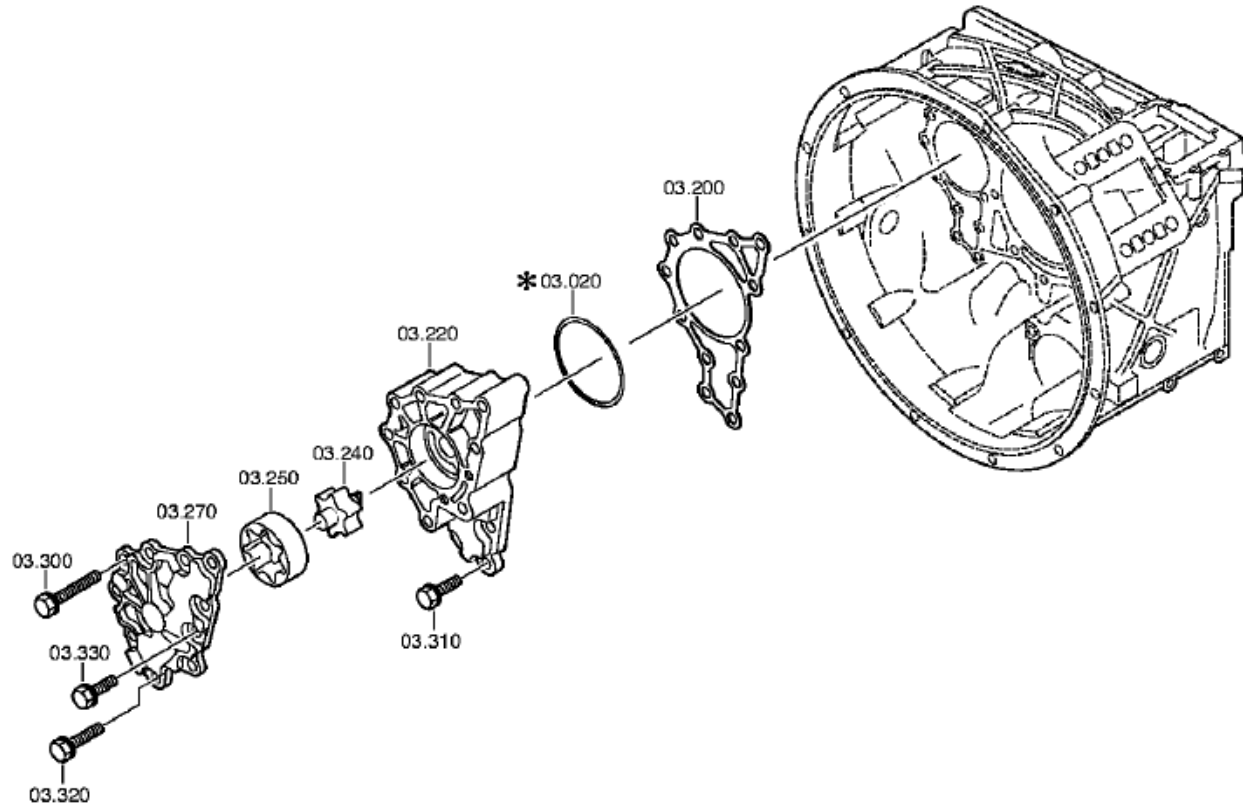
16 S 251 WSK /

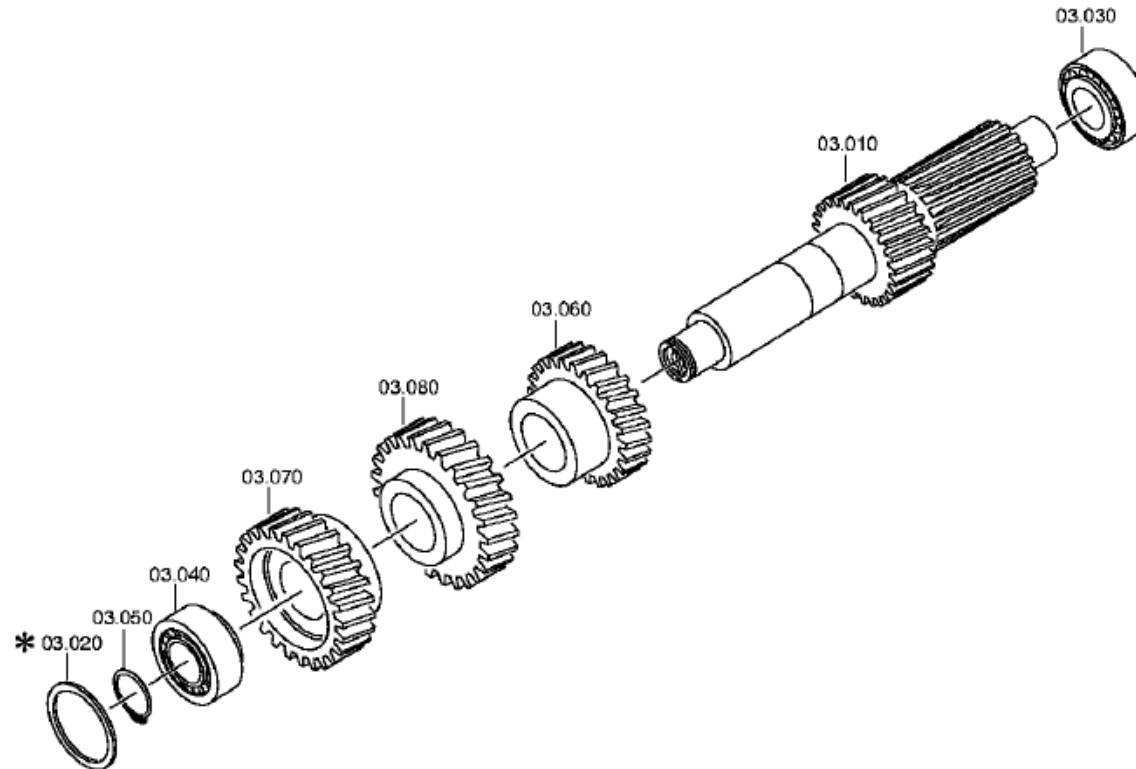
Plant: 068.02.58-1

Material-assembly-group-no: 1315.102.427



Pos.	Material number	Customer material	Name	Quantity	ME	Amend. no.	Techn. Info.	Weight	Rep kit	Alternative material
---	0730.007.127		SHIM	1			A=1,10 IN 2050 309 090(2)	0,000		
---	0730.007.126		SHIM	1			A=1,05 IN 2050 309 090(2)	0,000		
---	2050.309.065		SHIM	1			A=1,0 IN 2050 309 090 C45E WW.F500 ZFN410	0,000		
---	0730.005.749		SHIM	1			A=0,95 IN 2050 309 090(2)	0,000		
---	0730.005.748	5 5258 0	SHIM	1			A=0,90 IN 2050 309 090(2)	0,000		
260	0501.314.587	133-188-2550	GASKET	1				0,000		
270	1315.302.040		SPACER RING	1				0,000		
274	0730.150.766		WASHER	2				0,000		
280	1315.202.060		CONNPLATE	1			KPL.	0,000		
/130	0730.260.398		BUSH	1			A=25,00	0,000		
/230	0730.260.398		BUSH	1			A=25,00	0,000		
290	0734.310.104	8 8281 0	SHAFT SEAL	1			52X68X8 FA.CFW	0,000		
300	---		INDTRANSMITTER	1		C01005912D10		0,055		
---	0501.209.719	9300062	INDTRANSMITTER	1				0,055		
/10	0734.313.125	9303094	ROUND SEALING RING	1				0,002		
520	0636.015.685		HEXAGON BOLT	8		Z00009177310	M10X35	0,000		
580	0636.102.270	1877892	HEXAGON BOLT	3		Z00009177410	M10X60	0,000		





# Parts list

Page 1 from 3

Material number: 4130.065.212

16 S 251 WSK /

Plant: 068.03.80-1

Material-assembly-group-no: 1316.103.803



Pos.	Material number	Customer material	Name	Quantity	ME	Amend. no.	Techn. Info.	Weight	Rep kit	Alternative material
10	1316.303.038		LAYSHAFT	1			Z17/20	0,000		
20	---		SHIM	1			S= 1,85- 3,25( ABSTUFUNG:0,05MM)	0,000		
---	0730.112.938		SHIM	1		C01007375C10	A=3,25	0,000		
---	0730.112.937		SHIM	1		C01007375C10	A=3,20	0,000		
---	0730.112.936		SHIM	1		C01007375C10	A=3,15	0,000		
---	0730.112.935		SHIM	1		C01007375C10	A=3,10	0,000		
---	0730.106.860		SHIM	1		C01007375C10	A=3,05 IN 0730 106 904(2)	0,000		
---	0730.106.917		SHIM	1			A=3,00 IN 0730 106 904(2)	0,000		
---	0730.106.916	1833921	SHIM	1			A=2,95 IN 0730 106 904(2)	0,000		
---	0730.106.915	1833920	SHIM	1			A=2,90 IN 0730 106 904(2)	0,000		
---	0730.106.914	1833919	SHIM	1			A=2,85 IN 0730 106 904(2)	0,000		
---	0730.106.913	1833918	SHIM	1			A=2,80 IN 0730 106 904(2)	0,000		
---	0730.106.912		SHIM	1			A=2,75 IN 0730 106 904(2)	0,000		
---	0730.106.911	1833917	SHIM	1			A=2,70 IN 0730 106 904(2)	0,000		
---	0730.106.910	1833916	SHIM	1			A=2,65 IN 0730 106 904(2)	0,000		
---	0730.106.909	1833915	SHIM	1			A=2,60 IN 0730 106 904(2)	0,000		
---	0730.106.908	1833914	SHIM	1			A=2,55 IN 0730 106 904(2)	0,000		
---	0730.100.799		SHIM	1			A=2,50 IN 0730 106 904(2)	0,000		

# Parts list

Page 2 from 3

Material number: 4130.065.212

16 S 251 WSK /

Plant: 068.03.80-1

Material-assembly-group-no: 1316.103.803



Pos.	Material number	Customer material	Name	Quantity	ME	Amend. no.	Techn. Info.	Weight	Rep kit	Alternative material
---	0730.100.800	1833898	SHIM	1			A=2,45 IN 0730 106 904(2)	0,000		
---	0730.100.801		SHIM	1			A=2,40 IN 0730 106 904(2)	0,000		
---	0730.100.802	1833900	SHIM	1			A=2,35 IN 0730 106 904(2)	0,000		
---	0730.100.803	1833905	SHIM	1			A=2,30 IN 0730 106 904(2)	0,000		
---	0730.101.466		SHIM	1			A=2,25 IN 0730 106 904(2)	0,000		
---	0730.101.467	1833906	SHIM	1			A=2,20 IN 0730 106 904(2)	0,000		
---	0730.101.468	1833907	SHIM	1			A=2,15 IN 0730 106 904(2)	0,000		
---	0730.101.469	1833909	SHIM	1			A=2,10 IN 0730 106 904(2)	0,000		
---	0730.101.470	1833910	SHIM	1			A=2,05 IN 0730 106 904(2)	0,000		
---	0730.101.471		SHIM	1			A=2,00 IN 0730 106 904(2)	0,000		
---	0730.106.907	1833912	SHIM	1			A=1,95 IN 0730 106 904(2)	0,000		
---	0730.106.906	1833911	SHIM	1			A=1,90 IN 0730 106 904(2)	0,000		
---	0730.106.905		SHIM	1			A=1,85 IN 0730 106 904(2)	0,000		
30	0735.371.604		TAROLLBEARING	1			49,2X103,1X43,6 FA.TIMKEN	0,000		
40	0735.371.604		TAROLLBEARING	1			49,2X103,1X43,6 FA.TIMKEN	0,000		
50	---		RETAINING RING	1		C01002877A10	S= 2,40- 3,00( ABSTUFUNG:0,05MM)	0,000		

# Parts list

Page 3 from 3

Material number: 4130.065.212

16 S 251 WSK /

Plant: 068.03.80-1

Material-assembly-group-no: 1316.103.803



Pos.	Material number	Customer material	Name	Quantity	ME	Amend. no.	Techn. Info.	Weight	Rep kit	Alternative material
---	0630.531.065	VOE12743111	RETAINING RING	1			50X3	16		
---	0630.501.111		RETAINING RING	1			50X2,95	0,000		
---	0630.501.112	0002640551	RETAINING RING	1			50X2,9	0,000		
---	0630.501.113		RETAINING RING	1			50X2,85	0,000		
---	0630.501.114	5004853	RETAINING RING	1			50X2,8	0,000		
---	0630.501.115		RETAINING RING	1			50X2,75	0,000		
---	0630.501.116	5004854	RETAINING RING	1			50X2,7	0,000		
---	0630.501.117		RETAINING RING	1			50X2,65	0,000		
---	0630.501.118	0002641251	RETAINING RING	1			50X2,6	0,000		
---	0630.501.160		RETAINING RING	1			50X2,55	0,000		
---	0630.531.064	1663657	RETAINING RING	1			50X2,5	0,100		
---	0630.501.159		RETAINING RING	1			50X2,45	0,000		
---	0630.501.148	0002641051	RETAINING RING	1			50X2,4	0,000		
60	1316.303.040		HELICAL GEAR	1			3G*Z26 IN 1312 303 018(1)	0,000		
70	1316.303.071		HELICAL GEAR	1			KON 1	0,000		
80	1316.303.065		HELICAL GEAR	1			Z35 IN 1312 303 013(1)	0,000		
200	1315.303.060		GASKET	1		C01005349C10		0,000		
220	---		PUMP HOUSING	1			GD*GSLS	0,000		
---	1315.302.121	5 5355 0	PUMP HOUSING	1				0,000		
---	1315.302.117		PUMP HOUSING	1				0,000		
240	1314.202.039	169-831-0020	PUMP SHAFT	1			KPL.	0,000		
250	1315.303.027	169-833-0010	ROTOR	1				0,000		
270	---		PUMP COVER	1			GD*GSLS	0,000		
---	1315.302.120	5 5855 0	PUMP COVER	1				0,000		
---	1315.302.116		PUMP COVER	1				0,000		
300	0636.015.684		HEXAGON BOLT	8		Z00009177510	M10X85	0,000		
310	0636.015.685		HEXAGON BOLT	3		Z00009177310	M10X35	0,000		
320	0636.102.270	1877892	HEXAGON BOLT	1		Z00009177410	M10X60	0,000		
330	0636.015.685		HEXAGON BOLT	2		Z00009177310	M10X35	0,000		

# Plant

Page 1 from 1

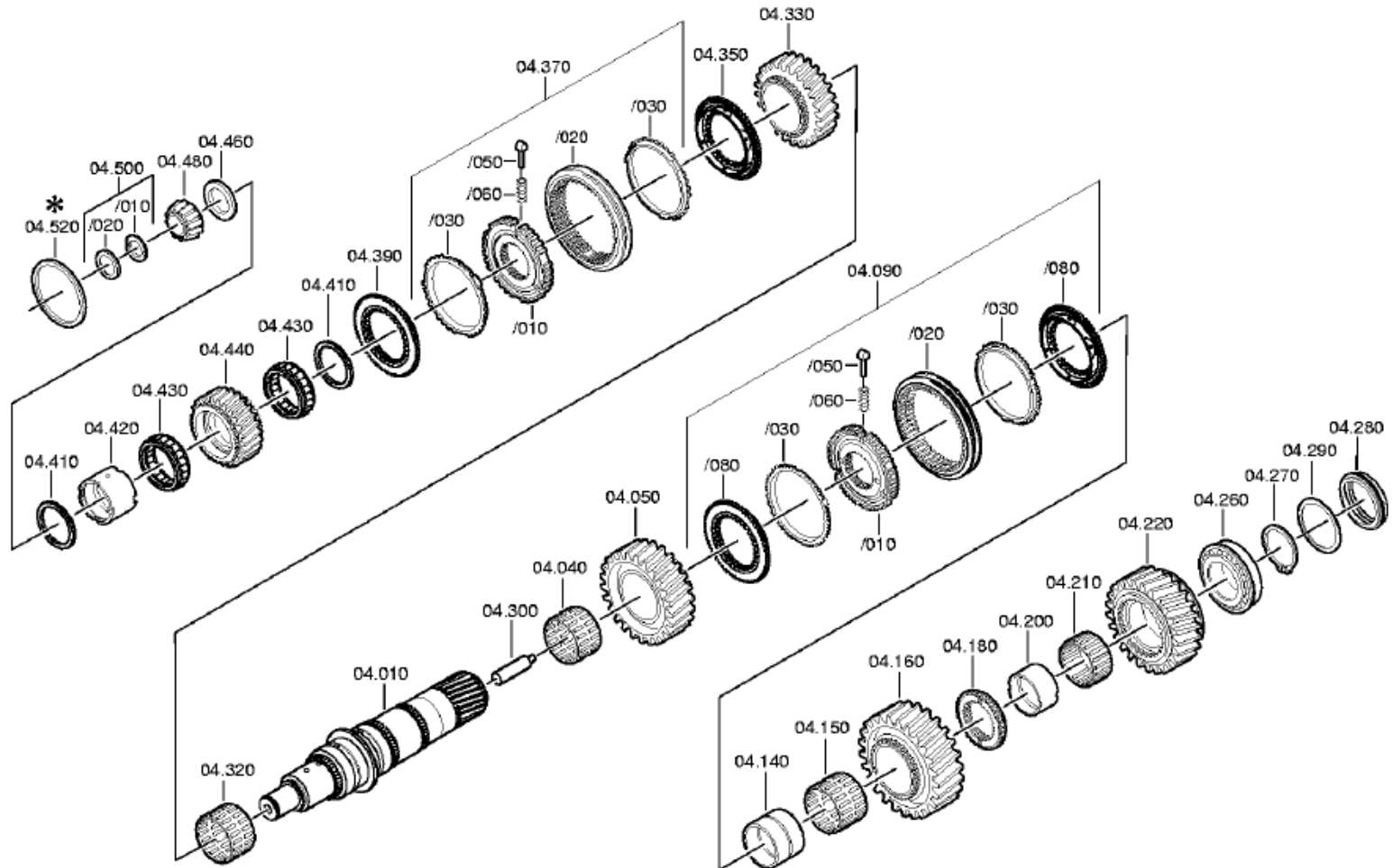
Material number: 4130.065.212

Plant: 068.04.14-1

Material-assembly-group-no: 1316.104.041

16 S 251 WSK /

MAIN SHAFT





# Parts list

Page 1 from 4

Material number: 4130.065.212

16 S 251 WSK /

Plant: 068.04.14-1

Material-assembly-group-no: 1316.104.041



Pos.	Material number	Customer material	Name	Quantity	ME	Amend. no.	Techn. Info.	Weight	Rep kit	Alternative material
10	1316.304.131		MAIN SHAFT	1				0,000		
40	0750.115.303	820-400-2490	NEEDLE CAGE	1			92,0X100,0X63,0	0,000		
50	1316.304.002	133-242-3900	HELICAL GEAR	1			2G/Z38 IN 1316 304 005(1)	0,000		
90	1356.204.007		SYNCHRONIZER	1		Z00006981310	KPL.1+2G*BK160 MOLYBDAEN* ECOSPLIT 3+4	0,000		
/10	1356.304.022		SYNCHROBODY	1		Z00006981313		0,000		
/20	1356.304.024	1865591	SLIDING SLEEVE	1		Z00006981313	ZF-BK 160	0,000		
/30	1316.304.170		SYNCHRO RING	2		Z00006981313		0,000		
/50	1297.304.436		PRESSURE PIECE	3		Z00006981313		0,004		
/60	0732.040.409		COMPRSPRING	3		Z00006981313		0,002		
/80	1316.304.156		CLUTCH BODY	2		Z00006981313		0,000		
140	1312.304.084	820-400-2530	BUSH	1			ENTHALT.IN 1312 304 007(2)	0,000		
150	0750.115.327	5 8157 0	NEEDLE CAGE	1			96,0X104,0X72,0	0,000		
160	1316.304.010	133-242-3910	HELICAL GEAR	1			1G/Z47 IN 1312 304 033(0)	0,000		
180	1312.304.124		CLUTCH BODY	1			ENTHALT.IN 1312 304 055(0)	0,000		
200	1316.304.133	820-400-2550	BUSH	1			A=50,00 IN 1312 304 010(2)	0,000		
210	0750.115.326	820-400-2560	NEEDLE CAGE	1			90,0X98,0X50,0	0,000		
220	---		HELICAL GEAR	1				0,000		
---	1316.304.012	133-242-3920	HELICAL GEAR	1			RG*Z44 IN 1312 304 125(0)	0,000		
260	0750.117.678	820-400-2570	TAROLLBEARING	1			80,0X140,0X36,5	0,000		
270	---		RETAINING RING	1			S= 2,20- 3,65( ABSTUFUNG:0,06MM)	0,000		
---	0630.501.316	820-400-2580	RETAINING RING	1			80X3,5	0,000		
---	0630.501.336	820-400-2581	RETAINING RING	1			80X3,45	0,000		
---	0630.501.315	820-400-2582	RETAINING RING	1			80X3,4	0,000		

# Parts list

Page 2 from 4

Material number: 4130.065.212

16 S 251 WSK /

Plant: 068.04.14-1

Material-assembly-group-no: 1316.104.041



Pos.	Material number	Customer material	Name	Quantity	ME	Amend. no.	Techn. Info.	Weight	Rep kit	Alternative material
---	0630.501.335	820-400-2583	RETAINING RING	1			80X3,35	0,000		
---	0630.501.314	820-400-2584	RETAINING RING	1			80X3,3	0,000		
---	0630.501.334	820-400-2585	RETAINING RING	1			80X3,25	0,000		
---	0630.501.313	820-400-2586	RETAINING RING	1			80X3,2	0,000		
---	0630.501.333	820-400-2587	RETAINING RING	1			80X3,15	0,000		
---	0630.501.312	820-400-2588	RETAINING RING	1			80X3,1	0,000		
---	0630.501.337	820-400-2589	RETAINING RING	1			80X3,55	0,000		
---	0630.501.338	820-400-2590	RETAINING RING	1			80X3,6	0,000		
---	0630.501.339	820-400-2591	RETAINING RING	1			80X3,65	0,000		
280	1316.332.111		PRESSURE DISC	1		C01005405C10		0,000		
290	---		SHIM	1			S= 1,70- 2,40( ABSTUFUNG:0,10MM)	0,000		
---	0730.109.991		SHIM	1			A=2,40 IN 0730 109 994(2)	0,000		
---	0730.109.990		SHIM	1			A=2,30 IN 0730 109 994(2)	0,000		
---	0730.109.989		SHIM	1			A=2,20 IN 0730 109 994(2)	0,000		
---	0730.109.988		SHIM	1			A=2,10 IN 0730 109 994(2)	0,000		
---	0730.110.361		SHIM	1			A=2,00 IN 0730 109 994(2)	0,000		
---	0730.110.360		SHIM	1			A=1,90 IN 0730 109 994(2)	0,000		
---	0730.110.359		SHIM	1			A=1,80 IN 0730 109 994(2)	0,000		
---	0730.110.358		SHIM	1			A=1,70 IN 0730 109 994(2)	0,000		
300	1316.304.093		PIPE	1		C01004662F10		0,000		
320	0750.115.303	820-400-2490	NEEDLE CAGE	1			92,0X100,0X63,0	0,000		
330	1316.304.066		HELICAL GEAR	1			3G*Z34	0,000		
350	1316.304.190		CLUTCH BODY	1		Z00006981311	ZF-BK 144 O	0,000		

# Parts list

Page 3 from 4

Material number: 4130.065.212

16 S 251 WSK /

Plant: 068.04.14-1

Material-assembly-group-no: 1316.104.041



Pos.	Material number	Customer material	Name	Quantity	ME	Amend. no.	Techn. Info.	Weight	Rep kit	Alternative material
370	1356.204.006		SYNCHRONIZER	1		Z00006981311	KPL.3+4G*BK144 MOLYBDAEN* ANSCHL.INTEGR VERST*ECOSPLIT 3+4	0,000		
/10	1356.304.019		SYNCHROBODY	1		Z00006981313		0,000		
/20	1356.304.023		SLIDING SLEEVE	1		Z00006981313	ZF-BK 144	0,000		
/30	1316.304.189	1832004	SYNCHRORING	2		Z00006981313	ZF-BK 144	0,000		
/50	1297.304.436		PRESSURE PIECE	3		Z00006981313		0,004		
/60	0732.040.409		COMPRSPRING	3		Z00006981313		0,002		
390	1316.304.190		CLUTCH BODY	1		Z00006981311	ZF-BK 144 O	0,000		
410	0750.101.158		THRUST WASHER	2				0,000		
420	0750.119.124	5 8910 0	INNER RING	1			67,0X77,0X66,1	0,000		
430	0750.115.531	5 8908 0	ROLLER CAGE	2			77,0X101,0X29,0	0,000		
440	1316.304.103	133-242-3940	HELICAL GEAR	1			Z32	0,000		
460	---		AXIAL WASHER	1			S= 7,30- 8,00( ABSTUFUNG:0,10MM)	0,000		
---	1315.304.048	5 5877 0	AXIAL WASHER	1			A=8,00 IN 1315 304 042(2)	0,000		
---	1315.304.047	5 5859 0	AXIAL WASHER	1			A=7,90 IN 1315 304 042(2)	0,000		
---	1315.304.046		AXIAL WASHER	1			A=7,80 IN 1315 304 042(2)	0,000		
---	1315.304.045	5 5858 0	AXIAL WASHER	1			A=7,70 IN 1315 304 042(2)	0,000		
---	1315.304.044		AXIAL WASHER	1			A=7,60 IN 1315 304 042(2)	0,000		
---	1315.304.043		AXIAL WASHER	1			A=7,50 IN 1315 304 042(2)	0,000		
---	1315.304.085		AXIAL WASHER	1			A=7,40 IN 1315 304 042(2)	0,000		
---	1315.304.086	1833949	AXIAL WASHER	1			A=7,30 IN 1315 304 042(2)	0,000		

# Parts list

Page 4 from 4

Material number: 4130.065.212

16 S 251 WSK /

Plant: 068.04.14-1

Material-assembly-group-no: 1316.104.041



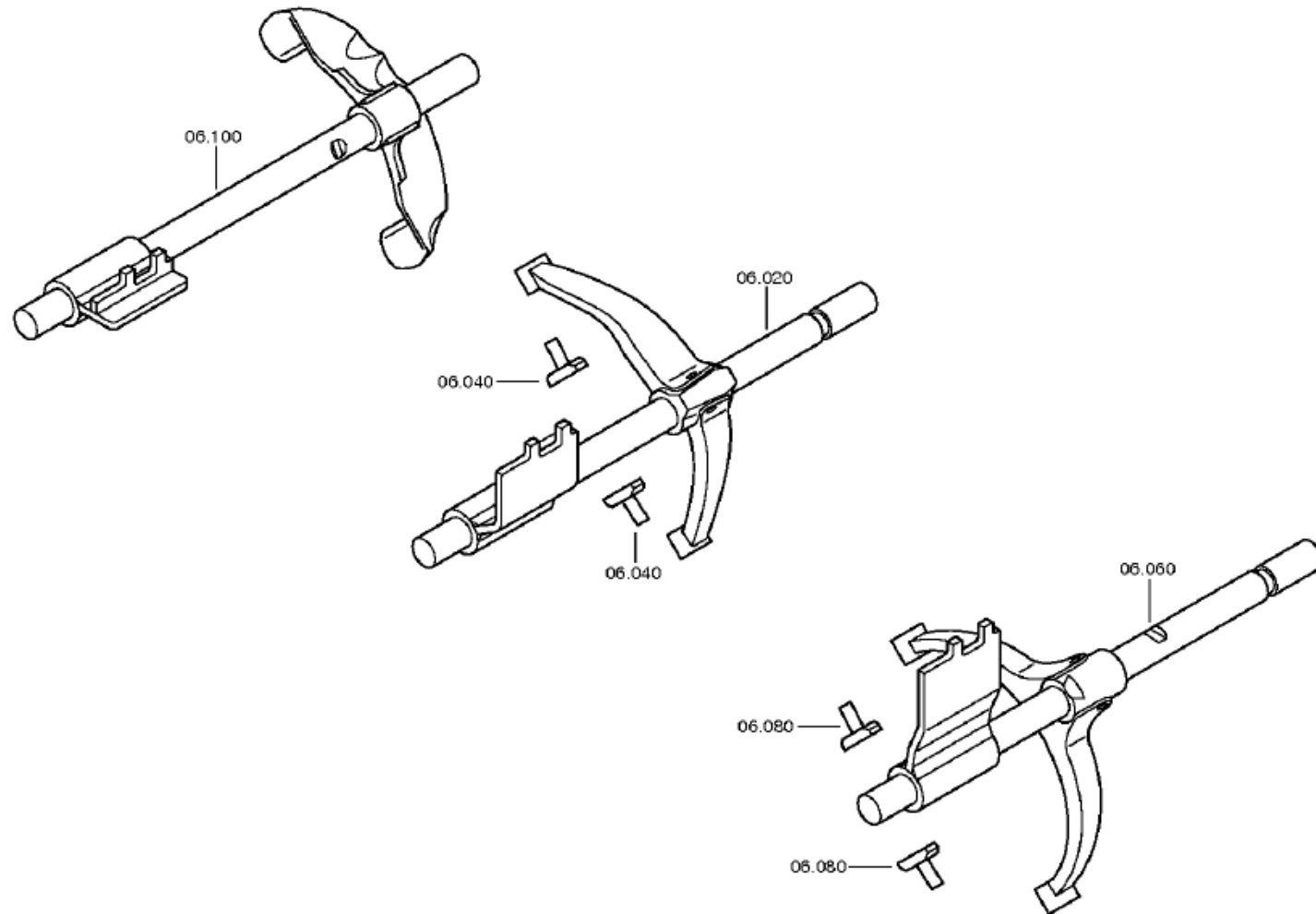
Pos.	Material number	Customer material	Name	Quantity	ME	Amend. no.	Techn. Info.	Weight	Rep kit	Alternative material
480	0750.117.232	820-400-2650	TAROLLBEARING	1			42,0X40,3	0,000		
500	1312.204.040		SPLIT RING	1			GESTANZT	0,000		
/10	---		SPLIT RING	2			S= 4,60- 5,00( ABSTUFUNG:0,10MM)	0,000		
---	0730.107.023	820-400-2660	SPLIT RING	2			A=5,00 IN 0730 106 207(2)	0,000		
---	0730.107.022	820-400-2661	SPLIT RING	2			A=4,90 IN 0730 106 207(2)	0,000		
---	0730.107.021	820-400-2662	SPLIT RING	2			A=4,80 IN 0730 106 207(2)	0,000		
---	0730.107.020	820-400-2663	SPLIT RING	2			A=4,70 IN 0730 106 207(2)	0,000		
---	0730.107.019	820-400-2664	SPLIT RING	2			A=4,60 IN 0730 106 207(2)	0,000		
/20	0730.062.781	820-400-2670	RETAINING RING	1			ENTHALT.IN 0730 062 636(2)	0,000		

# Plant

Page 1 from 3

Material number: 4130.065.212  
Plant: 068.06.01-1  
GEAR SHIFT SYSTEM

16 S 251 WSK /  
GEAR SHIFT SYSTEM

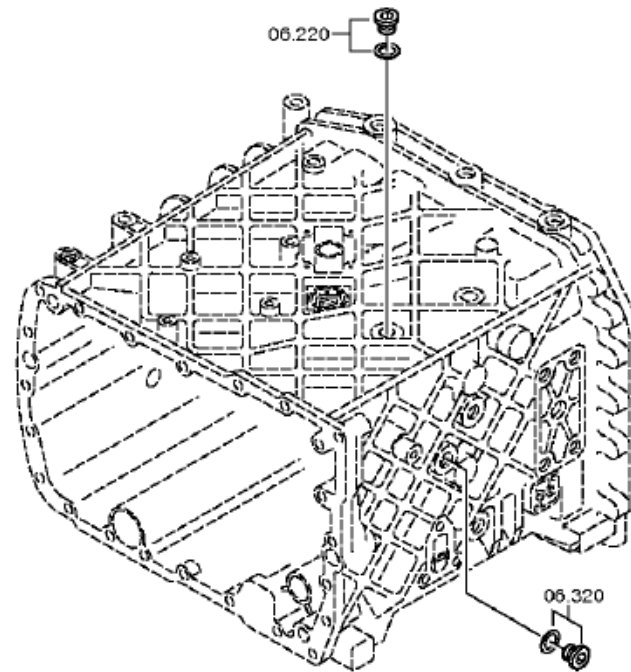


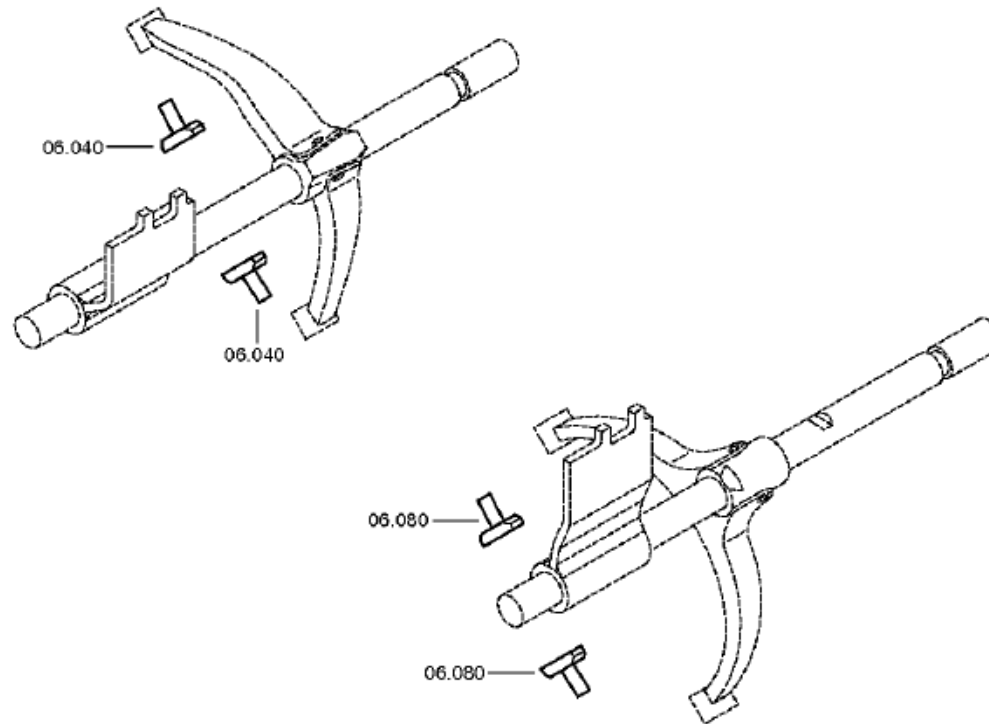
# Plant

Page 2 from 3

Material number: 4130.065.212  
Plant: 068.06.43-1  
GEAR SHIFT SYSTEM

16 S 251 WSK /  
GEAR SHIFT SYSTEM





# Parts list

Page 1 from 1

Material number: 4130.065.212

16 S 251 WSK /

Plant: 068.06.01-1

Material-assembly-group-no: 1316.106.008



Pos.	Material number	Customer material	Name	Quantity	ME	Amend. no.	Techn. Info.	Weight	Rep kit	Alternative material
20	1316.206.055		GEAR SHIFT RAIL	1			1+2GANG*LANG*WI	0,000		
40	1316.306.015	5 5342 0	SLIDING PAD	2				0,000		
60	1316.206.058		GEAR SHIFT RAIL	1			3+4GANG*LANG*WI	0,000		
/10	1316.306.030		GEAR SHIFT RAIL	1				0,000		
/20	1325.306.028		GEAR SHIFT FORK	1			3/4G	0,000		
/50	0631.329.086	0148103897	SLOTPIN	1			8X40	7,800		
/60	0631.329.057		SLOTPIN	1			5X40	3,200		
80	1316.306.015	5 5342 0	SLIDING PAD	2				0,000		
100	1316.206.061		GEAR SHIFT RAIL	1			R-GANG*LANG*WI	0,000		
/10	1316.306.028		GEAR SHIFT RAIL	1				0,000		
/20	1355.306.003		GEAR SHIFT FORK	1			RG	0,000		
/50	0631.329.086	0148103897	SLOTPIN	1			8X40	7,800		
/60	0631.329.057		SLOTPIN	1			5X40	3,200		
220	---		SCREW PLUG	1		Z00010111513	35N.M*DICHTRING M18X1,5	0,000		
---	0636.100.791		SCREW PLUG	1		Z00010111521	M18X1,5	0,000		
---	0634.801.062		SEALING RING	1		Z00010111521	18X24	0,001		
320	---		SCREW PLUG	1		Z00010111513	35N.M*DICHTRING M18X1,5	0,000		
---	0636.100.791		SCREW PLUG	1		Z00010111521	M18X1,5	0,000		
---	0634.801.062		SEALING RING	1		Z00010111521	18X24	0,001		

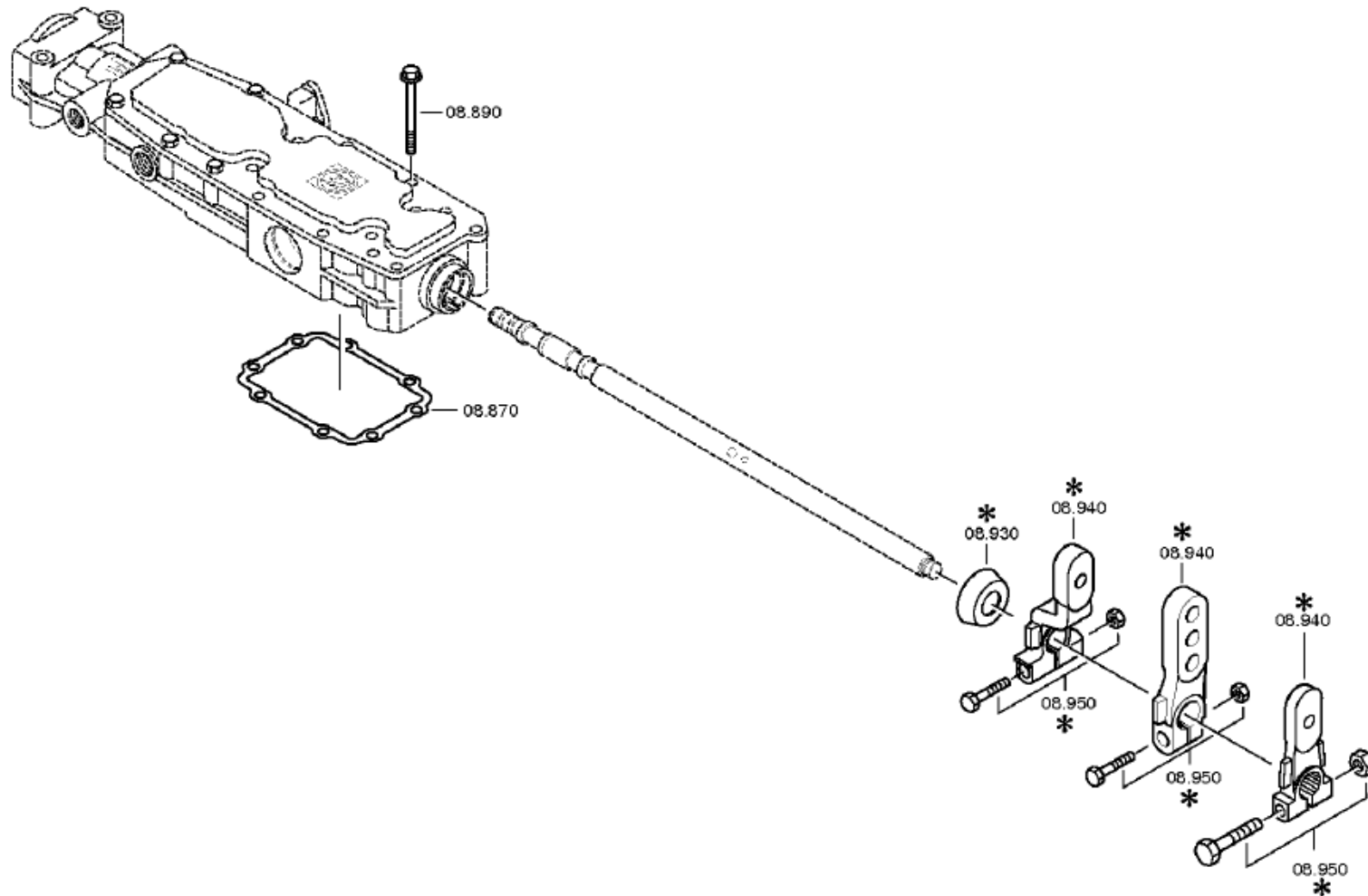


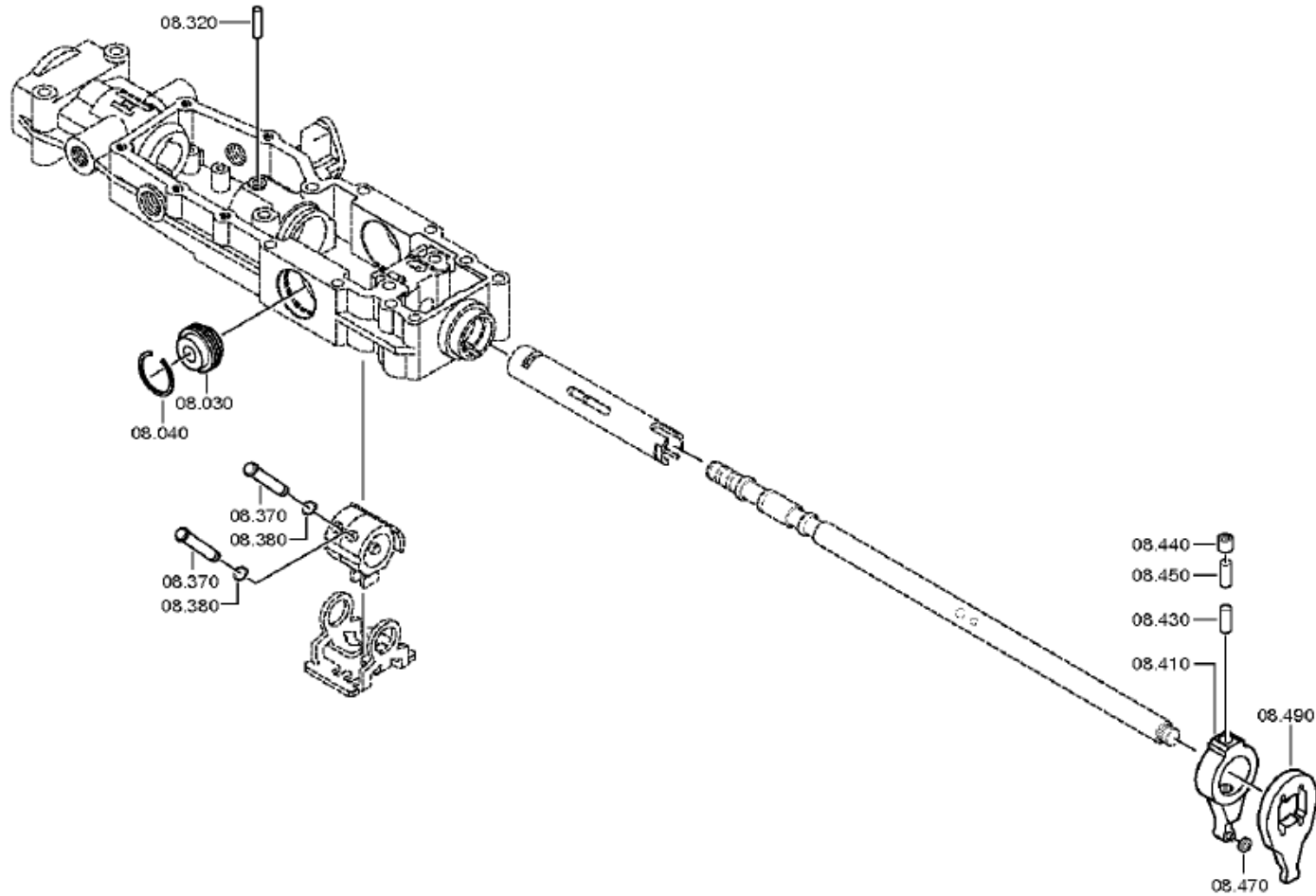
# Plant

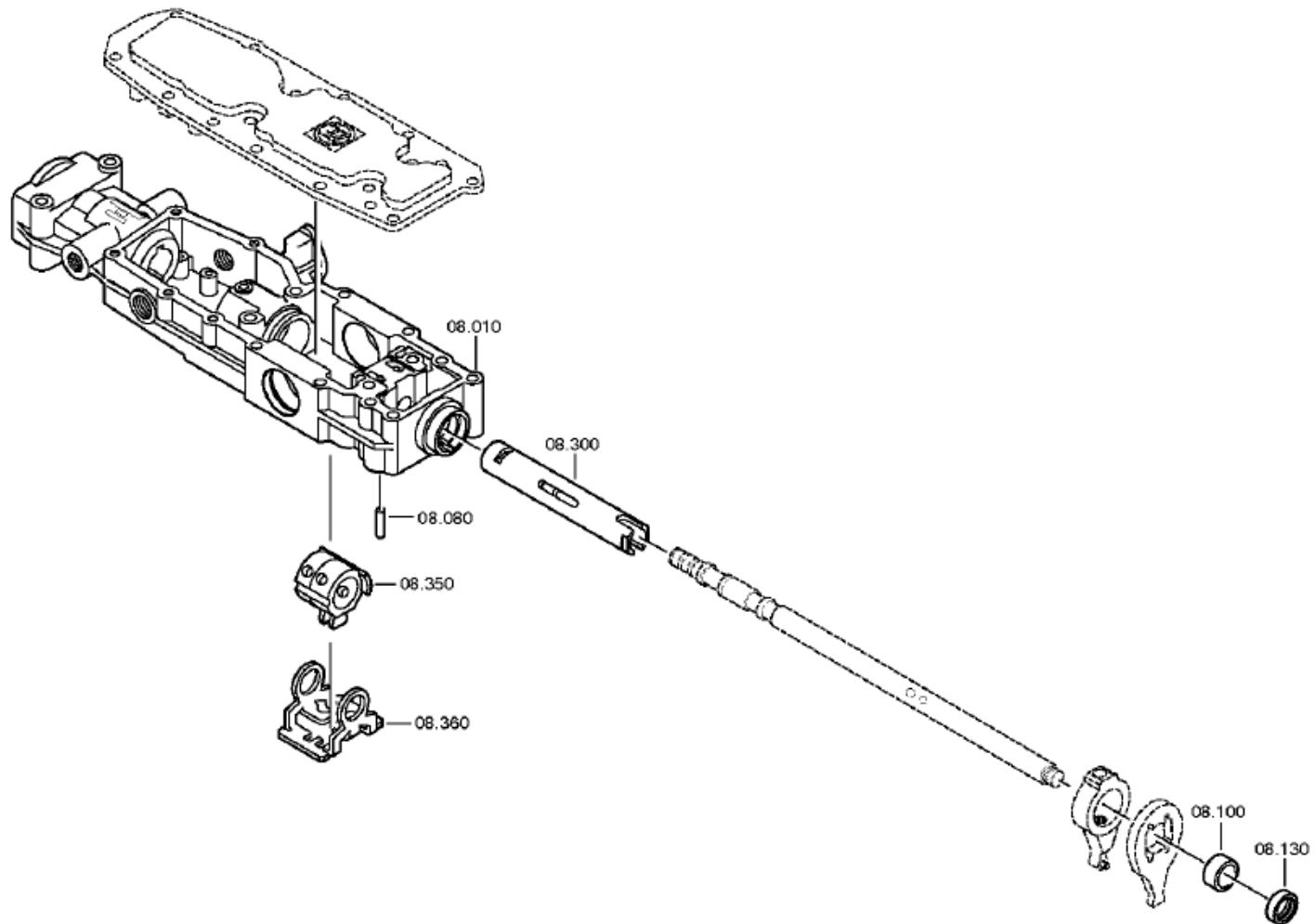
Page 1 from 5

Material number: 4130.065.212  
Plant: 068.07.81-1  
GEAR SHIFT SHAFT

16 S 251 WSK /  
GEAR SHIFT HOUSING





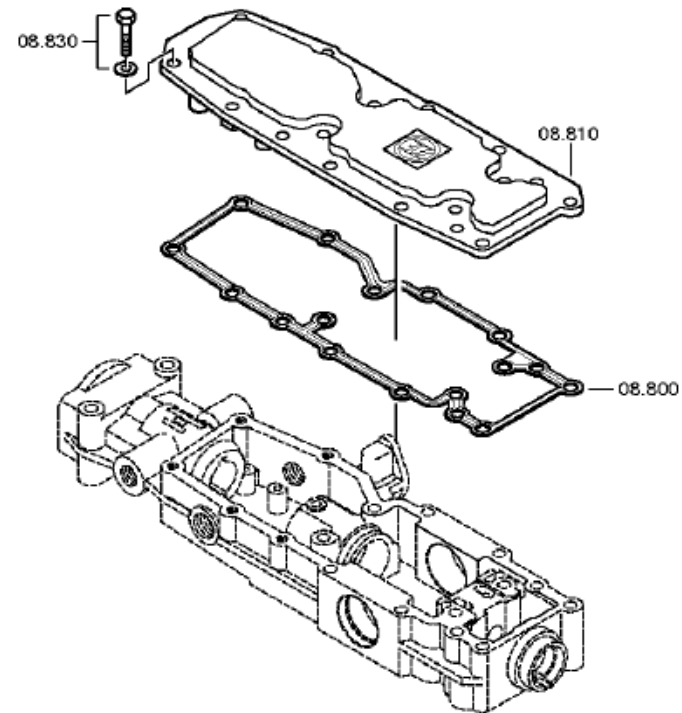


# Plant

Page 4 from 5

Material number: 4130.065.212  
Plant: 068.07.57-1  
GEAR SHIFT SHAFT

16 S 251 WSK /  
GEAR SHIFT HOUSING

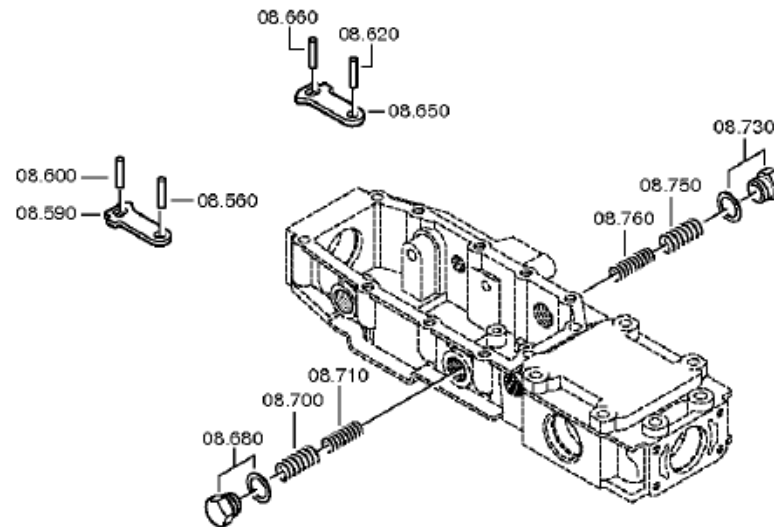


# Plant

Page 5 from 5

Material number: 4130.065.212  
Plant: 068.07.64-1  
GEAR SHIFT SHAFT

16 S 251 WSK /  
GEAR SHIFT HOUSING



# Parts list

Page 1 from 2

Material number: 4130.065.212

16 S 251 WSK /

Plant: 068.07.81-1

Material-assembly-group-no: 1316.108.821



Pos.	Material number	Customer material	Name	Quantity	ME	Amend. no.	Techn. Info.	Weight	Rep kit	Alternative material
10	1315.307.383		GEAR SHIFT HOUSING	1				0,000		
30	0501.209.212	5 5247 0	DETENT	1			KPL.	0,000		
40	0630.532.130		V-RING	1				0,000		
80	0631.306.123	190003901424	CYLINDRICAL PIN	1			8X24	10		
100	0730.260.703		BUSH	1			A=13,70	0,000		
130	0734.309.765		SHAFT SEAL	1		C01005906F10	28X42X11 FA.SKT	0,000		
300	1315.307.294		QUILL SHAFT	1			ENTHALT.IN 1315.307.293(1)	0,000		
320	0731.201.702		PIN	1				0,000		
350	1315.307.734	1882041	DRIVER	1		Z00011746810		0,000		
360	1315.307.218		LOCKING PIECE	1				0,000		
370	1316.208.003		PIN	2			KPL.	0,000		
380	0630.501.006	SA 8220-02230	RETAINING RING	2			10X1	0,410		
410	1316.208.002		VALVE LEVER	1			KPL.	0,000		
430	0731.201.732		PIN	1				0,000		
440	0635.303.019		NEEDLE BUSH	1			10X14X15	0,000		
450	0731.201.732		PIN	1				0,000		
470	1315.307.226	820-400-3340	ROLLER	1				0,000		
490	1315.307.292		LEVER	1				0,000		
560	0631.306.832		CYLINDRICAL PIN	1			6X20	0,000		
590	1315.307.203		DETENT LEVER	1				0,000		
600	0631.306.832		CYLINDRICAL PIN	1			6X20	0,000		
620	0631.306.832		CYLINDRICAL PIN	1			6X20	0,000		
650	1315.307.203		DETENT LEVER	1				0,000		
660	0631.306.832		CYLINDRICAL PIN	1			6X20	0,000		
680	---		SCREW	1		Z00010146310	M22X1,5	0,000		
---	1315.307.736		SCREW	1		Z00010146312	M22X1,5	0,000		
---	0730.009.515		SEALING RING	1		Z00010146312	A22X27	0,000		
700	0732.040.985	5 5874 0	COMPRSPRING	1				0,000		
710	0732.040.984	0732 040 984	COMPRSPRING	1				0,000		
730	---		SCREW	1		Z00010146310	M22X1,5	0,000		

# Parts list

Page 2 from 2

Material number: 4130.065.212

16 S 251 WSK /

Plant: 068.07.81-1

Material-assembly-group-no: 1316.108.821



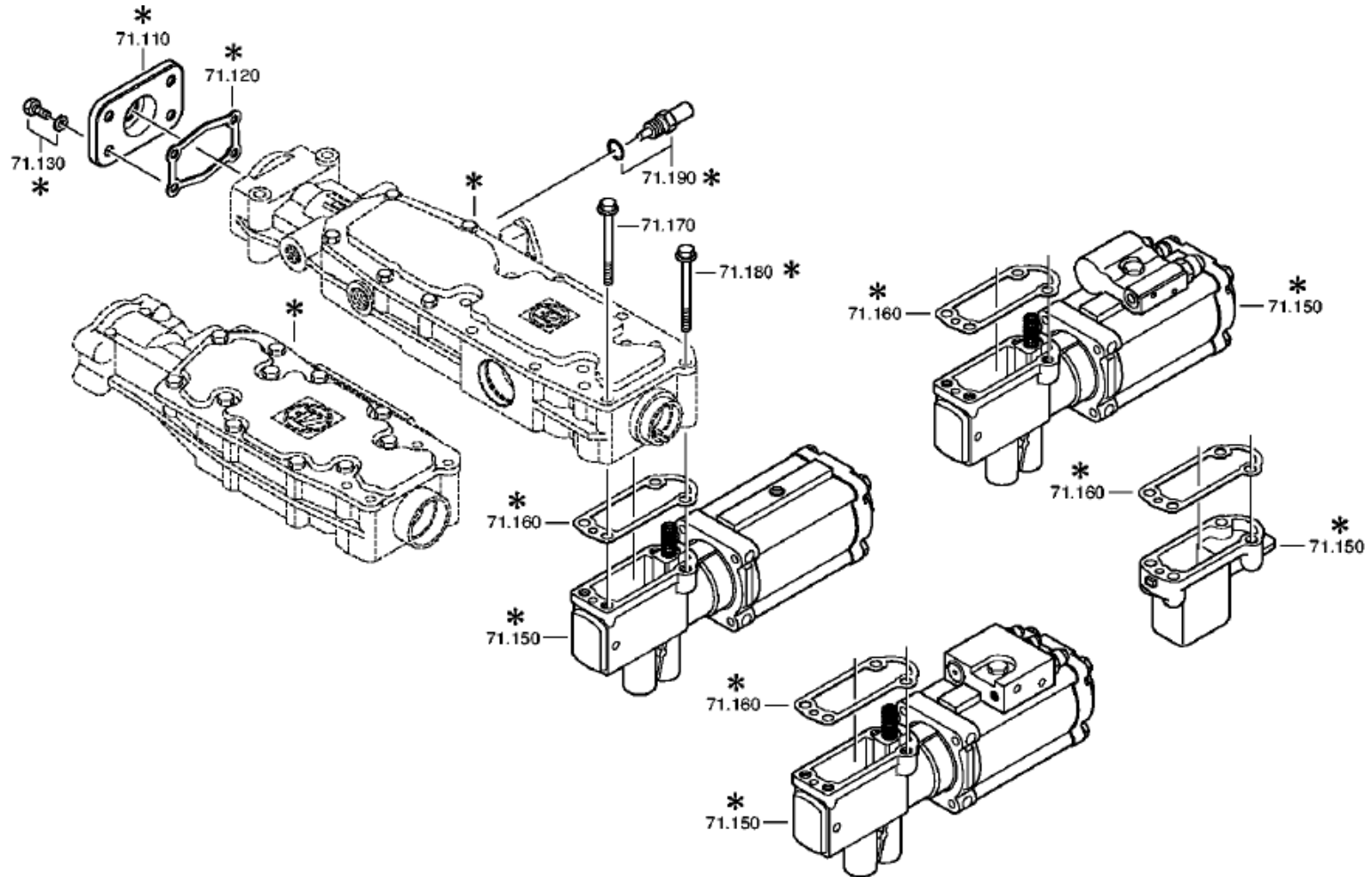
Pos.	Material number	Customer material	Name	Quantity	ME	Amend. no.	Techn. Info.	Weight	Rep kit	Alternative material
---	1315.307.736		SCREW	1		Z00010146312	M22X1,5	0,000		
---	0730.009.515		SEALING RING	1		Z00010146312	A22X27	0,000		
750	0732.040.985	5 5874 0	COMPRSPRING	1				0,000		
760	0732.040.984	0732 040 984	COMPRSPRING	1				0,000		
800	0501.324.072		GASKET	1		C01003353F10		0,000		
810	1315.307.286		COVER	1		C01000020A10		0,000		
830	---		HEXAGON BOLT	5			M8X25	0,000		
---	0636.016.401		HEXAGON BOLT	5			M8X25	0,000		
---	0630.100.295		WASHER	5		Z00007158414		0,000		
870	1315.307.013	133-138-1020	GASKET	1				0,000		
890	0736.300.137	1197869	HEXAGON BOLT	8		Z00009195410	M8X80 M8X80	0,000		
930	1341.307.104		PROTECTING CAP	1		C01007034F10		0,000		
940	1316.307.423		GEAR SHIFT LEVER	1		Z00010795310	U560	0,000		
950	---		BOLT+NUT	1		Z00012297710	M10X65	0,000		
---	0636.100.713		HEXAGON BOLT	1		Z00007890810	M10X65	0,000		
---	0637.100.419		HEXAGON NUT	1		Z00007892710	M10	0,000		

# Plant

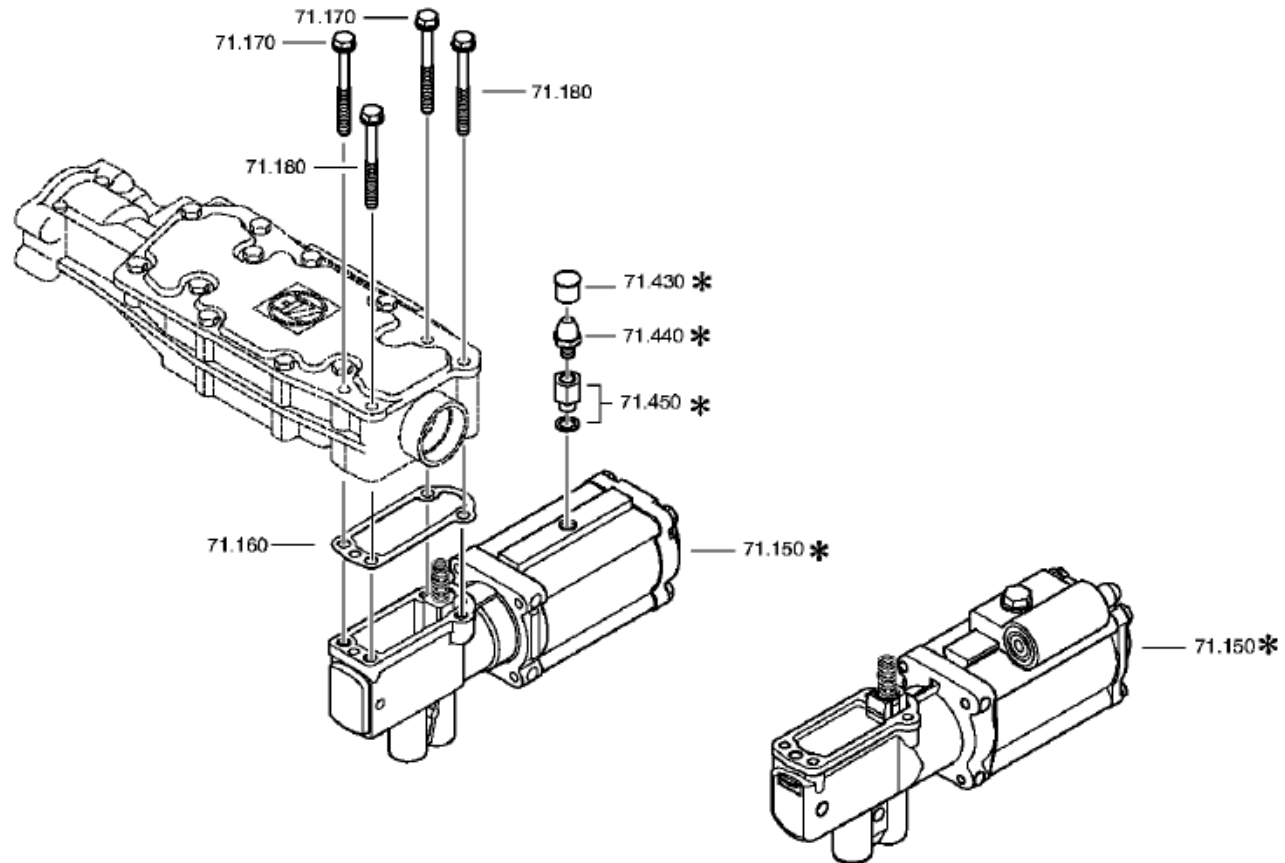
Page 1 from 3

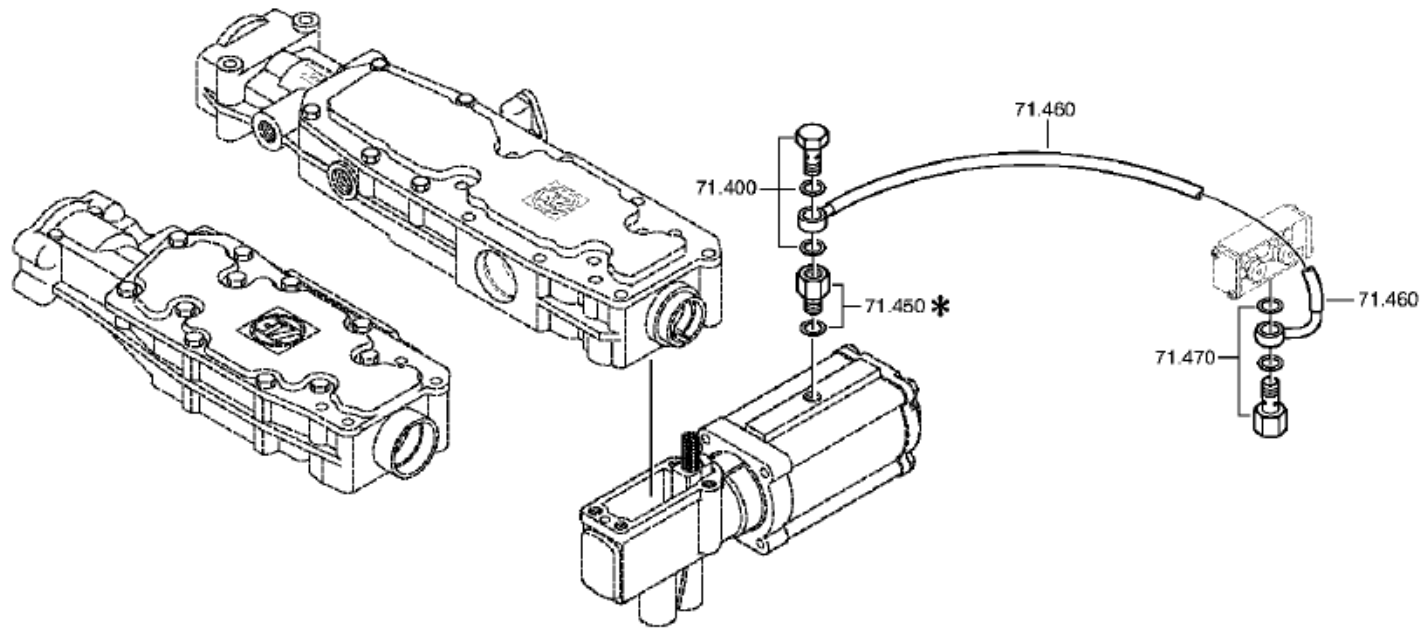
Material number: 4130.065.212  
Plant: 062.08.30-1  
END COVER

16 S 251 WSK /  
END COVER









# Parts list

Page 1 from 1

Material number: 4130.065.212

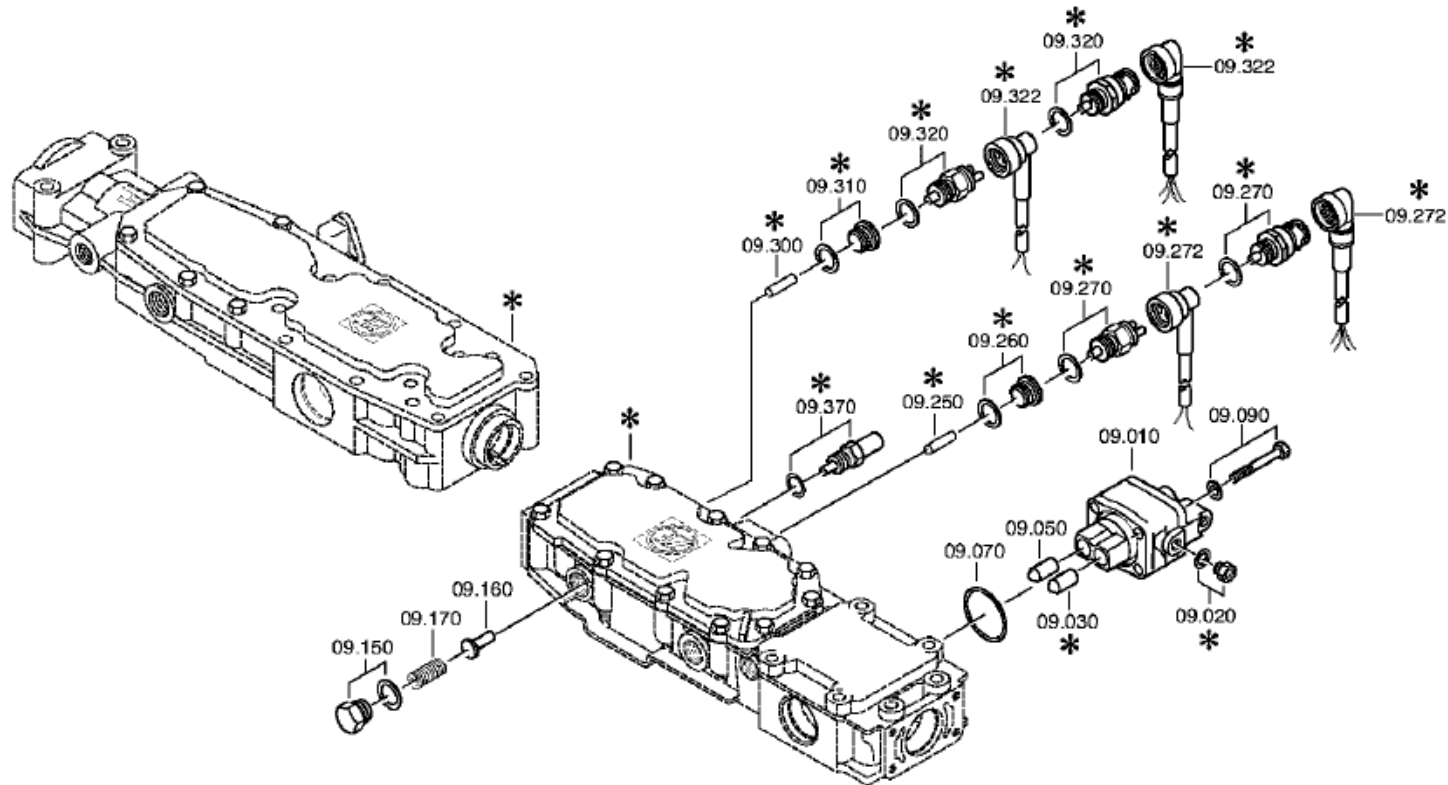
16 S 251 WSK /

Plant: 062.08.30-1

Material-assembly-group-no: 1316.171.403



Pos.	Material number	Customer material	Name	Quantity	ME	Amend. no.	Techn. Info.	Weight	Rep kit	Alternative material
110	1341.307.113		COVER	1		Z00009271410		0,000		
130	---		HEXAGON BOLT	4		Z00007891111	M8X20	0,000		
---	0636.100.796		HEXAGON BOLT	4		Z00007891120	M8X20	0,000		
---	0630.100.295		WASHER	4		Z00007158414		0,000		
150	0501.210.732		PNEUMSERVUNIT	1			KPL.	0,000		
160	1315.307.242		GASKET	1				0,000		
170	0736.300.137	1197869	HEXAGON BOLT	2		Z00009195410	M8X80 M8X80	0,000		
180	---		HEXAGON BOLT	2		Z00009195410	M8X80	0,000		
---	0736.300.137	1197869	HEXAGON BOLT	2		Z00009195414	M8X80 M8X80	0,000		
---	0666.790.033		SEALCOMPOUND	2		Z00009195414		0,310		
400	---		UNION SCREW	1		Z00010274712		0,000		
---	0637.835.808		UNION SCREW	1		Z00013005810		0,000		
---	0634.801.331		SEALING RING	1		Z00010274715	12X18	0,000		
460	1341.245.009		PIPE	1		Z00007301310	KPL.	0,000		
470	---		UNION SCREW	1		Z00010303010	M12X1,5	0,000		
---	0737.300.062		UNION SCREW	1		Z00010303012	M12X1,5	0,000		
---	0634.801.331		SEALING RING	1		Z00010303012	12X18	0,000		



# Parts list

Page 1 from 1

Material number: 4130.065.212

16 S 251 WSK /

Plant: 068.09.01-1

Material-assembly-group-no: 1316.109.025



Pos.	Material number	Customer material	Name	Quantity	ME	Amend. no.	Techn. Info.	Weight	Rep kit	Alternative material
10	6038.202.043	5 6065 0	CUT-OFF VALVE	1		C01002143C10	KPL.H-H* ZULUFTDROSSEL 1,55	0,000		
30	0501.209.188	5 6102 0	BALL ROLLER	1			KPL.	0,000		
50	0501.209.188	5 6102 0	BALL ROLLER	1			KPL.	0,000		
70	0634.313.505		O-RING	1			42X3	0,000		
90	---		HEXAGON BOLT	4		Z00007054112	M8X65	0,000		
---	0636.100.519		HEXAGON BOLT	4		Z00007054110	M8X65	0,000		
---	0630.100.295		WASHER	4		Z00007158414		0,000		
150	---		SCREW	1		Z00010146310	M22X1,5	0,000		
---	1315.307.736		SCREW	1		Z00010146312	M22X1,5	0,000		
---	0730.009.515		SEALING RING	1		Z00010146312	A22X27	0,000		
160	1315.307.384		BOLT	1		C01003958B10	ENTHALT.IN 1250 307 589(2)	0,000		
170	0732.041.500		COMPRSPRING	1				0,000		
250	0731.201.446		PIN	1			ENTHALT.IN 0731 201 445(2)	0,000		
270	---		SWITCH	1		Z00004287211	SCHL*M27*45N. M*DICHTRING* SCHUTZKAPPE	0,000		
---	0501.311.807	ZM 2282449	SWITCH	1		Z00004287210		61,100		
---	0634.801.062		SEALING RING	1		Z00004287210	18X24	0,001		
---	0700.300.427		PROTECTING CAP	1		Z00004287210		0,005		
300	0731.208.230		PIN	1			A=30,0	0,000		
320	---		SWITCH	1		Z00004287211	SCHL*45N.M* DICHTRING* BAJONETT* SCHUTZKAPPE	0,000		
---	0501.210.058	1864900531	SWITCH	1			KPL.	0,000		
---	0634.801.062		SEALING RING	1			18X24	0,001		
---	0700.300.427		PROTECTING CAP	1				0,005		

# Plant

Page 1 from 1

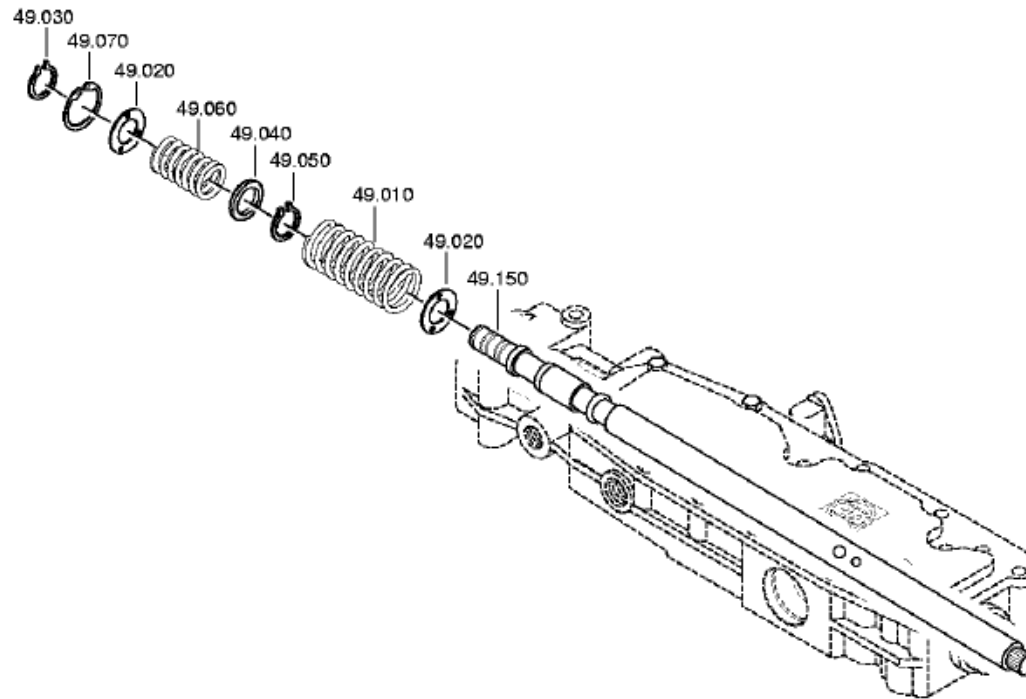
Material number: 4130.065.212

Plant: 068.12.16-1

Material-assembly-group-no: 1316.149.432

16 S 251 WSK /

SET OF SPRINGS



# Parts list

Page 1 from 1

Material number: 4130.065.212

16 S 251 WSK /

Plant: 068.12.16-1

Material-assembly-group-no: 1316.149.432



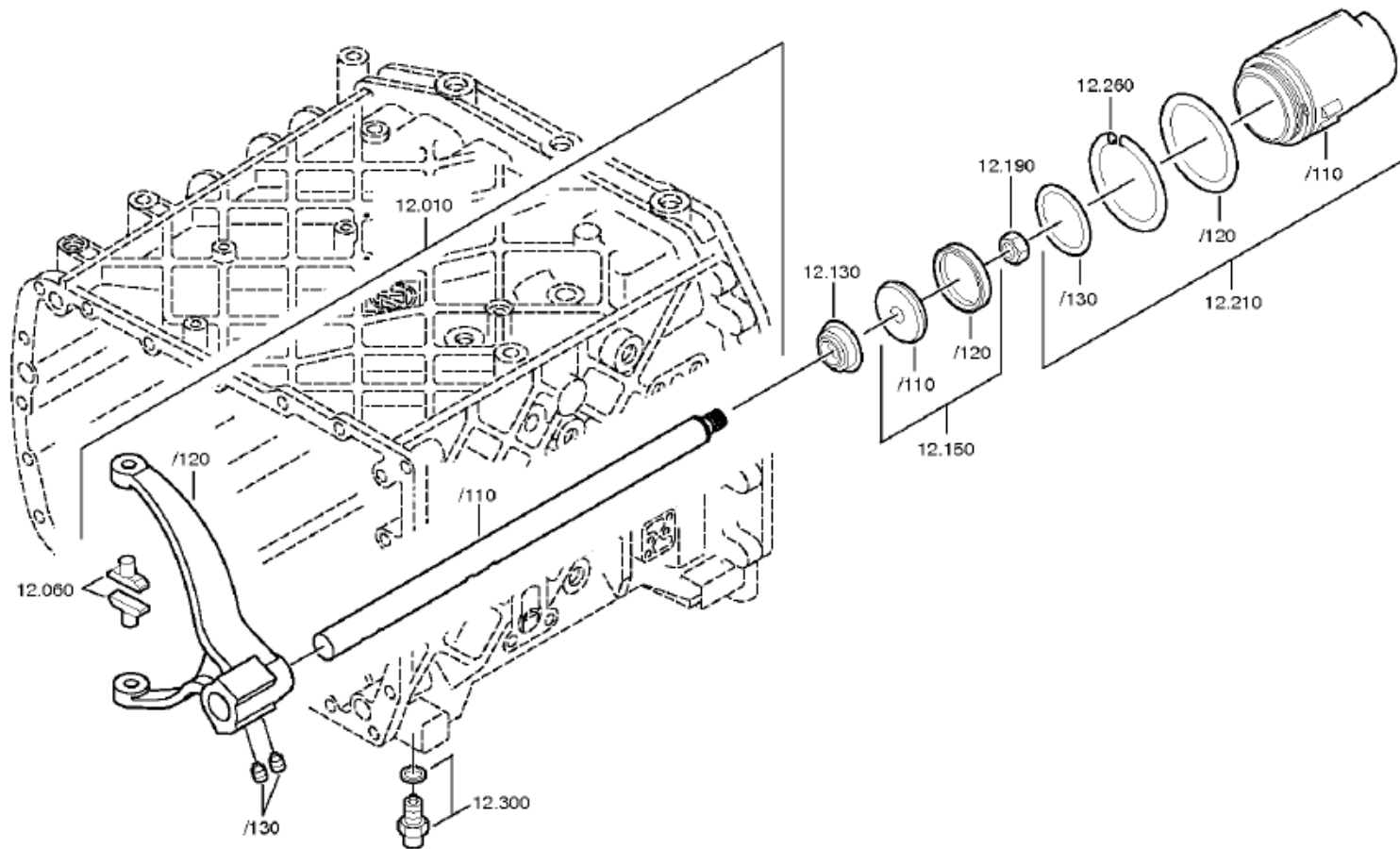
Pos.	Material number	Customer material	Name	Quantity	ME	Amend. no.	Techn. Info.	Weight	Rep kit	Alternative material
10	0732.040.630	0971350020	COMPRSPRING	1		C01004253D10		0,000		
20	0730.301.376	1884285	WASHER	2		Z00008917410		0,000		
30	0630.532.138	5004143	V-RING	1				0,000		
40	0730.301.374		WASHER	1		Z00008917310	A=2,00 A=2,00	0,000		
50	0630.532.138	5004143	V-RING	1				0,000		
60	0732.040.629		COMPRSPRING	1		C01004253D10		0,000		
70	0630.502.022		RETAINING RING	1			40X1,75	4,800		
150	1315.307.264		GEAR SHIFT SHAFT	1			LI	0,000		

# Plant

Page 1 from 2

Material number: 4130.065.212  
Plant: 068.40.04-1  
GV-SHIFT SYSTEM

16 S 251 WSK /  
GV-SHIFT SYSTEM



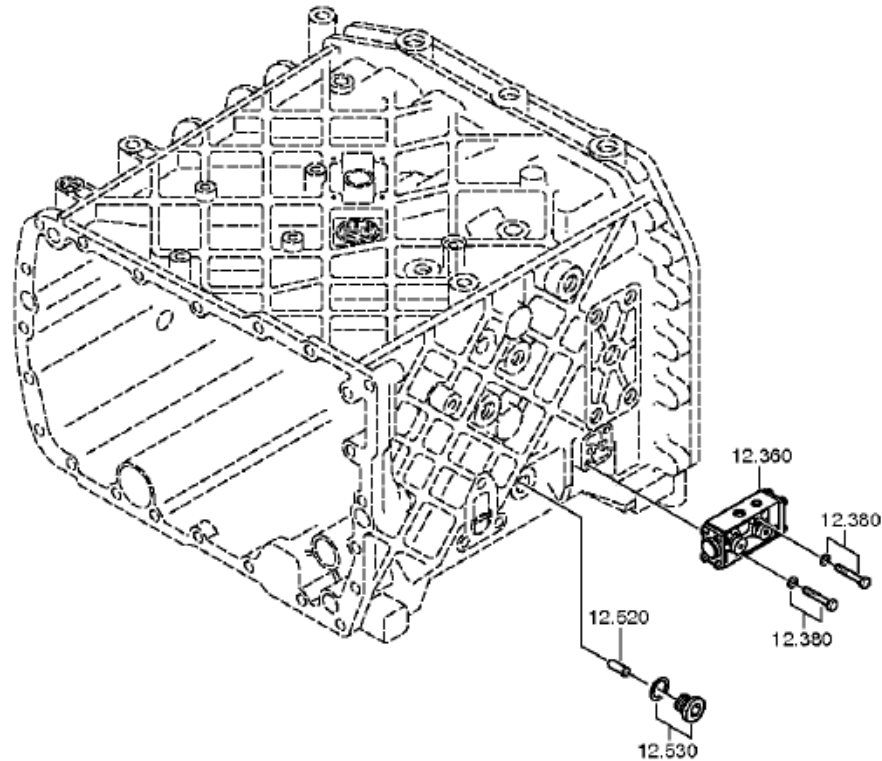


# Plant

Page 2 from 2

Material number: 4130.065.212  
Plant: 068.40.40-1  
GV-SHIFT SYSTEM

16 S 251 WSK /  
GV-SHIFT SYSTEM



# Parts list

Page 1 from 2

Material number: 4130.065.212

16 S 251 WSK /

Plant: 068.40.04-1

Material-assembly-group-no: 1316.112.012



Pos.	Material number	Customer material	Name	Quantity	ME	Amend. no.	Techn. Info.	Weight	Rep kit	Alternative material
10	1316.212.010		GEAR SHIFT RAIL	1			KPL.GV.LAG.GEH.1	0,000		
/110	1316.312.023		GEAR SHIFT RAIL	1				0,000		
/120	1315.312.074		GEAR SHIFT FORK	1			GV ECO 3	0,000		
/130	---		SET SCREW	2			M12X1	0,000		
---	1315.312.047	42172912	SET SCREW	2				0,000		
60	1316.306.015	5 5342 0	SLIDING PAD	2				0,000		
130	0750.112.131	820-400-2880	FLANGE PACKING	1		Z00003588010	25X40X15	0,000		
150	1315.212.008	1831971	PISTON	1			KPL.	0,000		
/110	---		PISTON	1			GV SINTER/STAHL	0,000		
---	1315.312.020		PISTON	1			GV	0,000		
---	1315.312.003		PISTON	1			GV	0,000		
/120	0750.112.177	172-255-1720	DOUBLE U-PACKING	1			55X63X9,4	0,000		
190	0737.300.037		LOCKING NUT	1		Z00008929010	MS16X1,5	0,000		
210	1316.212.007		CYLINDER	1			KPL.	0,000		
/110	1316.312.015		CYLINDER	1			ENTHALT.IN 1315 312 033(1)	0,000		
/120	0634.313.018		O-RING	1			82X3	0,000		
/130	0634.313.320	820-400-2910	O-RING	1			67X3	0,000		
260	1315.312.034		SPRING	1				0,000		
300	---		DETENT PLUNGER	1			235N*50N.M	0,000		
---	1324.207.033	1878700	DETENT PLUNGER	1			KPL. *235 N	0,000		
---	0730.008.604		SEALING RING	1		C01009860C10		0,000		
360	0501.215.359		5/2 WAY VALVE	1		C01004003F10	KPL.SG	0,000		
/20	0634.314.020	5 8267 0	O-RING	1			8X2	0,000		
/22	0634.314.020	5 8267 0	O-RING	1			8X2	0,000		
380	---		HEXAGON BOLT	2			M6X40	0,000		
---	0636.010.740		HEXAGON BOLT	2			M6X40	0,000		
---	0630.001.139		WASHER	2		Z00007164311		0,000		
520	1295.212.006		PIN	1			KPL.	0,000		
530	---		SCREW PLUG	1		Z00010111513	35N.M*DICHTRING M18X1,5	0,000		

# Parts list

Page 2 from 2

Material number: 4130.065.212

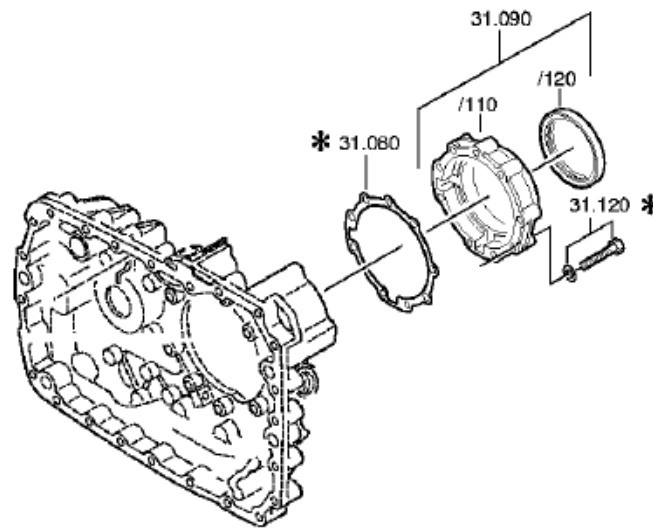
16 S 251 WSK /

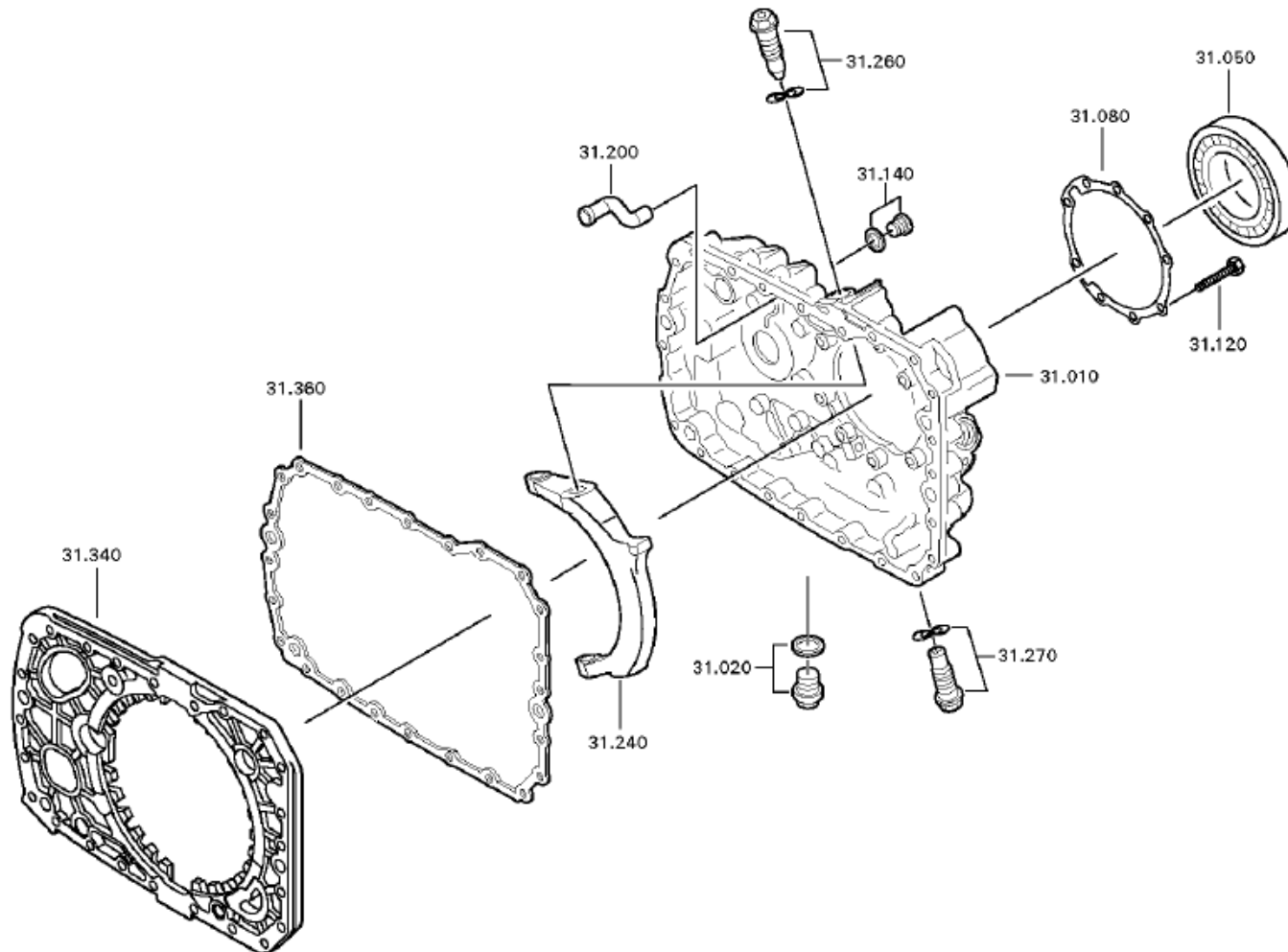
Plant: 068.40.04-1

Material-assembly-group-no: 1316.112.012



Pos.	Material number	Customer material	Name	Quantity	ME	Amend. no.	Techn. Info.	Weight	Rep kit	Alternative material
---	0636.100.791		SCREW PLUG	1		Z00010111521	M18X1,5	0,000		
---	0634.801.062		SEALING RING	1		Z00010111521	18X24	0,001		



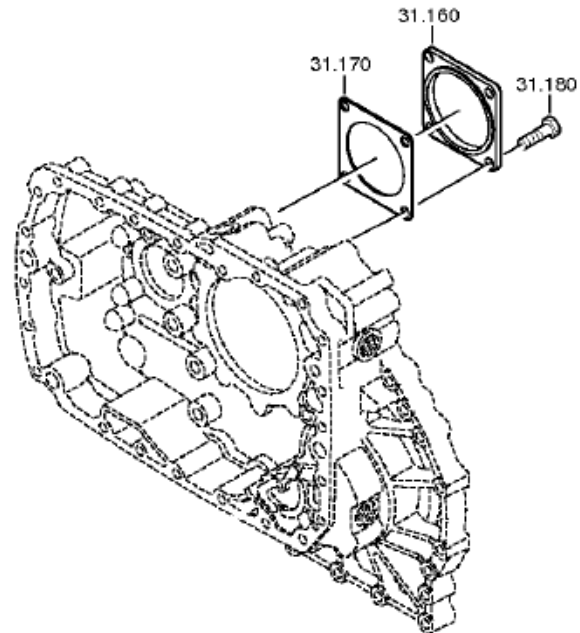


# Plant

Page 3 from 4

Material number: 4130.065.212  
Plant: 068.43.40-1  
GP HOUSING

16 S 251 WSK /  
COVER

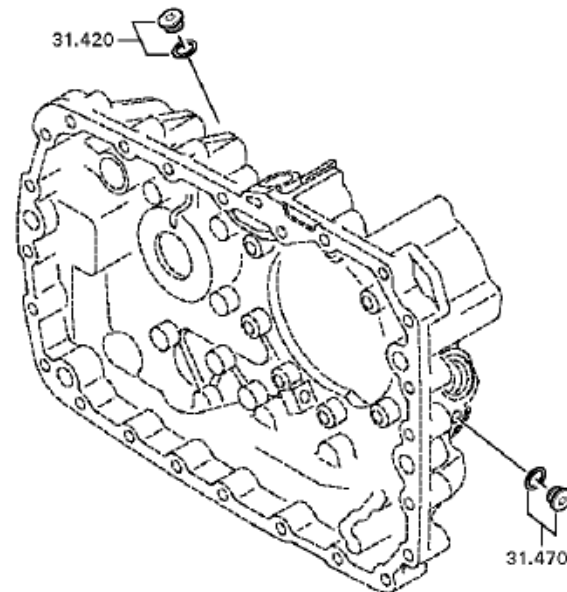


# Plant

Page 4 from 4

Material number: 4130.065.212  
Plant: 068.43.45-1  
GP HOUSING

16 S 251 WSK /  
COVER



# Parts list

Page 1 from 2

Material number: 4130.065.212

16 S 251 WSK /

Plant: 068.43.21-1

Material-assembly-group-no: 1315.131.047



Pos.	Material number	Customer material	Name	Quantity	ME	Amend. no.	Techn. Info.	Weight	Rep kit	Alternative material
10	1315.301.224		HOUSING	1			ENTHALT.IN 1315 301 222(0)	0,000		
20	---		SCREW PLUG	1		Z00010112111	60N.M*DICHTRING M24X1,5	0,000		
---	0636.304.088		SCREW PLUG	1		Z00010112110	M24X1,5	0,000		
---	0730.008.637		SEALING RING	1		Z00010112110	A24X29	0,000		
50	0750.116.394	5 8092 0	BALL BEARING	1		C01007214E10		0,000		
80	1315.331.001		GASKET	1		C01005350C10		0,000		
90	1315.231.004		COVER	1			KPL.	0,000		
/120	0750.111.341	8204002990	SHAFT SEAL	1			105X130X12	0,000		
120	0636.016.405		HEXAGON BOLT	9		Z00007060111	M10X60	0,000		
140	---		SCREW PLUG	1		C01004359F10	15N.M*DICHTRING M10X1	0,000		
---	0636.100.793		SCREW PLUG	1		Z00010111613	M10X1	0,000		
---	0730.008.055		SEALING RING	1			A10X14	0,000		
160	1328.301.170	1878388	COVER	1		Z00008068010		0,000		
170	1238.308.201	5006880	GASKET	1			ENTHALT.IN 1238 308 202(2)	0,000		
180	0636.016.406		HEXAGON BOLT	4		Z00007061014	M12X25	0,000		
200	1316.301.052		SPRAY TUBE	1				0,000		
240	1315.334.039		GEAR SHIFT FORK	1				0,000		
260	---		ARTICULATION BOLT	1		Z00004075611	O.SCHEIBE M24X1,5 SK6	0,000		
---	1315.334.074	1877888	ARTICULATION BOLT	1		Z00004075610		0,000		
270	---		ARTICULATION BOLT	1		Z00004075611	O.SCHEIBE M24X1,5 SK6	0,000		
---	1315.334.074	1877888	ARTICULATION BOLT	1		Z00004075610		0,000		
300	0731.201.602		CYLINDRICAL PIN	3				0,000		
320	1316.301.042	133-158-1320	GASKET	1				0,000		
340	1316.301.051		INTERMPLATE	1				0,000		
360	1316.301.042	133-158-1320	GASKET	1				0,000		



# Parts list

Page 2 from 2

Material number: 4130.065.212

16 S 251 WSK /

Plant: 068.43.21-1

Material-assembly-group-no: 1315.131.047



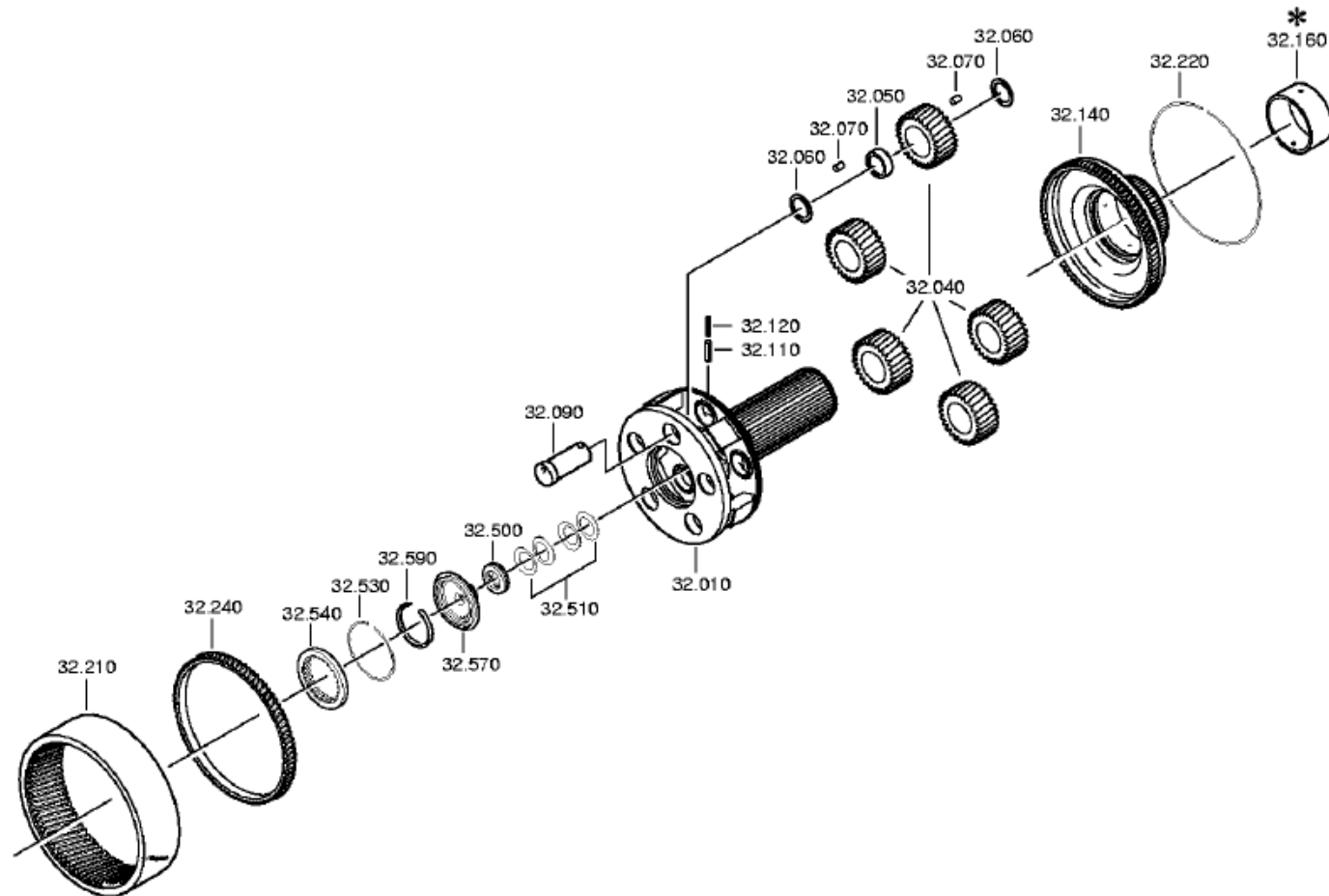
Pos.	Material number	Customer material	Name	Quantity	ME	Amend. no.	Techn. Info.	Weight	Rep kit	Alternative material
420	---		SCREW PLUG	1		Z00010111513	35N.M*DICHTRING M18X1,5	0,000		
---	0636.100.791		SCREW PLUG	1		Z00010111521	M18X1,5	0,000		
---	0634.801.062		SEALING RING	1		Z00010111521	18X24	0,001		
470	---		SCREW PLUG	1		Z00010111513	35N.M*DICHTRING M18X1,5	0,000		
---	0636.100.791		SCREW PLUG	1		Z00010111521	M18X1,5	0,000		
---	0634.801.062		SEALING RING	1		Z00010111521	18X24	0,001		
500	0736.300.132		HEXAGON BOLT	11		Z00009404110	M10X85 M10X85	0,000		
510	0736.300.132		HEXAGON BOLT	1		Z00009404110	M10X85 M10X85	0,000		
520	0736.300.132		HEXAGON BOLT	1		Z00009404110	M10X85 M10X85	0,000		
530	0736.300.132		HEXAGON BOLT	1		Z00009404110	M10X85 M10X85	0,000		
540	0736.300.133		HEXAGON BOLT	2		Z00009404210	M10X125 M10X125	0,000		
550	0736.300.125		HEXAGON BOLT	1		Z00009403310	M10X65 M10X65	0,000		
560	0736.300.132		HEXAGON BOLT	2		Z00009404110	M10X85 M10X85	0,000		
570	0736.300.132		HEXAGON BOLT	1		Z00009404110	M10X85 M10X85	0,000		
580	0736.300.132		HEXAGON BOLT	1		Z00009404110	M10X85 M10X85	0,000		
590	0736.300.125		HEXAGON BOLT	1		Z00009403310	M10X65 M10X65	0,000		
600	0736.300.132		HEXAGON BOLT	1		Z00009404110	M10X85 M10X85	0,000		
610	0736.300.132		HEXAGON BOLT	1		Z00009404110	M10X85 M10X85	0,000		

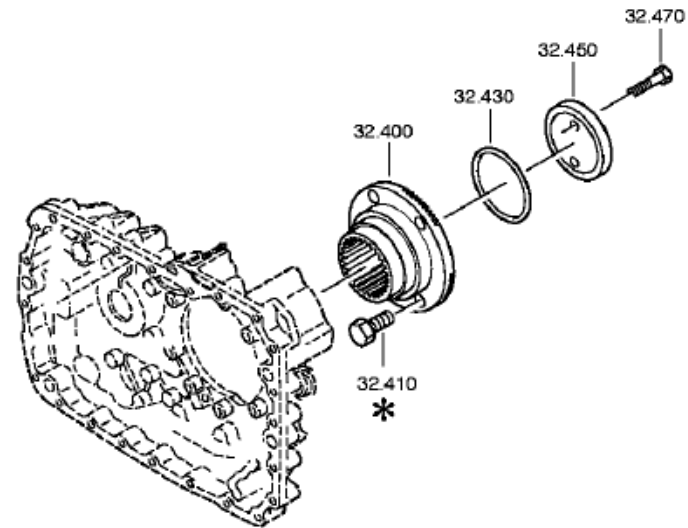
# Plant

Page 1 from 2

Material number: 4130.065.212  
Plant: 068.44.08-1  
PLANETARY DRIVE

16 S 251 WSK /  
PLANETARY DRIVE





# Parts list

Page 1 from 1

Material number: 4130.065.212

16 S 251 WSK /

Plant: 068.44.08-1

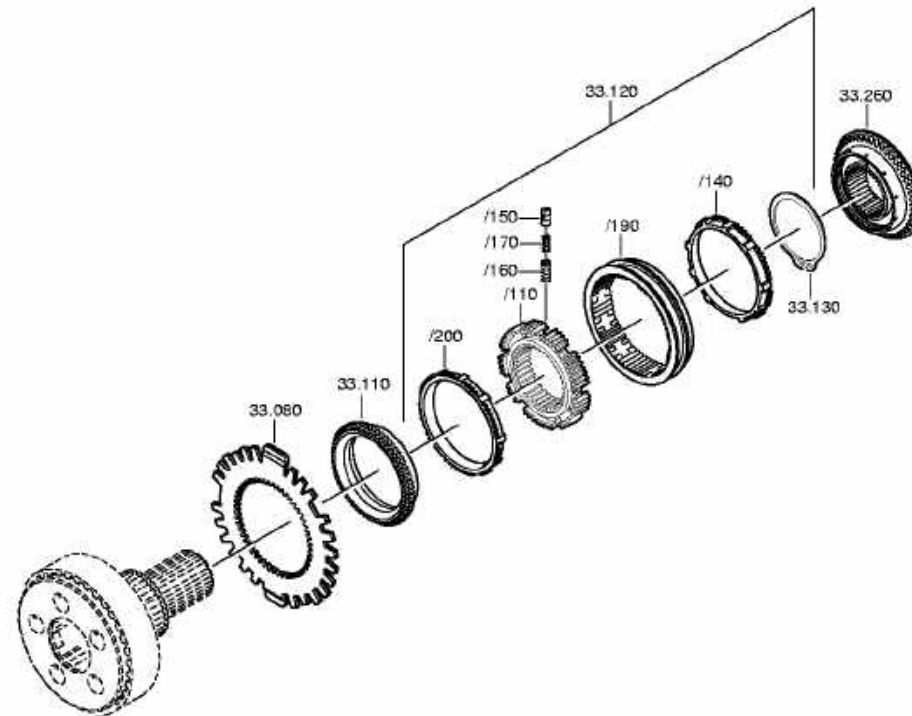
Material-assembly-group-no: 1316.132.011

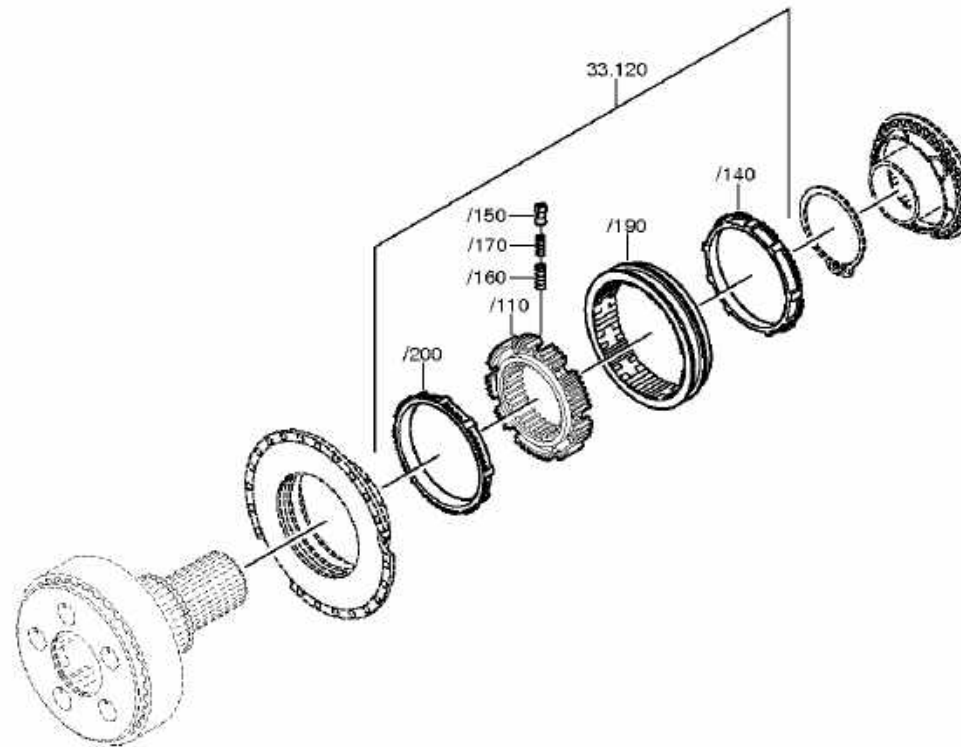


Pos.	Material number	Customer material	Name	Quantity	ME	Amend. no.	Techn. Info.	Weight	Rep kit	Alternative material
10	1316.232.021		PLANET CARRIER	1			KPL.	0,000		
40	1316.232.017		PLANET GEAR SET	1			KPL.	0,000		
50	0730.162.801		BUSH	5			A=14,90 IN 0730 162 799(3)	0,000		
60	0730.109.323	820-400-3050	INTERMWASHER	10				0,013		
70	0750.119.116	820-400-3060	ROLLER	140			10,0X16,8	0,010		
90	1316.332.097		PLANET SHAFT	5		C01007226B10	ENTHALT.IN 1316 332 037(2)	0,000		
110	0631.329.051		SLOTPIN	5			5X26	0,002		
120	0631.329.167		SLOTPIN	5			3X26	1		
140	1316.332.073		RING GEAR CARRIER	1				0,000		
160	1316.333.014		INTERMRING	1				0,000		
210	1316.332.042		RING GEAR	1				0,000		
220	0730.513.639		LOCKING WIRE	1			ENTHALT.IN 0730 513 681(2)	0,000		
240	1316.332.044		THRUST RING	1				0,000		
400	1297.333.110	03	OUTPUT FLANGE	1			ENTHALT.IN 1314 332 007(0)	0,000		
410	---		HEXAGON BOLT	4			SCHUTZKAPPE M14X1,5X50	0,000		
---	0636.100.202		HEXAGON BOLT	4			M14X1,5X50	0,000		
---	1315.332.067		PROTECTING CAP	4				0,000		
430	0634.313.805		O-RING	1		C01007959910	82X4	0,000		
450	1312.332.028		WASHER	1				0,000		
470	0636.011.777		HEXAGON BOLT	2		Z00007292012	M12X60	0,000		
500	0635.360.007		AXIAL BALL BEARING	1			30X47X11	0,000		
510	0770.067.039		CUP SPRING	4			31 X 45,8 X 1,75X1,2	0,000		
530	0630.513.001		SNAP RING	1				0,000		
540	1316.332.068		PRESSURE DISC	1				0,000		
570	1316.332.069		COVER	1				0,000		
590	0730.513.680		SNAP RING	1			A=7,00	0,000		



Bildtafel:  
Figure: 068.45.05  
Figure:  
Figura:





# Parts list

Page 1 from 1

Material number: 4130.065.212

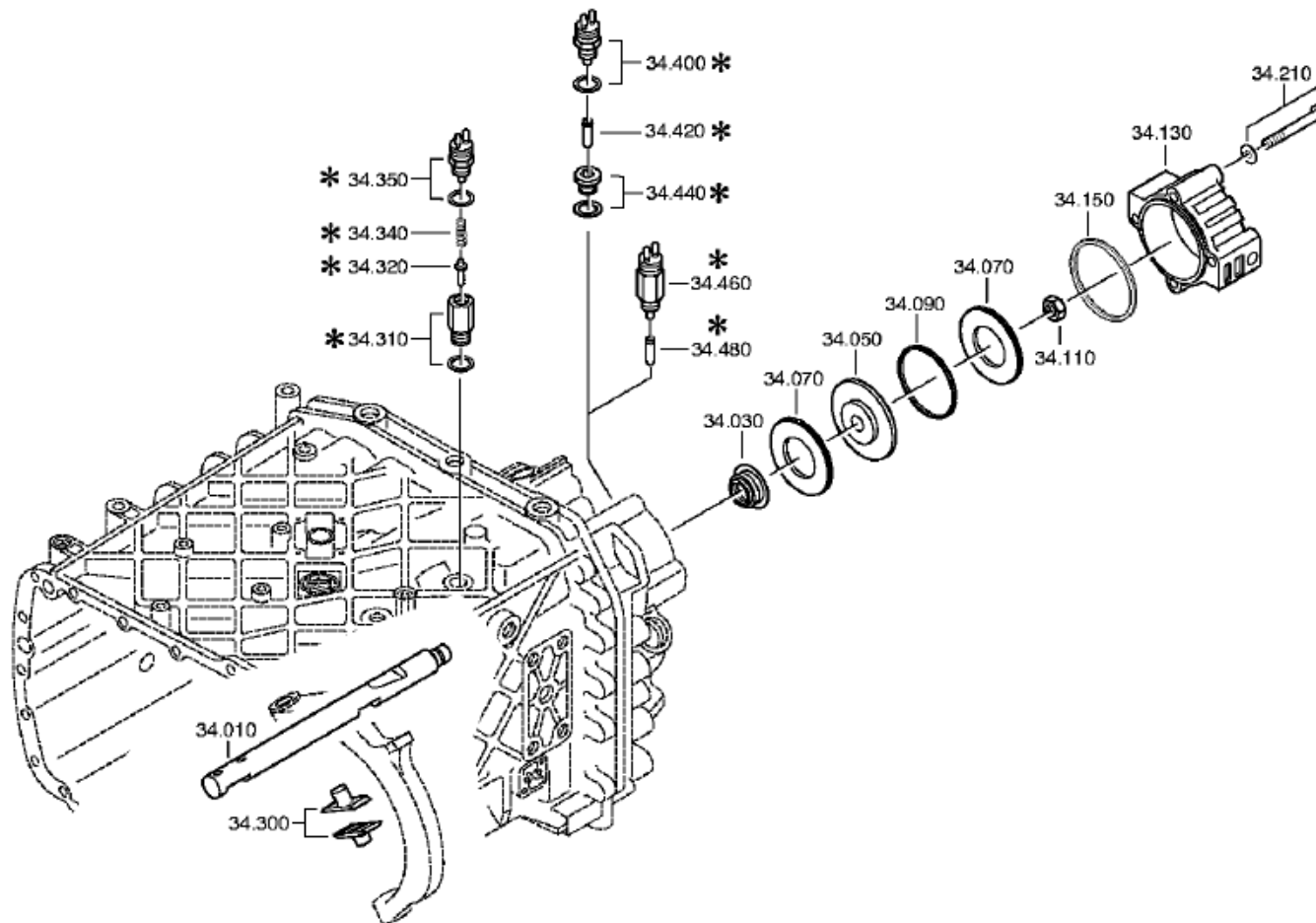
16 S 251 WSK /

Plant: 068.45.05-1

Material-assembly-group-no: 1316.133.009



Pos.	Material number	Customer material	Name	Quantity	ME	Amend. no.	Techn. Info.	Weight	Rep kit	Alternative material
80	1316.333.026		CLUTCH DISC	1		C01005444B10	MOLYB*FL-PROFIL 90*E/Z6-V *GP- SV*16S251	0,000		
110	1296.333.050	5 5302 0	CLUTCH BODY	1		C01005444B10	ENTHALT.IN 1296.333. 053(1)	0,000		
120	1316.233.022		SYNCHRONIZER	1			KPL.PROFIL 80GV-GP 90SV-GP	0,000		
/110	1313.333.001		SYNCHROBODY	1			ENTHALT.IN 1296 333 014(1)	0,000		
/140	1296.333.045	5 5301 0	SYNCHRORING	1				0,000		
/150	1240.304.278	1334510410	PRESSURE PIECE	9				0,000		
/160	0732.040.385	0971040080	COMPRSPRING	9				0,000		
/170	0732.040.386	097102000	COMPRSPRING	9				0,000		
/190	1316.333.034		SLIDING SLEEVE	1		C01007317F10	ZF-B 165/74 GP	0,000		
/200	1296.333.045	5 5301 0	SYNCHRORING	1				0,000		
130	0630.501.175	0692274	RETAINING RING	1		Z00006943010	125X3,7	0,000		
260	1316.233.015	5 5339 0	CLUTCH BODY	1		C01000310A10	KPL.GP-SV*SCHNELLE GRUPPE	0,000		



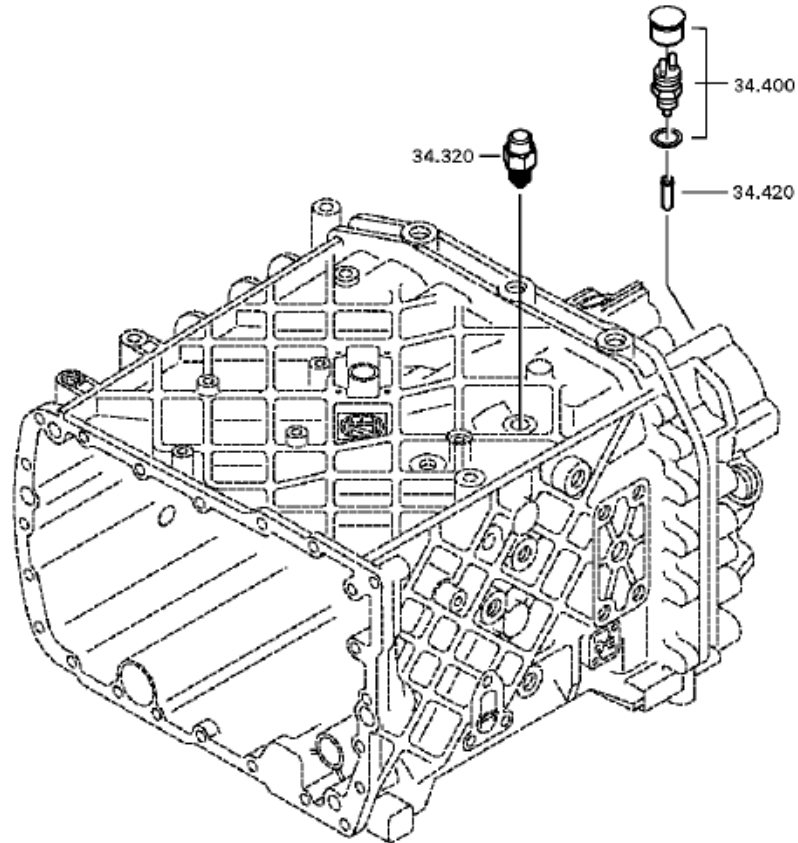


# Plant

Page 2 from 2

Material number: 4130.065.212  
Plant: 068.46.40-1  
GP SHIFT SYSTEM

16 S 251 WSK /  
GP SHIFT SYSTEM



# Parts list

Page 1 from 1

Material number: 4130.065.212

16 S 251 WSK /

Plant: 068.46.02-1

Material-assembly-group-no: 1316.134.023



Pos.	Material number	Customer material	Name	Quantity	ME	Amend. no.	Techn. Info.	Weight	Rep kit	Alternative material
10	1316.334.017		GEAR SHIFT RAIL	1				0,000		
30	0750.112.253	5 8342 0	FLANGE PACKING	1			25X40X15	0,000		
50	---		PISTON	1			GP	0,000		
---	1315.334.034		PISTON	1			ENTHALT.IN 1315 334 040(2)	0,000		
---	1315.334.063		PISTON	1				0,000		
70	0734.307.294	5 8400 0	SEALING RING	2			49X91X7,4 FA.KACO	0,000		
90	0750.112.066	5 5131 0	GUIDE RING	1				0,000		
110	0737.300.037		LOCKING NUT	1		Z00008929010	MS16X1,5	0,000		
130	1315.334.069	5 5836 0	CYLINDER	1				0,000		
150	0501.317.536	5 6096 0	PROFILE SEALING RING	1				0,000		
210	---		HEXAGON BOLT	4		Z00007349210	M10X90	0,000		
---	0636.015.688		HEXAGON BOLT	4		Z00007349212	M10X90	0,000		
---	0630.100.294		WASHER	4		Z00007158111		0,000		
300	1296.334.004	0692175	SLIDING PAD	2				0,000		
320	---		DETENT PLUNGER	1			145N*50N.M	0,000		
---	1324.207.035		DETENT PLUNGER	1			KPL. *145 N	0,000		
---	0730.008.604		SEALING RING	1				0,000		
400	---		SWITCH	1		Z00004287211	SCHL*45N.M* DICHTRING* BAJONETT* SCHUTZKAPPE	0,000		
---	0501.210.058	1864900531	SWITCH	1			KPL.	0,000		
---	0634.801.062		SEALING RING	1			18X24	0,001		
---	0700.300.427		PROTECTING CAP	1				0,005		
420	1295.212.006		PIN	1			KPL.	0,000		

# Plant

Page 1 from 1

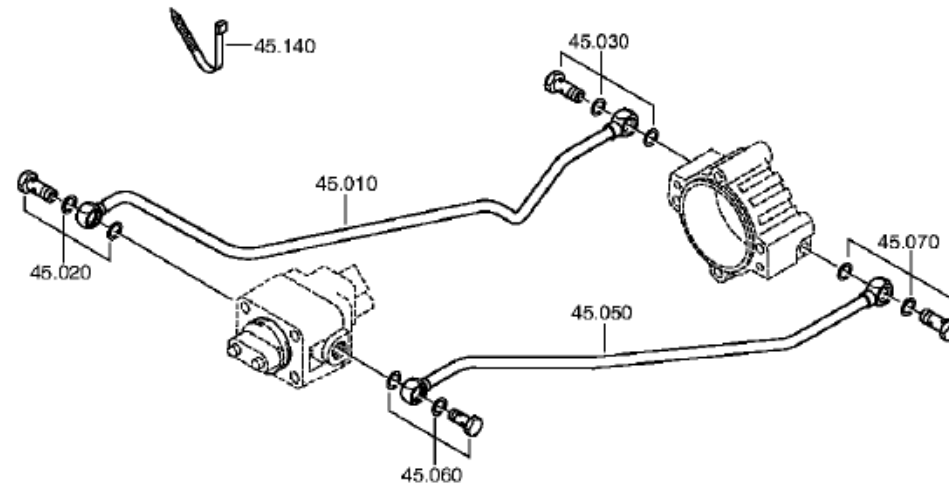
Material number: 4130.065.212

Plant: 068.57.04-1

Material-assembly-group-no: 1316.145.003

16 S 251 WSK /

RANGE SELECTION



# Parts list

Page 1 from 1

Material number: 4130.065.212

16 S 251 WSK /

Plant: 068.57.04-1

Material-assembly-group-no: 1316.145.003



Pos.	Material number	Customer material	Name	Quantity	ME	Amend. no.	Techn. Info.	Weight	Rep kit	Alternative material
10	1316.245.014		PIPE	1		C01003832B10	KPL.GP RE*L=602MM* 12X2,0	0,000		
20	---		UNION SCREW	1		Z00010274511	M14X1,5	0,000		
---	0737.300.061		UNION SCREW	1		Z00012473710	M14X1,5	0,000		
---	0634.801.217		SEALING RING	1		Z00010274513	14X20	0,000		
30	---		UNION SCREW	1		Z00010274511	M14X1,5	0,000		
---	0737.300.061		UNION SCREW	1		Z00012473710	M14X1,5	0,000		
---	0634.801.217		SEALING RING	1		Z00010274513	14X20	0,000		
50	1316.245.015		PIPE	1		C01003832B10	KPL.GP LI*L=619MM* 12X2,0	0,000		
60	---		UNION SCREW	1		Z00010274511	M14X1,5	0,000		
---	0737.300.061		UNION SCREW	1		Z00012473710	M14X1,5	0,000		
---	0634.801.217		SEALING RING	1		Z00010274513	14X20	0,000		
70	---		UNION SCREW	1		Z00010274511	M14X1,5	0,000		
---	0737.300.061		UNION SCREW	1		Z00012473710	M14X1,5	0,000		
---	0634.801.217		SEALING RING	1		Z00010274513	14X20	0,000		
140	0659.160.081		CABLE CLIP	1		C01006654E10	4,7X210	0,000		

# Plant

Page 1 from 1

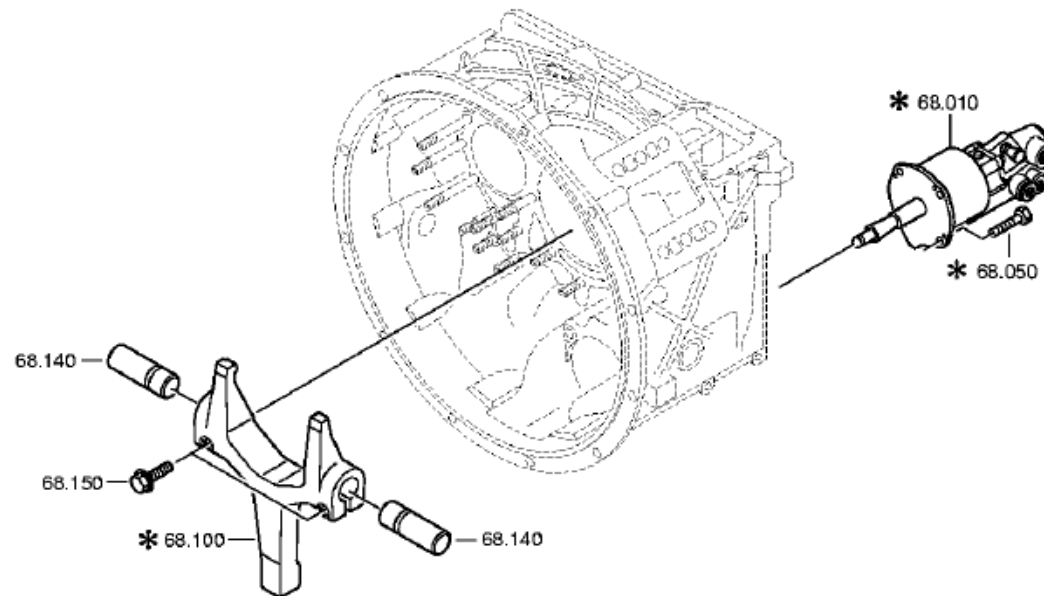
Material number: 4130.065.212

Plant: 068.93.05-1

Material-assembly-group-no: 1315.168.015

16 S 251 WSK /

CLUTCH RELEASE DEVICE



# Parts list

Page 1 from 1

Material number: 4130.065.212

16 S 251 WSK /

Plant: 068.93.05-1

Material-assembly-group-no: 1315.168.015



Pos.	Material number	Customer material	Name	Quantity	ME	Amend. no.	Techn. Info.	Weight	Rep kit	Alternative material
100	1315.268.030		RELEASE FORK	1		Z00005397610	KPL.AUSR-WELLE* SW=128*WSK	0,000		
/120	0501.315.159		BALL CUP	1			KS12-18-12	0,000		
140	---		SHAFT	2		Z00004667010		0,000		
---	1315.368.060	1887072	SHAFT	2				0,000		
---	0671.190.050		GREASE	2				0,000		
150	---		LOCKING SCREW	2			DURLOK M10X45	0,000		
---	0736.031.059	530537A080980 REPL. FOR 0636031070	LOCKING SCREW	2		C01009473D10	M10X45	0,000		

# Parts list

Page 1 from 1

Material number: 4130.065.212

16 S 251 WSK /

Material-assembly-group-no: 4130.007.017



Pos.	Material number	Customer material	Name	Quantity	ME	Amend. no.	Techn. Info.	Weight	Rep kit	Alternative material
120	4130.101.092		CONVERTER HOUSING	1			WSK440*ECO III	0,000		
150	4130.103.035		TURBINE SHAFT	1			WSK400/440* RETARDER	0,000		
160	4130.104.023		PUMP	1			WSK-400	0,000		
170	4130.105.083		RETARDHOUSING	1			WSK440* ECO-3 *GEH.II STANDARD	0,000		
180	4130.105.084		RETARDER	1			WSK440 *ECO-3 *GEH.I STANDARD	0,000		
188	4130.105.801		RETARDER	1			WSK-400*ECO-3* 16S221/251	0,000		
190	4130.106.128		SEPARATING CLUTCH	1			WSK440*ECO-3*LL* RET	0,000		
208	4130.106.818		CLUTCH CYLINDER	1			WSK-400*ECO-3*LL* RET*WATF.*ENTL. SCHLAUCH L=4,00M	0,000		
220	4130.108.042		CONTROL UNIT	1			WSK440*24V*2P *4,0/4, 5/11,5BAR	0,000		
228	4130.108.800		CONTROL UNIT	1			WSK400	0,000		
230	4130.109.059		ELEQUIPMENT	1			WSK400*ECO-3	0,000		
238	4130.109.800		ELEQUIPMENT	1			WSK400*ECO-3 * ZVK*19POL*KUPPL. DRUCKSCH*O.GE	0,000		
260	4130.134.043		CONVERTER	1			W440*TPC=1005*MUE= 1.59*A=81.6*LK=380* 4166 705 785	0,000		
350	4130.131.002		VENTILATION	1			F. OELRAUM WANDLERGEHAEUSE	0,000		

# Plant

Page 1 from 1

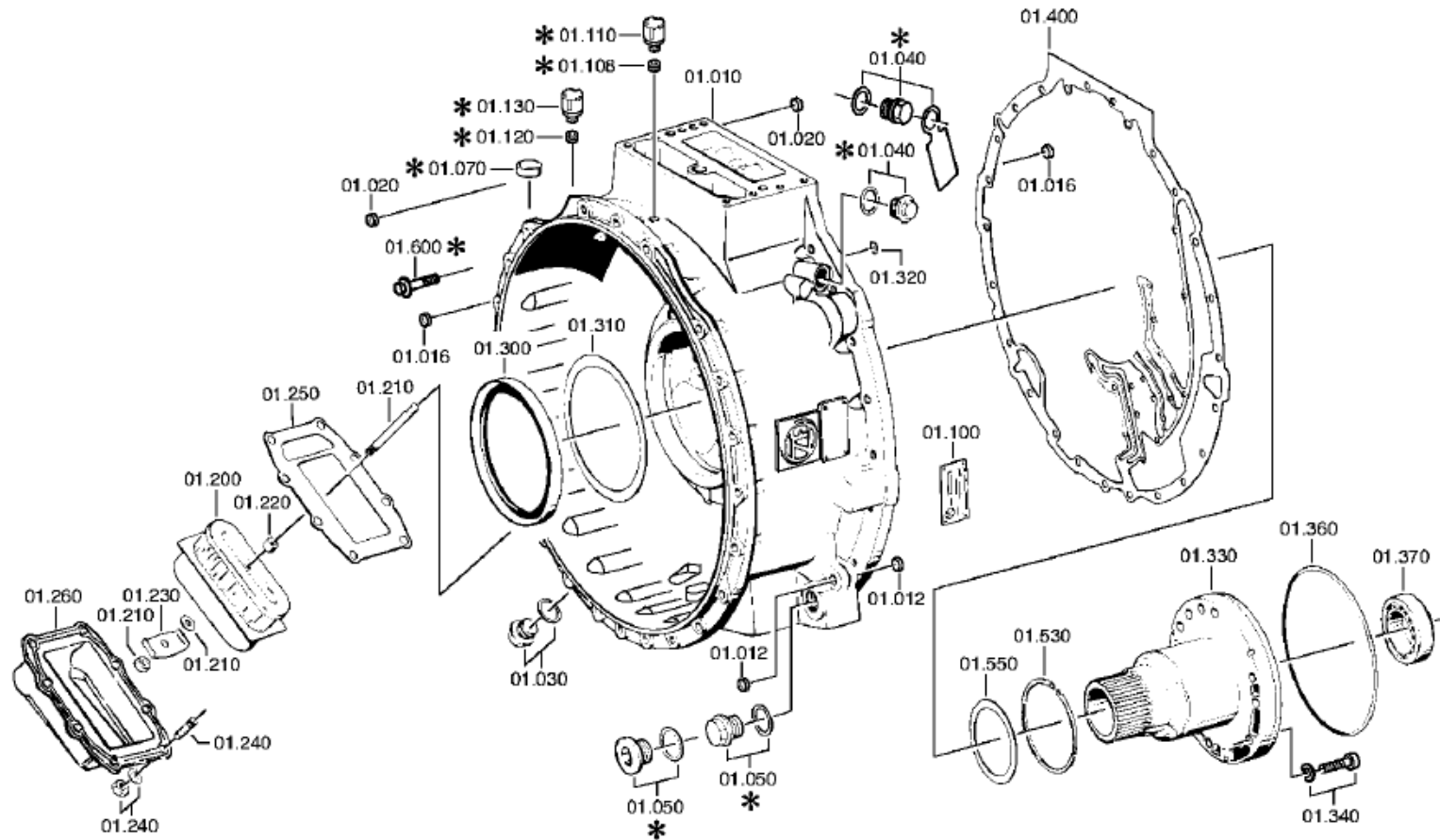
Material number: 4130.065.212

Plant: 002.01.01-1

Material-assembly-group-no: 4130.101.092

16 S 251 WSK /

CONVERTER HOUSING





# Parts list

Page 1 from 3

Material number: 4130.065.212

16 S 251 WSK /

Plant: 002.01.01-1

Material-assembly-group-no: 4130.101.092



Pos.	Material number	Customer material	Name	Quantity	ME	Amend. no.	Techn. Info.	Weight	Rep kit	Alternative material
10	4130.201.160		CONVERTER HOUSING	1		C01002910D10	KPL. IN 4130 201 118(0)	0,000		
12	---		SEALING CAP	2		Z00007345425		0,000		
---	0630.361.032		SEALING CAP	2		Z00007345411		2,100		
---	0666.690.186		SEALCOMPOUND	2		Z00007345411		0,000		
16	---		SEALING CAP	2		Z00007345425		0,000		
---	0630.361.032		SEALING CAP	2		Z00007345411		2,100		
---	0666.690.186		SEALCOMPOUND	2		Z00007345411		0,000		
20	---		SEALING CAP	2		Z00007345425		0,000		
---	0630.361.032		SEALING CAP	2		Z00007345411		2,100		
---	0666.690.186		SEALCOMPOUND	2		Z00007345411		0,000		
30	---		SCREW PLUG	1		Z00010112111	60N.M*DICHTRING M24X1,5	0,000		
---	0636.304.088		SCREW PLUG	1		Z00010112110	M24X1,5	0,000		
---	0634.801.206		SEALING RING	1		Z00010112110	24X29	0,001		
40	---		SCREW PLUG	1			60N.M*DICHTRING* SCHILD- OELEINFUELLUNG M24X1,5	0,000		
---	0634.801.206		SEALING RING	1			24X29	0,001		
---	4130.301.245		PLATE	1				0,000		
50	---		SCREW PLUG	1		Z00010164412	65N.M*DICHTRING M26X1,5	0,000		
---	0636.100.811		SCREW PLUG	1		Z00010164420	M26X1,5	0,000		
---	0634.801.165	SA 8220-03050	SEALING RING	1		Z00010164420	26X31	2,900		
70	---		SEALING CAP	1		Z00007345424		0,000		
---	0630.361.050	0044300297	SEALING CAP	1		Z00007345411		6,800		
---	0666.690.186		SEALCOMPOUND	1		Z00007345411		0,000		
100	0730.365.071		TYPE PLATE	1				0,000		
110	---		BREATHER	1			M10X1KEG	0,000		
---	0501.202.797	00640762	BREATHER	1			KPL.	30		
---	0501.218.540		BREATHER	1				0,000		

# Parts list

Page 2 from 3

Material number: 4130.065.212

16 S 251 WSK /

Plant: 002.01.01-1

Material-assembly-group-no: 4130.101.092



Pos.	Material number	Customer material	Name	Quantity	ME	Amend. no.	Techn. Info.	Weight	Rep kit	Alternative material
120	0636.301.076		SCREW PLUG	1		Z00010158013	M10X1	0,000		
200	0501.202.378	5101 32708	SCREEN INSERT	1			KPL.	0,000		
210	---		BOLT+NUT	1			M8SK6	0,000		
---	0736.617.033	5307-12-170-6285	STUD	1			M8SK6	0,000		
---	0730.103.468		WASHER	1				0,000		
---	0637.006.280		HEXAGON NUT	1		Z00007282712	M8	0,000		
220	0730.260.435	3120-12-162-0844	BUSH	1				0,000		
230	4130.301.065	5340121660792	LEAF SPRING	1				0,000		
240	---		BOLT+NUT	8			M8X16	0,000		
---	0636.100.273		STUD	8		Z00007716212	M8X16	0,000		
---	0730.003.075	2150113600	WASHER	8			A=2,00	5		
---	0637.006.280		HEXAGON NUT	8		Z00007282712	M8	0,000		
250	4130.301.220	1696290010	GASKET	1			ENTHALT.IN 4130 301 219(2)	0,000		
260	4130.301.122	2520121738056	TRAY	1				0,000		
300	---		SHAFT SEAL	1			155X178X12	0,000		
---	0734.310.401	5 8354 0	SHAFT SEAL	1			155X178X12 FA.CFW	0,000		
---	0666.690.186		SEALCOMPOUND	1		Z00007345415		0,000		
310	0730.004.717	5365-12-311-2964	WASHER	1			A=1,00	0,000		
320	0634.313.127	5331-12-197-7193	O-RING	1			10X2,5	0,000		
330	4130.301.070	98211300	OIL FEEDFLANGE	1			ENTHALT.IN 4130 301 174(0)	0,000		
340	---		CAP SCREW	11			M10X40	0,000		
---	0636.100.816		CAP SCREW	11		Z00007963710	M10X40	0,000		
---	0630.100.242		SPRING WASHER	11		Z00007290810		0,000		
360	0634.313.980	9301955	O-RING	1			182X3	5		
370	0750.117.024	1000000970	TAROLLBEARING	1			55,0X90,0X23,0	550		
400	0501.320.260		GASKET	1		C01001952C10		0,000		
530	4130.301.043	8204000990	PISTON RING	1				0,000		
550	---	000718000081	SHIM RING	1				0,000		
---	0730.100.911	2150028900	SHIM	1			80X93X2,40	30		

# Parts list

Page 3 from 3

Material number: 4130.065.212

16 S 251 WSK /

Plant: 002.01.01-1

Material-assembly-group-no: 4130.101.092



Pos.	Material number	Customer material	Name	Quantity	ME	Amend. no.	Techn. Info.	Weight	Rep kit	Alternative material
---	0730.101.208	2150060600	SHIM	1			80X93X2,20	27		
---	0630.004.072	000718000086	SHIM RING	1			80X100X2	0,040		
---	0630.004.070		SHIM RING	1			80X100X1,8	0,030		
---	0630.004.068		SHIM RING	1			80X100X1,6	33		
---	0630.004.066		SHIM RING	1			80X100X1,4	29		
---	0630.004.064		SHIM RING	1			80X100X1,2	25		
---	0630.000.118	1000003456	SHIM RING	1			80X100X1,0	0,020		
---	4607.302.020		SHIM	1				8		

# Plant

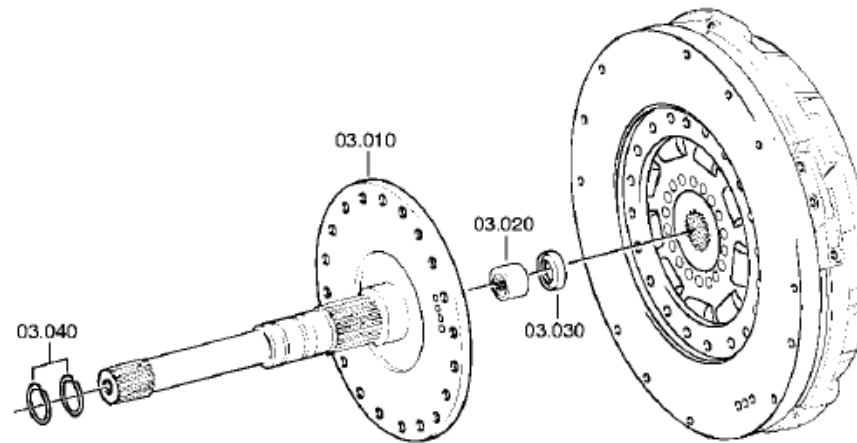
Page 1 from 1

Material number: 4130.065.212

Plant: 002.03.02-1

Material-assembly-group-no: 4130.103.035

16 S 251 WSK /  
TURBINE SHAFT



# Parts list

Page 1 from 1

Material number: 4130.065.212

16 S 251 WSK /

Plant: 002.03.02-1

Material-assembly-group-no: 4130.103.035



Pos.	Material number	Customer material	Name	Quantity	ME	Amend. no.	Techn. Info.	Weight	Rep kit	Alternative material
10	4130.203.035		TURBINE SHAFT	1			KPL. IN 4130 203 036(1)	0,000		
20	0635.303.053	35055200	NEEDLE SLEEVE	1			25X32X20	120		
30	0634.300.311	0905002551	SHAFT SEAL	1			25X40X8	0,000		
40	0634.402.052	3150122100	R-RING	2			55X2,5	7		

# Plant

Page 1 from 1

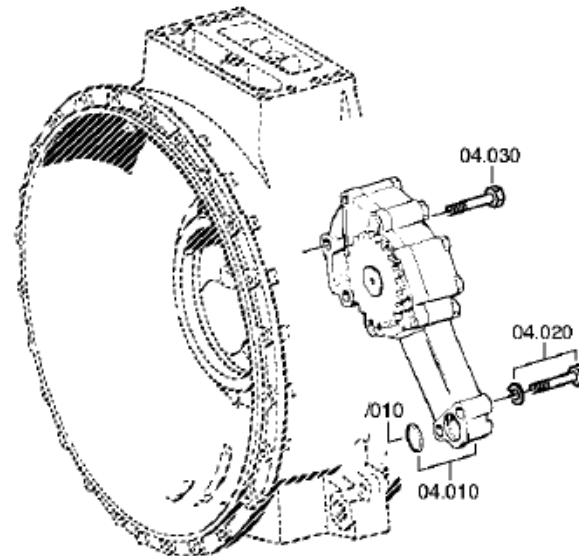
Material number: 4130.065.212

Plant: 002.04.01-1

Material-assembly-group-no: 4130.104.023

16 S 251 WSK /

PUMP



# Parts list

Page 1 from 2

Material number: 4130.065.212

16 S 251 WSK /

Plant: 002.04.01-1

Material-assembly-group-no: 4130.104.023



Pos.	Material number	Customer material	Name	Quantity	ME	Amend. no.	Techn. Info.	Weight	Rep kit	Alternative material
10	7654.955.117	1730107211	GEAR PUMP	1			INNEN	5,840		
/---	0630.505.501	4192747A	SNAP RING	1				0,003		
/---	0635.303.061	252037A086759	NEEDLE SLEEVE	1			30X37X16	0,000		
/---	7654.001.113		HOUSING					0,000		7654.801.110
/---	7654.001.113		HOUSING	1				0,000		
/---	7654.002.112		COVER	1				0,000		
/---	7654.202.113		COVER	1				0,000		
/---	7654.260.109		PUMP WHEEL	1				0,000		
/---	7654.314.108		SHAFT	1				0,000		
/1	7654.801.110		HOUSING	1				0,000		
/11	7654.202.113		COVER	1				0,000		
/13	0630.000.016	190003930191	SHIM RING				30X42X0,5	2		7654.801.110
/13	0630.000.016	190003930191	SHIM RING	2			30X42X0,5	2		
/14	7654.314.108		SHAFT					0,000		7654.801.110
/15	0631.501.073		FITTING KEY				6X6X20	5,100		7654.801.110
/15	0631.501.073		FITTING KEY	2			6X6X20	5,100		
/16	0630.505.501	4192747A	SNAP RING					0,003		7654.801.110
/17	0736.008.032		FITTING BOLT					0,000		7654.801.110
/17	0736.008.032		FITTING BOLT	2				0,000		
/18	0630.001.012	1000000173	WASHER	2				1,500		
/19	0637.009.004		HEXAGON NUT	2			M8	0,000		
/2	0635.303.061	252037A086759	NEEDLE SLEEVE				30X37X16	0,000		7654.801.110
/2	0635.303.061	252037A086759	NEEDLE SLEEVE	1			30X37X16	0,000		
/20	0634.306.217	9997584500	O-RING	1			24X3	0,001		
/3	7654.260.109		PUMP WHEEL	1				0,000		
/4	0630.302.011		SPRING WASHER	1				0,000		
/5	0636.101.021	0091204497	CAP SCREW	1			M6X50	12		
/130	7654.001.113		HOUSING					0,000		7654.801.110
/160	7654.260.109		PUMP WHEEL	1				0,000		
/80	7654.801.110		HOUSING	1				0,000		
//80	0630.505.501	4192747A	SNAP RING	1				0,003		

# Parts list

Page 2 from 2

Material number: 4130.065.212

16 S 251 WSK /

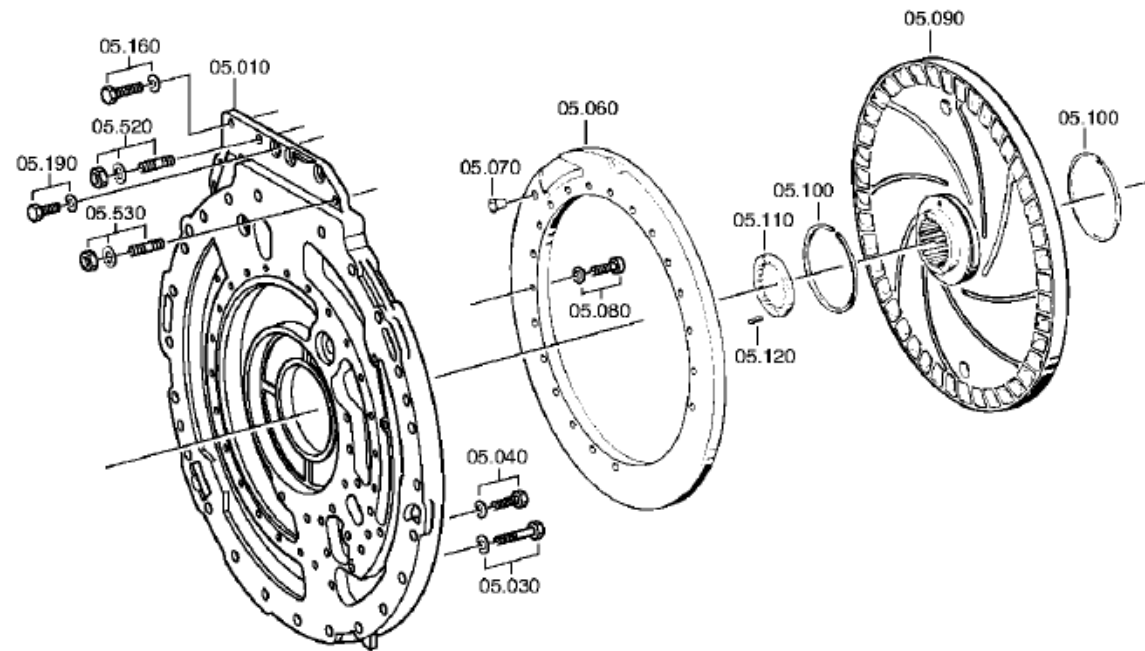
Plant: 002.04.01-1

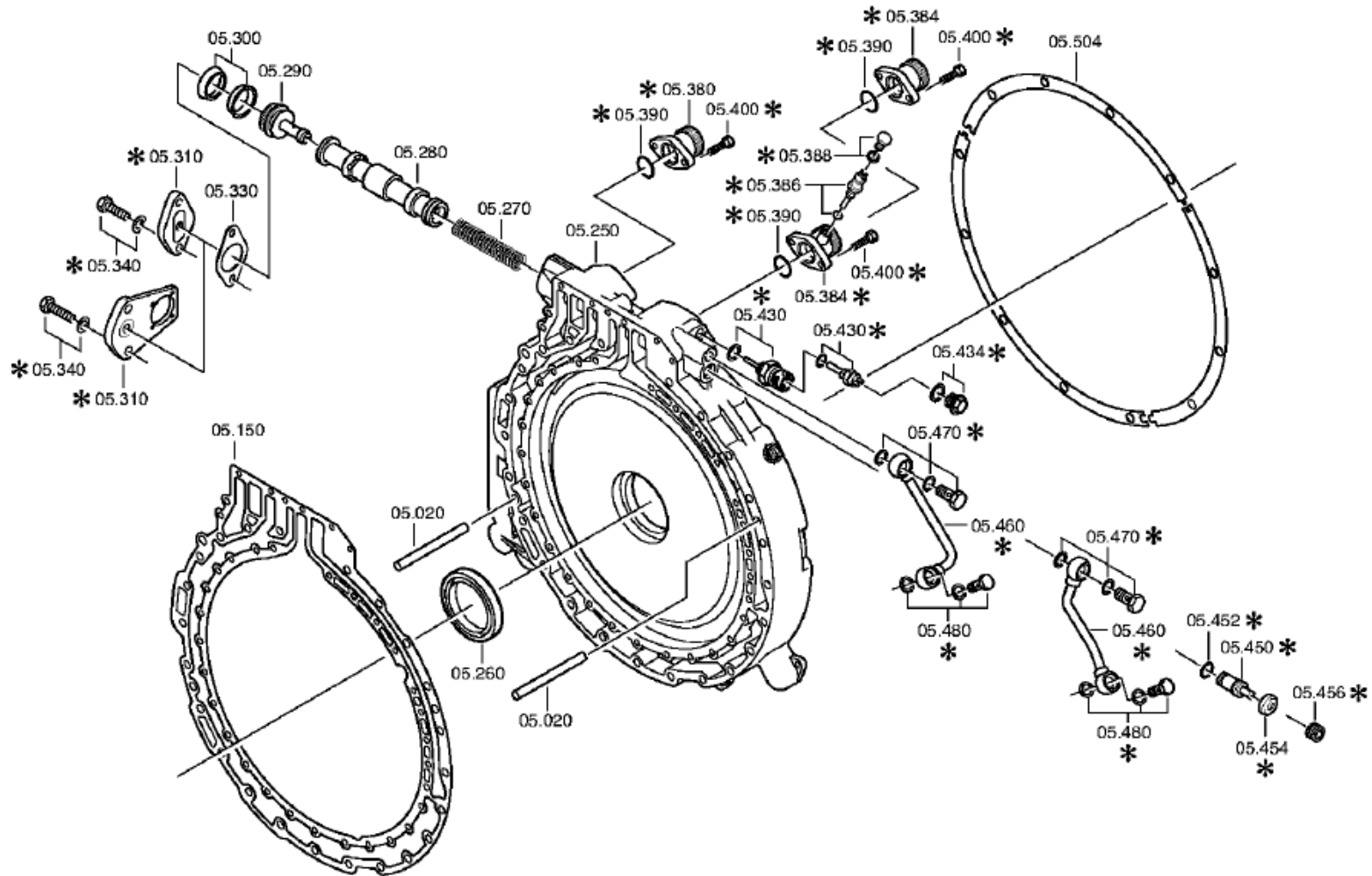
Material-assembly-group-no: 4130.104.023



Pos.	Material number	Customer material	Name	Quantity	ME	Amend. no.	Techn. Info.	Weight	Rep kit	Alternative material
//10	7654.001.113		HOUSING	1				0,000		
//40	7654.202.113		COVER	1				0,000		
///10	0635.303.061	252037A086759	NEEDLE SLEEVE	1			30X37X16	0,000		
///20	7654.002.112		COVER	1				0,000		
//60	7654.314.108		SHAFT	1				0,000		
//20	0635.303.061	252037A086759	NEEDLE SLEEVE	1			30X37X16	0,000		
//30	7654.260.109		PUMP WHEEL	1				0,000		
//50	0630.000.016	190003930191	SHIM RING	2			30X42X0,5	2		
//70	0631.501.073		FITTING KEY	2			6X6X20	5,100		
//90	0736.008.032		FITTING BOLT	2				0,000		
/80	0635.303.061	252037A086759	NEEDLE SLEEVE				30X37X16	0,000		7654.801.110
/30	0630.302.011		SPRING WASHER	1				0,000		
/100	0636.101.021	0091204497	CAP SCREW	1			M6X50	12		
/40	0630.302.016		SPRING WASHER	6				0,600		
/90	0636.010.295	1000000341	HEXAGON BOLT	6		C040P0312410	M8X50	0,020		
/150	7654.202.113		COVER	1				0,000		
///10	0635.303.061	252037A086759	NEEDLE SLEEVE	1			30X37X16	0,000		
///20	7654.002.112		COVER	1				0,000		
/10	0630.000.016	190003930191	SHIM RING				30X42X0,5	2		7654.801.110
/170	7654.314.108		SHAFT					0,000		7654.801.110
/60	0631.501.073		FITTING KEY				6X6X20	5,100		7654.801.110
/50	0630.505.501	4192747A	SNAP RING					0,003		7654.801.110
/120	0736.008.032		FITTING BOLT					0,000		7654.801.110
/20	0630.001.012	1000000173	WASHER	2				1,500		
/110	0637.009.004		HEXAGON NUT	2			M8	0,000		
/70	0634.306.217	9997584500	O-RING	1			24X3	0,001		
/6	0630.302.016		SPRING WASHER	6				0,600		
/7	0636.010.295	1000000341	HEXAGON BOLT	6		C040P0312410	M8X50	0,020		
20	---		HEXAGON BOLT	2			M10X55	0,000		
30	0636.011.759		HEXAGON BOLT	3		Z00007064811	M10X55	0,000		





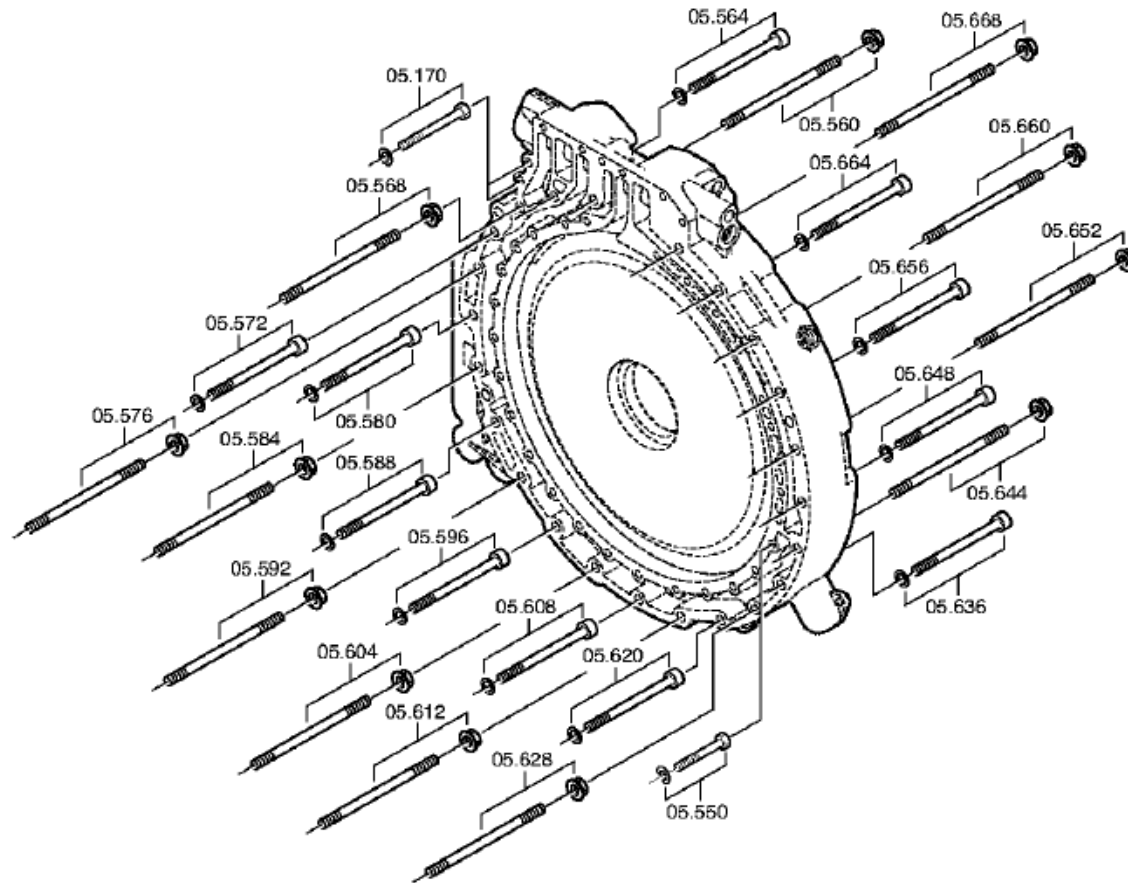


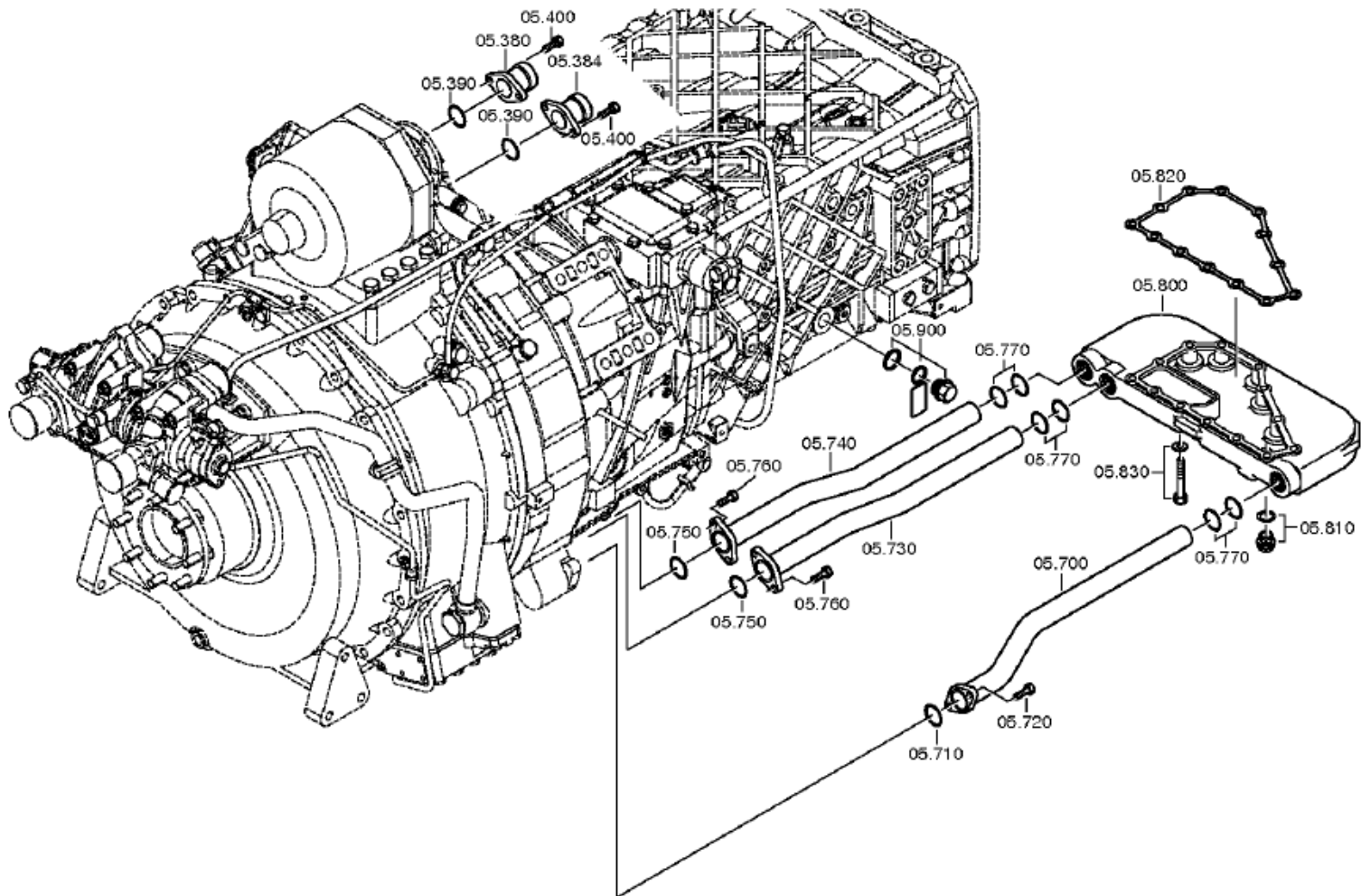
# Plant

Page 3 from 4

Material number: 4130.065.212  
Plant: 002.05.01-3  
RETARDER

16 S 251 WSK /  
RETARDHOUSING





# Parts list

Page 1 from 6

Material number: 4130.065.212

16 S 251 WSK /

Plant: 002.05.01-1

Material-assembly-group-no: 4130.105.083



Pos.	Material number	Customer material	Name	Quantity	ME	Amend. no.	Techn. Info.	Weight	Rep kit	Alternative material
10	4130.305.362		HOUSING	1		C01007498C10		0,000		
20	0631.306.760		CYLINDRICAL PIN	2			12X105	0,000		
30	---		HEXAGON BOLT	8		Z00008932111	M8X45	0,000		
40	---		HEXAGON BOLT	11		Z00007059111	M8X28	0,000		
60	4130.305.374		STATOR	1		C01005694C10		0,000		
70	4130.305.047		ORIFICE	1				0,000		
80	---		CAP SCREW	20			M8X22	0,000		
---	0636.115.300		CAP SCREW	20		Z00007064111	M8X22	0,000		
---	0630.100.261		SPRING WASHER	20		Z00007165511		0,000		
90	4130.305.373		ROTOR	1		C01005694C10		0,000		
100	4130.301.043	8204000990	PISTON RING	2				0,000		
110	0730.200.183		WASHER	1			A=5,00	0,000		
120	0631.330.062		SLOTPIN	2			4X10	0,000		
150	0501.320.261		GASKET	1		C01001549C10		0,000		
160	---		HEXAGON BOLT	1			M8X35	0,000		
---	0636.100.628		HEXAGON BOLT	1			M8X35	0,000		
---	0630.100.251		SPRING WASHER	1		Z00007159812		0,000		
170	---		HEXAGON BOLT	2		Z00007052911	M8X80	0,000		
---	0636.011.762		HEXAGON BOLT	2		Z00007052910	M8X80	0,000		
---	0630.100.295		WASHER	2		Z00007158413		0,000		
190	---		HEXAGON BOLT	3			M8X25	0,000		
250	4130.305.347		HOUSING	1		C01001717B10		0,000		
260	---		SHAFT SEAL	1			70X90X10	0,000		
---	0734.319.815		SHAFT SEAL	1			70X90X10 FA.CFW	0,000		
270	---		COMPRSPRING	1		C01005325B10	LO=250/205,7/205/202	0,000		
---	0732.041.246		COMPRSPRING	1			LO=250,0	0,000		
---	0732.042.819		COMPRSPRING	1			LO=202,0	0,000		
---	0732.042.823		COMPRSPRING	1			LO=205,7 D=3,0	0,000		
---	0732.042.899		COMPRSPRING	1		C01006015D10	L0=205,0 D=3,4	0,000		
280	4130.305.122		OPERATING ROD	1				0,000		
290	4130.305.096		PISTON	1				0,000		

# Parts list

Page 2 from 6

Material number: 4130.065.212

16 S 251 WSK /

Plant: 002.05.01-1

Material-assembly-group-no: 4130.105.083



Pos.	Material number	Customer material	Name	Quantity	ME	Amend. no.	Techn. Info.	Weight	Rep kit	Alternative material
300	0634.307.798		U-RING	2				0,000		
310	4130.305.335		CONNPART	1			ENTHALT.IN 4130 305 334(2)	0,000		
330	4130.305.283	5330123457093	GASKET	1			ENTHALT.IN 4130 305 282(2)	0,000		
340	---		HEXAGON BOLT	2			M8X35	0,000		
---	0636.100.628		HEXAGON BOLT	2			M8X35	0,000		
---	0630.100.295		WASHER	2		Z00007158415		0,000		
380	4130.305.035		CONNPART	1			ENTHALT.IN 4130 305 153(2)	0,000		
384	4130.305.312		CONNPART	1				0,000		
386	---		TEMPERATURE SENSOR	1		C01006710E10		0,000		
---	0501.322.528	77901700	TEMPERATURE SENSOR	1				0,000		
---	0634.801.151	VOE14558096	SEALING RING	1			14X20	2		
390	0634.313.056	00579163	O-RING	2			37X3	0,002		
394	0700.300.427		PROTECTING CAP	1				0,005		
400	0636.016.412		HEXAGON BOLT	4			M8X22	0,000		
430	---		TEMPERATURE SENSOR	1		C01006707E10		0,000		
---	0501.322.527		TEMPERATURE SENSOR	1				0,000		
---	0634.801.151	VOE14558096	SEALING RING	1			14X20	2		
450	---		ADJUSTING SCREW	1		C01009264B10	O.MA	0,000		
---	4130.305.306		ADJUSTING SCREW	1				0,000		
452	0634.313.079	5331-12-334-0599	O-RING	1			14X2,5	0,000		
454	0730.301.061		SEALING CAP	1		Z00010420010		0,000		
460	4130.205.154		PIPE	1			KPL.	0,000		
470	---		UNION SCREW	1		Z00004383512		0,000		
---	0637.100.516		UNION SCREW	1		Z00010740611		0,000		
---	0730.008.604		SEALING RING	1		Z00004383519		0,000		
480	---		UNION SCREW	1		Z00004383512		0,000		
---	0637.100.516		UNION SCREW	1		Z00010740611		0,000		
---	0730.008.604		SEALING RING	1		Z00004383519		0,000		

# Parts list

Page 3 from 6

Material number: 4130.065.212

16 S 251 WSK /

Plant: 002.05.01-1

Material-assembly-group-no: 4130.105.083



Pos.	Material number	Customer material	Name	Quantity	ME	Amend. no.	Techn. Info.	Weight	Rep kit	Alternative material
504	0501.321.208		GASKET	1				0,000		
520	---		BOLT+NUT	1			M8X25	0,000		
---	0636.610.022	MX252616	STUD	1			M8X25	10,500		
---	0630.100.295		WASHER	1		Z00007158414		0,000		
---	0637.006.280		HEXAGON NUT	1		Z00007282712	M8	0,000		
530	---		BOLT+NUT	1			M8X25	0,000		
---	0636.610.022	MX252616	STUD	1			M8X25	10,500		
---	0630.100.295		WASHER	1		Z00007158414		0,000		
---	0637.006.280		HEXAGON NUT	1		Z00007282712	M8	0,000		
550	---		HEXAGON BOLT	28		Z00007058712	M8X50	0,000		
560	---		BOLT+NUT	1		C01005541B10	M12X175	0,000		
---	0736.610.622		STUD	1		Z00007345420		0,000		
---	0666.690.003	00594532	JOINCOMPOUND	1		Z00007345420		0,090		
---	0637.025.112		HEXAGON NUT	1		Z00007283611	M12	0,000		
564	---		CAP SCREW	1			M12X115	0,000		
---	0636.101.925		CAP SCREW	1			M12X115	0,000		
---	0630.003.009	0043300297	WASHER	1				0,002		
568	---		BOLT+NUT	1		C01005541B10	M12X175	0,000		
---	0736.610.622		STUD	1		Z00007345420		0,000		
---	0666.690.003	00594532	JOINCOMPOUND	1		Z00007345420		0,090		
---	0637.025.112		HEXAGON NUT	1		Z00007283611	M12	0,000		
572	---		CAP SCREW	1			M12X115	0,000		
---	0636.101.925		CAP SCREW	1			M12X115	0,000		
---	0630.003.009	0043300297	WASHER	1				0,002		
576	---		BOLT+NUT	1		C01005541B10	M12X175	0,000		
---	0736.610.622		STUD	1		Z00007345420		0,000		
---	0666.690.003	00594532	JOINCOMPOUND	1		Z00007345420		0,090		
---	0637.025.112		HEXAGON NUT	1		Z00007283611	M12	0,000		
580	---		CAP SCREW	1			M12X115	0,000		
---	0636.101.925		CAP SCREW	1			M12X115	0,000		
---	0630.003.009	0043300297	WASHER	1				0,002		

# Parts list

Page 4 from 6

Material number: 4130.065.212

16 S 251 WSK /

Plant: 002.05.01-1

Material-assembly-group-no: 4130.105.083



Pos.	Material number	Customer material	Name	Quantity	ME	Amend. no.	Techn. Info.	Weight	Rep kit	Alternative material
584	---		BOLT+NUT	1		C01005541B10	M12X175	0,000		
---	0736.610.622		STUD	1		Z00007345420		0,000		
---	0666.690.003	00594532	JOINCOMPOUND	1		Z00007345420		0,090		
---	0637.025.112		HEXAGON NUT	1		Z00007283611	M12	0,000		
588	---		CAP SCREW	1			M12X115	0,000		
---	0636.101.925		CAP SCREW	1			M12X115	0,000		
---	0630.003.009	0043300297	WASHER	1				0,002		
592	---		BOLT+NUT	1		C01005541B10	M12X175	0,000		
---	0736.610.622		STUD	1		Z00007345420		0,000		
---	0666.690.003	00594532	JOINCOMPOUND	1		Z00007345420		0,090		
---	0637.025.112		HEXAGON NUT	1		Z00007283611	M12	0,000		
596	---		CAP SCREW	1			M12X115	0,000		
---	0636.101.925		CAP SCREW	1			M12X115	0,000		
---	0630.003.009	0043300297	WASHER	1				0,002		
604	---		BOLT+NUT	1			M12X175	0,000		
---	0736.610.621		STUD	1				0,000		
---	0666.690.003	00594532	JOINCOMPOUND	1		Z00007345421		0,090		
---	0637.025.112		HEXAGON NUT	1		Z00007283611	M12	0,000		
608	---		CAP SCREW	1			M12X110	0,000		
---	0636.101.622		CAP SCREW	1		C01001602A10	M12X110	0,000		
---	0630.003.009	0043300297	WASHER	1				0,002		
612	---		BOLT+NUT	1			M12X175	0,000		
---	0736.610.621		STUD	1				0,000		
---	0666.690.003	00594532	JOINCOMPOUND	1		Z00007345421		0,090		
---	0637.025.112		HEXAGON NUT	1		Z00007283611	M12	0,000		
620	---		CAP SCREW	1			M12X110	0,000		
---	0636.101.622		CAP SCREW	1		C01001602A10	M12X110	0,000		
---	0630.003.009	0043300297	WASHER	1				0,002		
628	---		BOLT+NUT	1		C01005541B10	M12X175	0,000		
---	0736.610.622		STUD	1		Z00007345420		0,000		
---	0666.690.003	00594532	JOINCOMPOUND	1		Z00007345420		0,090		



# Parts list

Page 5 from 6

Material number: 4130.065.212

16 S 251 WSK /

Plant: 002.05.01-1

Material-assembly-group-no: 4130.105.083



Pos.	Material number	Customer material	Name	Quantity	ME	Amend. no.	Techn. Info.	Weight	Rep kit	Alternative material
---	0637.025.112		HEXAGON NUT	1		Z00007283611	M12	0,000		
636	---		CAP SCREW	1			M12X115	0,000		
---	0636.101.925		CAP SCREW	1			M12X115	0,000		
---	0630.003.009	0043300297	WASHER	1				0,002		
644	---		BOLT+NUT	1		C01005541B10	M12X175	0,000		
---	0736.610.622		STUD	1		Z00007345420		0,000		
---	0666.690.003	00594532	JOINCOMPOUND	1		Z00007345420		0,090		
---	0637.025.112		HEXAGON NUT	1		Z00007283611	M12	0,000		
648	---		CAP SCREW	1			M12X115	0,000		
---	0636.101.925		CAP SCREW	1			M12X115	0,000		
---	0630.003.009	0043300297	WASHER	1				0,002		
652	---		BOLT+NUT	1		C01005541B10	M12X175	0,000		
---	0736.610.622		STUD	1		Z00007345420		0,000		
---	0666.690.003	00594532	JOINCOMPOUND	1		Z00007345420		0,090		
---	0637.025.112		HEXAGON NUT	1		Z00007283611	M12	0,000		
656	---		CAP SCREW	1			M12X115	0,000		
---	0636.101.925		CAP SCREW	1			M12X115	0,000		
---	0630.003.009	0043300297	WASHER	1				0,002		
660	---		BOLT+NUT	1		C01005541B10	M12X175	0,000		
---	0736.610.622		STUD	1		Z00007345420		0,000		
---	0666.690.003	00594532	JOINCOMPOUND	1		Z00007345420		0,090		
---	0637.025.112		HEXAGON NUT	1		Z00007283611	M12	0,000		
664	---		CAP SCREW	1			M12X115	0,000		
---	0636.101.925		CAP SCREW	1			M12X115	0,000		
---	0630.003.009	0043300297	WASHER	1				0,002		
668	---		BOLT+NUT	1		C01005541B10	M12X175	0,000		
---	0736.610.622		STUD	1		Z00007345420		0,000		
---	0666.690.003	00594532	JOINCOMPOUND	1		Z00007345420		0,090		
---	0637.025.112		HEXAGON NUT	1		Z00007283611	M12	0,000		
700	4130.205.149		RETURN TUBE	1			KPL.	0,000		
710	0634.314.450	1238426	O-RING	1			35X3	1,500		

# Parts list

Page 6 from 6

Material number: 4130.065.212

16 S 251 WSK /

Plant: 002.05.01-1

Material-assembly-group-no: 4130.105.083



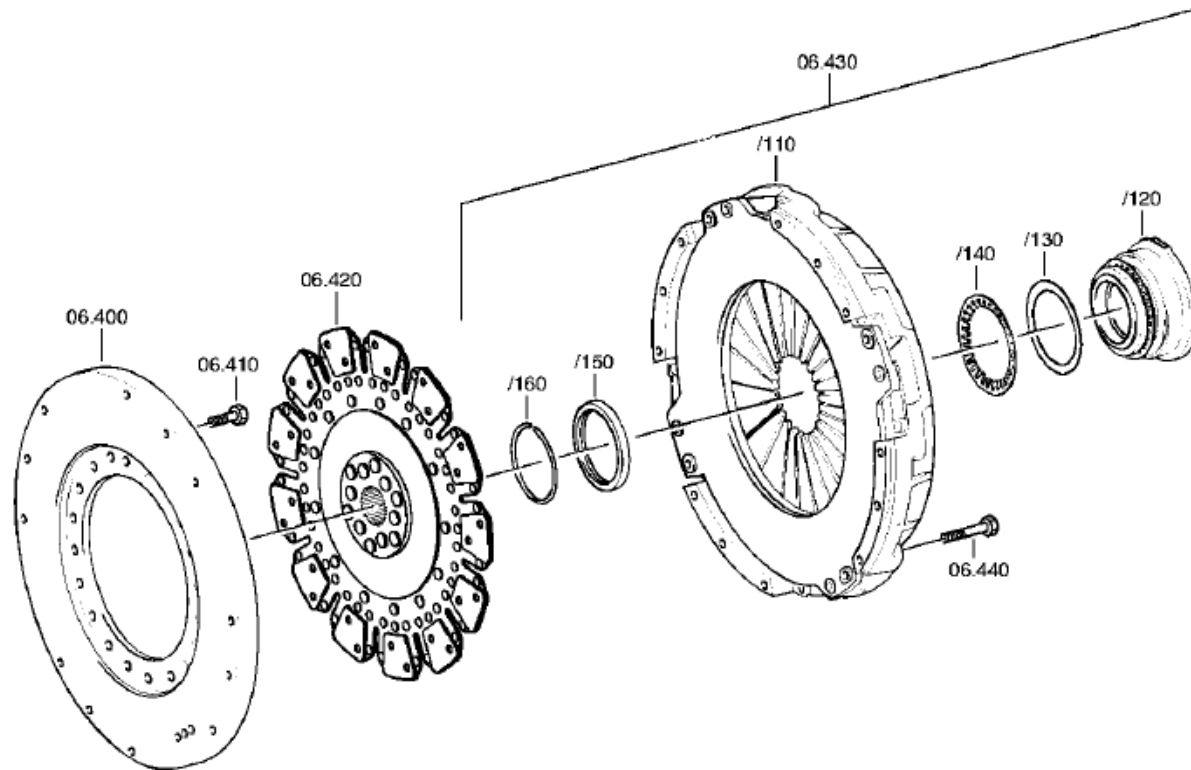
Pos.	Material number	Customer material	Name	Quantity	ME	Amend. no.	Techn. Info.	Weight	Rep kit	Alternative material
720	0636.016.414	1869864	HEXAGON BOLT	2		Z00007059111	M8X28	0,000		
730	4130.205.148		SUCTION TUBE	1			KPL. IN 4130 205 156(1)	0,000		
740	4130.205.155		SUCTION TUBE	1			KPL. IN 4130 205 156(1)	0,000		
750	0634.314.450	1238426	O-RING	2			35X3	1,500		
760	0636.016.414	1869864	HEXAGON BOLT	4		Z00007059111	M8X28	0,000		
770	0634.313.664		O-RING	6			35X3,5	0,000		
800	4130.305.314		OIL TANK	1				0,000		
810	---		SCREW PLUG	1		Z00010112111	60N.M*DICHTRING M24X1,5	0,000		
---	0636.304.088		SCREW PLUG	1		Z00010112110	M24X1,5	0,000		
---	0634.801.206		SEALING RING	1		Z00010112110	24X29	0,001		
820	1315.301.234		GASKET	1		C01005351C10		0,000		
830	---		HEXAGON BOLT	13		Z00007049011	M10X60	0,000		
---	0636.011.755		HEXAGON BOLT	13		Z00007049010	M10X60	0,000		
---	0630.100.294		WASHER	13		Z00007158113		0,000		
900	---		SCREW PLUG	1		C01004271E10	60N.M*DICHTRING* SCHILD-OELSTAND- KONTR. M24X1,5	0,000		
---	0730.008.637		SEALING RING	1			A24X29	0,000		
---	4130.301.244		PLATE	1				0,000		

# Plant

Page 1 from 2

Material number: 4130.065.212  
Plant: 002.06.61-1  
CLUTCH CYLINDER

16 S 251 WSK /  
SEPARATING CLUTCH

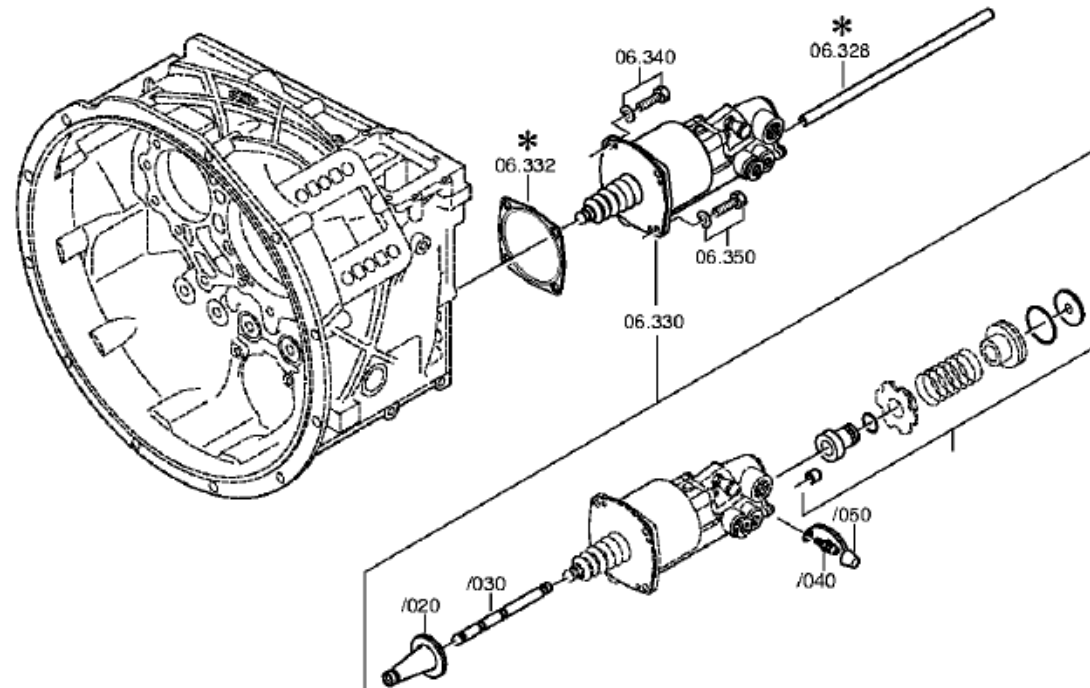


# Plant

Page 2 from 2

Material number: 4130.065.212  
Plant: 002.06.40-1  
CLUTCH CYLINDER

16 S 251 WSK /  
SEPARATING CLUTCH



# Parts list

Page 1 from 1

Material number: 4130.065.212

16 S 251 WSK /

Plant: 002.06.61-1

Material-assembly-group-no: 4130.106.128



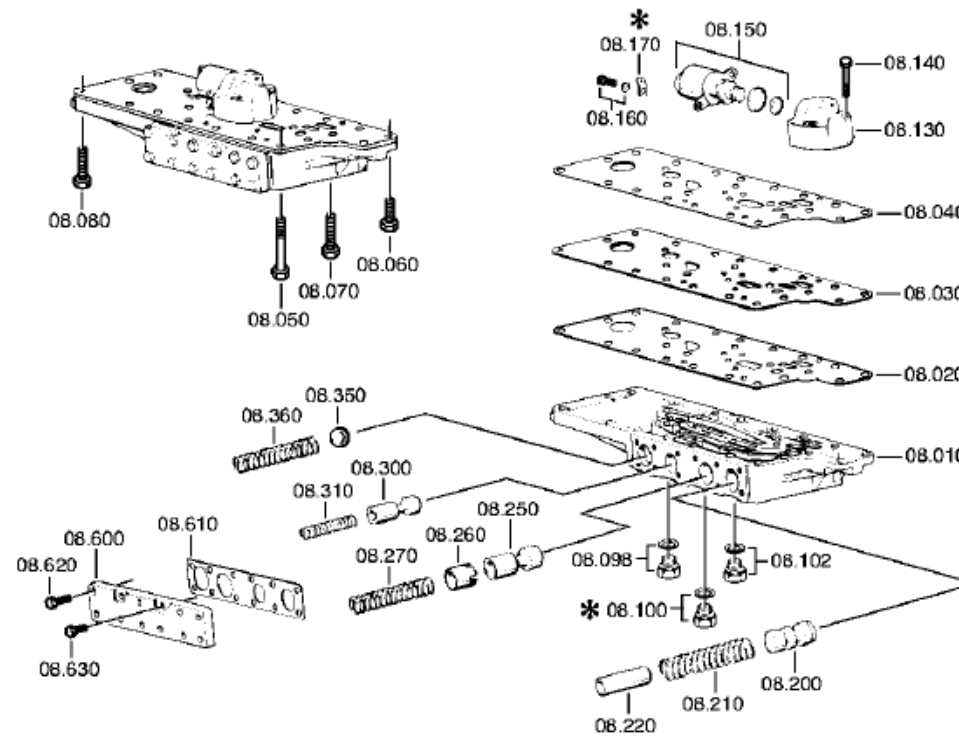
Pos.	Material number	Customer material	Name	Quantity	ME	Amend. no.	Techn. Info.	Weight	Rep kit	Alternative material
328	0659.145.168		HOSE	4			10X3,75	0,000		
330	0501.006.695	571872308	CLUTCH CYLINDER	1			WATFAEHIG	0,000		
332	0501.325.130		GASKET	1		Z00004174110		0,000		
340	---		HEXAGON BOLT	2			M8X22	0,000		
---	0636.016.412		HEXAGON BOLT	2			M8X22	0,000		
---	0630.100.251		SPRING WASHER	2		Z00007159812		0,000		
350	---		HEXAGON BOLT	2			M8X22	0,000		
---	0636.016.412		HEXAGON BOLT	2			M8X22	0,000		
---	0630.100.251		SPRING WASHER	2		Z00007159812		0,000		
400	0501.312.962	97945673	INTERMPLATE	1				0,000		
410	0636.015.270	1000000358	HEXAGON BOLT	20			M10X16	0,020		
420	0501.209.974		CLUTCH DISC	1			KPL.	0,000		
430	0501.209.788	42200212	PRESSURE PLATE	1			KPL.	0,000		
/15	0501.208.473		PRESSURE PLATE	1			KPL.	0,000		
/25	0501.209.356		RELEASE DEVICE	1			KPL.	0,000		
/35	0501.298.544		ASSEMBLY KIT	1			WSK400/440ECO3* DRUCKPLATTE* 0501209788*TCTRONIC 0501212453	0,000		
440	0636.011.759		HEXAGON BOLT	12		Z00007064811	M10X55	0,000		

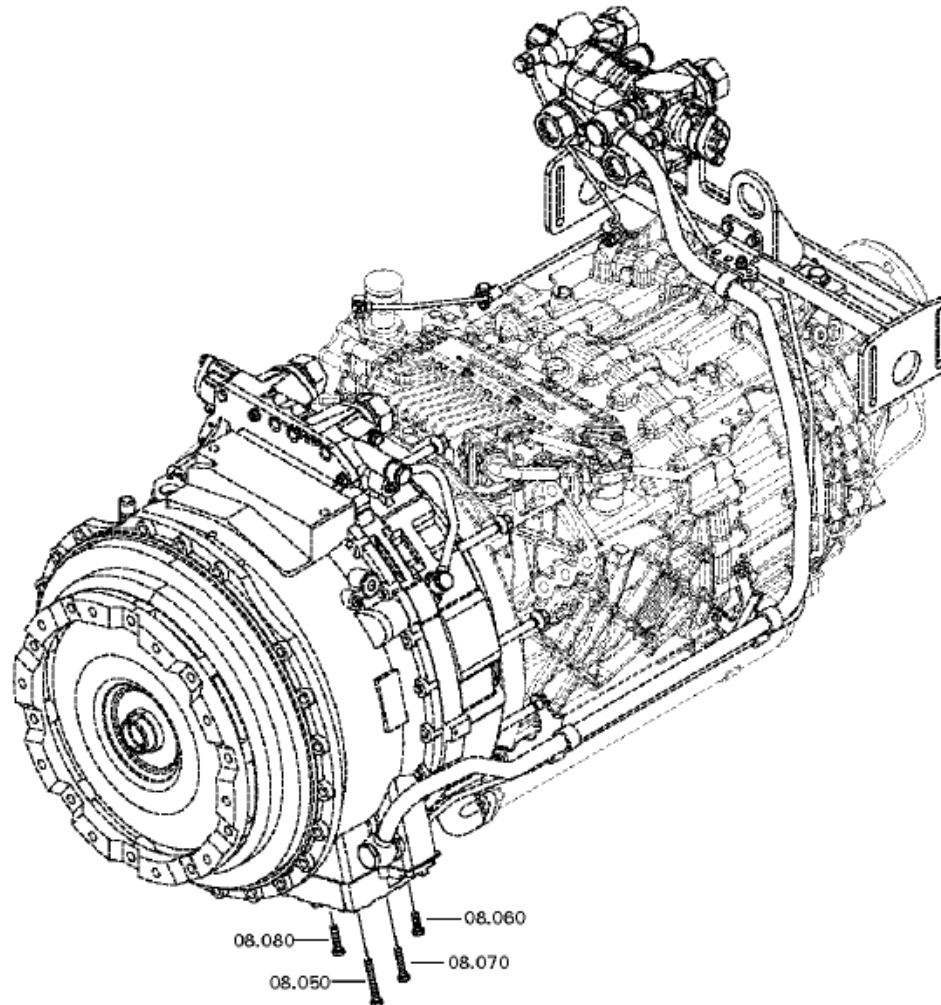
# Plant

Page 1 from 2

Material number: 4130.065.212  
Plant: 002.08.01-1  
CONTROL UNIT

16 S 251 WSK /  
CONTROL UNIT





# Parts list

Page 1 from 2

Material number: 4130.065.212

16 S 251 WSK /

Plant: 002.08.01-1

Material-assembly-group-no: 4130.108.042



Pos.	Material number	Customer material	Name	Quantity	ME	Amend. no.	Techn. Info.	Weight	Rep kit	Alternative material
10	4130.308.072	2520121706599	CONTROL HOUSING	1			ENTHALT.IN 4130 308 139(0)	0,000		
20	4130.308.163		GASKET	1		C01009256B10		0,000		
30	4130.308.164		COVER SHEET	1		C01005421B10	WSK STEUERUNG	0,000		
40	4130.308.163		GASKET	1		C01009256B10		0,000		
50	0636.011.758		HEXAGON BOLT	15		Z00007051815	M8X60	0,000		
60	0636.016.401		HEXAGON BOLT	2			M8X25	0,000		
70	0636.100.630		HEXAGON BOLT	1		Z00007058611	M8X40	0,000		
80	0636.100.628		HEXAGON BOLT	5			M8X35	0,000		
98	---		SCREW PLUG	1		Z00010172312	35N.M*DICHTRING M12X1,5	0,000		
---	0636.100.299		SCREW PLUG	1		Z00010172316	M12X1,5	0,000		
---	0634.801.205	0760305797	SEALING RING	1		Z00010172316	12X15,5	0,008		
100	---		SCREW PLUG	1		Z00010172312	35N.M*DICHTRING M12X1,5	0,000		
---	0636.100.299		SCREW PLUG	1		Z00010172316	M12X1,5	0,000		
---	0634.801.205	0760305797	SEALING RING	1		Z00010172316	12X15,5	0,008		
102	---		SCREW PLUG	1		Z00010172312	35N.M*DICHTRING M12X1,5	0,000		
---	0636.100.299		SCREW PLUG	1		Z00010172316	M12X1,5	0,000		
---	0634.801.205	0760305797	SEALING RING	1		Z00010172316	12X15,5	0,008		
130	4130.308.018	4810121707755	VALVE HOUSING	1			ENTHALT.IN 4130 308 141(2)	0,000		
140	0636.011.780		HEXAGON BOLT	2		Z00007069313	M6X40	0,000		
150	0501.320.093	4810-12-350-4013	SOLENOID VALVE	1		C01009334C10	24V 2POL	0,000		
160	---		CAP SCREW	2			M5X12	0,000		
---	0636.115.296	REPLACEMENT FOR 0636.101.651	CAP SCREW	2		Z00007288411	M5X12	0,000		
---	0630.305.028		SPRING WASHER	2				0,000		
200	4130.308.145	2520123120264	PISTON	1			ENTHALT.IN 4130 308 146(2)	0,000		



# Parts list

Page 2 from 2

Material number: 4130.065.212

16 S 251 WSK /

Plant: 002.08.01-1

Material-assembly-group-no: 4130.108.042



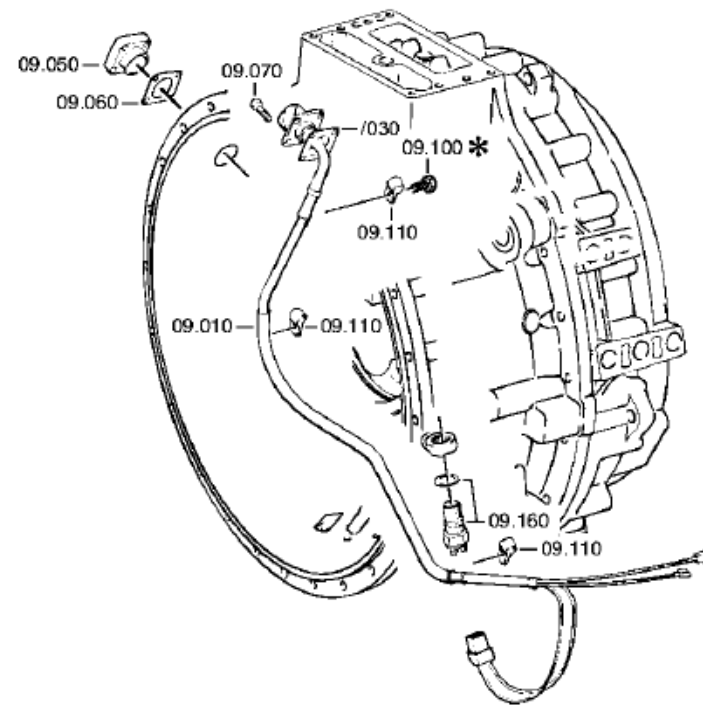
Pos.	Material number	Customer material	Name	Quantity	ME	Amend. no.	Techn. Info.	Weight	Rep kit	Alternative material
210	0732.042.691		COMPRSPRING	1				0,000		
220	0730.061.911		BUSH	1				0,000		
250	4130.308.078	2520121706597	PISTON	1				0,000		
260	0730.061.910	5365-12-170-7753	BUSH	1				0,000		
270	0732.042.444		COMPRSPRING	1				0,000		
300	4130.308.079	2520121708061	PISTON	1				0,000		
310	0732.040.769	5360121705531	COMPRSPRING	1				0,000		
350	0635.460.029	1000000327	BALL	1			20	33		
360	0732.042.692		COMPRSPRING	1				0,000		
600	4130.308.075	2520121706286	COVER	1			ENTHALT.IN 4130 308 143(2)	0,000		
610	4130.308.076	1744380400	GASKET	1				0,000		
620	0636.015.581		HEXAGON BOLT	10			M6X18	0,000		
630	0636.015.597		HEXAGON BOLT	2			M6X12	0,000		

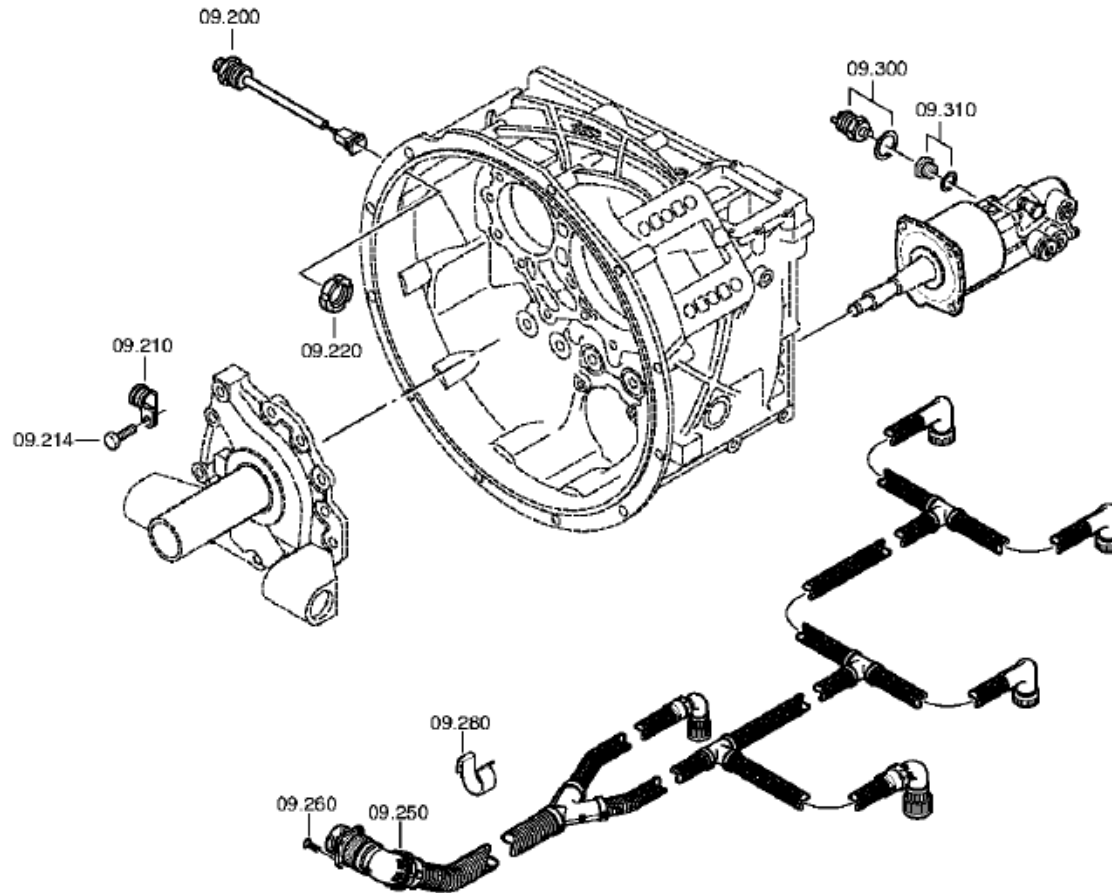
# Plant

Page 1 from 2

Material number: 4130.065.212  
Plant: 002.09.02-1  
ELEQUIPMENT

16 S 251 WSK /  
ELEQUIPMENT





# Parts list

Page 1 from 2

Material number: 4130.065.212

16 S 251 WSK /

Plant: 002.09.02-1

Material-assembly-group-no: 4130.109.059



Pos.	Material number	Customer material	Name	Quantity	ME	Amend. no.	Techn. Info.	Weight	Rep kit	Alternative material
10	4130.209.027		WIRING HARNESS	1			KPL. IN 4130 209 014(1)	0,000		
/30	6009.301.057	091596	GASKET	1				0,000		
50	4130.309.101		CENTERING PIECE	1				0,000		
60	6009.301.057	091596	GASKET	1				0,000		
70	---		CAP SCREW	4			M3X22	0,000		
---	0636.102.379		CAP SCREW	4		Z00010719310	M3X22	0,000		
100	0636.100.622		HEXAGON BOLT	1		Z00009042710	M8X16	0,000		
110	0732.201.019		PIPE CLAMP	3				0,000		
160	---		INDTRANSMITTER	1			40N.M*SCHEIBE	0,000		
---	6041.315.010	1892500021	INDTRANSMITTER	1			M18X1,5	0,000		
---	---		WASHER	1			S= 0,20- 1,00( ABSTUFUNG:0,40MM)	0,000		
---	0730.100.208	42198812	WASHER	1			A=1,00 IN 0730.112.081( 4)	0,000		
---	0730.100.209	42198912	WASHER	1			A=0,30 IN 0730 112 081(4)	0,000		
---	0730.101.620	42199112	WASHER	1			A=0,20 IN 0730 112 081(4)	0,000		
200	6029.205.623	42200112	CABLE GENERAL	1			WSK400	0,000		
210	0632.311.228	5007352	CLAMP	1				0,000		
214	0636.102.247		HEXAGON BOLT	1		Z00009177710	M10X40	0,000		
220	---		SLOTTED NUT	1		C01004419D10	M32X1,5	0,000		
---	0637.504.020		SLOTTED NUT	1		Z00007345419	M32X1,5	0,000		
---	0666.690.003	00594532	JOINCOMPOUND	1		Z00007345419		0,090		
250	6029.012.008		CABLE WSK	1			ZVK 19POL WSK-RET	0,000		
260	0636.100.459		COUNTERSSCREW	4		Z00007739213	M4X10	0,000		
280	0659.050.410		CABLE TERMINAL	2				0,000		
300	---		PRESSURE SWITCH	1			SCHL*12N.M* DICHTRING	0,000		
---	0501.311.289	5 6124 0	PRESSURE SWITCH	1				0,000		
---	0634.801.015	VOE3104044	SEALING RING	1		C01002939C10	10X14	0,001		

# Parts list

Page 2 from 2

Material number: 4130.065.212

16 S 251 WSK /

Plant: 002.09.02-1

Material-assembly-group-no: 4130.109.059



Pos.	Material number	Customer material	Name	Quantity	ME	Amend. no.	Techn. Info.	Weight	Rep kit	Alternative material
310	---		THREADED BUSH	1			M16X1,5	0,000		
---	0731.590.016		THREADED BUSH	1			M16X1,5	0,000		
---	0634.801.281		SEALING RING	1		C01008578A10	16X20	0,002		

# Plant

Page 1 from 4

Material number: 4130.065.212

Plant: 002.34.06-1

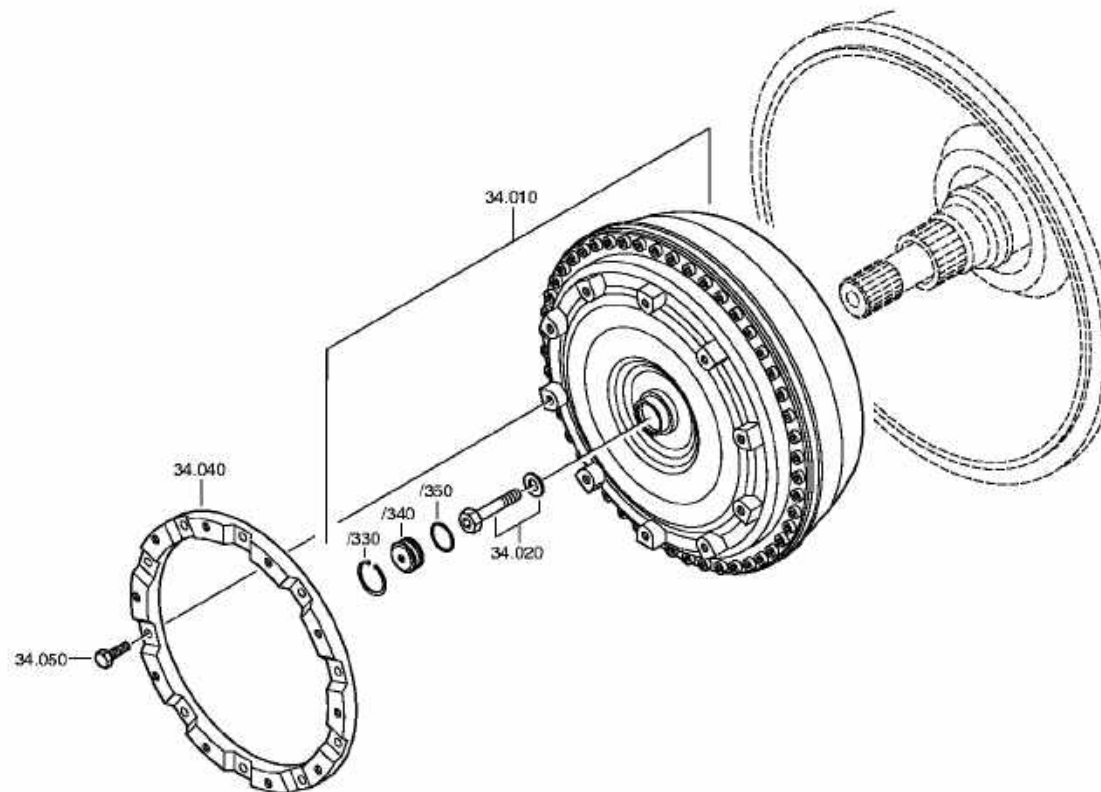
Material-assembly-group-no: 4130.134.043

16 S 251 WSK /

CONVERTER



Bildtafel:  
Figure: 002.34.06-1  
Figure:  
Figura:



# Plant

Page 2 from 4

Material number: 4130.065.212

Plant: 002.34.06-2

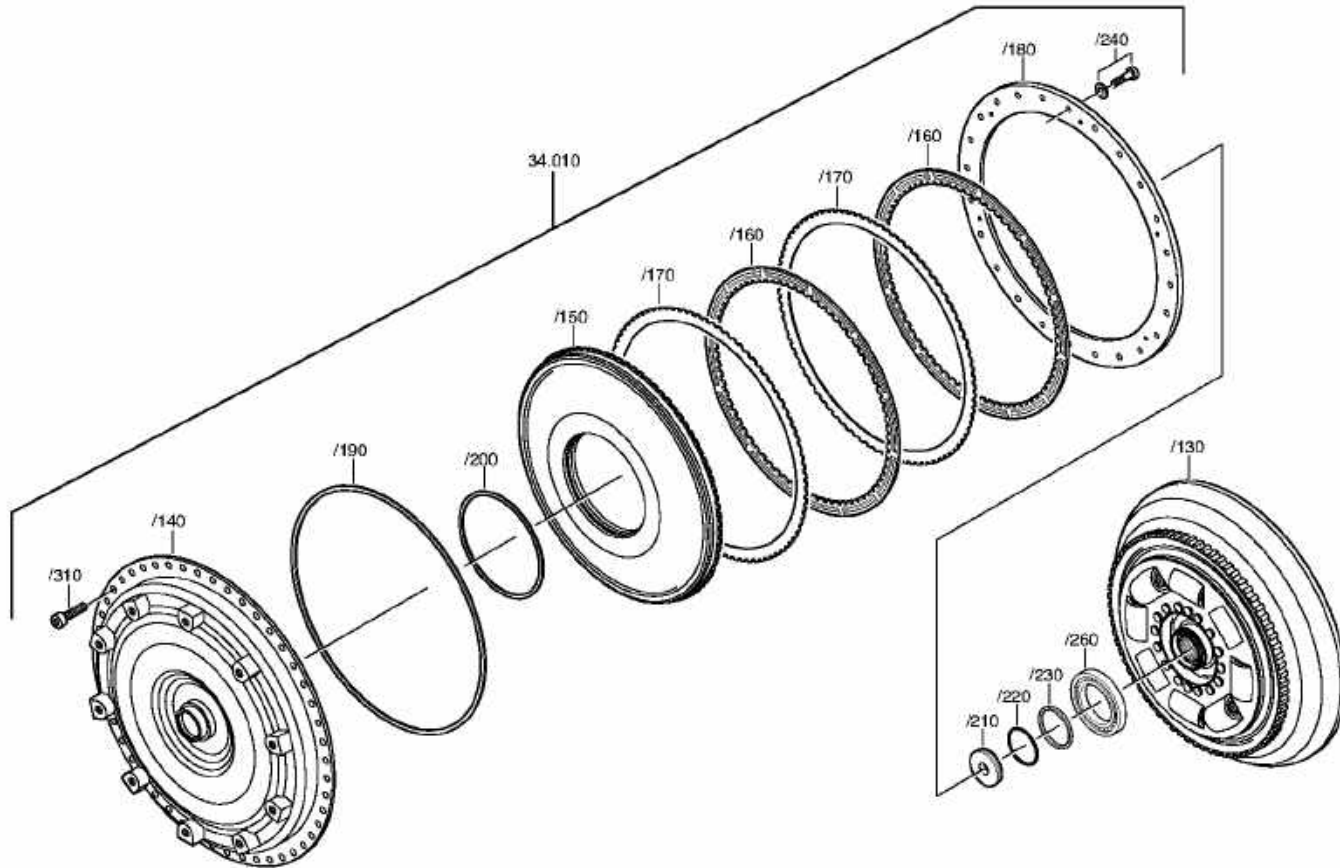
Material-assembly-group-no: 4130.134.043

16 S 251 WSK /

CONVERTER



Bildtafel:  
Figure: 002.34.06-2  
Figure:  
Figura:



# Plant

Page 3 from 4

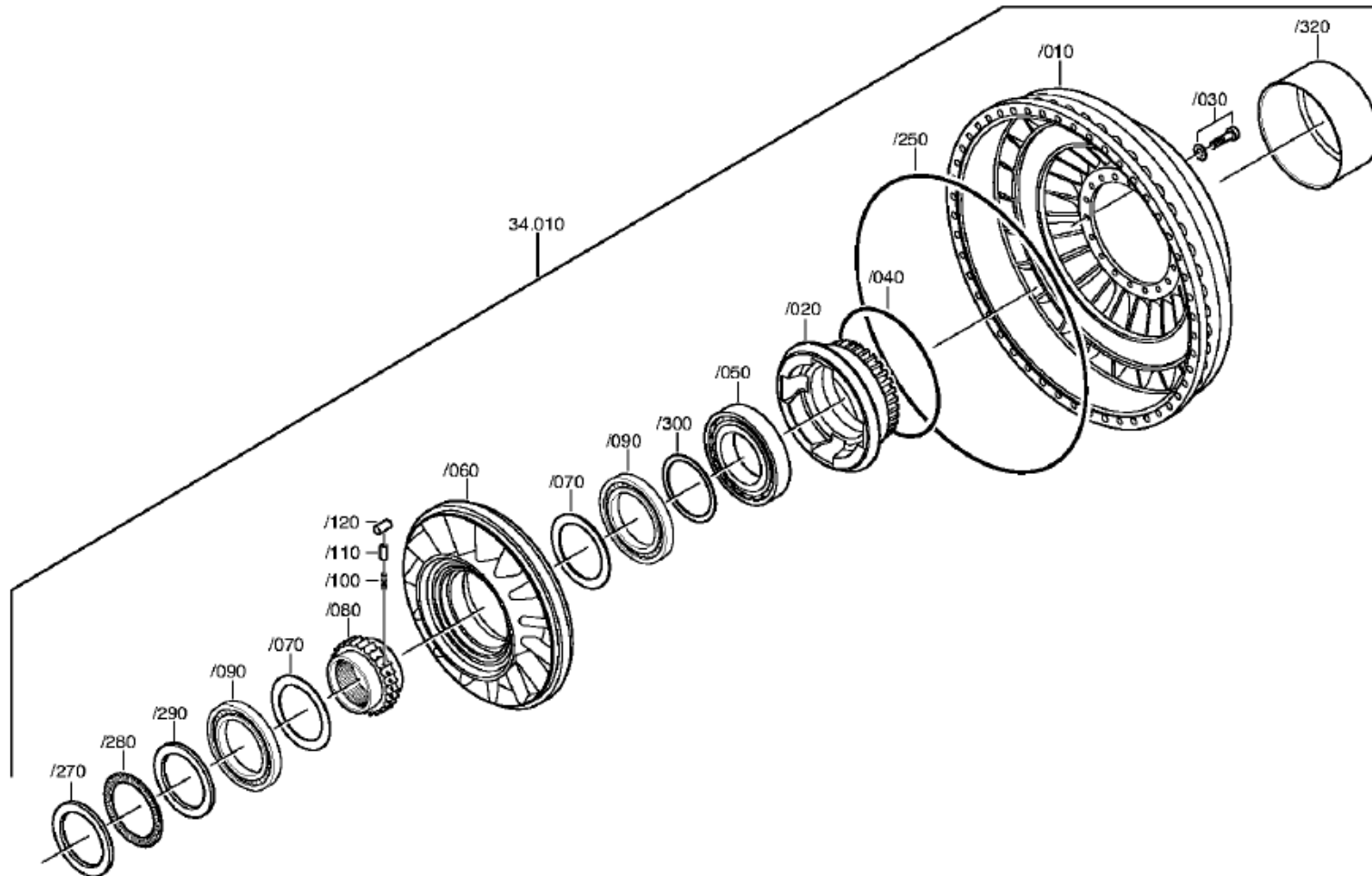
Material number: 4130.065.212

Plant: 002.34.06-3

Material-assembly-group-no: 4130.134.043

16 S 251 WSK /

CONVERTER





# Plant

Page 4 from 4

Material number: 4130.065.212

Plant: 002.34.06-3e

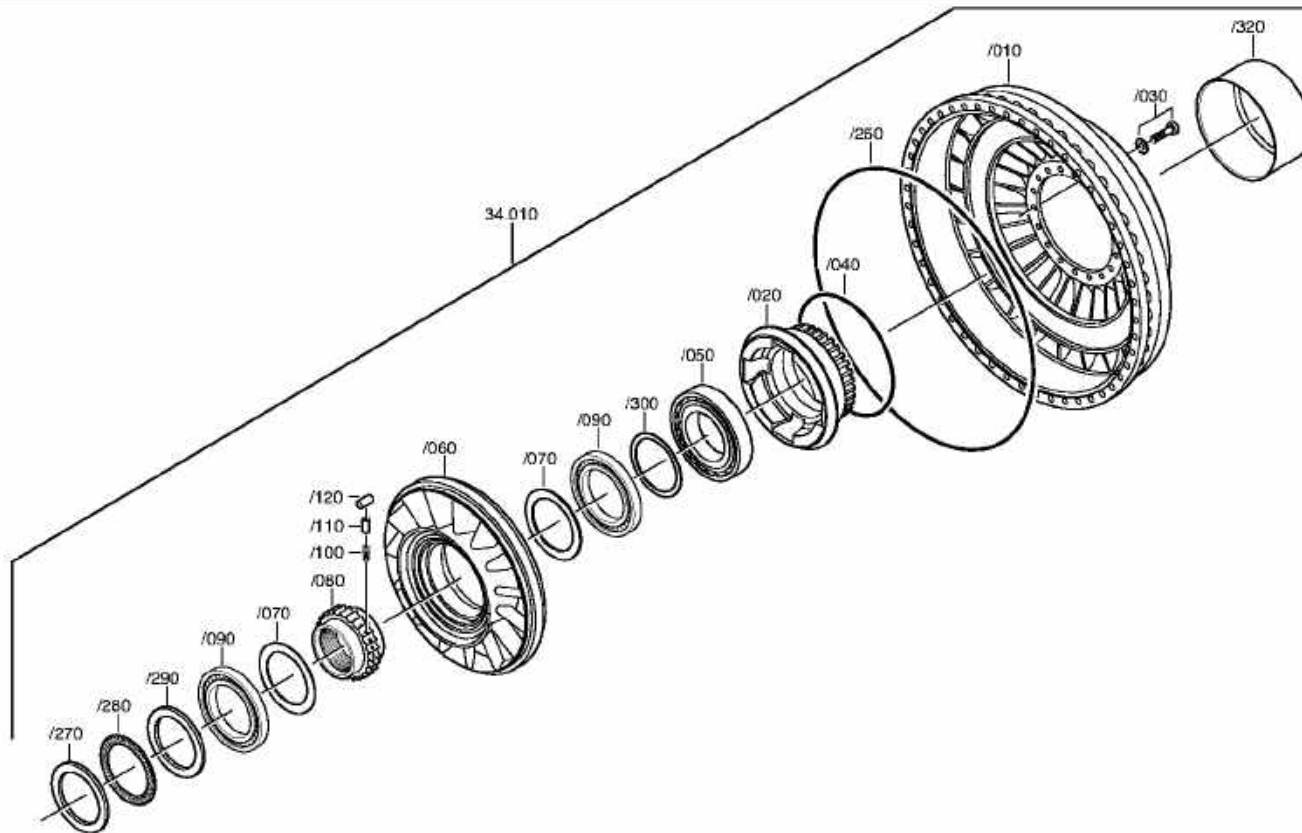
Material-assembly-group-no: 4130.134.043

16 S 251 WSK /

CONVERTER



Bildtafel:  
Figure: 002.34.06-3E  
Figure:  
Figura:



# Parts list

Page 1 from 5

Material number: 4130.065.212

16 S 251 WSK /

Plant: 002.34.06-1

Material-assembly-group-no: 4130.134.043



Pos.	Material number	Customer material	Name	Quantity	ME	Amend. no.	Techn. Info.	Weight	Rep kit	Alternative material
10	4166.044.006		CONVERTER	1		C01006897D10	W440*MP1005*MUE1, 587*C=81,60*LK380* 4166 705 785	0,000		
/10	0501.211.861		PUMP WHEEL	1			KPL.	0,000		
/30	---		CAP SCREW	1			M8X18	0,000		
---	0636.100.290		CAP SCREW	1		Z00007419213	M8X18	0,000		
---	0630.100.295		WASHER	1		Z00007158414		0,000		
/40	0634.313.980	9301955	O-RING	1			182X3	5		
/50	0735.340.130		ANGULAR CONTBEARING	1			80,0X140,0X26,0 FA.FAG	0,000		
/60	0501.318.048		STATOR	1				0,000		
/70	0501.318.023		WASHER	1			A=2,00	0,000		
/80	0001.302.051		FREE WHEEL RING	1			INNEN	0,000		
/90	0635.330.017		BALL BEARING	1			85X130X14	0,000		
/100	1414.313.028		SPRING	1				0,002		
/110	0501.318.051		SPRING CAP	1			WK	0,000		
/120	4066.302.590		CYLROLLER	1			WST	0,000		
/130	0501.211.862		TURBINE WHEEL	1			KPL.	0,000		
/140	0501.318.041		CONVERTER COVER	1				0,000		
/150	0501.321.811		PISTON	1			WK*GGG	0,000		
/160	0501.318.044		FRICTION PLATE	1				0,400		
/170	0501.318.043		OCLUTCH DISC	1				0,330		
/180	0501.318.046		PRESSURE RING	1				0,000		
/190	0501.318.038		PISTON RING	1			380X392X2,5	0,000		
/200	0501.318.035		PISTON RING	1			160X170X2,2	0,000		
/210	0501.318.034		WASHER	1			A=10,00	0,000		
/220	0634.313.136		O-RING	1			50X3	0,002		
/230	0634.402.500		R-RING	1			65X3	10		
/240	---		CAP SCREW	1			M8X35	0,000		
---	0636.101.192		CAP SCREW	1			M8X35	17,200		
---	0630.100.295		WASHER	1		Z00007158414		0,000		

# Parts list

Page 2 from 5

Material number: 4130.065.212

16 S 251 WSK /

Plant: 002.34.06-1

Material-assembly-group-no: 4130.134.043



Pos.	Material number	Customer material	Name	Quantity	ME	Amend. no.	Techn. Info.	Weight	Rep kit	Alternative material
/250	0634.314.139		O-RING	1			440X4	0,000		
/260	0635.330.049		BALL BEARING	1			65X100X11	285		
/270	0635.290.095		RUNNING DISK	1			85X110X5,75	0,160		
/280	0635.302.086		AXIAL NEEDLE CAGE	1			85X110X4	59		
/290	0635.290.095		RUNNING DISK	1			85X110X5,75	0,160		
/300	---		WASHER	1			S= 2,20- 3,00( ABSTUFUNG:0,10MM)	0,000		
---	0501.318.033		WASHER	1			A=3,00 IN 0501 318 024( )	0,000		
---	0501.318.032		WASHER	1			A=2,90 IN 0501 318 024( )	0,000		
---	0501.318.031		WASHER	1			A=2,80 IN 0501 318 024( )	0,000		
---	0501.318.030		WASHER	1			A=2,70 IN 0501 318 024( )	0,000		
---	0501.318.029		WASHER	1			A=2,60 IN 0501 318 024( )	0,000		
---	0501.318.028		WASHER	1			A=2,50 IN 0501 318 024( )	0,000		
---	0501.318.027		WASHER	1			A=2,40 IN 0501 318 024( )	0,000		
---	0501.318.026		WASHER	1			A=2,30 IN 0501 318 024( )	0,000		
---	0501.318.025		WASHER	1			A=2,20 IN 0501 318 024( )	0,000		
/310	---		CAP SCREW	1			M10X45	0,000		
/320	0501.318.039		PROTECTING CAP	1				0,000		
/330	0630.532.116		V-RING	1				0,007		
/340	0501.311.431	5340123252432	WASHER	1				0,000		
/350	0634.313.345	5331-12-178-9481	O-RING	1			32X3	0,000		
20	---		ANTI-FATIGBOLT	1			M20X50	0,000		
---	4130.203.031		ANTI-FATIGBOLT	1			KPL.	0,000		

# Parts list

Page 3 from 5

Material number: 4130.065.212

16 S 251 WSK /

Plant: 002.34.06-1

Material-assembly-group-no: 4130.134.043



Pos.	Material number	Customer material	Name	Quantity	ME	Amend. no.	Techn. Info.	Weight	Rep kit	Alternative material
---	---		WASHER	1			S= 0,70- 3,80( ABSTUFUNG:0,10MM)	0,000		
---	4130.303.088	5310121728109	WASHER	1			A=3,80 IN 4130 303 137(3)	0,000		
---	4130.303.087	5310121728110	WASHER	1			A=3,70 IN 4130 303 137(3)	0,000		
---	4130.303.086	5310121728111	WASHER	1			A=3,60 IN 4130 303 137(3)	0,000		
---	4130.303.085	5310121728112	WASHER	1			A=3,50 IN 4130 303 137(3)	0,000		
---	4130.303.084	5310121728113	WASHER	1			A=3,40 IN 4130 303 137(3)	0,000		
---	4130.303.083	5310121728114	WASHER	1			A=3,30 IN 4130 303 137(3)	0,000		
---	4130.303.082	5310121728115	WASHER	1			A=3,20 IN 4130 303 137(3)	0,000		
---	4130.303.081	5310121728116	WASHER	1			A=3,10 IN 4130 303 137(3)	0,000		
---	4130.303.080	5310121728117	WASHER	1			A=3,00 IN 4130 303 137(3)	0,000		
---	4130.303.079	5310121728118	WASHER	1			A=2,90 IN 4130 303 137(3)	0,000		
---	4130.303.053	5310121728119	WASHER	1			A=2,80	0,000		
---	4130.303.054	5310121728120	WASHER	1			A=2,70 IN 4130 303 137(3)	0,000		
---	4130.303.055	5310121728121	WASHER	1			A=2,60 IN 4130 303 137(3)	0,000		
---	4130.303.056	5310121728122	WASHER	1			A=2,50 IN 4130 303 137(3)	0,000		
---	4130.303.057	5310121728123	WASHER	1			A=2,40 IN 4130 303 137(3)	0,000		

# Parts list

Page 4 from 5

Material number: 4130.065.212

16 S 251 WSK /

Plant: 002.34.06-1

Material-assembly-group-no: 4130.134.043



Pos.	Material number	Customer material	Name	Quantity	ME	Amend. no.	Techn. Info.	Weight	Rep kit	Alternative material
---	4130.303.058	5310121728124	WASHER	1			A=2,30 IN 4130 303 137(3)	0,000		
---	4130.303.059	5310121728125	WASHER	1			A=2,20 IN 4130 303 137(3)	0,000		
---	4130.303.060	5310121728126	WASHER	1			A=2,10 IN 4130 303 137(3)	0,000		
---	4130.303.061	5310121728127	WASHER	1			A=2,00 IN 4130 303 137(3)	0,000		
---	4130.303.062	5310121728128	WASHER	1			A=1,90 IN 4130 303 137(3)	0,000		
---	4130.303.063	5310121728129	WASHER	1			A=1,80 IN 4130 303 137(3)	0,000		
---	4130.303.064	5310121728130	WASHER	1			A=1,70 IN 4130 303 137(3)	0,000		
---	4130.303.065	5310121706272	WASHER	1			A=1,60 IN 4130 303 137(3)	0,000		
---	4130.303.066	5310121706273	WASHER	1			A=1,50 IN 4130 303 137(3)	0,000		
---	4130.303.067	5310121706274	WASHER	1			A=1,40 IN 4130 303 137(3)	0,000		
---	4130.303.068	5310121706275	WASHER	1			A=1,30 IN 4130 303 137(3)	0,000		
---	4130.303.069	5310121706276	WASHER	1			A=1,20 IN 4130 303 137(3)	0,000		
---	4130.303.070	5310121706277	WASHER	1			A=1,10 IN 4130 303 137(3)	0,000		
---	4130.303.072	5310121706278	WASHER	1			A=1,00 IN 4130 303 137(3)	0,000		
---	4130.303.073	5310121706279	WASHER	1			A=0,90 IN 4130 303 137(3)	0,000		
---	4130.303.074	5310121706280	WASHER	1			A=0,80 IN 4130 303 137(3)	0,000		

## Parts list

Page 5 from 5

Material number: 4130.065.212

16 S 251 WSK /

Plant: 002.34.06-1

Material-assembly-group-no: 4130.134.043



Pos.	Material number	Customer material	Name	Quantity	ME	Amend. no.	Techn. Info.	Weight	Rep kit	Alternative material
---	4130.303.075	5310121706281	WASHER	1			A=0,70 IN 4130 303 137(3)	0,000		
40	4130.302.273		ADAPTER RING	1			380/402	0,000		
50	0636.100.454		HEXAGON BOLT	10		Z00007354214	M12X1,5X30	0,000		

# Plant

Page 1 from 1

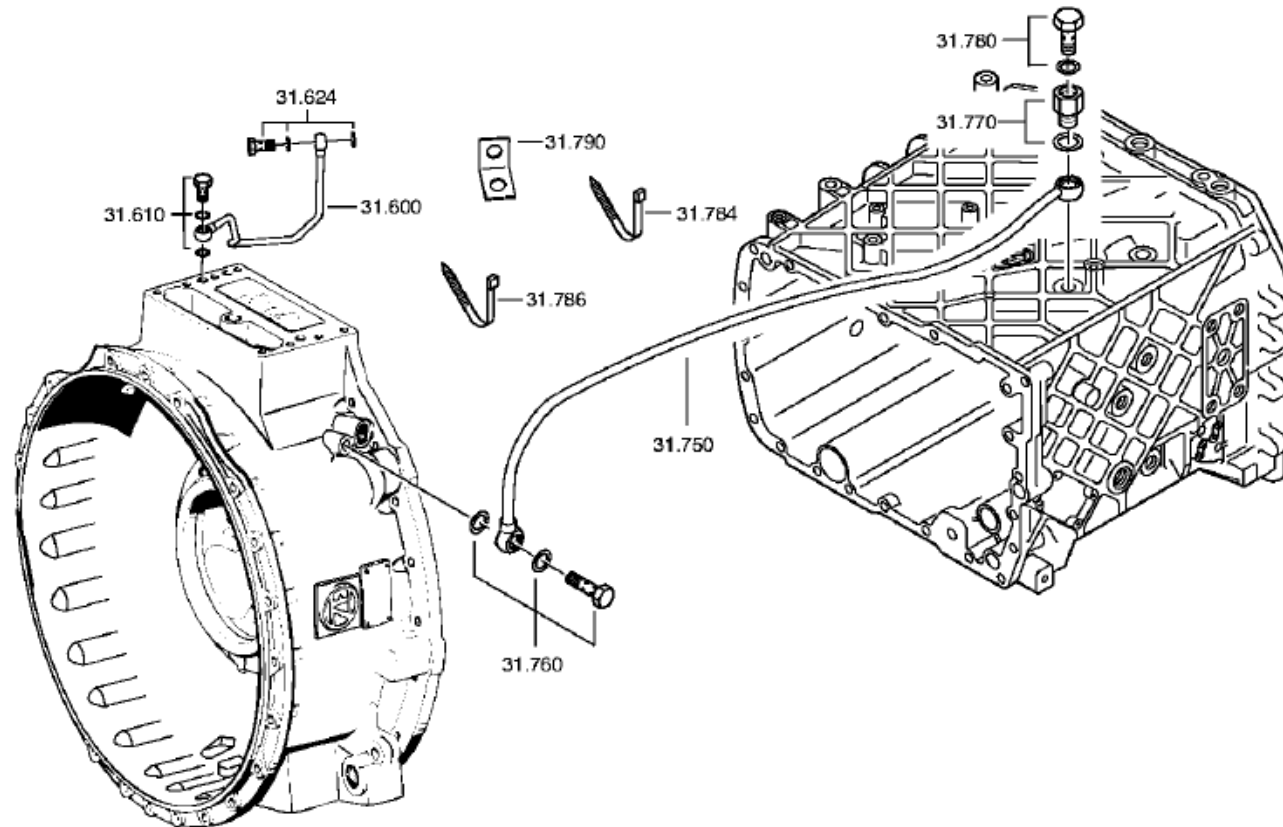
Material number: 4130.065.212

Plant: 002.91.01-1

Material-assembly-group-no: 4130.131.002

16 S 251 WSK /

VENTILATION



# Parts list

Page 1 from 1

Material number: 4130.065.212

16 S 251 WSK /

Plant: 002.91.01-1

Material-assembly-group-no: 4130.131.002



Pos.	Material number	Customer material	Name	Quantity	ME	Amend. no.	Techn. Info.	Weight	Rep kit	Alternative material
750	4130.231.001		PIPE	1			KPL.	0,000		
/110	0637.100.741		RING PIECE	1		Z00014327810		0,000		
/120	0632.707.002		PIPE	845		Z00006986122	8X1	0,000		
/130	0637.100.741		RING PIECE	1		Z00014327810		0,000		
760	---		UNION SCREW	1		Z00010302610		0,000		
---	0637.100.519		UNION SCREW	1		Z00010302612		0,000		
---	0730.008.055		SEALING RING	1		Z00010302612	A10X14	0,000		
770	---		SPACER BUSH	1			M103*5N.M* DICHTRING M18X1,5	0,000		
---	0731.300.040		SPACER BUSH	1		Z00009162410		0,000		
---	0634.801.062		SEALING RING	1			18X24	0,001		
780	---		UNION SCREW	1		Z00010302610		0,000		
---	0637.100.519		UNION SCREW	1		Z00010302612		0,000		
---	0730.008.055		SEALING RING	1		Z00010302612	A10X14	0,000		
784	0659.160.031		CABLE CLIP	1			7,6X338	0,000		
786	0659.160.031		CABLE CLIP	1			7,6X338	0,000		