



# Spare Parts Catalog

16 S 2230 TD

Material number: 1356.001.040

Current date: 19.08.2014

ZF Friedrichshafen AG  
Hauptverwaltung  
80038 Friedrichshafen  
Deutschland

Telefon: +49 7541 77-0

Telefax: +49 7541 77-908000

[www.zf.com](http://www.zf.com)

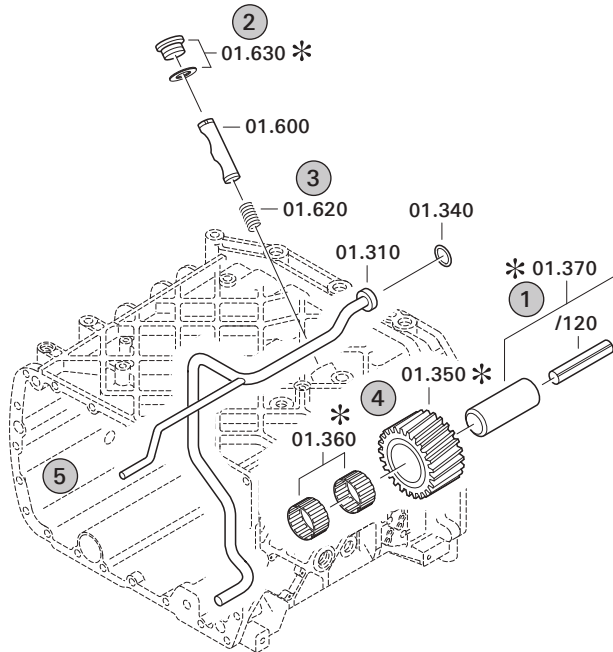
zuständiges Werk:  
Friedrichshafen

# Notes relating to the spare parts catalog

## Setup of the spare parts catalog

- Cover sheet
- Technical Cover (only in SDM print)
- Overview of figures
- Figure
- Associated parts list
- Next figure
- Associated parts list
- ...

## Figure and parts list



## Overview of figures

Bildtafel Figure	Sachnummer Product number	Benennung (Description)	Technische Info Technical info	Description (Benennung)	Menge Quantity	Einheit Unit
068.08.17	1316.170.001	AUSLEGER	WL	SHIFT TURRET	1	Stk
068.08.06	1316.170.031	DECKEL	WL*H-H *VM	COVER	1	Stk
068.08.14	1316.170.808	DECKEL	WL*AUSL+GEH*H-H*HF160N	COVER	1	Stk
08	1316.170.441	ANSCHLUSSTEILE	WL*NG-VORB*RG-SCHL*168N *BAJONETT	CONNECTING PARTS	1	Stk

The "gap" indicates that there is no separate graphics panel (poster) for this assembly  
The parts of this assembly are shown with the same mid-section number on the figure

### 1 Positions and subpositions

Pos.	Sachnummer Product number	Benennung (Description)	Technische Info Technical info	Description (Benennung)	Menge Quantity	Einheit Unit
0370	1315.201.054	RUECKLAUFBOLZEN	KPL.16S151*SG*L= 79	REV.IDLER SHAFT	1	Stk
/0120	0631.329.293	SPANNSTIFT		SLOT. PIN	1	Stk

Positions marked with "/" are the individual items of a completion  
For example: Position 0370 contains a centering pin with the position /0120

### 2 Combinations with standardized parts

Pos.	Sachnummer Product number	Benennung (Description)	Technische Info Technical info	Description (Benennung)	Menge Quantity	Einheit Unit
0630		VERSCHL.SCHR.		SCREW PLUG	1	Stk
	0636.302.067	VERSCHL.SCHR.		SCREW PLUG	1	Stk
	0634.801.249	DICHTRING	A 26 X 31	SEALING RING	1	Stk

The parts list shows the components included in the combination of standardized parts

### 3 Depiction of position/item number on the figure and in the parts list

01.620 - on the figure      01 relates to the assembly in which the position is included. Due to program-related reasons, it is shown on the figure.

0620 - in the parts list

Pos.	Sachnummer Product number	Benennung (Description)	Technische Info Technical info	Description (Benennung)	Menge Quantity	Einheit Unit
0620	0732.040.736	DRUCKFEDER		COMPRESSION SPRING	1	Stk

### 4 \*-Positions

Positions marked with an \* are optional i.e. inclusion in the parts list is not mandatory.  
The following note is shown on the figure

je nach Stücklistenausführung  
depending on spec. number  
\*  
suivant la nomenclature  
secondo la distinta base

### 5 Parts, dotted display

Parts with dotted display on the figure are only used for orientation of other parts

# Technical Cover

Page 1 from 5



Material number: 1356.001.040

16 S 2230 TD /

Pos.	Information	Amendment number
001	Use case -----	
002	Customer Renault Vehicules Industriels	
003	City Saint Priest Cedex	
004	DUNS 27-813-6346	
005	Vehicle / Apparatus -----	
006	Sales Name PREMIUM	
007	Manufacturer Renault Vehicules Industriels	
008	Engineering Name	
009	Product Use TRUCK	
010	Vehicle/Hardware Type ROAD TRACTOR	
011	SOP	
012	Engine	
013	Sales Designation	
014	Manufacturer AB Volvo	
015	Eng.Displ.	
016	Cylinder	
017	Nom. power 338 kW	
018	RPM at nom. power 1900 1/min	
019	Nom. torque 2200 Nm	
020	RPM at nom. torque 950 1/min	
021	Classification use case -----	
022	DESIGNATION, CLUTCH 430DTE	
023	MANUFACTURER, CLUTCH VALEO	
024	TOTAL NUMBER OF WHEELS 6	
025	NUMBER OF DRIVING WHEELS 4	
026	DYNAMIC TYRE RADIUS 491 mm	
027	REAR AXLE RATIO 3.21	
030	PERMISS.GROSS VEHICLE WEIGHT 19 t	
031	PERMISS.GROSS COMBIN.WEIGHT 60 t	
032	Use case -----	
033	Customer Renault Vehicules Industriels	
034	City Saint Priest Cedex	
035	DUNS 27-813-6346	

# Technical Cover

Page 2 from 5



Material number: 1356.001.040

16 S 2230 TD /

Pos.	Information	Amendment number
036	Vehicle / Apparatus -----	
037	Sales Name PREMIUM LANDER	
038	Manufacturer Renault Vehicules Industriels	
039	Engineering Name	
040	Product Use TRUCK	
041	Vehicle/Hardware Type ROAD TRACTOR	
042	SOP	
043	Engine	
044	Sales Designation	
045	Manufacturer AB Volvo	
046	Eng.Displ.	
047	Cylinder	
048	Nom. power 338 kW	
049	RPM at nom. power 1900 1/min	
050	Nom. torque 2200 Nm	
051	RPM at nom. torque 950 1/min	
052	Classification use case -----	
053	DESIGNATION, CLUTCH 430DTE	
054	MANUFACTURER, CLUTCH VALEO	
055	TOTAL NUMBER OF WHEELS 6	
056	NUMBER OF DRIVING WHEELS 4	
057	DYNAMIC TYRE RADIUS 491 mm	
058	REAR AXLE RATIO 3.21	
061	PERMISS.GROSS VEHICLE WEIGHT 19 t	
062	PERMISS.GROSS COMBIN.WEIGHT 60 t	
063	Product description -----	
064	INSTALLATION POS TRANSMISSION HORIZONTAL LEFT	
065	TRANSMISSION ATTACHMENT FLANGE-MOUNTED	
071	NUMBER OF GEARS 16	
072	RATIO, BOTTOM GEAR 16.41	
073	RATIO, TOP GEAR 1	
074	SET OF RATIOS DG	
075	NOTE ON TYPE OF GEAR SHIFT SYS TURNING SHAFT	



Pos.	Information	Amendment number
076	POSITION, GEAR SHIFT SYSTEM HORIZONTAL LEFT	
077	DESIGN, SHIFT PATTERN UEH	
078	VERSION SHIFT SUPPORT GATE DEPENDENT SERVO	
079	VERSION ACTUATION SHIFT SYSTEM CONTROL CABLE	
080	DESIGN, SHIFT SYSTEM E13MP	
081	DESIGN PSE PSE6	
082	DESIGN PSE WITH VALVE	
083	DESIGN, VALVE BLOCK OHNE LUFTVERTEILER	
087	DESIGN 1TH GEAR/REVERSE GEAR FORK	
088	DESIGN AIR SHUT-OFF GV-VALVE	
089	DIA.THROTTLE VALVE AIR SUPPLY 1.3 mm	
090	SELECTION PATTERN VARIANT GEAR SHIFT PATTERN 1	
091	VERSION OF SYNCHRONIZER 1 1+2 GANG BK-SYNCHR.CARBON	
092	VERSION OF SYNCHRONIZER 2 3+4 GANG BK-SYNCHR.CARBON	
093	REFERENCE LENGTH INPUT SHAFT 109 mm	
094	STANDARD TYPE INPUT SHAFT SAE	
095	NUMBER OF WEDGES INPUT SHAFT 10	
096	VERSION OF INPUT SHAFT FORM C	
097	NOMINAL DIAMETER INPUT SHAFT 2 in	
098	DIAMETER, JOURNAL, INPUT SHAFT 30 mm	
099	TYPE FIT SPIGOTS INPUT SHAFT F7	
100	VER. BEAR. SPIGOTS INPUT SHAFT TAPER ROLLER	
103	DESIGN,CONN., CLUTCH HOUSING SAE 1	
104	CENTR.DIA,HSG/ENGINE CONNECT. 511.175 mm	
105	NUMBER OF BORES,ENGINE CONN. 12	
106	BORE DIA, ENGINE CONNECTION 13 mm	
111	REF.LENGTH,RELEASE BEAR.FLAN -24.2 mm	
112	DIAMETER, RELEASE FLANGE 62.62 mm	
113	DESIGN RELEASE CYLINDER WITHOUT GROOVE	
114	OUTER DIA. OUTPUT FLANGE RA 180 mm	
115	NO.OF BORES OUTPUT FLANGE HA1 4	
117	BORE DIA. OUTPUT FLANGE RA 15 mm	
121	CORROS.PROTECTION, OUTP.FLANGE COATED	



Pos.	Information	Amendment number
122	DIMENSION SHIFT TURRET DIST. 300 mm	
123	MEAS. LOC. SHIFT TURRET DIST. SHIFT LEVER-LOCATION	
124	SELECTOR LEVER y	
125	RADIUS SELECTOR LEVER 68 mm	
126	SELECTOR LEVER POSITION B	
127	DESIGN OFFSET SELECTOR LEVER OUTSIDE	
128	LENGTH OFFSET SELECTOR LEVER 27 mm	
129	SHIFT LEVER y	
130	RADIUS 1 SHIFT LEVER 70 mm	
133	SHIFT LEVER CONNECTION HEXAGON	
134	DESIGN, OFFSET, SHIFT LEVER INSIDE	
136	LEVER POSITION SHIFTING OUTPUT A	
140	SPRING ARRANGEMENT Q4	
141	SPRING FORCE DETENT PLUNGER RG 160 N	
144	SELECTOR SPRING FORCE, OUTSIDE 17 N	
152	SWITCH, REVERSE GEAR y	
153	DESIGN, RG (REV.GEAR) SWITCH CLOSING	
154	DESIGN, CONNECTION, RG SWITCH DIN BAYONET	
155	CODE SWITCH RG A2	
156	PROT.CAP SWITCH, REVERSE GEAR y	
157	SWITCH, NEUTRAL GEAR y	
158	DESIGN,NG(NEUTRAL GEAR)SWITCH OPENING SWITCH	
159	DESIGN, CONNECTION, NG SWITCH DIN BAYONET	
160	CODE SWITCH NG A1	
161	PROT.CAP SWITCH, NEUTRAL GEAR y	
162	PRESSURE SWITCH y	
163	DESIGN PRESSURE SWITCH CLOSING	
164	DESIGN CONN. PRESSURE SWITCH DIN BAYONET	
165	CODE PRESSURE SWITCH A3	
166	PROTECTING CAP PRESS.SWITCH y	
167	RG-GATE-IDENTIFICATION SWITCH n	
172	SWITCH RG-ENGAGED n	
177	SWITCH GP n	

# Technical Cover

Page 5 from 5

Material number: 1356.001.040



16 S 2230 TD /

Pos.	Information	Amendment number
187	SWITCH GV n	
192	SWITCH HG n	
197	SWITCH 1 GEAR n	
202	ATTACHM.POS.HEAT EXCHANGER IN FRONT RIGHT	
203	DES.CONN.HEAT EXCHANGER PREPARED	
204	VER. TRANSMISSION VENTILATION PLUG CONNECTION 90 DEGREE	
205	LENGTH, VENT TUBE 2200 mm	
206	POS.TRANSMISSION VENTILATION IN FRONT	
211	PULSE SENSOR TRANSMISSION WITH	
212	PULSE RATE PULSE SENS GEARBOX 6 IMP/U	
213	PROT.CAP PULSE SENSOR GEARBOX y	
214	DES.CONN.PULSE SENSOR GEARBOX DIN BAYONET	
215	DESIGN PULSE SENSOR GEARBOX KITAS II	
221	OIL CAPACITY, GEARBOX 15.5 dm <sup>3</sup>	
223	OIL GRADE PERMISSIBLE ACC. TO TE-ML01	
224	OIL CLASS FIRST FILLING E	
225	CODING OUTER CONSERVATION KA1	
227	CODING INNER CONSERVATION KI1	
228	CONSERVATION SPECIFICATION ZFN 916	
229	COLOR JET BLACK	
230	COLOUR CLASSIFICATION ACC. TO RAL 9005	
231	PAINTING, ZF STANDARD 915 W	
240	Alias ID -----	
241	Renault Vehicules Industriels 7421466208	

# Assembly group overview

Page 1 from 2



Material number: 1356.001.040

16 S 2230 TD /

Graphics	Pos.	Material number	Name	Quantity	Amend. no.	Techn. Info.
161.01.03-1	110	1356.101.001	TRANSMISSION HOUSING	1		
161.01.81-1	180	1325.101.808	CLUTCH HOUSING	1		
161.02.03-1	10	1356.102.005	INPUT SHAFT	1		
161.02.80-1	240	1325.102.802	CONNECTION PLATE	1		
161.02.01-1	910	1325.102.014	CONNECTION PLATE	1		
161.03.02-1	20	1356.103.003	COUNTERSHAFT	1		
161.04.13-1	KIT	1316.298.037	SYNCHRONIZER SET	1		
161.04.13-1	30	1356.104.006	MAIN SHAFT	1		
161.05.01-1	130	1325.105.001	RETURN	1		
161.06.04-1	40	1356.106.001	TRANSMISSION SHIFT SYSTEM	1		
161.06.02-1	44	1325.106.803	TRANSMISSION SHIFT SYSTEM	1		
068.07.92-1	460	1341.108.804	GEAR SHIFT HOUSING	1		
068.07.48-1	910	1341.108.010	GEAR SHIFT HOUSING	1		
068.07.47-1	914	1341.108.409	GEARSHIFT SHAFT	1		
068.07.82-1	924	1341.108.004	DETENT	1		
062.08.30-1	954	1316.171.403	END COVER	1		
068.08.02-1	960	1316.171.437	PNEUMATIC SERVO UNIT	1		
161.09.02-1	934	1325.109.001	VALVE BLOCK	1		
161.09.03-1	940	1325.109.401	SWITCH	1		
161.10.04-1	200	1356.110.002	OIL SUPPLY	1		
161.10.01-1	920	1325.110.005	PUMP	1		
068.10.03-1	932	1341.111.001	SELECTOR LEVER	1		
068.10.04-1	466	1341.111.800	SELECTOR LEVER	1		
068.12.25-1	920	1341.149.006	SET OF SPRINGS	1		
161.28.01-1	370	1325.128.806	PLANETARY RANGE	1		
161.40.01-1	50	1356.112.001	GV-SHIFT SYSTEM	1		
161.40.80-1	340	1325.112.811	GV-SHIFT SYSTEM	1		
161.43.01-1	40	1325.131.009	RC HOUSING	1		
161.43.40-1	50	1325.131.400	CLOSING COMPONENTS	1		
161.44.01-1	10	1325.132.003	PLANETARY DRIVE	1		
161.44.40-1	60	1325.132.405	OUTPUT FLANGE	1		
161.45.01-1	20	1325.133.004	SYNCHRONIZER	1		



# Assembly group overview

Page 2 from 2



Material number: 1356.001.040

16 S 2230 TD /

Graphics	Pos.	Material number	Name	Quantity	Amend. no.	Techn. Info.
161.46.01-1	30	1325.134.006	GP SHIFT SYSTEM	1		
161.46.42-1	400	1325.134.403	SWITCH	1		
161.57.01-1	510	1325.145.003	RANGE SELECTION	1		
161.70.08-1	480	1356.170.011	SHUT-OFF VALVE	1		
161.90.08	320	1325.147.009	SCREW PLUG	1		
161.93.17-1	262	1315.301.230	PROTECTION CAP	1		

# Plant

Page 1 from 2

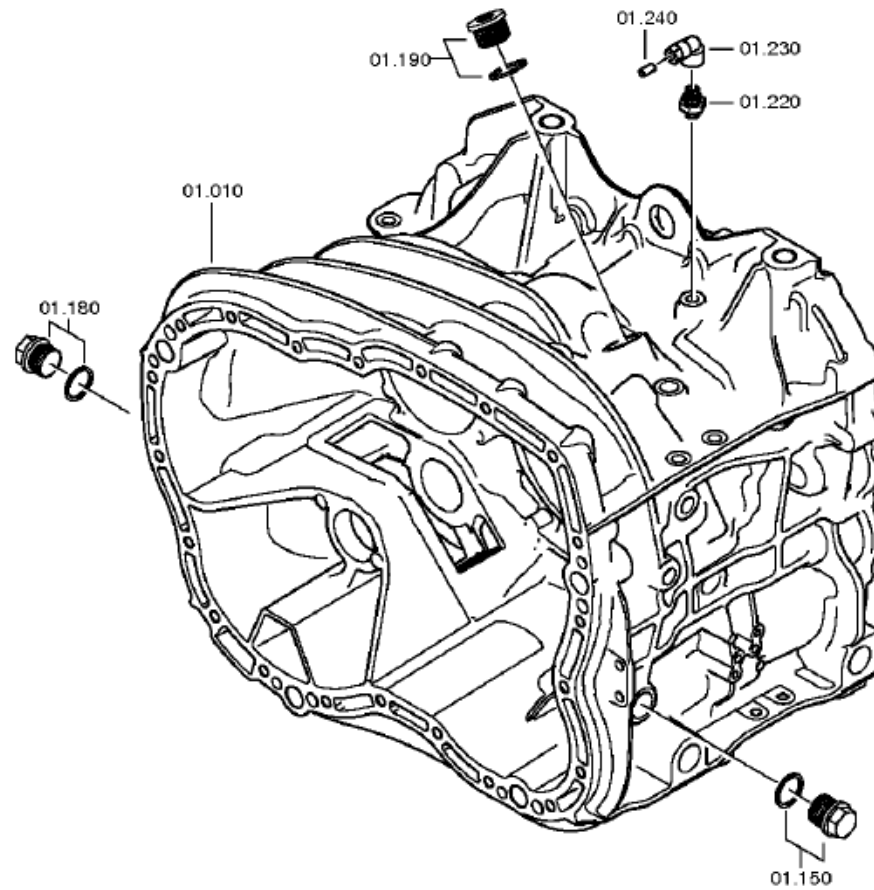
Material number: 1356.001.040

Plant: 161.01.03-1

TRANSMISSION HOUSING



16 S 2230 TD /  
TRANSMISSION HOUSING



# Plant

Page 2 from 2

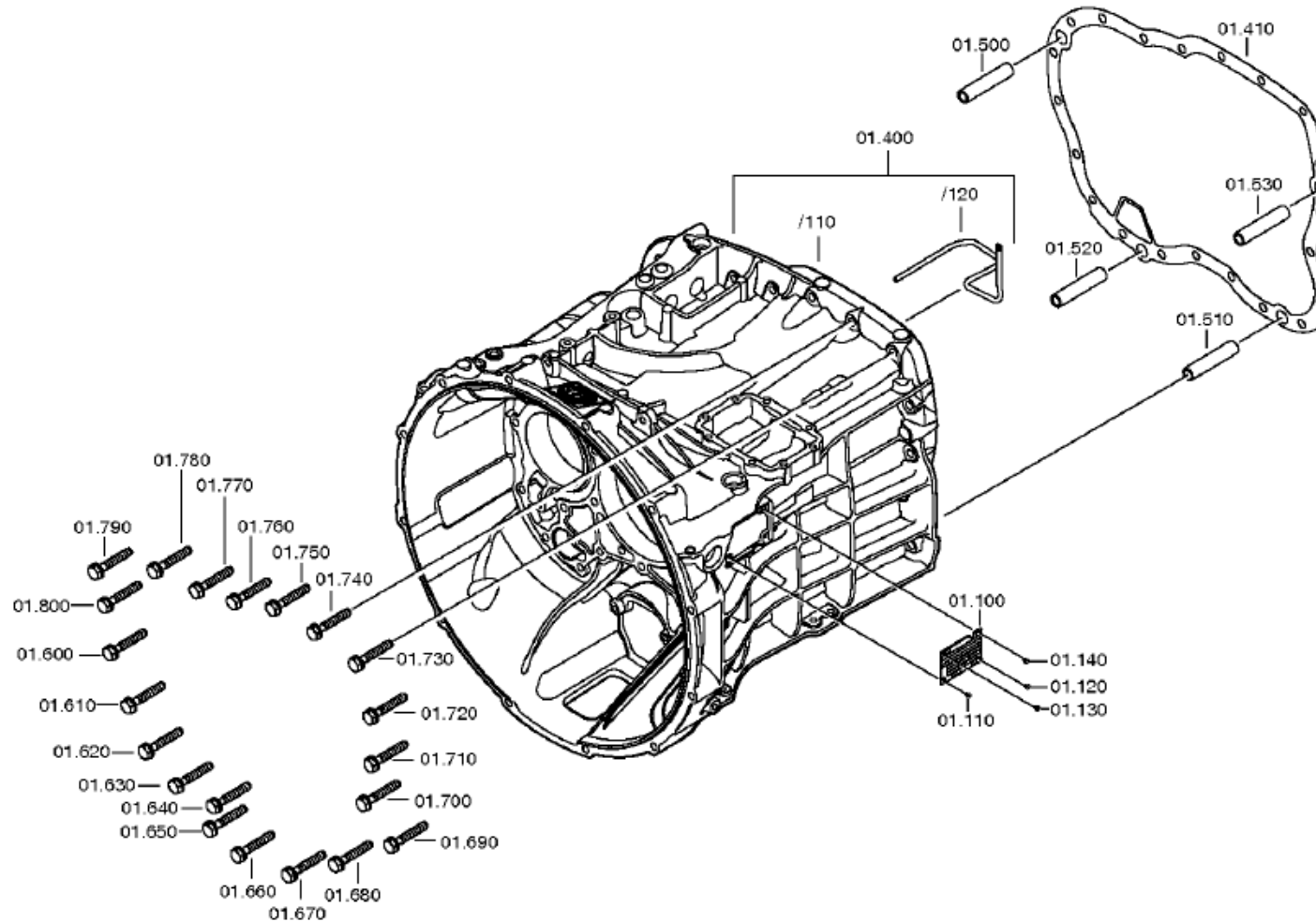
Material number: 1356.001.040

Plant: 161.01.81-1

TRANSMISSION HOUSING



16 S 2230 TD /  
TRANSMISSION HOUSING



# Parts list

Page 1 from 2



16 S 2230 TD /

Material number: 1356.001.040

Plant: 161.01.03-1

Material-assembly-group-no: 1356.101.001

Pos.	Material number	Customer material	Name	Quantity	ME	Amend. no.	Techn. Info.	Rep kit	Alternative material
10	1325.201.034		TRANSMISSION HOUSING	1		Z00008470910	KPL.BEARBEITET		
100	---		TYPE PLATE	1			KONZERN		
---	0730.365.241		TYPE PLATE	1			EINHEITSSCH. VERDREHSICHER		
---	0730.365.259		TYPE PLATE	1			EINHEITSSCH.VERDREHSICHER BRASILIEN		
---	0730.365.267		TYPE PLATE	1			CHINA		
---	0730.300.258		TYPE PLATE	1			EINHEITSSCH.VERDREHSICHER		
---	0730.365.271		TYPE PLATE	1			RUSSLAND/ KYRILLISCH		
---	0730.365.257		TYPE PLATE	1			S.S.CH IRAN		
---	0730.365.800		TYPE PLATE	1		Z00015972510			
110	0731.300.027		BLIND RIVET	1		Z00007904810			
120	0731.300.027		BLIND RIVET	1		Z00007904810			
130	0731.300.027		BLIND RIVET	1		Z00007904810			
140	0731.300.027		BLIND RIVET	1		Z00007904810			
150	---		SCREW PLUG	1		Z00010112111	60N.M*DICHTRING M24X1,5		
---	0636.304.088	1882905	SCREW PLUG	1		Z00010112110	M24X1,5		
---	0730.008.637	1428103	SEALING RING	1		Z00010112110	24X29		
180	---		SCREW PLUG	1		Z00010112111	60N.M*DICHTRING M24X1,5		
---	0636.304.088	1882905	SCREW PLUG	1		Z00010112110	M24X1,5		
---	0730.008.637	1428103	SEALING RING	1		Z00010112110	24X29		
190	---		SCREW PLUG	1		Z00010164412	70N.M*DICHTRING M26X1,5		
---	0636.100.811		SCREW PLUG	1		Z00010164420	M26X1,5		
---	0634.801.249		SEALING RING	1		Z00010164420	26X31		
220	0501.315.794	1780816	CANNON SOCKET	1		Z00006366310	M10X1		
230	0501.315.796	1780817	ANGLE PIECE	1					
/10	0501.315.952		SOCKET UNION	1					
240	1315.201.214		TUBE	1			L=2200MM		
400	1325.201.024		CLUTCH HOUSING	1			SAE D=13*SCHUTZBL.D=9* UNBEARB.SENSOR/GV/M8/ABSTZG/ LEITG		
410	0501.322.776		GASKET	1					
500	0731.201.563	1290941	CYLINDRICAL PIN	1					
510	0731.201.563	1290941	CYLINDRICAL PIN	1					
520	0731.201.563	1290941	CYLINDRICAL PIN	1					

# Parts list

Page 2 from 2



16 S 2230 TD /

Material number: 1356.001.040

Plant: 161.01.03-1

Material-assembly-group-no: 1356.101.001

Pos.	Material number	Customer material	Name	Quantity	ME	Amend. no.	Techn. Info.	Rep kit	Alternative material
530	0731.201.563	1290941	CYLINDRICAL PIN	1					
600	0636.016.405		HEXAGON SCREW	1		Z00007060111	M10X60		
610	0636.016.405		HEXAGON SCREW	1		Z00007060111	M10X60		
620	0636.016.405		HEXAGON SCREW	1		Z00007060111	M10X60		
630	0636.016.405		HEXAGON SCREW	1		Z00007060111	M10X60		
640	0636.016.405		HEXAGON SCREW	1		Z00007060111	M10X60		
650	0636.016.405		HEXAGON SCREW	1		Z00007060111	M10X60		
660	0636.016.405		HEXAGON SCREW	1		Z00007060111	M10X60		
670	0636.016.405		HEXAGON SCREW	1		Z00007060111	M10X60		
680	0636.016.405		HEXAGON SCREW	1		Z00007060111	M10X60		
690	0636.016.405		HEXAGON SCREW	1		Z00007060111	M10X60		
700	0636.016.405		HEXAGON SCREW	1		Z00007060111	M10X60		
710	0636.016.405		HEXAGON SCREW	1		Z00007060111	M10X60		
720	0636.016.405		HEXAGON SCREW	1		Z00007060111	M10X60		
730	0636.016.405		HEXAGON SCREW	1		Z00007060111	M10X60		
740	0636.016.405		HEXAGON SCREW	1		Z00007060111	M10X60		
750	0636.016.405		HEXAGON SCREW	1		Z00007060111	M10X60		
760	0636.016.405		HEXAGON SCREW	1		Z00007060111	M10X60		
770	0636.016.405		HEXAGON SCREW	1		Z00007060111	M10X60		
780	0636.016.405		HEXAGON SCREW	1		Z00007060111	M10X60		
790	0636.016.405		HEXAGON SCREW	1		Z00007060111	M10X60		
800	0636.016.405		HEXAGON SCREW	1		Z00007060111	M10X60		

# Plant

Page 1 from 3

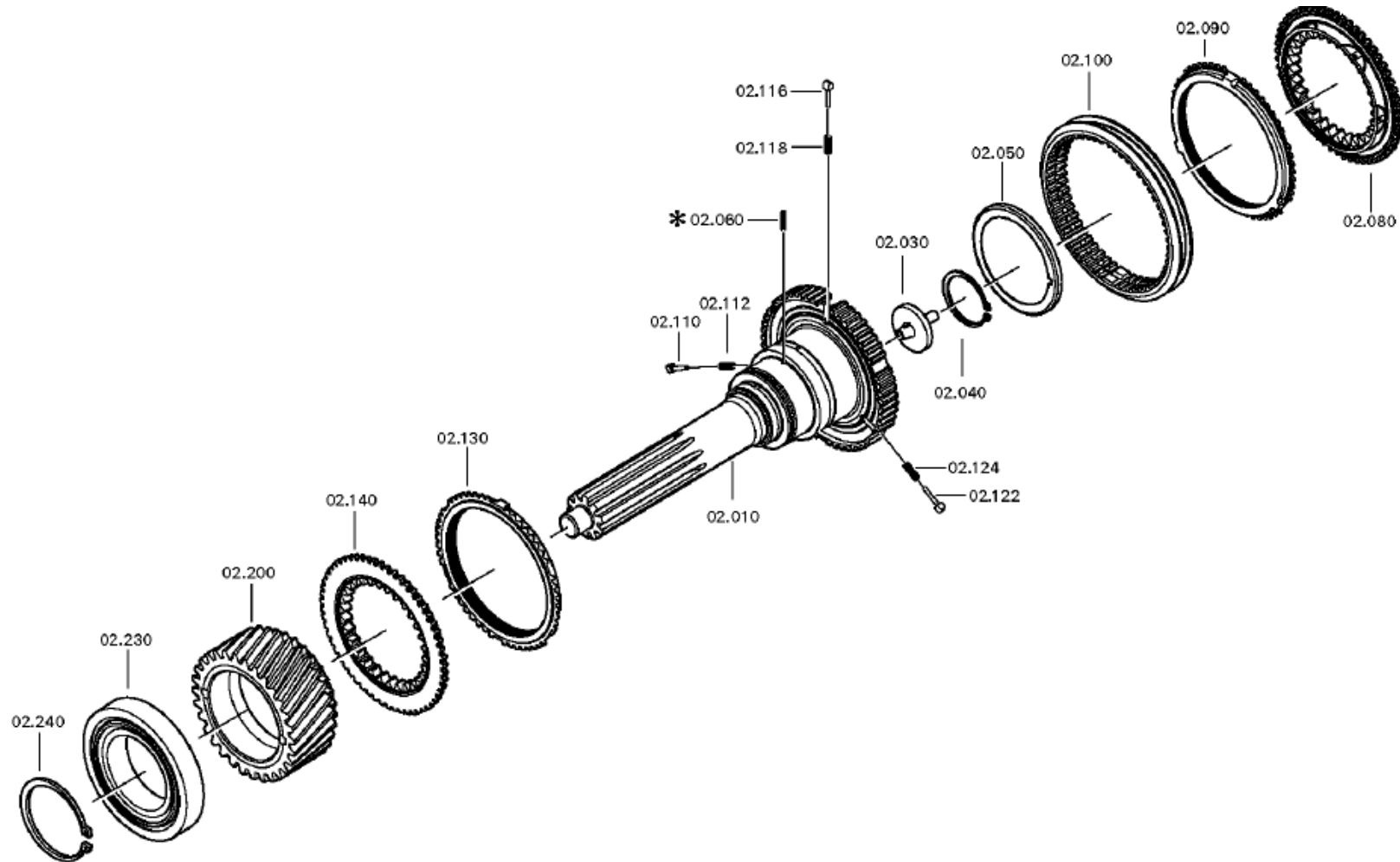
Material number: 1356.001.040

Plant: 161.02.03-1

INPUT SHAFT



16 S 2230 TD /  
INPUT SHAFT



# Plant

Page 2 from 3

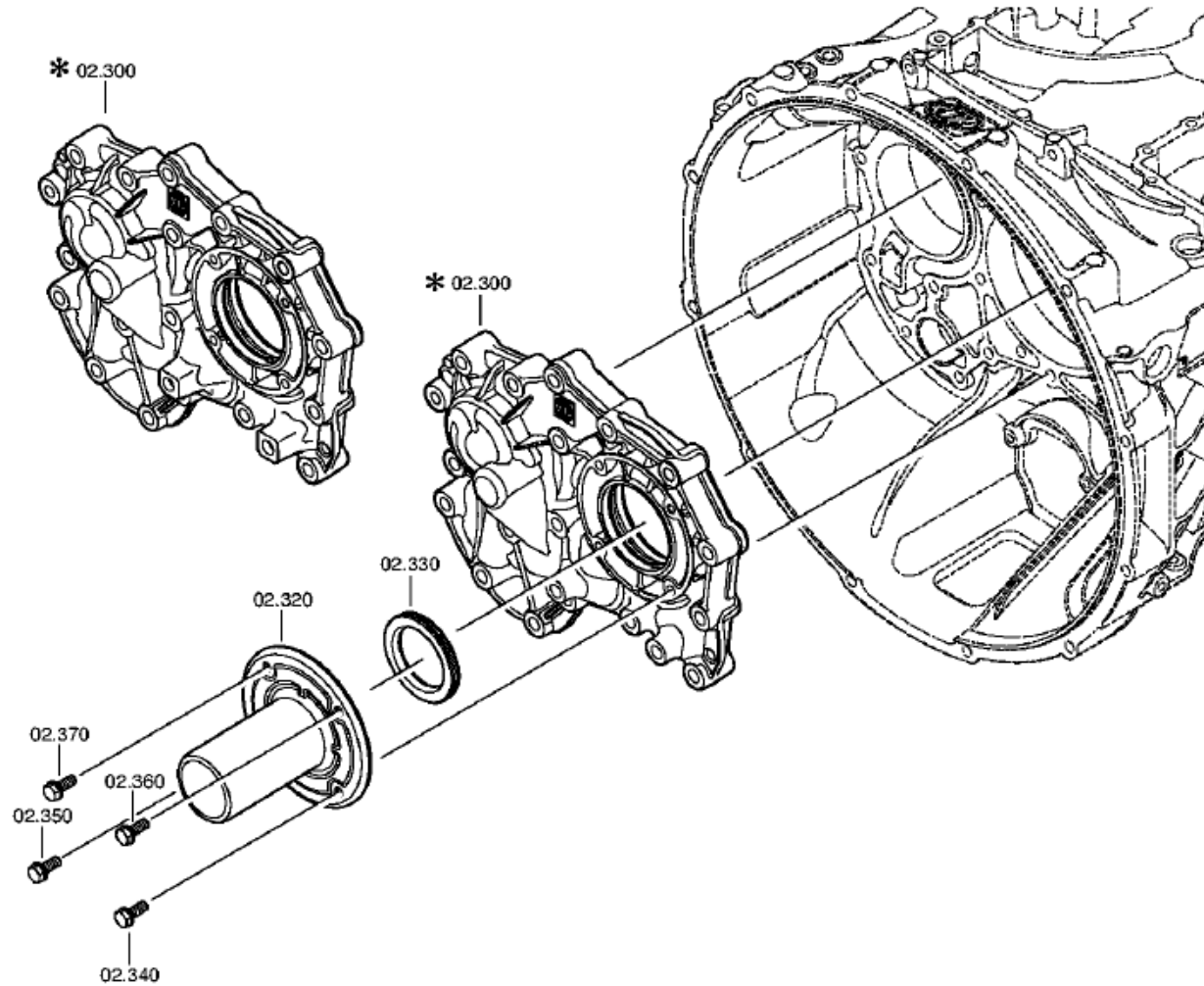
Material number: 1356.001.040

Plant: 161.02.01-1

INPUT SHAFT



16 S 2230 TD /  
INPUT SHAFT



# Plant

Page 3 from 3

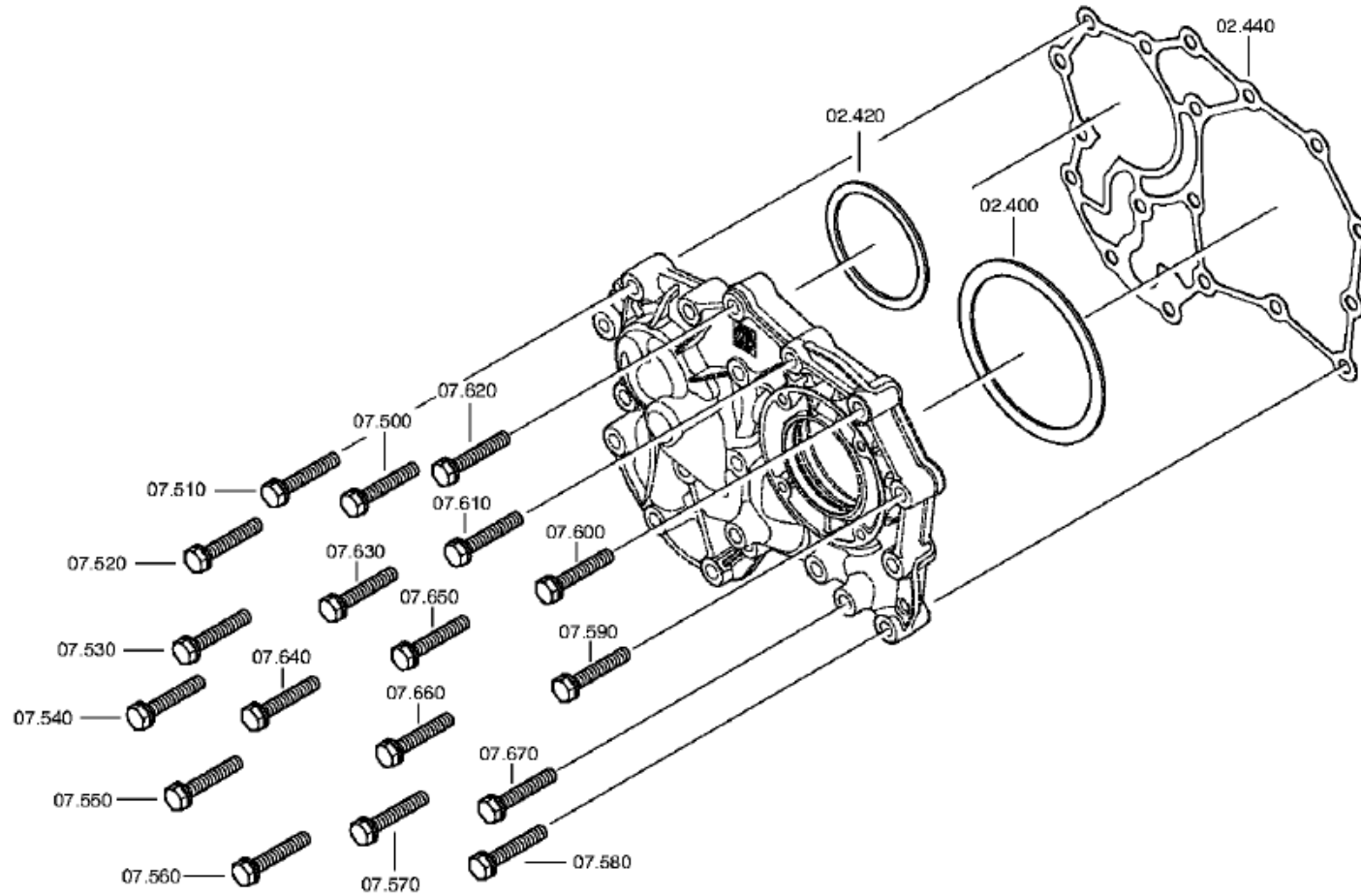
Material number: 1356.001.040

Plant: 161.02.80-1

INPUT SHAFT



16 S 2230 TD /  
INPUT SHAFT





# Parts list

Page 1 from 4



16 S 2230 TD /

Material number: 1356.001.040

Plant: 161.02.03-1

Material-assembly-group-no: 1356.102.005

Pos.	Material number	Customer material	Name	Quantity	ME	Amend. no.	Techn. Info.	Rep kit	Alternative material
10	1356.302.101		INPUT SHAFT	1		Z00011537237			
30	1354.302.019		TUBE	1					
40	0630.502.027	100CP3461	RETAINING RING	1			50X2		
50	0750.101.179	1896784	OIL DAM	1		Z00007187910	77,0X95,5X6,0		
60	0631.328.659		SLOTTED PIN	1			4X30		
80	1316.304.190	1831990	CLUTCH BODY	1		Z00012049010	ZF-BK 144 O		
90	1316.304.189	1832004	SYNCHRO.RING	1			ZF-BK 144		
100	1356.304.023	1833891	SLIDING SLEEVE	1		Z00011717310	ZF-BK 144		
110	1297.304.436	0068332	PRESSURE PART	1					
112	0732.040.409	0171349	COMPRESSION SPRING	1					
116	1297.304.436	0068332	PRESSURE PART	1					
118	0732.040.409	0171349	COMPRESSION SPRING	1					
122	1297.304.436	0068332	PRESSURE PART	1					
124	0732.040.409	0171349	COMPRESSION SPRING	1					
130	1316.304.189	1832004	SYNCHRO.RING	1			ZF-BK 144		
140	1316.304.190	1831990	CLUTCH BODY	1		Z00012049010	ZF-BK 144 O		
200	1316.302.066	1369642	HELICAL GEAR	1			ENTHALT.IN 1316 302 026(1)		
230	0750.117.732	5 8301 0	TAPERED ROLLER BEARING	1			85,0X150,0X30,5		
240	0730.501.598		RETAINING RING	1			85X4		
300	1325.302.044		CONNECTION PLATE	1			AUSRUECKUNG 2		
320	1325.302.029	1869863	GUIDE TUBE	1					
330	---		SHAFT SEAL	1			55X78X8		
---	0734.310.435	1831926	SHAFT SEAL	1			55X78X8 FA.CFW		
340	0636.100.466		SCREW WITH WASHER ASSEMBLY	1		Z00009178210	M8X22		
350	0636.100.466		SCREW WITH WASHER ASSEMBLY	1		Z00009178210	M8X22		
360	0636.100.466		SCREW WITH WASHER ASSEMBLY	1		Z00009178210	M8X22		
370	0636.100.466		SCREW WITH WASHER ASSEMBLY	1		Z00009178210	M8X22		
400	---		SHIM	1			H= 0,90- 2,40(ABSTUFUNG:0,05MM)		
---	2050.309.094		SHIM	1			A=2,2 IN 2050 309 090 C45E WW.F500 ZFN410		

# Parts list

Page 2 from 4



16 S 2230 TD /

Material number: 1356.001.040

Plant: 161.02.03-1

Material-assembly-group-no: 1356.102.005

Pos.	Material number	Customer material	Name	Quantity	ME	Amend. no.	Techn. Info.	Rep kit	Alternative material
---	0730.007.489		SHIM	1			A=2,15 IN 2050 309 090(2)		
---	0730.007.488		SHIM	1			A=2,10 IN 2050 309 090(2)		
---	0730.007.487		SHIM	1			A=2,05 IN 2050 309 090(2)		
---	0730.007.486		SHIM	1			A=2,00 IN 2050 309 090(2)		
---	0730.007.485		SHIM	1			A=1,95 IN 2050 309 090(2)		
---	0730.007.484	0730007484	SHIM	1			A=1,90 IN 2050 309 090(2)		
---	0730.007.483		SHIM	1			A=1,85 IN 2050 309 090(2)		
---	0730.007.482		SHIM	1			A=1,80 IN 2050 309 090(2)		
---	0730.007.481		SHIM	1			A=1,75 IN 2050 309 090(2)		
---	0730.007.480	1833896	SHIM	1			A=1,70 IN 2050 309 090(2)		
---	0730.007.479		SHIM	1			A=1,65 IN 2050 309 090(2)		
---	0730.007.136	1290955	SHIM	1			A=1,60 IN 2050 309 090(2)		
---	0730.007.135		SHIM	1			A=1,55 IN 2050 309 090(2)		
---	0730.007.134		SHIM	1			A=1,50 IN 2050 309 090(2)		
---	0730.007.133		SHIM	1			A=1,45 IN 2050 309 090(2)		
---	0730.007.132		SHIM	1			A=1,40 IN 2050 309 090(2)		
---	0730.007.131		SHIM	1			A=1,35 IN 2050 309 090(2)		
---	0730.007.130		SHIM	1			A=1,30 IN 2050 309 090(2)		
---	0730.007.129		SHIM	1			A=1,25 IN 2050 309 090(2)		
---	2050.309.034		SHIM	1			A=1,2 IN 2050 309 090 C45E WW.F500 ZFN410		
---	0730.007.128		SHIM	1			A=1,15 IN 2050 309 090(2)		
---	0730.007.127		SHIM	1			A=1,10 IN 2050 309 090(2)		
---	0730.007.126		SHIM	1			A=1,05 IN 2050 309 090(2)		
---	2050.309.065		SHIM	1			A=1,0 IN 2050 309 090 C45E WW.F500 ZFN410		
---	0730.005.749		SHIM	1			A=0,95 IN 2050 309 090(2)		
---	0730.005.748	5 5258 0	SHIM	1			A=0,90 IN 2050 309 090(2)		
---	0730.301.503		SHIM	1			h=2,25		
---	0730.301.504		SHIM	1			h=2,30		
---	0730.301.505		SHIM	1			h=2,35		
---	0730.301.506		SHIM	1			h=2,40		
420	---		SHIM	1			H= 1,85- 3,25(ABSTUFUNG:0,05MM)		
---	0730.112.938		SHIM	1		C01007375C10	A=3,25		

# Parts list

Page 3 from 4



16 S 2230 TD /

Material number: 1356.001.040

Plant: 161.02.03-1

Material-assembly-group-no: 1356.102.005

Pos.	Material number	Customer material	Name	Quantity	ME	Amend. no.	Techn. Info.	Rep kit	Alternative material
---	0730.112.937		SHIM	1		C01007375C10	A=3,20		
---	0730.112.936		SHIM	1		C01007375C10	A=3,15		
---	0730.112.935		SHIM	1		C01007375C10	A=3,10		
---	0730.106.860	ZF-0730 106 860	SHIM	1		C01007375C10	A=3,05 IN 0730 106 904(2)		
---	0730.106.917	ZF-0730 106 917	SHIM	1			A=3,00 IN 0730 106 904(2)		
---	0730.106.916	1833921	SHIM	1			A=2,95 IN 0730 106 904(2)		
---	0730.106.915	1833920	SHIM	1			A=2,90 IN 0730 106 904(2)		
---	0730.106.914	1833919	SHIM	1			A=2,85 IN 0730 106 904(2)		
---	0730.106.913	1833918	SHIM	1			A=2,80 IN 0730 106 904(2)		
---	0730.106.912		SHIM	1			A=2,75 IN 0730 106 904(2)		
---	0730.106.911	1833917	SHIM	1			A=2,70 IN 0730 106 904(2)		
---	0730.106.910	1833916	SHIM	1			A=2,65 IN 0730 106 904(2)		
---	0730.106.909	1833915	SHIM	1			A=2,60 IN 0730 106 904(2)		
---	0730.106.908	1833914	SHIM	1			A=2,55 IN 0730 106 904(2)		
---	0730.100.799		SHIM	1			A=2,50 IN 0730 106 904(2)		
---	0730.100.800	1833898	SHIM	1			A=2,45 IN 0730 106 904(2)		
---	0730.100.801	ZF-0730 100 801	SHIM	1			A=2,40 IN 0730 106 904(2)		
---	0730.100.802	1833900	SHIM	1			A=2,35 IN 0730 106 904(2)		
---	0730.100.803	1833905	SHIM	1			A=2,30 IN 0730 106 904(2)		
---	0730.101.466	ZF-0730 101 466	SHIM	1			A=2,25 IN 0730 106 904(2)		
---	0730.101.467	1833906	SHIM	1			A=2,20 IN 0730 106 904(2)		
---	0730.101.468	1833907	SHIM	1			A=2,15 IN 0730 106 904(2)		
---	0730.101.469	1833909	SHIM	1			A=2,10 IN 0730 106 904(2)		
---	0730.101.470	1833910	SHIM	1			A=2,05 IN 0730 106 904(2)		
---	0730.101.471		SHIM	1			A=2,00 IN 0730 106 904(2)		
---	0730.106.907	1833912	SHIM	1			A=1,95 IN 0730 106 904(2)		
---	0730.106.906	1833911	SHIM	1			A=1,90 IN 0730 106 904(2)		
---	0730.106.905		SHIM	1			A=1,85 IN 0730 106 904(2)		
440	0501.324.454		GASKET	1		C01005568F10			
500	0636.102.270	0636 102 270 01	HEXAGON SCREW	1		Z00009177410	M10X60		
510	0636.102.270	0636 102 270 01	HEXAGON SCREW	1		Z00009177410	M10X60		
520	0636.102.270	0636 102 270 01	HEXAGON SCREW	1		Z00009177410	M10X60		
530	0636.102.270	0636 102 270 01	HEXAGON SCREW	1		Z00009177410	M10X60		
540	0636.102.270	0636 102 270 01	HEXAGON SCREW	1		Z00009177410	M10X60		

# Parts list

Page 4 from 4



16 S 2230 TD /

Material number: 1356.001.040

Plant: 161.02.03-1

Material-assembly-group-no: 1356.102.005

Pos.	Material number	Customer material	Name	Quantity	ME	Amend. no.	Techn. Info.	Rep kit	Alternative material
550	0636.102.270	0636 102 270 01	HEXAGON SCREW	1		Z00009177410	M10X60		
560	0636.102.270	0636 102 270 01	HEXAGON SCREW	1		Z00009177410	M10X60		
570	0636.102.270	0636 102 270 01	HEXAGON SCREW	1		Z00009177410	M10X60		
580	0636.102.270	0636 102 270 01	HEXAGON SCREW	1		Z00009177410	M10X60		
590	0636.102.270	0636 102 270 01	HEXAGON SCREW	1		Z00009177410	M10X60		
600	0636.102.270	0636 102 270 01	HEXAGON SCREW	1		Z00009177410	M10X60		
610	0636.102.270	0636 102 270 01	HEXAGON SCREW	1		Z00009177410	M10X60		
620	0636.102.270	0636 102 270 01	HEXAGON SCREW	1		Z00009177410	M10X60		
630	0636.102.270	0636 102 270 01	HEXAGON SCREW	1		Z00009177410	M10X60		
640	0636.102.270	0636 102 270 01	HEXAGON SCREW	1		Z00009177410	M10X60		
650	0636.102.270	0636 102 270 01	HEXAGON SCREW	1		Z00009177410	M10X60		
660	0636.102.270	0636 102 270 01	HEXAGON SCREW	1		Z00009177410	M10X60		
670	0636.102.270	0636 102 270 01	HEXAGON SCREW	1		Z00009177410	M10X60		

# Plant

Page 1 from 1

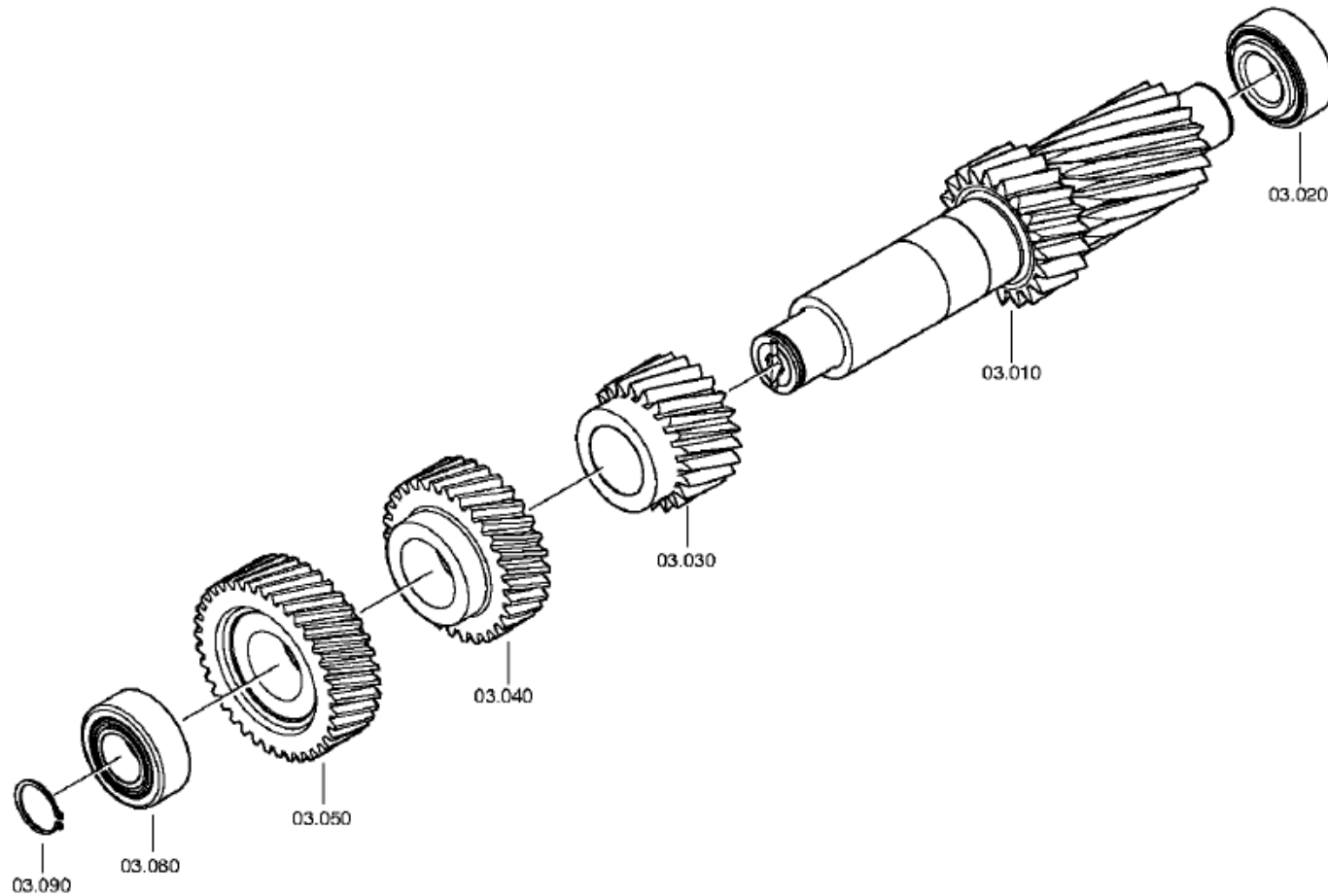
Material number: 1356.001.040

Plant: 161.03.02-1

Material-assembly-group-no: 1356.103.003



16 S 2230 TD /  
COUNTERSHAFT



# Parts list

Page 1 from 1



16 S 2230 TD /

Material number: 1356.001.040

Plant: 161.03.02-1

Material-assembly-group-no: 1356.103.003

Pos.	Material number	Customer material	Name	Quantity	ME	Amend. no.	Techn. Info.	Rep kit	Alternative material
10	1316.303.033	5 5340 0	COUNTERSHAFT	1			ENTHALT.IN 1316 303 032(0)		
20	0750.117.009	8 8449 0	TAPERED ROLLER BEARING	1			49,213X103,188X44,475		
30	1316.303.005	1295190	HELICAL GEAR	1			3G/Z26 IN 1312 303 018(1)		
40	1316.303.065	1360899	HELICAL GEAR	1			Z35 IN 1312 303 013(1)		
50	1316.303.030		HELICAL GEAR	1			KON/Z39 IN 1316 303 029(1)		
80	0750.117.009	8 8449 0	TAPERED ROLLER BEARING	1			49,213X103,188X44,475		
90	---		RETAINING RING	1			H= 2,40- 3,00(ABSTUFUNG:0,05MM)		
---	0630.531.065	8603574	RETAINING RING	1			50X3		
---	0630.501.111		RETAINING RING	1			50X2,95		
---	0630.501.112	0002640551	RETAINING RING	1			50X2,9		
---	0630.501.113		RETAINING RING	1			50X2,85		
---	0630.501.114	0002641451	RETAINING RING	1			50X2,8		
---	0630.501.115		RETAINING RING	1			50X2,75		
---	0630.501.116	0002641351	RETAINING RING	1			50X2,7		
---	0630.501.117	0140310	RETAINING RING	1			50X2,65		
---	0630.501.118	0002641251	RETAINING RING	1			50X2,6		
---	0630.501.160		RETAINING RING	1			50X2,55		
---	0630.531.064	1663657	RETAINING RING	1			50X2,5		
---	0630.501.159		RETAINING RING	1			50X2,45		
---	0630.501.148	0002641051	RETAINING RING	1			50X2,4		



# Parts list

Page 1 from 3



16 S 2230 TD /

Material number: 1356.001.040

Plant: 161.04.13-1

Material-assembly-group-no: 1316.298.037

Pos.	Material number	Customer material	Name	Quantity	ME	Amend. no.	Techn. Info.	Rep kit	Alternative material
10	1316.304.132	1395314	MAIN SHAFT	1					
20	1356.304.023	1833891	SLIDING SLEEVE	1			ZF-BK 144		
30	0750.115.303	5 8158 0	NEEDLE CAGE	1			92,0X100,0X63,0		
30	1316.304.196		SYNCHRO.RING	2					
40	1297.304.436	0068332	PRESSURE PART	3					
40	1316.304.002	133-242-3900	HELICAL GEAR	1			2G/Z38 IN 1316 304 005(1)		
50	0732.040.409	0171349	COMPRESSION SPRING	3					
50	1356.204.004		SYNCHRONIZER	1		Z00005152412	1+2G*BK160 CARBON*MIT DRUCKSTCK.HALTENASEN		
/10	1356.304.022		SYNCHRO.BODY	1		Z00005152410			
/20	1356.304.024	1865591	SLIDING SLEEVE	1		Z00005152410	ZF-BK 160		
/30	1316.304.173		SYNCHRO.RING	2		Z00005152410			
/50	1297.304.436	0068332	PRESSURE PART	3		Z00005152410			
/60	0732.040.409	0171349	COMPRESSION SPRING	3		Z00005152410			
/80	1356.304.026		CLUTCH BODY	2					
60	1356.304.025		CLUTCH BODY	2					
70	1315.301.221		PLATE	1					
80	1315.755.701		GENERAL LISTS ZF- ECOSPLIT 3	1			N-SL, CHECKLISTE FUER CARBONSYNCHRONISIERUNGEN		
140	1312.304.084	42480712	BUSH	1			ENTHALT.IN 1312 304 007(2)		
150	0750.115.327	5 8157 0	NEEDLE CAGE	1			96,0X104,0X72,0		
160	1316.304.010	1316304010	HELICAL GEAR	1			1G/Z47 IN 1312 304 033(0)		
180	1312.304.124	1295199	CLUTCH BODY	1			ENTHALT.IN 1312 304 055(0)		
200	1316.304.133	42480812	BUSH	1			A=50,00 IN 1312 304 010(2)		
210	0750.115.326	5 8156 0	NEEDLE CAGE	1			90,0X98,0X50,0		
220	---		HELICAL GEAR	1					
---	1316.304.012	133-242-3920	HELICAL GEAR	1			RG*Z44 IN 1312 304 125(0)		
---	1316.304.235		HELICAL GEAR	1					
230	0750.117.678	8 8114 0	TAPERED ROLLER BEARING	1			80,0X140,0X36,5		
240	---		RETAINING RING	1			H= 3,00- 3,65(ABSTUFUNG:0,05MM)		
---	0630.501.316	820-400-2580	RETAINING RING	1			80X3,5		
---	0630.501.336	H0109516	RETAINING RING	1			80X3,45		
---	0630.501.315	820-400-2582	RETAINING RING	1			80X3,4		
---	0630.501.335	H0109514	RETAINING RING	1			80X3,35		



# Parts list

Page 2 from 3



16 S 2230 TD /

Material number: 1356.001.040

Plant: 161.04.13-1

Material-assembly-group-no: 1316.298.037

Pos.	Material number	Customer material	Name	Quantity	ME	Amend. no.	Techn. Info.	Rep kit	Alternative material
---	0630.501.314	820-400-2584	RETAINING RING	1			80X3,3		
---	0630.501.334	820-400-2585	RETAINING RING	1			80X3,25		
---	0630.501.313	820-400-2586	RETAINING RING	1			80X3,2		
---	0630.501.333	820-400-2587	RETAINING RING	1			80X3,15		
---	0630.501.312	820-400-2588	RETAINING RING	1			80X3,1		
---	0630.501.337	820-400-2589	RETAINING RING	1			80X3,55		
---	0630.501.338	820-400-2590	RETAINING RING	1			80X3,6		
---	0630.501.339	820-400-2591	RETAINING RING	1			80X3,65		
250	1312.304.150	5 5177 0	TUBE	1					
260	0750.115.303	5 8158 0	NEEDLE CAGE	1			92,0X100,0X63,0		
270	1316.304.008	133-242-3930	HELICAL GEAR	1			3G/Z34 IN 1312 304 135(1)		
280	1356.304.025		CLUTCH BODY	1		Z00005152412			
290	1356.204.005		SYNCHRONIZER	1		Z00005152412	3+4G*BK144 CARBON*MIT DRUCKSTCK.HALTENASEN		
/10	1356.304.019	1833885	SYNCHRO.BODY	1		Z00005152410			
/20	1356.304.023	1833891	SLIDING SLEEVE	1		Z00005152410	ZF-BK 144		
/30	1316.304.196		SYNCHRO.RING	2		Z00005152410			
/50	1297.304.436	0068332	PRESSURE PART	3		Z00005152410			
/60	0732.040.409	0171349	COMPRESSION SPRING	3		Z00005152410			
370	1356.304.025		CLUTCH BODY	1		Z00005152412			
380	0750.101.158		THRUST WASHER	1					
390	0750.101.158		THRUST WASHER	1					
400	0750.119.124	5 8910 0	INNER RING	1			67,0X77,0X66,1		
410	0750.115.531	5 8908 0	ROLLER CAGE	1			77,0X101,0X29,0		
420	0750.115.531	5 8908 0	ROLLER CAGE	1			77,0X101,0X29,0		
440	1316.304.103	5 5341 0	HELICAL GEAR	1			Z32		
600	---		AXIAL WASHER	1			H= 7,30- 8,00(ABSTUFUNG:0,10MM)		
---	1315.304.048	5 5877 0	AXIAL WASHER	1			A=8,00 IN 1315 304 042(2)		
---	1315.304.047	5 5859 0	AXIAL WASHER	1			A=7,90 IN 1315 304 042(2)		
---	1315.304.046	ZF-1315 304 046	AXIAL WASHER	1			A=7,80 IN 1315 304 042(2)		
---	1315.304.045	5 5858 0	AXIAL WASHER	1			A=7,70 IN 1315 304 042(2)		
---	1315.304.044	ZF-1315 304 044	AXIAL WASHER	1			A=7,60 IN 1315 304 042(2)		
---	1315.304.043	ZF-1315 304 043	AXIAL WASHER	1			A=7,50 IN 1315 304 042(2)		
---	1315.304.085	ZF-1315 304 085	AXIAL WASHER	1			A=7,40 IN 1315 304 042(2)		

# Parts list

Page 3 from 3



16 S 2230 TD /

Material number: 1356.001.040

Plant: 161.04.13-1

Material-assembly-group-no: 1316.298.037

Pos.	Material number	Customer material	Name	Quantity	ME	Amend. no.	Techn. Info.	Rep kit	Alternative material
---	1315.304.086	1833949	AXIAL WASHER	1			A=7,30 IN 1315 304 042(2)		
610	0750.117.232	81.93501.0080	TAPERED ROLLER BEARING	1			42,0X40,3		
620	1312.204.040		SPLIT RING	1			GESTANZT		
/10	---		SPLIT RING	2			H= 4,60- 5,00(ABSTUFUNG:0,10MM)		
---	0730.107.023	820-400-2660	SPLIT RING	2			A=5,00 IN 0730 106 207(2)		
---	0730.107.022	820-400-2661	SPLIT RING	2			A=4,90 IN 0730 106 207(2)		
---	0730.107.021	820-400-2662	SPLIT RING	2			A=4,80 IN 0730 106 207(2)		
---	0730.107.020	820-400-2663	SPLIT RING	2			A=4,70 IN 0730 106 207(2)		
---	0730.107.019	820-400-2664	SPLIT RING	2			A=4,60 IN 0730 106 207(2)		
/20	0730.062.781	H0224840	RETAINING RING	1			ENTHALT.IN 0730 062 636(2)		

# Plant

Page 1 from 1

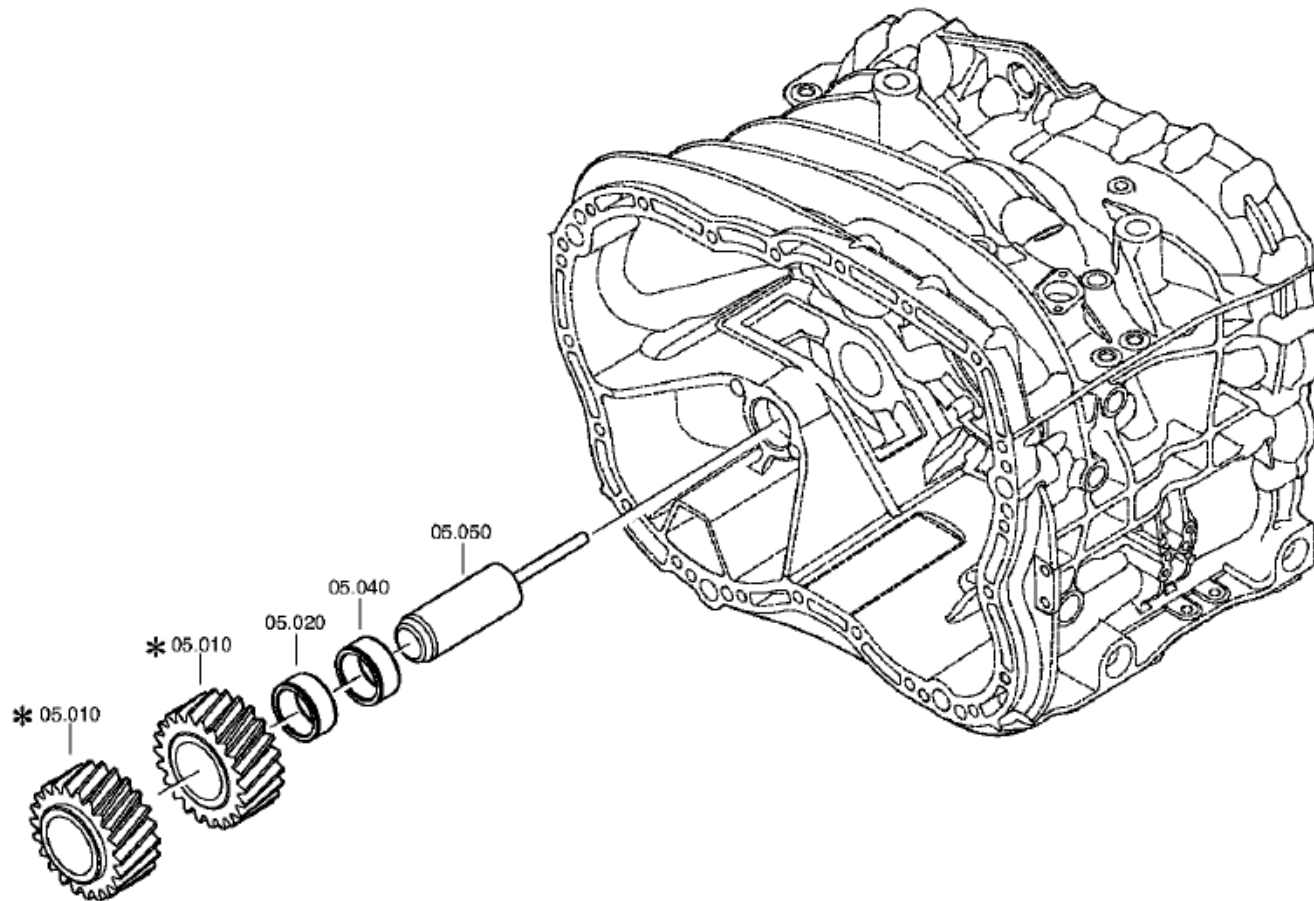
Material number: 1356.001.040

Plant: 161.05.01-1

Material-assembly-group-no: 1325.105.001



16 S 2230 TD /  
RETURN



# Parts list

Page 1 from 1



16 S 2230 TD /

Material number: 1356.001.040

Plant: 161.05.01-1

Material-assembly-group-no: 1325.105.001

Pos.	Material number	Customer material	Name	Quantity	ME	Amend. no.	Techn. Info.	Rep kit	Alternative material
10	---		REVERSE IDLER GEAR	1		C01006413F10			
---	1316.305.001		REVERSE IDLER GEAR	1			Z22 IN 1295 305 050(1)		
---	1316.305.008	1882761	REVERSE IDLER GEAR	1			Z22 IN 1295 305 050(1)		
20	0750.115.369	820-400-2290	NEEDLE CAGE	1			45,0X57,0X25,0		
40	0750.115.369	820-400-2290	NEEDLE CAGE	1			45,0X57,0X25,0		
50	1316.201.030		REVERSE IDLER SHAFT	1			KPL.16S221*SG*L=102		
/120	0631.329.295		SLOTTED PIN	1			10X118		

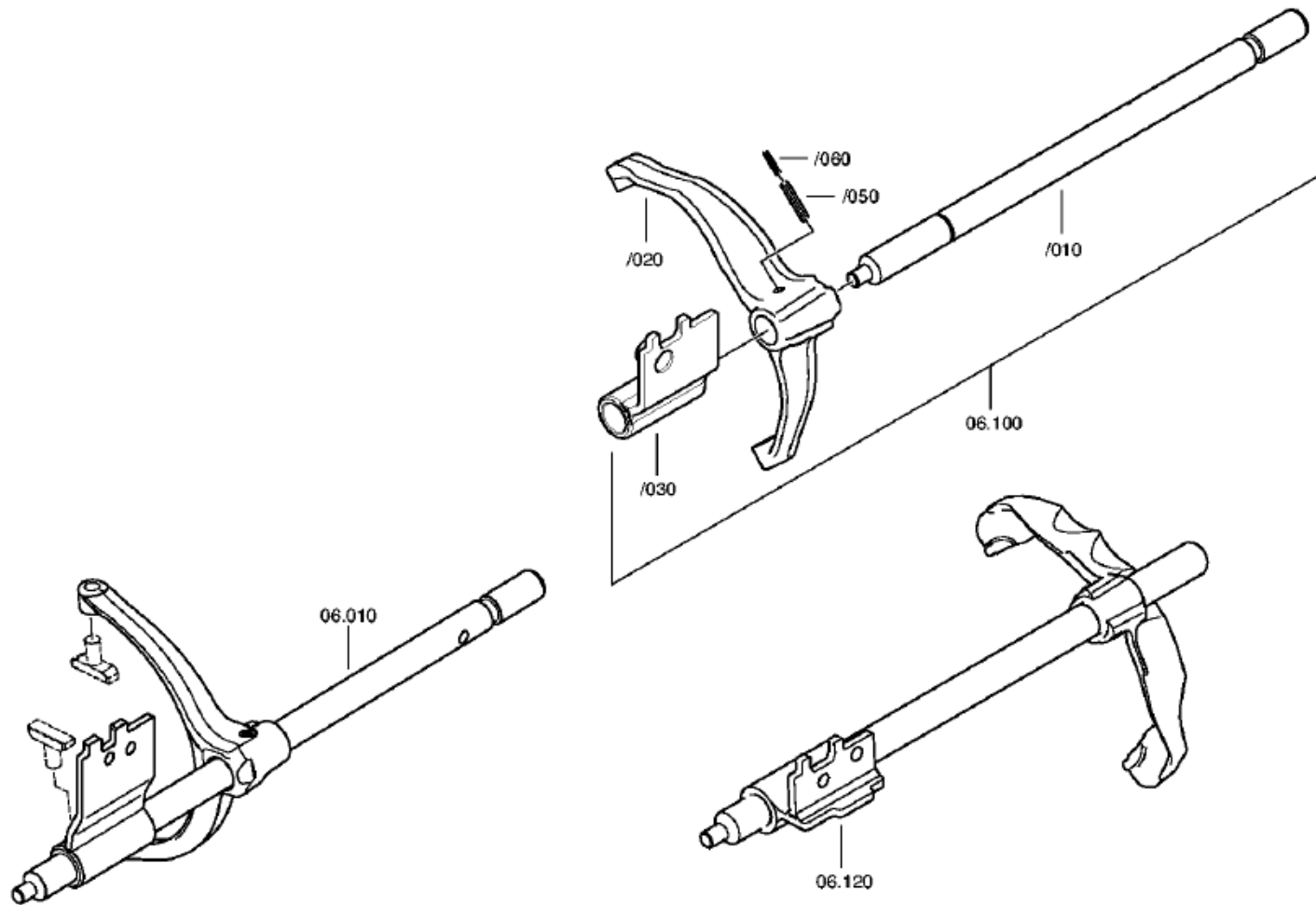
# Plant

Page 1 from 2

Material number: 1356.001.040  
Plant: 161.06.04-1  
TRANSMISSION SHIFT SYSTEM



16 S 2230 TD /  
TRANSMISSION SHIFT SYSTEM



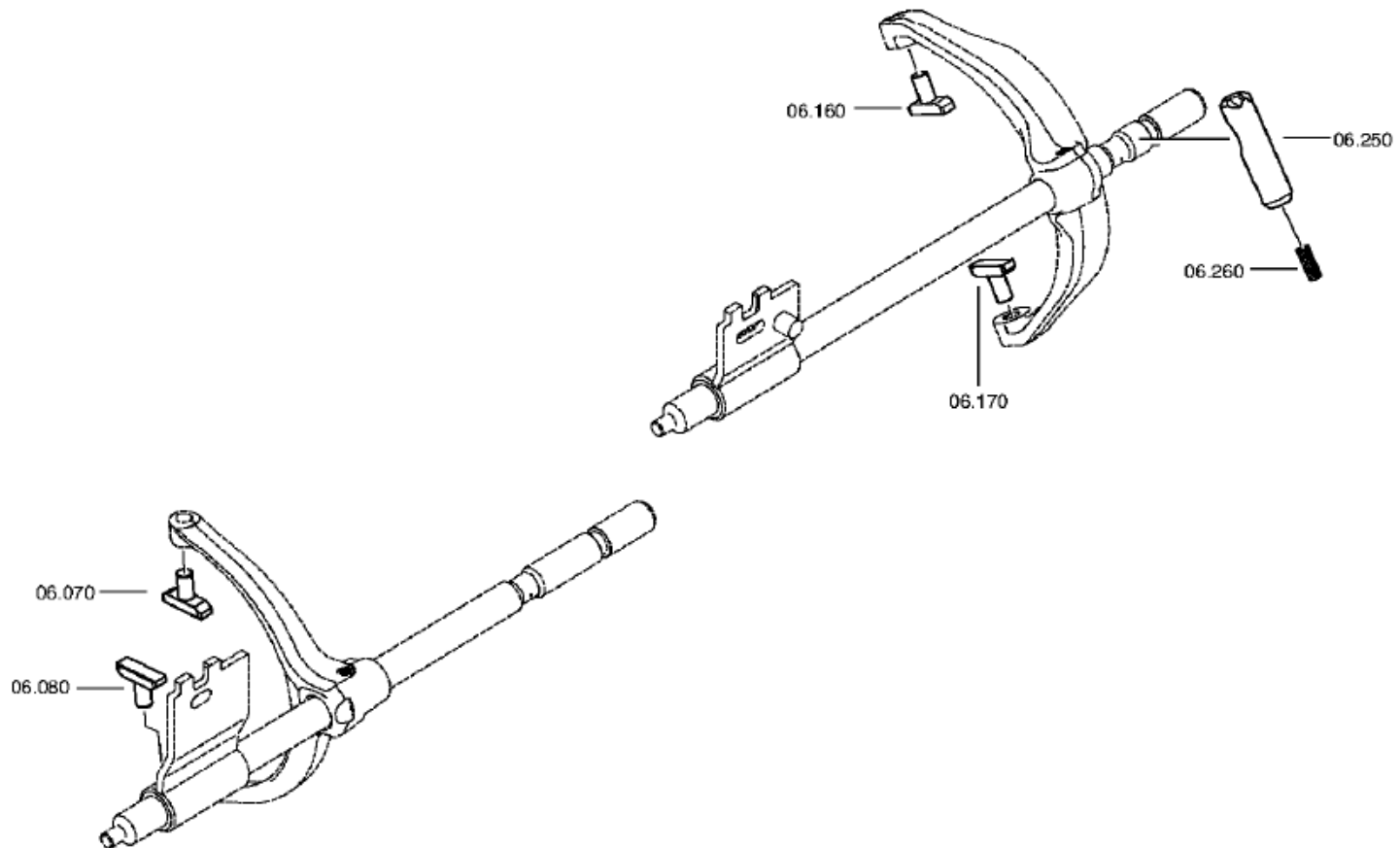
# Plant

Page 2 from 2

Material number: 1356.001.040  
Plant: 161.06.02-1  
TRANSMISSION SHIFT SYSTEM



16 S 2230 TD /  
TRANSMISSION SHIFT SYSTEM



# Parts list

Page 1 from 1



16 S 2230 TD /

Material number: 1356.001.040

Plant: 161.06.04-1

Material-assembly-group-no: 1356.106.001

Pos.	Material number	Customer material	Name	Quantity	ME	Amend. no.	Techn. Info.	Rep kit	Alternative material
10	1356.206.004		GEAR SHIFT RAIL	1			KPL*WBI-3/4G*LANG*MIT GANGERKENNUNG DAF		
70	1316.306.015	5 5342 0	SLIDING PAD	1					
80	1316.306.015	5 5342 0	SLIDING PAD	1					
100	1356.206.002		GEAR SHIFT RAIL	1			KPL*WBI-1/2G*LANG		
120	1356.206.001		GEAR SHIFT RAIL	1			KPL*WBI-RG*LANG		
160	1316.306.015	5 5342 0	SLIDING PAD	1					
170	1316.306.015	5 5342 0	SLIDING PAD	1					
250	1313.306.013		LOCKING PIN	1					
260	0732.040.736	2150041300	COMPRESSION SPRING	1					





# Plant

Page 2 from 4

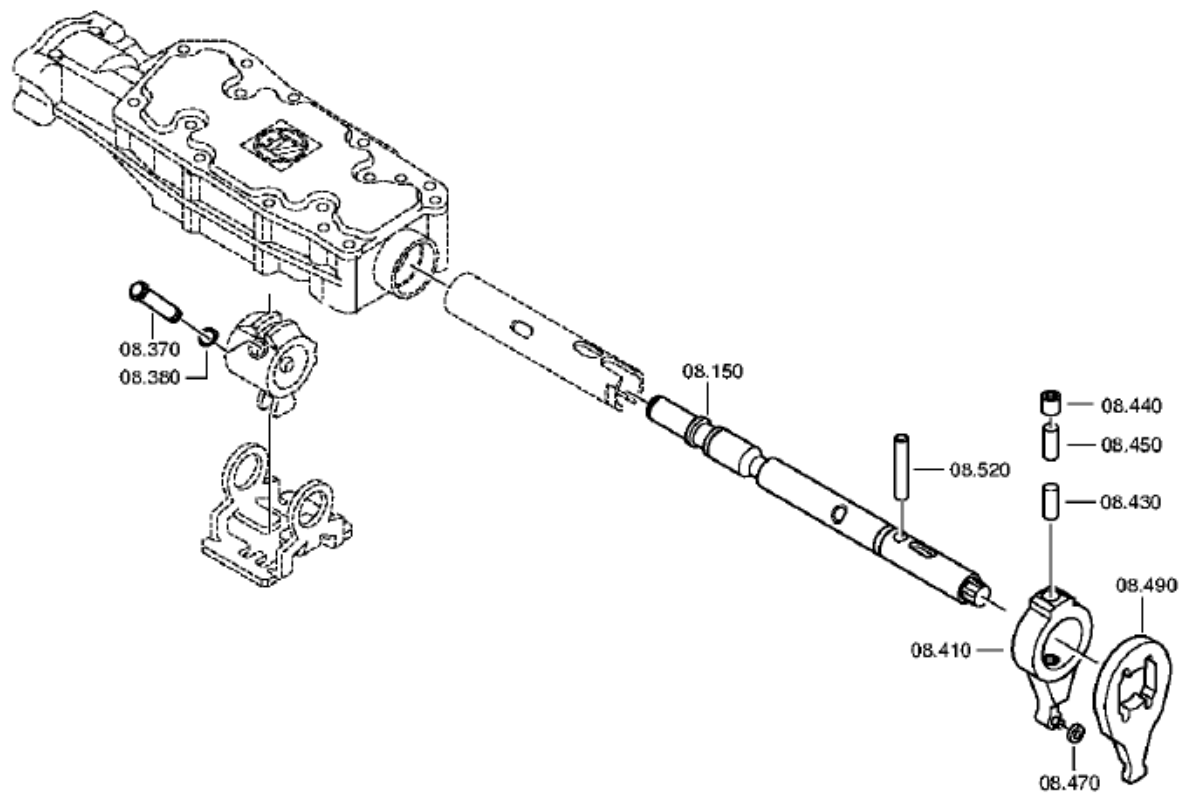
Material number: 1356.001.040

Plant: 068.07.47-1

GEAR SHIFT HOUSING



16 S 2230 TD /  
GEAR SHIFT HOUSING



# Plant

Page 3 from 4

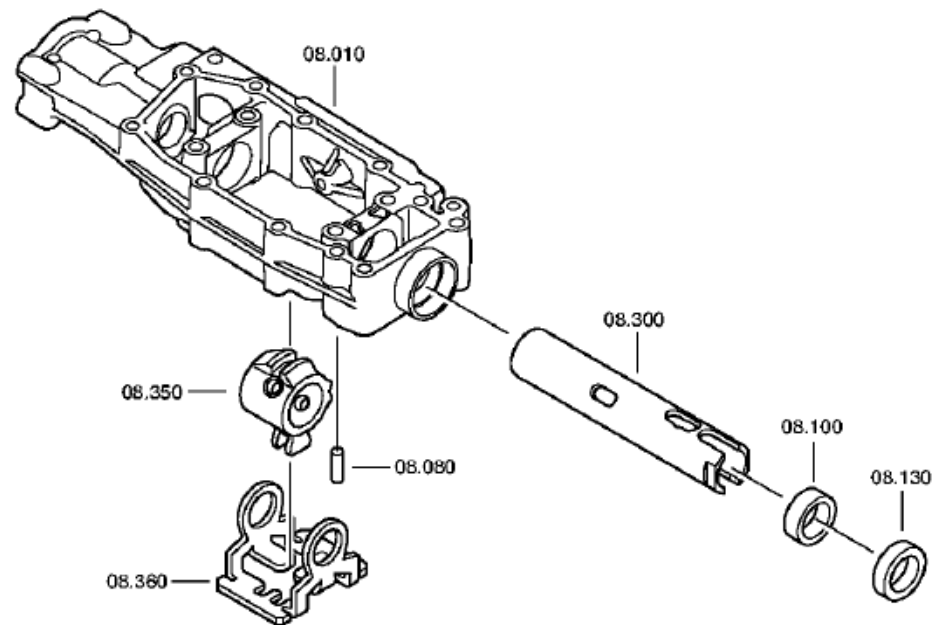
Material number: 1356.001.040

Plant: 068.07.48-1

GEAR SHIFT HOUSING



16 S 2230 TD /  
GEAR SHIFT HOUSING



# Plant

Page 4 from 4

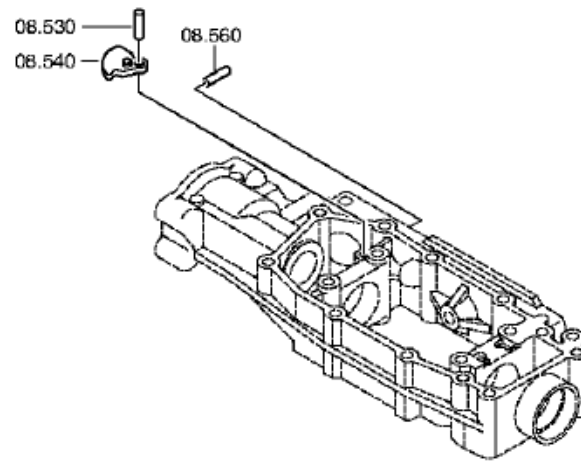
Material number: 1356.001.040

Plant: 068.07.82-1

GEAR SHIFT HOUSING



16 S 2230 TD /  
GEAR SHIFT HOUSING



# Parts list

Page 1 from 1



16 S 2230 TD /

Material number: 1356.001.040

Plant: 068.07.92-1

Material-assembly-group-no: 1341.108.804

Pos.	Material number	Customer material	Name	Quantity	ME	Amend. no.	Techn. Info.	Rep kit	Alternative material
10	1341.307.010		GEAR SHIFT HOUSING	1					
80	0631.306.123	190003901424	CYLINDRICAL PIN	1			8X24		
100	0730.260.703	1394369	BUSH	1			A=13,70		
130	0734.309.765	1798267	SHAFT SEAL	1			28X42X11 FA.SKT		
150	1341.307.099		GEARSHIFT SHAFT	1					
300	1341.307.108		QUILL SHAFT	1			GASSENABHAENG. SERVO		
350	1341.307.054		DRIVER	1					
360	1341.307.053	1341307053	LOCKING PIECE	1					
370	1316.208.003		PIN	1			KPL.		
380	0630.501.006	P0436202H	RETAINING RING	1			10X1		
410	1316.208.002	1394380	VALVE LEVER	1			KPL.		
430	0731.201.732	1452229	PIN	1					
440	0635.303.019	1394383	NEEDLE BUSH	1			10X14X15		
450	0731.201.732	1452229	PIN	1					
470	1315.307.226	820-400-3340	ROLLER	1					
490	1315.307.292		LEVER	1					
520	0731.201.783		PIN	1					
530	0731.201.726		PIN	1					
540	1341.307.034		LOCKING PAWL	1					
560	0731.201.726		PIN	1					
870	1315.307.013	133-138-1020	GASKET	1					
890	0736.300.137	1197869	HEXAGON SCREW	8		Z00009195410	M8X80 M8X80		
930	1341.307.104		PROTECTION CAP	1		C01007034F10			
940	1341.307.044		SHIFT LEVER	1					
950	0636.011.756	1880758	HEXAGON SCREW	1			M10X50		

# Plant

Page 1 from 2

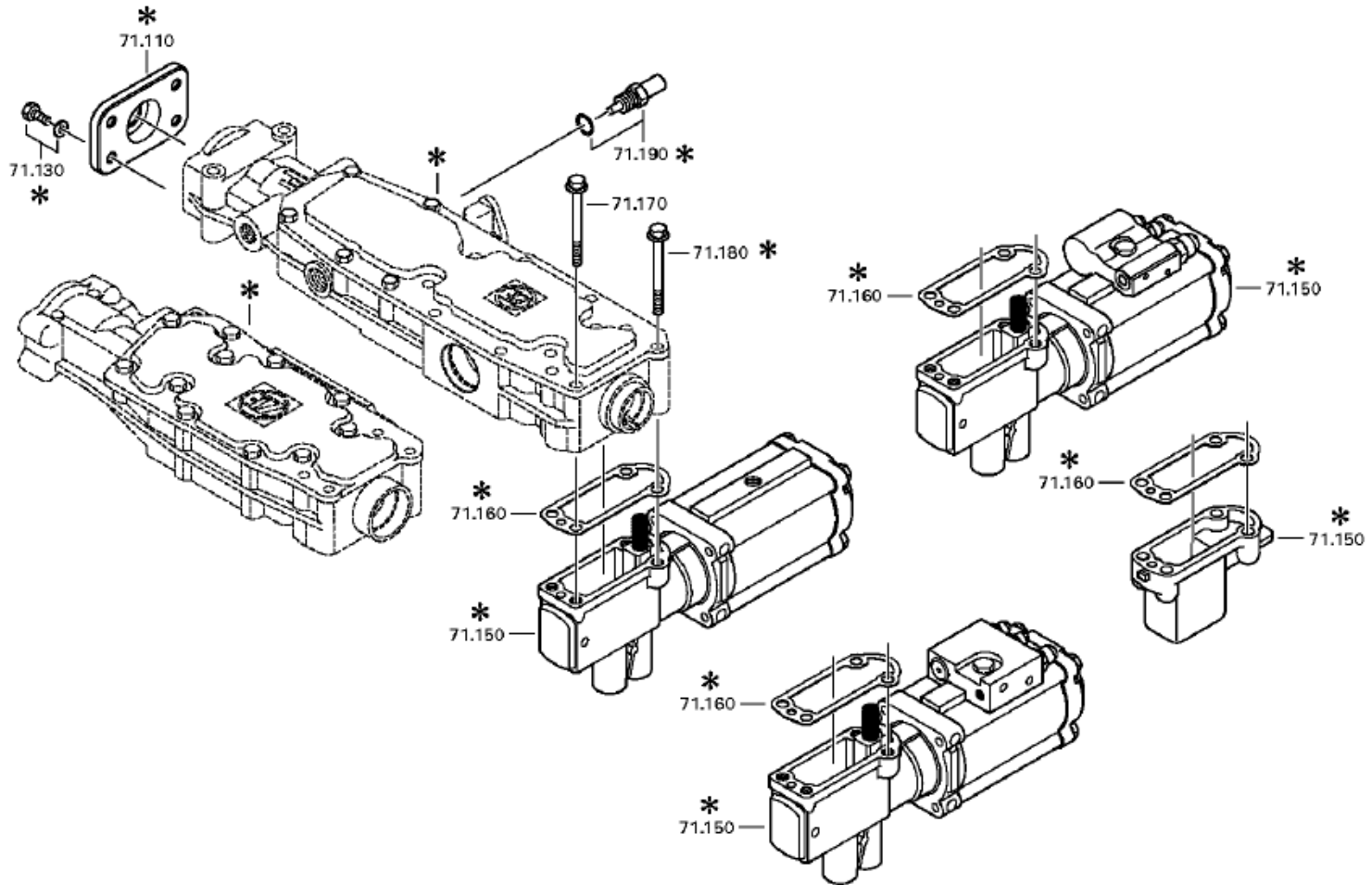
Material number: 1356.001.040

Plant: 062.08.30-1

END COVER



16 S 2230 TD /  
END COVER



# Plant

Page 2 from 2

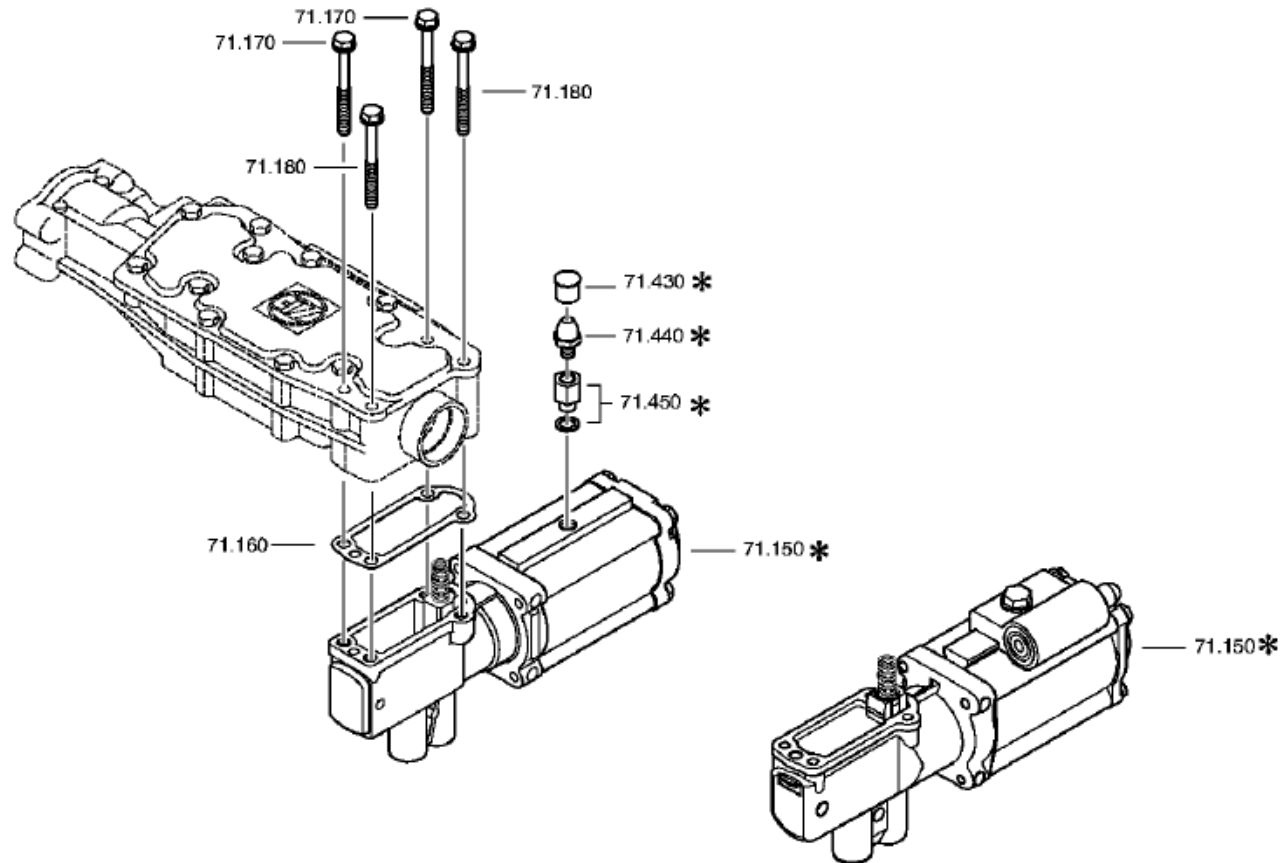
Material number: 1356.001.040

Plant: 068.08.02-1

END COVER



16 S 2230 TD /  
END COVER



# Parts list

Page 1 from 1



16 S 2230 TD /

Material number: 1356.001.040

Plant: 062.08.30-1

Material-assembly-group-no: 1316.171.403

Pos.	Material number	Customer material	Name	Quantity	ME	Amend. no.	Techn. Info.	Rep kit	Alternative material
110	1341.307.113		COVER	1		Z00009271410			
130	---		HEXAGON SCREW	4		Z00007891111	M8X20		
---	0636.100.796		HEXAGON SCREW	4		Z00007891120	M8X20		
---	0630.100.295		WASHER	4		Z00007158414			
150	0501.217.253		PNEUMATIC SERVO UNIT	1		Z00005985910	KPL. PSE6 K2 R2R4 GZ		
160	1315.307.242	1389649	GASKET	1		Z00005985910			
170	0736.300.137	1197869	HEXAGON SCREW	2		Z00009195410	M8X80 M8X80		
180	---		HEXAGON SCREW	2		Z00009195410	M8X80		
---	0736.300.137	1197869	HEXAGON SCREW	2		Z00009195414	M8X80 M8X80		
---	0666.790.033		SEAL.COMPOUND	2		Z00009195414			

# Plant

Page 1 from 2

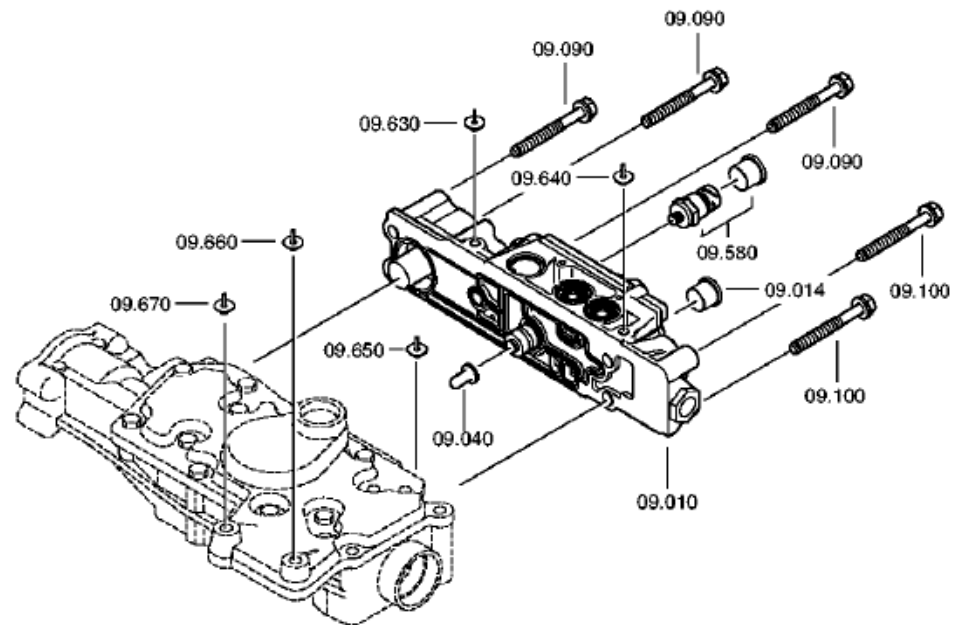
Material number: 1356.001.040

Plant: 161.09.02-1

VALVE BLOCK



16 S 2230 TD /  
VALVE BLOCK





# Plant

Page 2 from 2

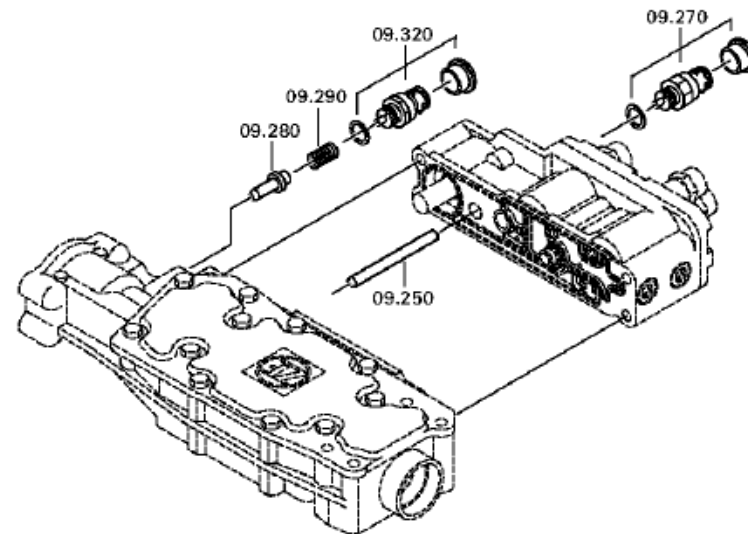
Material number: 1356.001.040

Plant: 161.09.03-1

VALVE BLOCK



16 S 2230 TD /  
VALVE BLOCK



# Parts list

Page 1 from 1



16 S 2230 TD /

Material number: 1356.001.040

Plant: 161.09.02-1

Material-assembly-group-no: 1325.109.001

Pos.	Material number	Customer material	Name	Quantity	ME	Amend. no.	Techn. Info.	Rep kit	Alternative material
10	0501.219.315		VALVE BLOCK	1		Z00019876311			
40	1315.307.404	1633667	TAPPET	1					
90	0636.024.526	1896742	HEXAGON SCREW	3		Z00007055410	M8X70		
100	0636.024.526	1896742	HEXAGON SCREW	2		Z00007055410	M8X70		
250	0731.201.727		PIN	1			A=83,50 IN 0731 201 445(2)		
252	0750.199.019		GREASE	1			KLASSE A		
270	---		SWITCH	1			OEFF*45N.M*DICHTRING*BAJONETT* SCHUTZKAPPE		
---	0501.219.856	1946804	SWITCH	1			OEFFNER DIN BAJONETT		
---	0634.801.062	1804055	SEALING RING	1			18X24		
280	1315.307.414		BOLT	1					
290	0732.040.986		COMPRESSION SPRING	1					
320	---		TAPPET SWITCH	1			SCHL*45N.M*DICHTRING*BAJONETT CODIERT A2*SCHUTZKAPPE		
---	0501.331.662	2006612	TAPPET SWITCH	1		Z00025492610	KPL.		
---	0634.801.062	1804055	SEALING RING	1			18X24		
---	0700.300.427		PROTECTION CAP	1					
502	0637.510.666	1831968	PLUG	1			M12X1		
522	0637.510.665		PLUG	1			M10X1		
580	---		PRESSURE SWITCH	1			SCHL*23N.M*GP-UMSCHALTVENTIL* SCHUTZKAPPE		
---	0501.214.244		PRESSURE SWITCH	1			KPL.		
---	0700.300.427		PROTECTION CAP	1					
630	0501.324.104		PLUG	1			GPN 630 M8X1		
640	0501.324.104		PLUG	1			GPN 630 M8X1		
650	0501.324.104		PLUG	1			GPN 630 M8X1		
660	0501.324.104		PLUG	1			GPN 630 M8X1		
670	0501.324.104		PLUG	1			GPN 630 M8X1		

# Plant

Page 1 from 3

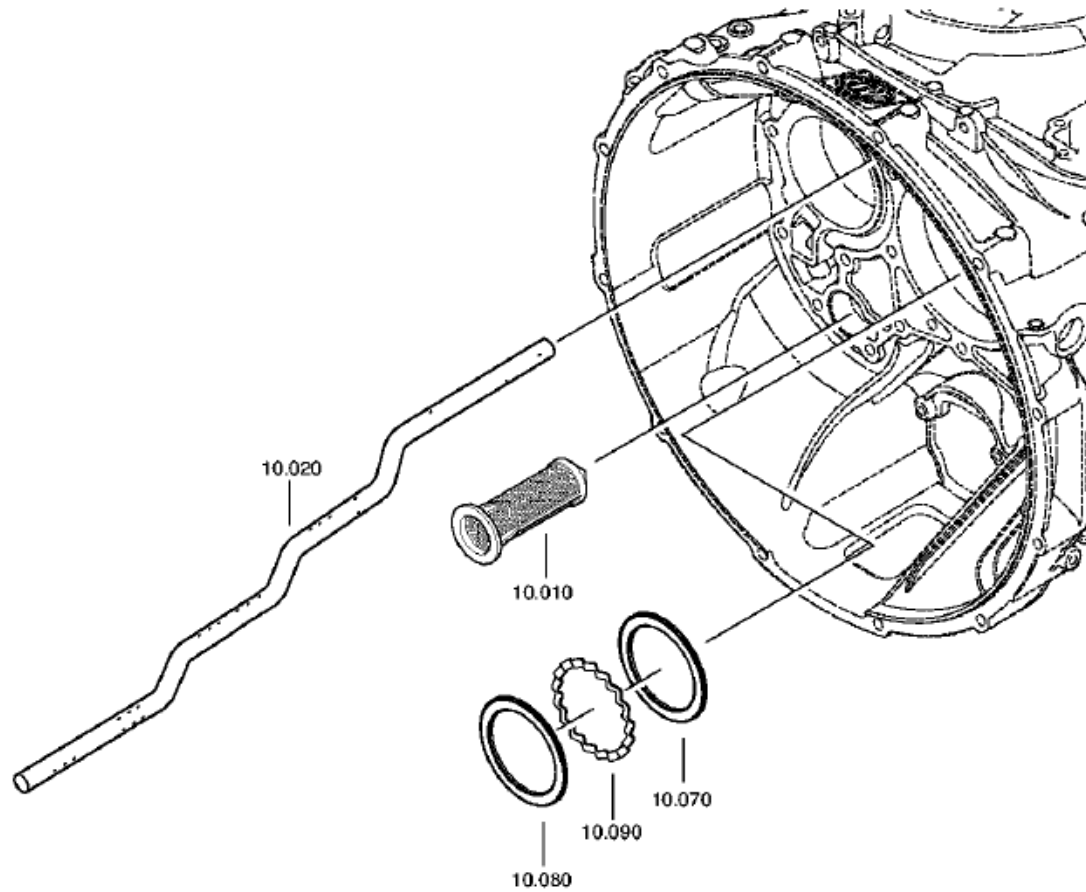
Material number: 1356.001.040

Plant: 161.10.04-1

OIL SUPPLY



16 S 2230 TD /  
OIL SUPPLY



# Plant

Page 2 from 3

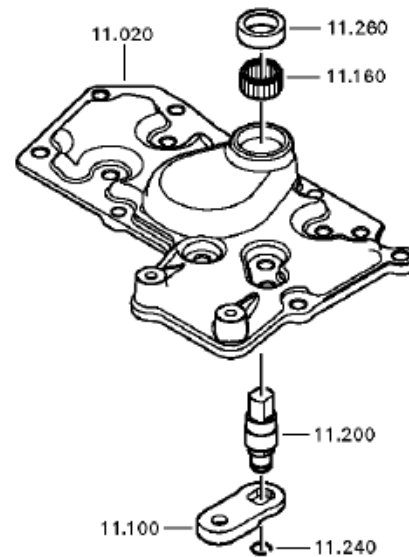
Material number: 1356.001.040

Plant: 068.10.03-1

OIL SUPPLY



16 S 2230 TD /  
OIL SUPPLY





# Parts list

Page 1 from 1



16 S 2230 TD /

Material number: 1356.001.040

Plant: 161.10.04-1

Material-assembly-group-no: 1356.110.002

Pos.	Material number	Customer material	Name	Quantity	ME	Amend. no.	Techn. Info.	Rep kit	Alternative material
10	0501.318.802	5718 742 08	SCREEN INSERT	1					
10	0501.322.265	1739223	GASKET	1			METALOSEAL		
20	1341.307.014		GEAR SHIFT COVER	1		C01000789E10			
20	1356.301.001		OIL TUBE	1			ECO 4 16G LANG		
30	---		HEXAGON SCREW	3			M8X25		
---	0636.016.401		HEXAGON SCREW	3			M8X25		
---	0630.100.295		WASHER	3		Z00007158414			
70	0730.300.745		WASHER	1			A=3,30 A=3,30		
80	0730.150.766		WASHER	1					
90	1315.302.040		SPACER RING	1					
100	1315.307.375		SELECTOR LEVER	1					
110	1315.303.027	5 5857 0	ROTOR	1					
120	1314.202.039	5 5842 0	PUMP SHAFT	1			KPL.		
140	1325.303.017		PUMP COVER	1					
150	0736.101.076		TORX SCREW	1					
160	0635.303.007	0635303007	NEEDLE SLEEVE	1			22X28X10		
160	0736.101.076		TORX SCREW	1					
200	1315.307.346	1315307346	SELECTOR SHAFT	1					
240	0630.531.240		V-RING	1					
260	---		SHAFT SEAL	1			20X30X7		
---	0734.309.392		SHAFT SEAL	1			20X30X7 FA.CFW		

# Plant

Page 1 from 1

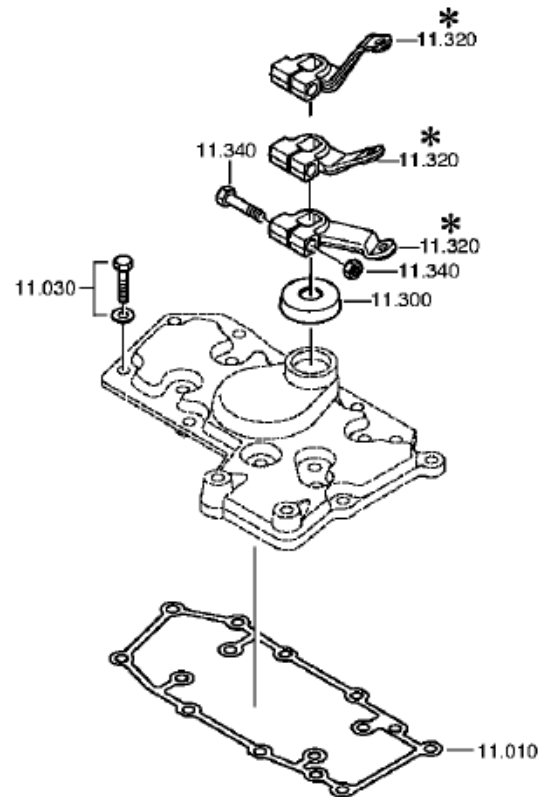
Material number: 1356.001.040

Plant: 068.10.04-1

Material-assembly-group-no: 1341.111.800



16 S 2230 TD /  
SELECTOR LEVER



# Parts list

Page 1 from 1



16 S 2230 TD /

Material number: 1356.001.040

Plant: 068.10.04-1

Material-assembly-group-no: 1341.111.800

Pos.	Material number	Customer material	Name	Quantity	ME	Amend. no.	Techn. Info.	Rep kit	Alternative material
300	0501.324.645		PROTECTION CAP	1		Z00002098310			
320	1341.307.124		SELECTOR LEVER	1		Z00008882810	U460		
340	---		BOLT+NUT	1			M10X50		
---	0636.011.756	1880758	HEXAGON SCREW	1			M10X50		
---	0637.100.419		HEXAGON NUT	1		Z00007892710	M10		



# Plant

Page 1 from 1

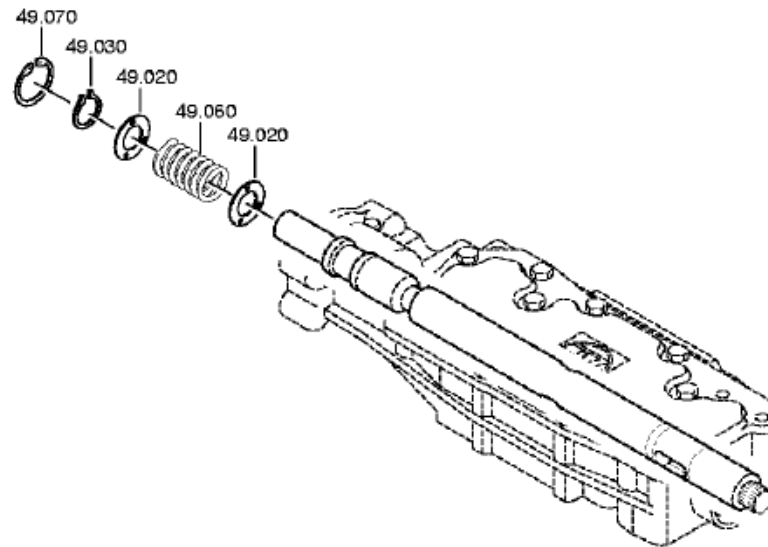
Material number: 1356.001.040

Plant: 068.12.25-1

Material-assembly-group-no: 1341.149.006



16 S 2230 TD /  
SET OF SPRINGS



# Parts list

Page 1 from 1



Material number: 1356.001.040

Plant: 068.12.25-1

Material-assembly-group-no: 1341.149.006

16 S 2230 TD /

Pos.	Material number	Customer material	Name	Quantity	ME	Amend. no.	Techn. Info.	Rep kit	Alternative material
20	0730.301.376	1884285	WASHER	2		Z00008917410			
30	0630.532.138	5004143	V-RING	1					
60	0732.041.011		COMPRESSION SPRING	1					
70	0630.502.022	100CP2729	RETAINING RING	1			40X1,75		

# Plant

Page 1 from 1

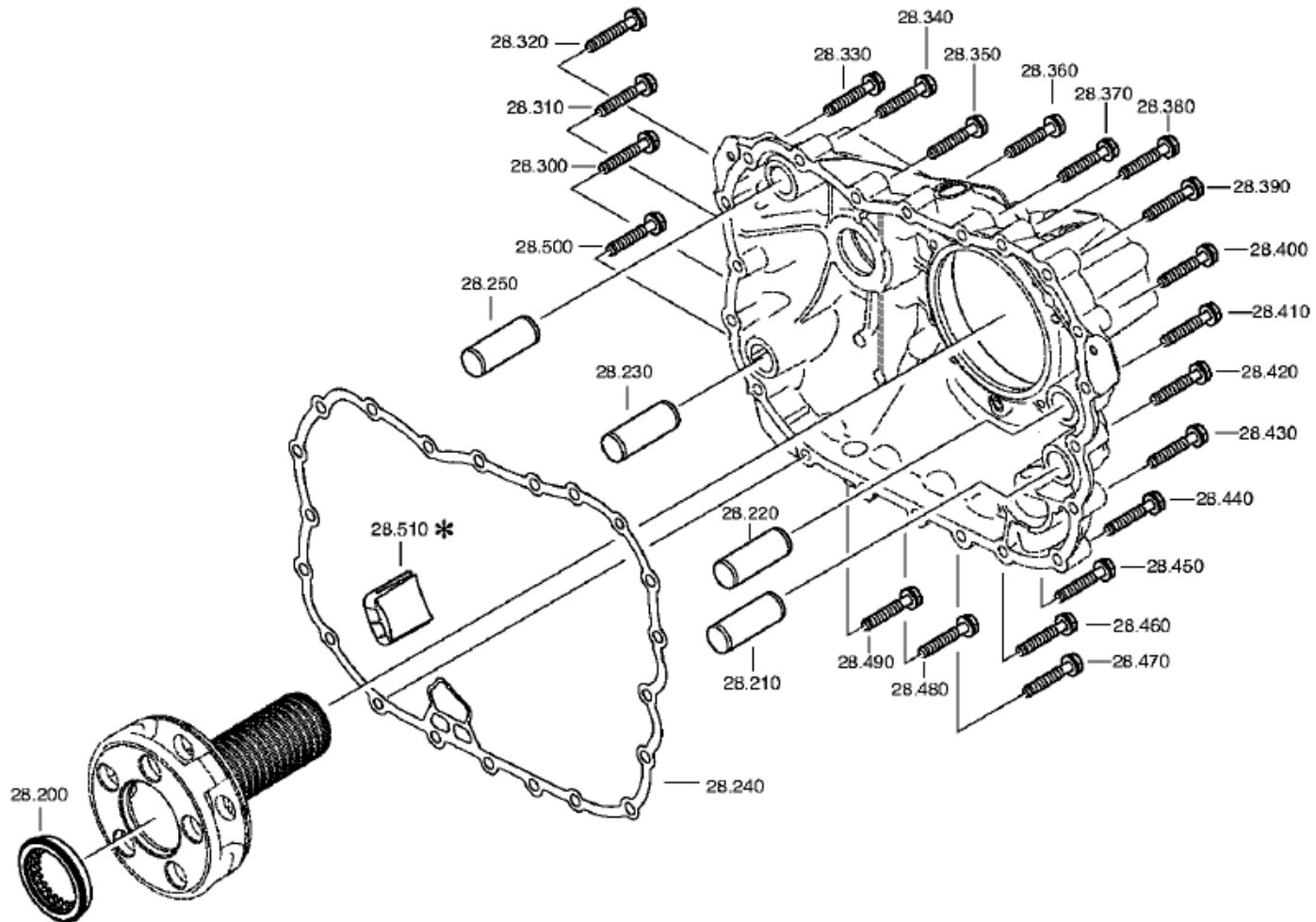
Material number: 1356.001.040

Plant: 161.28.01-1

Material-assembly-group-no: 1325.128.806



16 S 2230 TD /  
PLANETARY RANGE



# Parts list

Page 1 from 1



16 S 2230 TD /

Material number: 1356.001.040

Plant: 161.28.01-1

Material-assembly-group-no: 1325.128.806

Pos.	Material number	Customer material	Name	Quantity	ME	Amend. no.	Techn. Info.	Rep kit	Alternative material
200	1315.332.054		PRESSURE DISK	1			ENTHALT.IN 1316 332 074(1)		
210	0731.300.002		CYLINDRICAL PIN	1					
220	0731.300.002		CYLINDRICAL PIN	1					
230	0731.300.002		CYLINDRICAL PIN	1					
240	0501.323.705	1825386	GASKET	1					
250	0731.300.002		CYLINDRICAL PIN	1					
300	0636.016.405		HEXAGON SCREW	1		Z00007060111	M10X60		
310	0636.016.405		HEXAGON SCREW	1		Z00007060111	M10X60		
320	0636.016.405		HEXAGON SCREW	1		Z00007060111	M10X60		
330	0636.016.405		HEXAGON SCREW	1		Z00007060111	M10X60		
340	0636.016.405		HEXAGON SCREW	1		Z00007060111	M10X60		
350	0636.016.405		HEXAGON SCREW	1		Z00007060111	M10X60		
360	0636.016.405		HEXAGON SCREW	1		Z00007060111	M10X60		
370	0636.016.405		HEXAGON SCREW	1		Z00007060111	M10X60		
380	0636.016.405		HEXAGON SCREW	1		Z00007060111	M10X60		
390	0636.016.405		HEXAGON SCREW	1		Z00007060111	M10X60		
400	0636.016.405		HEXAGON SCREW	1		Z00007060111	M10X60		
410	0636.016.405		HEXAGON SCREW	1		Z00007060111	M10X60		
420	0636.016.405		HEXAGON SCREW	1		Z00007060111	M10X60		
430	0636.016.405		HEXAGON SCREW	1		Z00007060111	M10X60		
440	0636.016.405		HEXAGON SCREW	1		Z00007060111	M10X60		
450	0636.016.405		HEXAGON SCREW	1		Z00007060111	M10X60		
460	0636.016.405		HEXAGON SCREW	1		Z00007060111	M10X60		
470	0636.016.405		HEXAGON SCREW	1		Z00007060111	M10X60		
480	0636.016.405		HEXAGON SCREW	1		Z00007060111	M10X60		
490	0636.016.405		HEXAGON SCREW	1		Z00007060111	M10X60		
500	0636.016.405		HEXAGON SCREW	1		Z00007060111	M10X60		

# Plant

Page 1 from 2

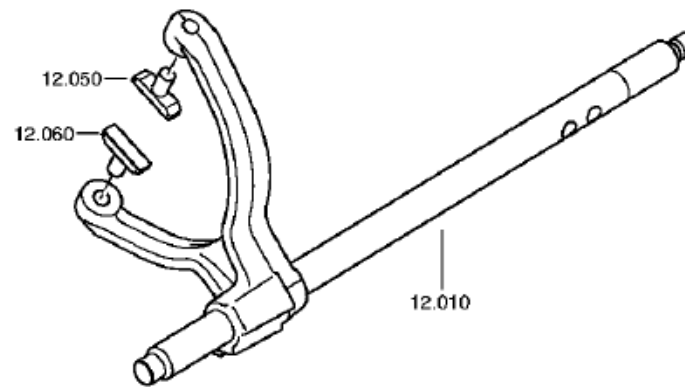
Material number: 1356.001.040

Plant: 161.40.01-1

GV-SHIFT SYSTEM



16 S 2230 TD /  
GV-SHIFT SYSTEM



# Plant

Page 2 from 2

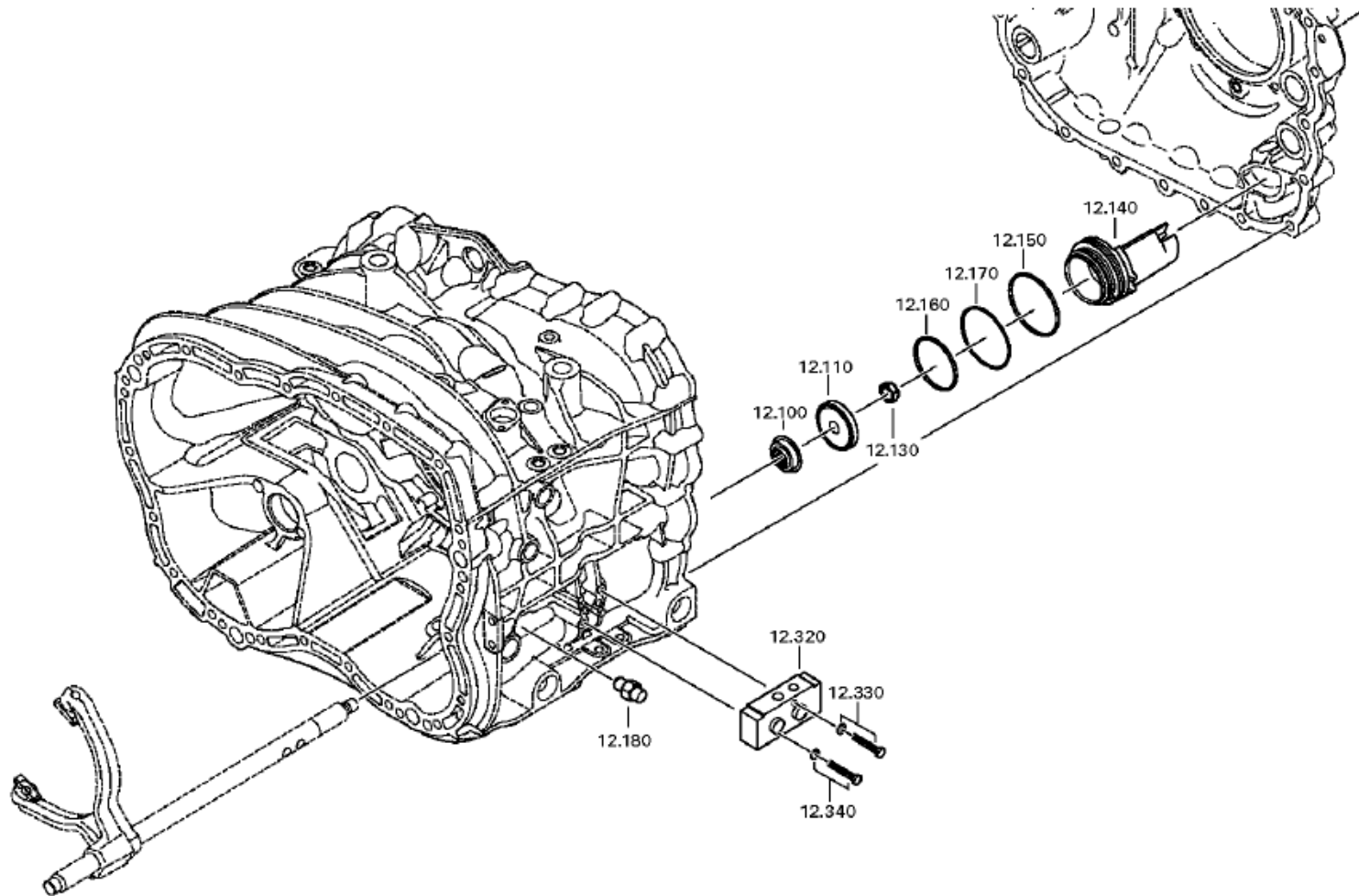
Material number: 1356.001.040

Plant: 161.40.80-1

GV-SHIFT SYSTEM



16 S 2230 TD /  
GV-SHIFT SYSTEM



# Parts list

Page 1 from 1



16 S 2230 TD /

Material number: 1356.001.040

Plant: 161.40.01-1

Material-assembly-group-no: 1356.112.001

Pos.	Material number	Customer material	Name	Quantity	ME	Amend. no.	Techn. Info.	Rep kit	Alternative material
10	1356.212.002	1831972	GEAR SHIFT RAIL	1			KPL.GV*E32 LANG*16 GANG		
50	1316.306.015	5 5342 0	SLIDING PAD	1					
60	1316.306.015	5 5342 0	SLIDING PAD	1					
100	0750.112.131	8 8342 0	FLANGE PACKING	1		Z00012212711	25X40X15		
110	0501.324.670	1887735	PISTON	1		Z00012212711			
130	0737.300.037	1874075	LOCKING NUT	1			MS16X1,5		
140	1325.312.012		CYLINDER	1		Z00012212711			
150	0634.313.018		O-RING	1		Z00012212711	82X3		
160	0634.313.320	8 8327 0	O-RING	1		Z00012212711	67X3		
170	1315.312.034		SPRING	1		Z00012212711			
180	---		DETENT PLUNGER	1		Z00012212711	235N*50N.M		
---	1324.207.033	H0472564	DETENT PLUNGER	1			KPL. *235 N		
---	0730.008.604	1638154	SEALING RING	1		C01009860C10			
300	0637.510.665		PLUG	1		Z00012212711	M10X1		
320	0501.219.310	1897664	5/2 WAY VALVE	1		Z00015060511			
330	0636.100.468	1897021	SCREW WITH WASHER ASSEMBLY	1		Z00011778410	M6X40		
340	0636.100.468	1897021	SCREW WITH WASHER ASSEMBLY	1		Z00011778410	M6X40		

# Plant

Page 1 from 2

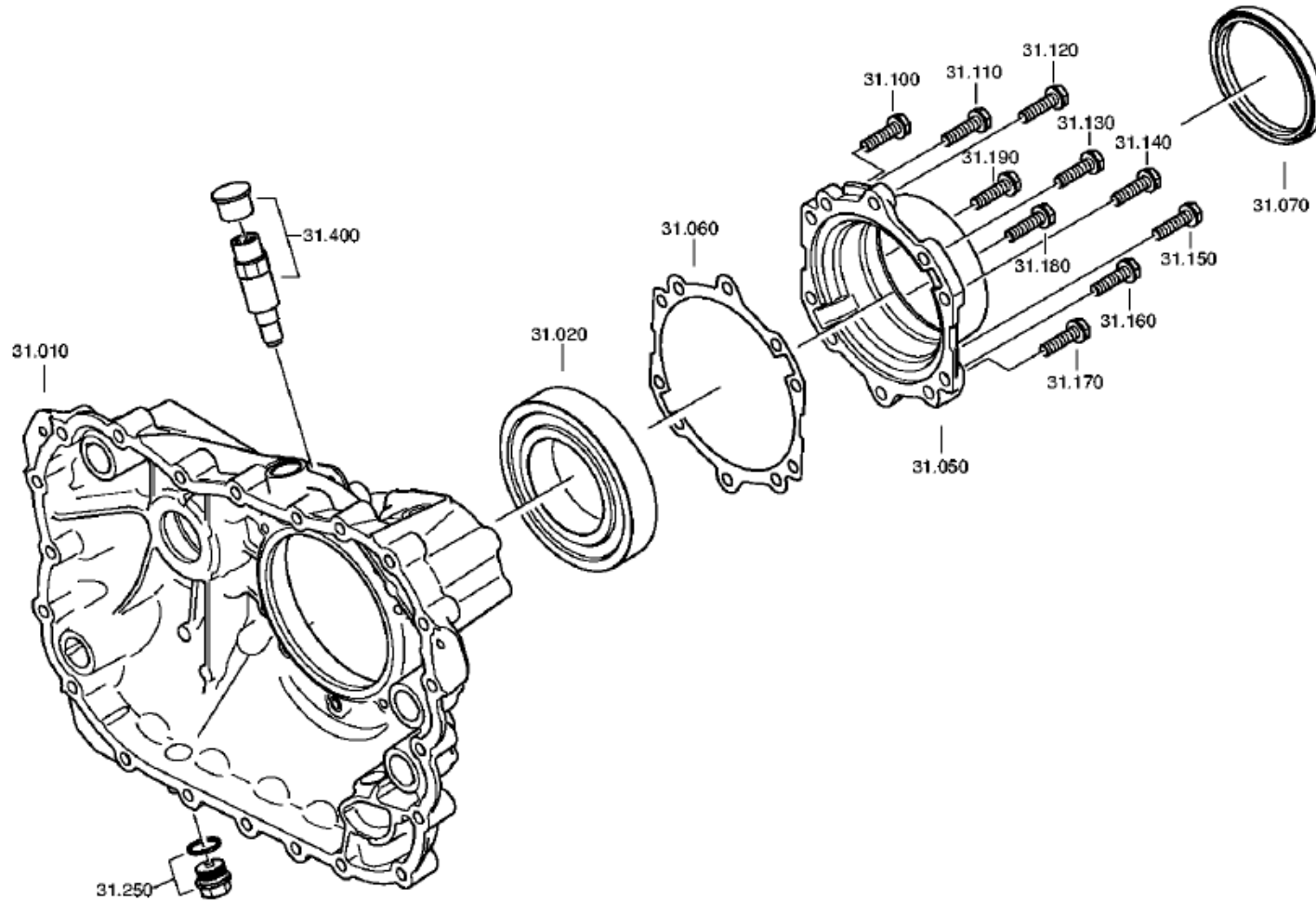
Material number: 1356.001.040

Plant: 161.43.01-1

RC HOUSING



16 S 2230 TD /  
RC HOUSING





# Plant

Page 2 from 2

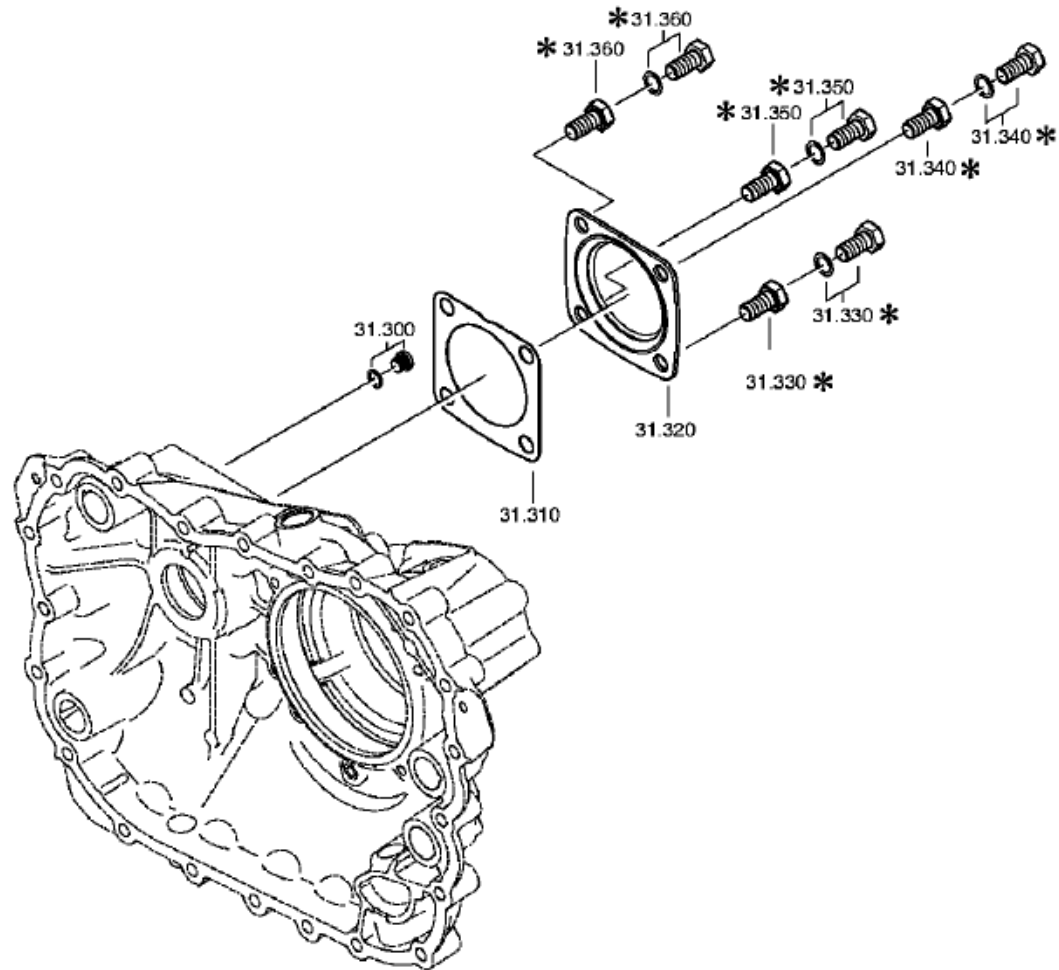
Material number: 1356.001.040

Plant: 161.43.40-1

RC HOUSING



16 S 2230 TD /  
RC HOUSING



# Parts list

Page 1 from 1



16 S 2230 TD /

Material number: 1356.001.040

Plant: 161.43.01-1

Material-assembly-group-no: 1325.131.009

Pos.	Material number	Customer material	Name	Quantity	ME	Amend. no.	Techn. Info.	Rep kit	Alternative material
10	1325.301.065		TRANSMISSION HOUSING	1					
20	0750.116.394	5 8092 0	BALL BEARING	1			90,0X160,0X30,0		
50	1325.331.001		COVER	1					
60	0501.331.906		GASKET	1		Z00024187410			
70	---		SHAFT SEAL	1		Z00020928810			
---	0734.300.421		SHAFT SEAL	1			105X125X12/16		
100	0636.100.433		HEXAGON SCREW	1		Z00009178010	M10X40		
110	0636.100.433		HEXAGON SCREW	1		Z00009178010	M10X40		
120	0636.100.433		HEXAGON SCREW	1		Z00009178010	M10X40		
130	0636.100.433		HEXAGON SCREW	1		Z00009178010	M10X40		
140	0636.100.433		HEXAGON SCREW	1		Z00009178010	M10X40		
150	0636.100.433		HEXAGON SCREW	1		Z00009178010	M10X40		
160	0636.100.433		HEXAGON SCREW	1		Z00009178010	M10X40		
170	0636.100.433		HEXAGON SCREW	1		Z00009178010	M10X40		
180	0636.100.433		HEXAGON SCREW	1		Z00009178010	M10X40		
190	0636.100.433		HEXAGON SCREW	1		Z00009178010	M10X40		
250	---		SCREW PLUG	1		Z00010176111	M24X1,5		
---	0736.300.160	4471982.1	SCREW PLUG	1		Z00010176110	M24X1,5 M24X1,5		
---	0730.008.637	1428103	SEALING RING	1		Z00010176110	24X29		
300	---		SCREW PLUG	1		C01004359F10	15N.M*DICHTRING M10X1		
---	0636.100.793		SCREW PLUG	1		Z00010111613	M10X1		
---	0730.008.055		SEALING RING	1			10X14		
310	1238.308.201	5006880	GASKET	1			ENTHALT.IN 1238 308 202(2)		
320	1328.301.170	1878388	COVER	1		Z00008068010			
330	0636.016.406		HEXAGON SCREW	1		Z00007061014	M12X25		
340	0636.016.406		HEXAGON SCREW	1		Z00007061014	M12X25		
350	0636.016.406		HEXAGON SCREW	1		Z00007061014	M12X25		
360	0636.016.406		HEXAGON SCREW	1		Z00007061014	M12X25		
400	---		PULSE SENSOR	1		Z00007337710	L= 35,0*35N.M*O.DICHTRING*BAJO* KITAS*SCHUTZKAPPE*FLAE DICHT		
---	0501.220.123		PULSE SENSOR	1		Z00016413614			

# Plant

Page 1 from 2

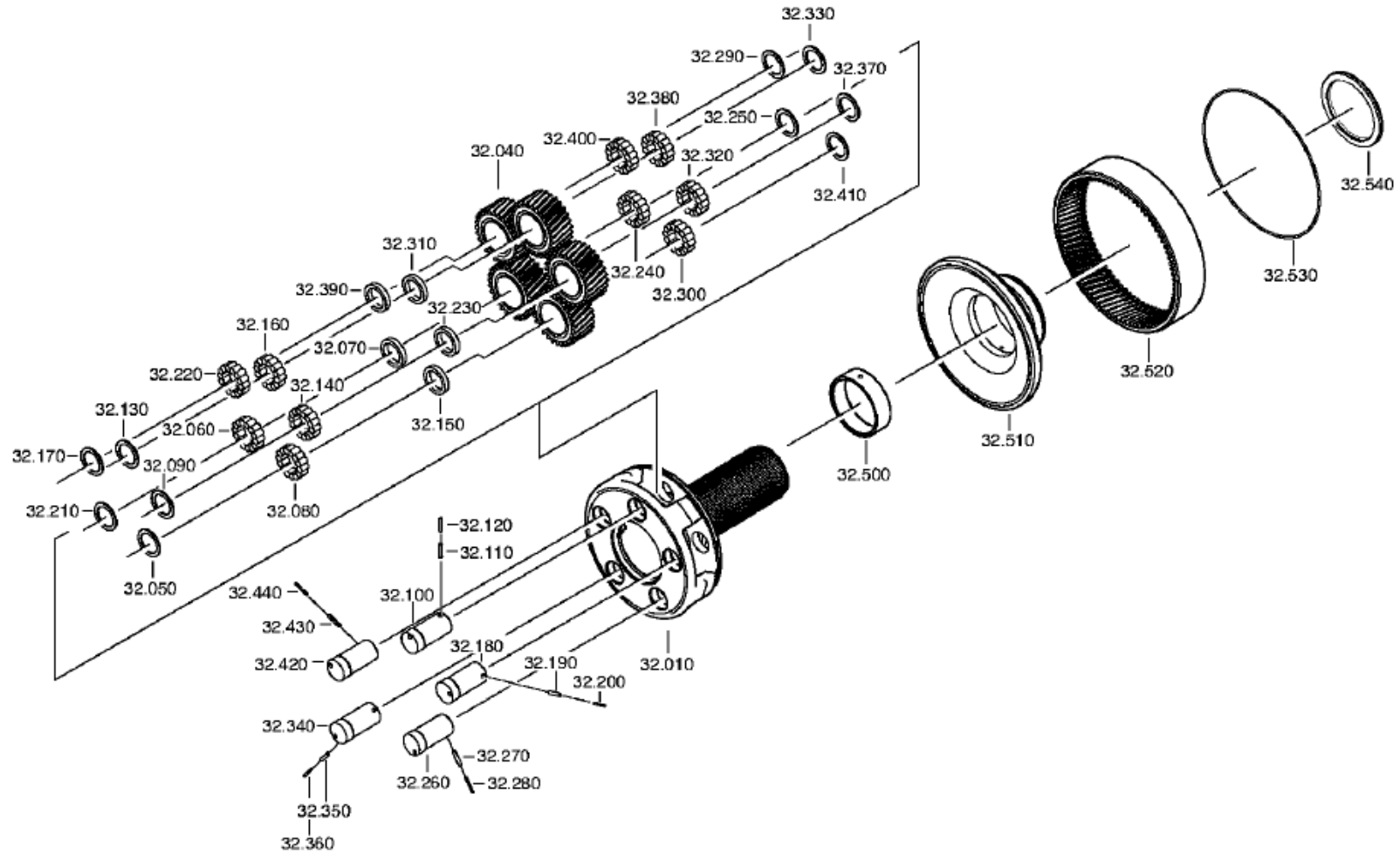
Material number: 1356.001.040

Plant: 161.44.01-1

PLANETARY DRIVE



16 S 2230 TD /  
PLANETARY DRIVE



# Plant

Page 2 from 2

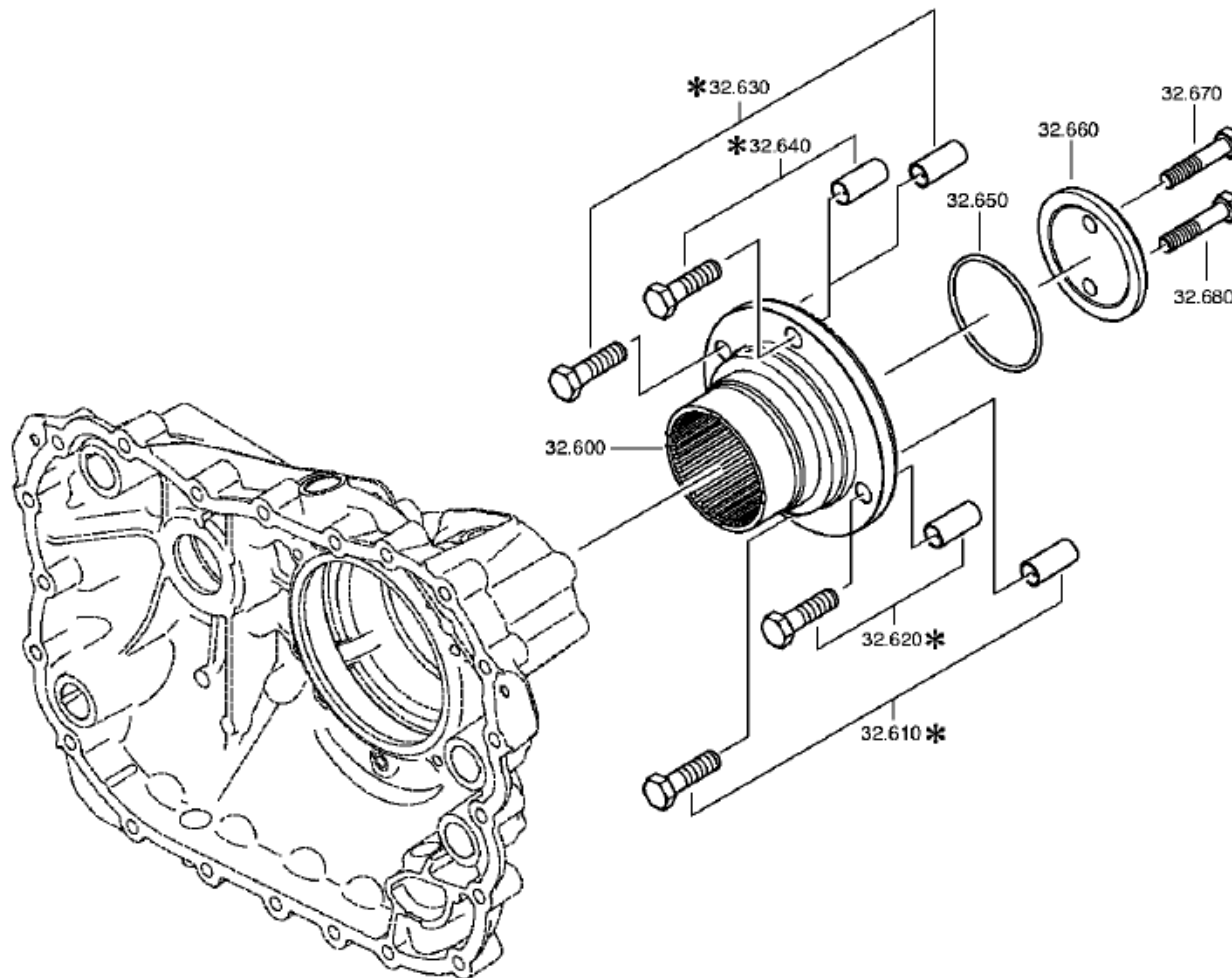
Material number: 1356.001.040

Plant: 161.44.40-1

PLANETARY DRIVE



16 S 2230 TD /  
PLANETARY DRIVE



# Parts list

Page 1 from 2



16 S 2230 TD /

Material number: 1356.001.040

Plant: 161.44.01-1

Material-assembly-group-no: 1325.132.003

Pos.	Material number	Customer material	Name	Quantity	ME	Amend. no.	Techn. Info.	Rep kit	Alternative material
10	1316.232.039		PLANET CARRIER	1		Z00014438013			
40	1316.232.011	5 5870 0	PLANET GEAR SET	1			KPL.		
50	0730.109.323	H0223698	INTERMEDIATE WASHER	1			A=2,30 IN 0730 105 951(2)		
60	1325.232.001		ROLLER	1			KPL.SATZ*PLANETENRAD		
70	0730.109.309	H0223831	INTERMEDIATE WASHER	1			A=7,90 IN 0730 105 951(2)		
80	1325.232.001		ROLLER	1			KPL.SATZ*PLANETENRAD		
90	0730.109.323	H0223698	INTERMEDIATE WASHER	1			A=2,30 IN 0730 105 951(2)		
100	1316.332.140	1904782	PLANET SHAFT	1		Z00014438013			
110	0631.329.147		SLOTTED PIN	1			6X26		
120	0631.329.261	1909946	SLOTTED PIN	1			3,5X26		
130	0730.109.323	H0223698	INTERMEDIATE WASHER	1			A=2,30 IN 0730 105 951(2)		
140	1325.232.001		ROLLER	1			KPL.SATZ*PLANETENRAD		
150	0730.109.309	H0223831	INTERMEDIATE WASHER	1			A=7,90 IN 0730 105 951(2)		
160	1325.232.001		ROLLER	1			KPL.SATZ*PLANETENRAD		
170	0730.109.323	H0223698	INTERMEDIATE WASHER	1			A=2,30 IN 0730 105 951(2)		
180	1316.332.140	1904782	PLANET SHAFT	1		Z00014438013			
190	0631.329.147		SLOTTED PIN	1			6X26		
200	0631.329.261	1909946	SLOTTED PIN	1			3,5X26		
210	0730.109.323	H0223698	INTERMEDIATE WASHER	1			A=2,30 IN 0730 105 951(2)		
220	1325.232.001		ROLLER	1			KPL.SATZ*PLANETENRAD		
230	0730.109.309	H0223831	INTERMEDIATE WASHER	1			A=7,90 IN 0730 105 951(2)		
240	1325.232.001		ROLLER	1			KPL.SATZ*PLANETENRAD		
250	0730.109.323	H0223698	INTERMEDIATE WASHER	1			A=2,30 IN 0730 105 951(2)		
260	1316.332.140	1904782	PLANET SHAFT	1		Z00014438013			
270	0631.329.147		SLOTTED PIN	1			6X26		
280	0631.329.261	1909946	SLOTTED PIN	1			3,5X26		
290	0730.109.323	H0223698	INTERMEDIATE WASHER	1			A=2,30 IN 0730 105 951(2)		
300	1325.232.001		ROLLER	1			KPL.SATZ*PLANETENRAD		
310	0730.109.309	H0223831	INTERMEDIATE WASHER	1			A=7,90 IN 0730 105 951(2)		
320	1325.232.001		ROLLER	1			KPL.SATZ*PLANETENRAD		
330	0730.109.323	H0223698	INTERMEDIATE WASHER	1			A=2,30 IN 0730 105 951(2)		
340	1316.332.140	1904782	PLANET SHAFT	1		Z00014438013			
350	0631.329.147		SLOTTED PIN	1			6X26		
360	0631.329.261	1909946	SLOTTED PIN	1			3,5X26		

# Parts list

Page 2 from 2



16 S 2230 TD /

Material number: 1356.001.040

Plant: 161.44.01-1

Material-assembly-group-no: 1325.132.003

Pos.	Material number	Customer material	Name	Quantity	ME	Amend. no.	Techn. Info.	Rep kit	Alternative material
370	0730.109.323	H0223698	INTERMEDIATE WASHER	1			A=2,30 IN 0730 105 951(2)		
380	1325.232.001		ROLLER	1			KPL.SATZ*PLANETENRAD		
390	0730.109.309	H0223831	INTERMEDIATE WASHER	1			A=7,90 IN 0730 105 951(2)		
400	1325.232.001		ROLLER	1			KPL.SATZ*PLANETENRAD		
410	0730.109.323	H0223698	INTERMEDIATE WASHER	1			A=2,30 IN 0730 105 951(2)		
420	1316.332.140	1904782	PLANET SHAFT	1		Z00014438013			
430	0631.329.147		SLOTTED PIN	1			6X26		
440	0631.329.261	1909946	SLOTTED PIN	1			3,5X26		
500	1325.332.011		BUSH	1					
510	1316.332.130	1808019	RING GEAR CARRIER	1					
520	1315.332.041	5 5867 0	RING GEAR	1			IN 1316 332 055(1)		
530	0730.513.583		LOCKING WIRE	1			A=3,20 IN 0730 505 052(2)		
540	0735.298.169	5 8159 0	AXIAL NEEDLE BEARING	1			104,5X128,4X10,0 FA.INA		
600	1325.332.032		OUTPUT FLANGE	1		Z00020928810			
650	0634.313.805	1351646	O-RING	1			82X4		
660	1312.332.028		WASHER	1					
670	0636.011.777		HEXAGON SCREW	1		Z00007292012	M12X60		
680	0636.011.777		HEXAGON SCREW	1		Z00007292012	M12X60		

# Plant

Page 1 from 1

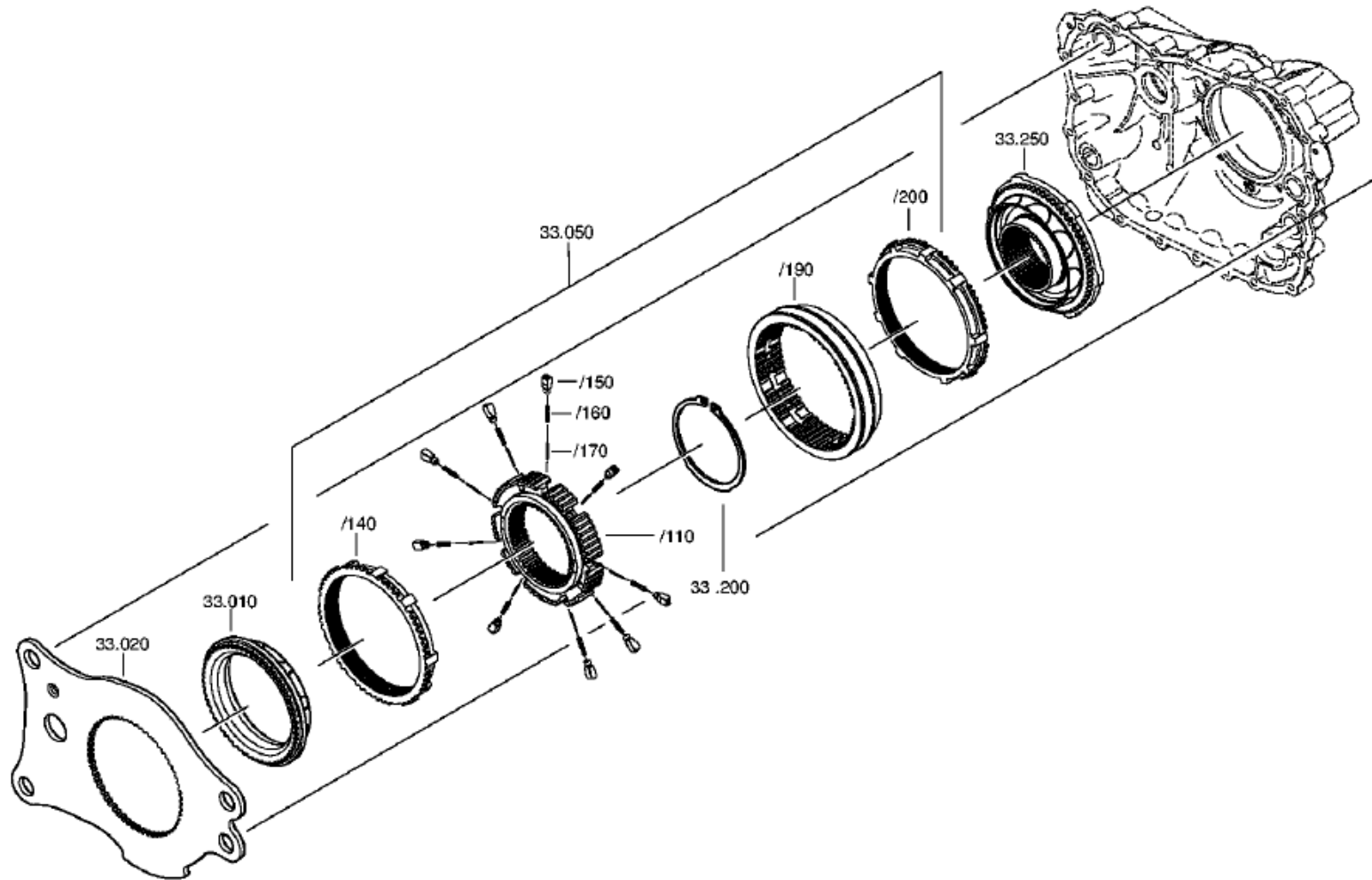
Material number: 1356.001.040

Plant: 161.45.01-1

Material-assembly-group-no: 1325.133.004



16 S 2230 TD /  
SYNCHRONIZER



# Parts list

Page 1 from 1



16 S 2230 TD /

Material number: 1356.001.040

Plant: 161.45.01-1

Material-assembly-group-no: 1325.133.004

Pos.	Material number	Customer material	Name	Quantity	ME	Amend. no.	Techn. Info.	Rep kit	Alternative material
10	1296.333.050	5 5302 0	CLUTCH BODY	1			ENTHALT.IN 1296.333.053(1)		
20	1325.333.016	1874356	PLATE	1					
50	1325.233.008		SYNCHRONIZER	1			KPL.GP*DRUCKGUSS		
/110	1313.333.001		SYNCHRO.BODY	1			ENTHALT.IN 1296 333 014(1)		
/140	1296.333.045	5 5301 0	SYNCHRO.RING	1					
/150	1240.304.278	3362640239	PRESSURE PART	9					
/160	0732.040.385	3362640693	COMPRESSION SPRING	9					
/170	0732.040.386	3362640793	COMPRESSION SPRING	9					
/190	1325.333.018	1831914	SLIDING SLEEVE	1					
/200	1296.333.045	5 5301 0	SYNCHRO.RING	1					
200	0630.501.175	0692274	RETAINING RING	1			125X3,7		
250	1325.233.007	1831953	CLUTCH BODY	1			KPL.		



# Plant

Page 1 from 2

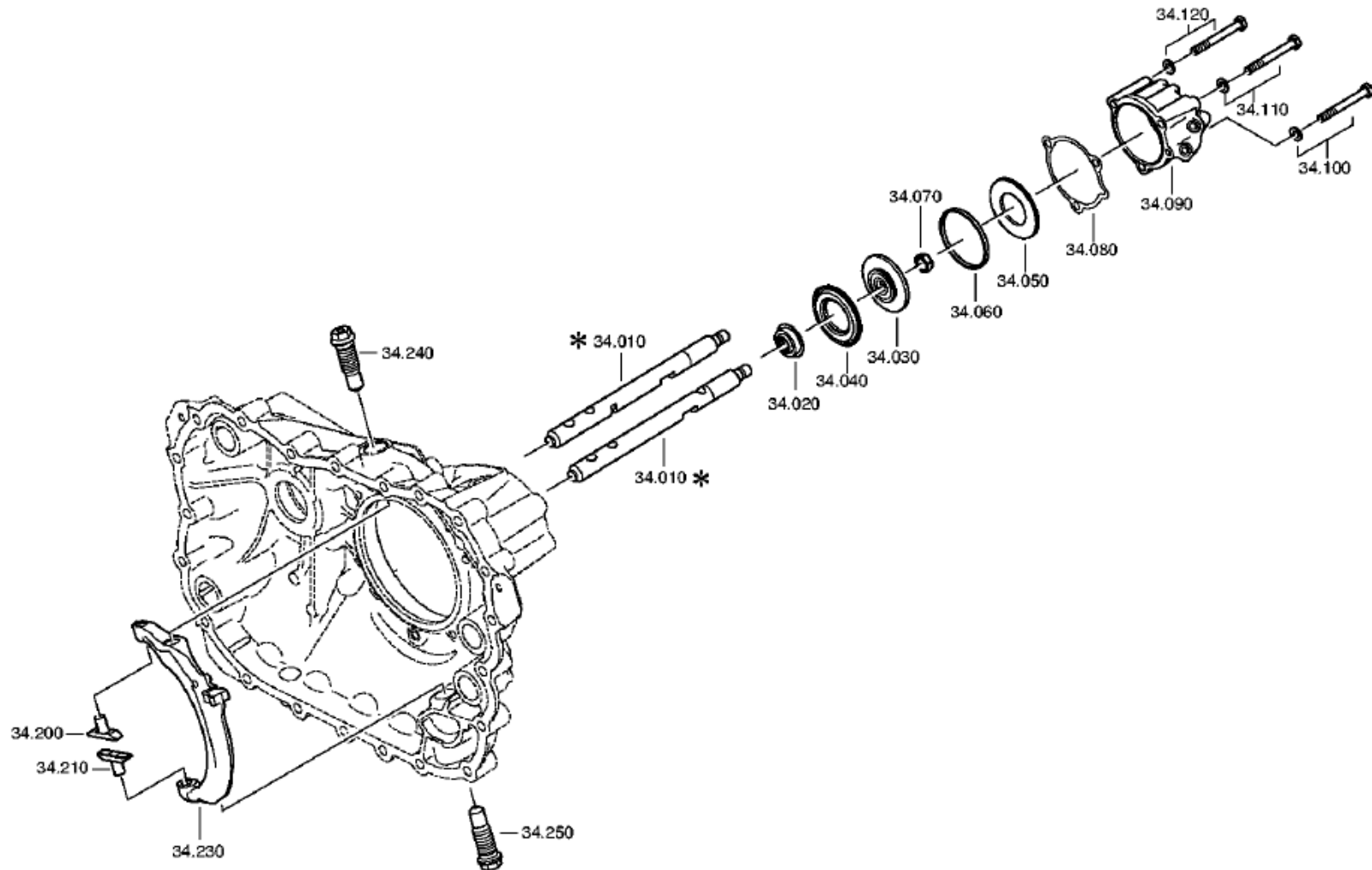
Material number: 1356.001.040

Plant: 161.46.01-1

GP SHIFT SYSTEM



16 S 2230 TD /  
GP SHIFT SYSTEM



# Plant

Page 2 from 2

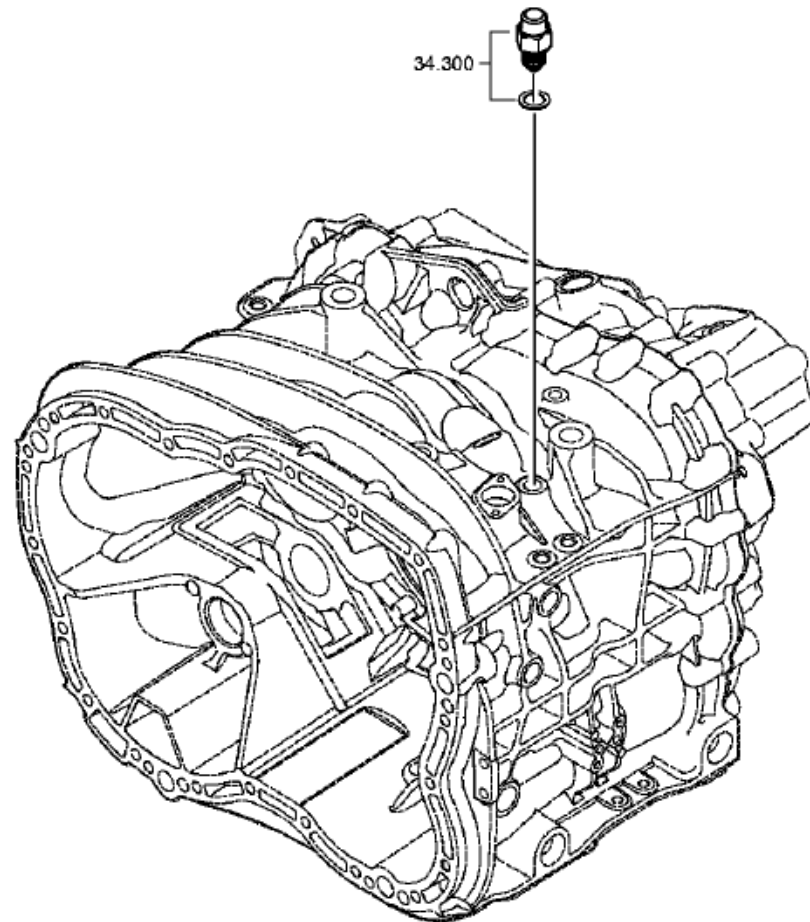
Material number: 1356.001.040

Plant: 161.46.42-1

GP SHIFT SYSTEM



16 S 2230 TD /  
GP SHIFT SYSTEM



# Parts list

Page 1 from 1



16 S 2230 TD /

Material number: 1356.001.040

Plant: 161.46.01-1

Material-assembly-group-no: 1325.134.006

Pos.	Material number	Customer material	Name	Quantity	ME	Amend. no.	Techn. Info.	Rep kit	Alternative material
10	1325.334.017	1831952	GEAR SHIFT RAIL	1					
20	0750.112.253	5 8342 0	FLANGE PACKING	1			25X40X15		
30	---		PISTON	1			GP		
---	1315.334.034		PISTON	1			ENTHALT.IN 1315 334 040(2)		
---	1315.334.063		PISTON	1					
40	0734.307.294	5 8400 0	SEALING RING	1			49X91X7,4 FA.KACO		
50	0734.307.294	5 8400 0	SEALING RING	1			49X91X7,4 FA.KACO		
60	0750.112.066	5 5131 0	GUIDE RING	1					
70	0737.300.037	1874075	LOCKING NUT	1			MS16X1,5		
80	0501.322.778	1831950	GASKET	1					
90	1325.334.013	1831951	CYLINDER	1			GP		
100	---		HEXAGON SCREW	1		Z00007349210	M10X90		
---	0636.015.688	1896739	HEXAGON SCREW	1		Z00007349212	M10X90		
---	0630.100.294	1894557	WASHER	1		Z00007158111			
110	---		HEXAGON SCREW	1		Z00007349210	M10X90		
---	0636.015.688	1896739	HEXAGON SCREW	1		Z00007349212	M10X90		
---	0630.100.294	1894557	WASHER	1		Z00007158111			
120	---		HEXAGON SCREW	1		Z00007349210	M10X90		
---	0636.015.688	1896739	HEXAGON SCREW	1		Z00007349212	M10X90		
---	0630.100.294	1894557	WASHER	1		Z00007158111			
200	1325.334.008	1831949	SLIDING PAD	1			GP		
210	1325.334.008	1831949	SLIDING PAD	1			GP		
230	1325.334.007	1831948	GEARSHIFT FORK	1			GP		
240	---		SWIVEL SCREW	1			O.SCHEIBE M24X1,5 SK6		
---	1315.334.074	1877888	SWIVEL SCREW	1		Z00004075610			
250	---		SWIVEL SCREW	1			O.SCHEIBE M24X1,5 SK6		
---	1315.334.074	1877888	SWIVEL SCREW	1		Z00004075610			
300	---		DETENT PLUNGER	1			145N*50N.M		
---	1324.207.035	H0472239	DETENT PLUNGER	1			KPL. *145 N		
---	0730.008.604	1638154	SEALING RING	1					

# Plant

Page 1 from 1

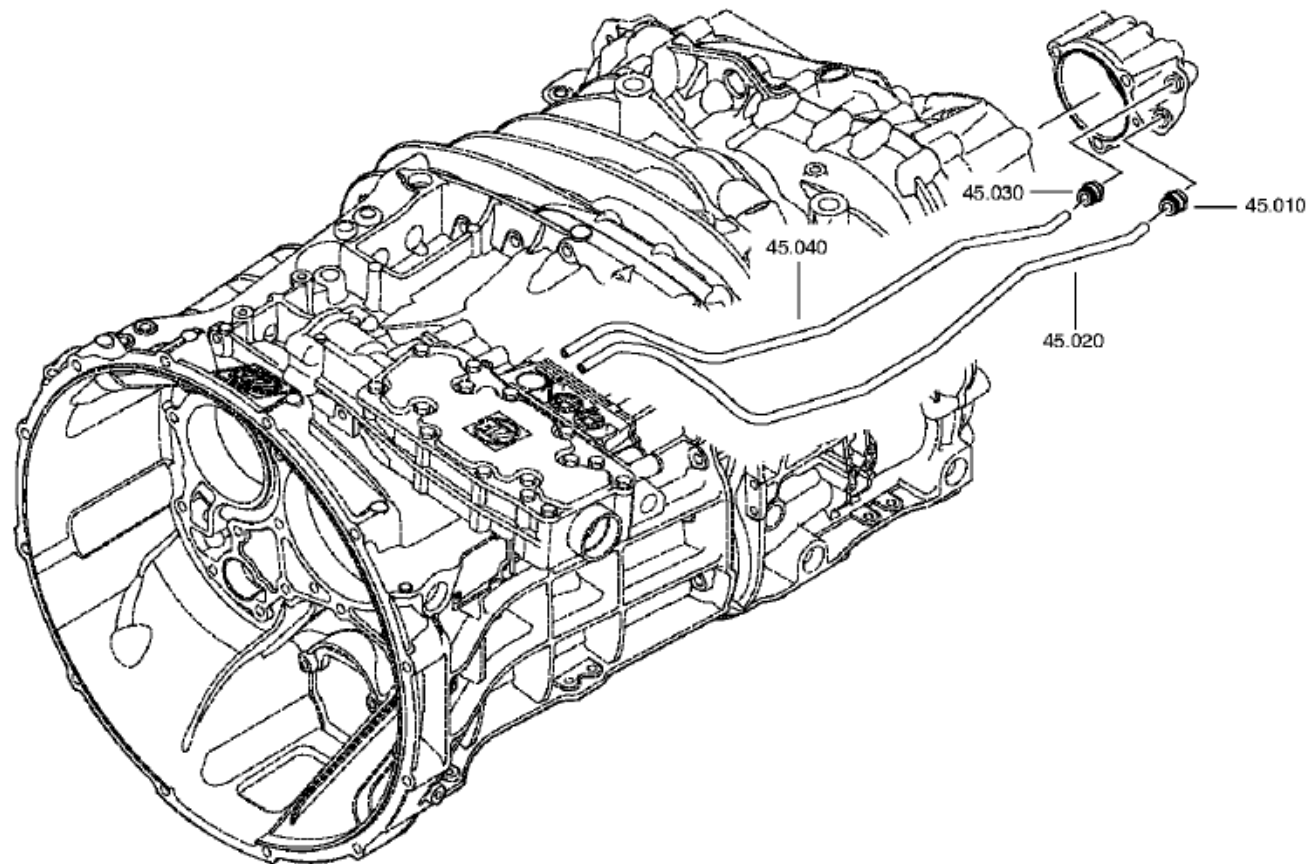
Material number: 1356.001.040

Plant: 161.57.01-1

Material-assembly-group-no: 1325.145.003



16 S 2230 TD /  
RANGE SELECTION



# Parts list

Page 1 from 1



Material number: 1356.001.040

Plant: 161.57.01-1

Material-assembly-group-no: 1325.145.003

16 S 2230 TD /

Pos.	Material number	Customer material	Name	Quantity	ME	Amend. no.	Techn. Info.	Rep kit	Alternative material
10	0501.324.029		PLUG-IN COUPLING	1					
20	1325.345.006		TUBE	1			E13MP		
30	0501.324.029		PLUG-IN COUPLING	1					
40	1325.345.007		TUBE	1			E13MP		

# Plant

Page 1 from 1

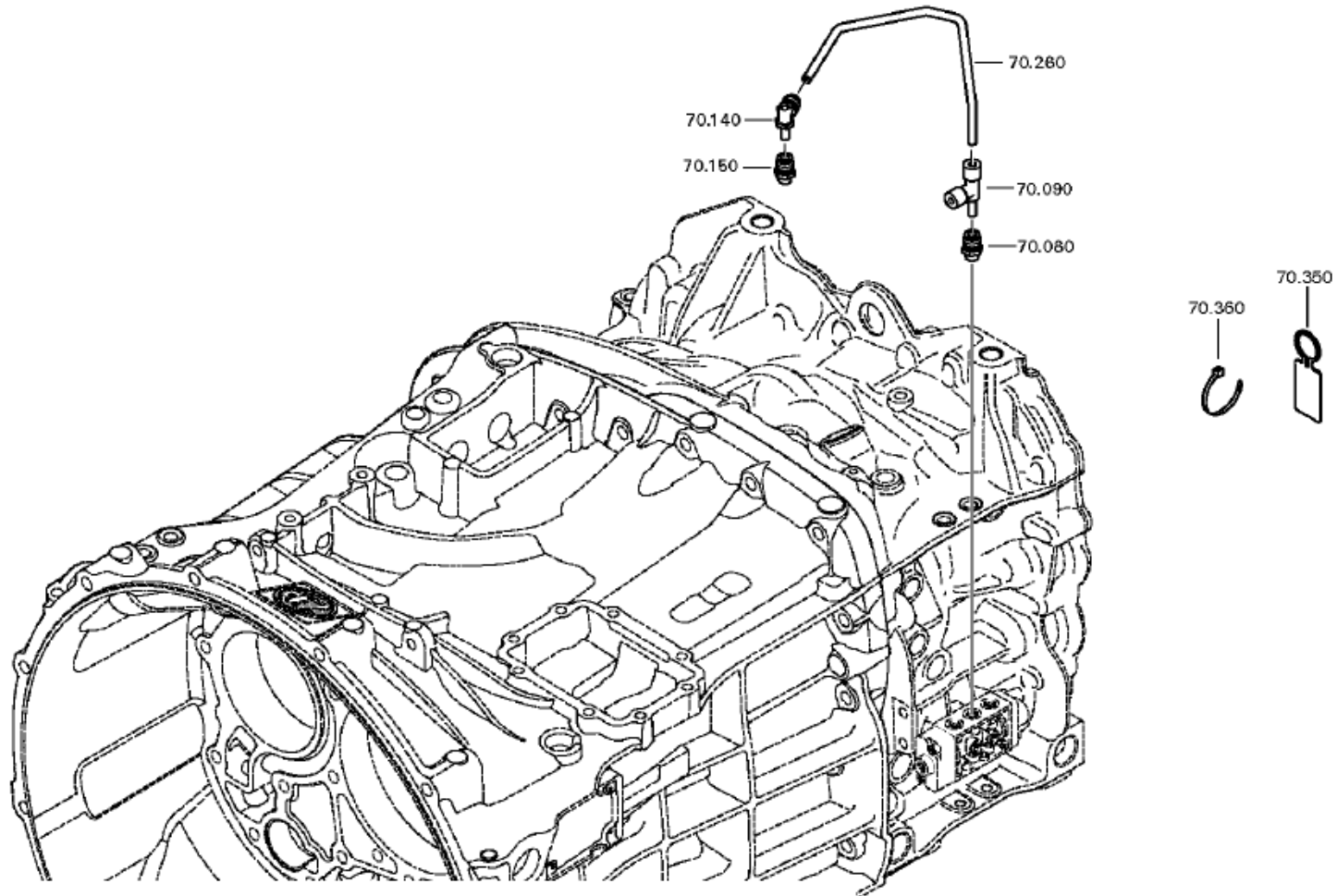
Material number: 1356.001.040

Plant: 161.70.08-1

Material-assembly-group-no: 1356.170.011



16 S 2230 TD /  
SHUT-OFF VALVE



# Parts list

Page 1 from 1



16 S 2230 TD /

Material number: 1356.001.040

Plant: 161.70.08-1

Material-assembly-group-no: 1356.170.011

Pos.	Material number	Customer material	Name	Quantity	ME	Amend. no.	Techn. Info.	Rep kit	Alternative material
80	0501.324.477		PLUG-IN COUPLING	1		Z00005995110	M12X1,5 ROHR 8MM		
90	0501.324.457		PLUG-IN COUPLING	1		Z00005995110			
92	0637.510.118		PROTECTING SLEEVE	1		Z00005995110			
140	0501.324.666		PLUG-IN COUPLING	1		Z00005995110	M12X1,5 ROHR 8MM DROSSEL		
150	0501.324.456		PLUG-IN COUPLING	1		Z00005995110			
260	1325.345.028		TUBE	1		Z00005995110			
350	1315.301.221		PLATE	1		Z00005995110			
360	0659.160.081		CABLE CLIP	1		Z00005995110	4,7X210		

# Plant

Page 1 from 1

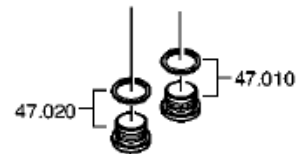
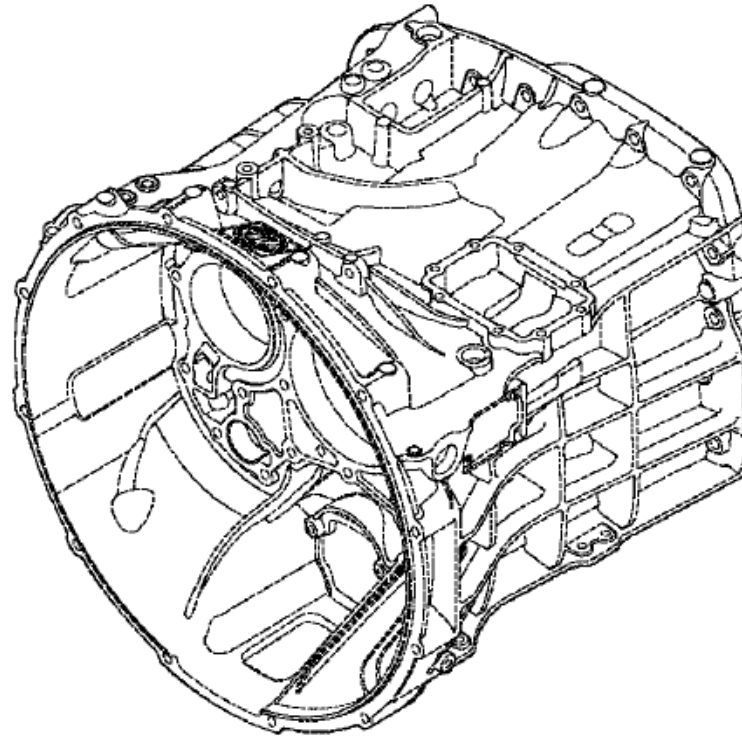
Material number: 1356.001.040

Plant: 161.90.08

Material-assembly-group-no: 1325.147.009



16 S 2230 TD /  
SCREW PLUG





# Parts list

Page 1 from 1



16 S 2230 TD /

Material number: 1356.001.040

Plant: 161.90.08

Material-assembly-group-no: 1325.147.009

Pos.	Material number	Customer material	Name	Quantity	ME	Amend. no.	Techn. Info.	Rep kit	Alternative material
10	---		SCREW PLUG	1		Z00010164013	50N.M*DICHTRING M22X1,5		
---	0636.100.824		SCREW PLUG	1		Z00010164019	M22X1,5		
---	0730.009.515	0730009515	SEALING RING	1		Z00010164019	A22X27		
20	---		SCREW PLUG	1		Z00010164013	50N.M*DICHTRING M22X1,5		
---	0636.100.824		SCREW PLUG	1		Z00010164019	M22X1,5		
---	0730.009.515	0730009515	SEALING RING	1		Z00010164019	A22X27		

# Plant

Page 1 from 1

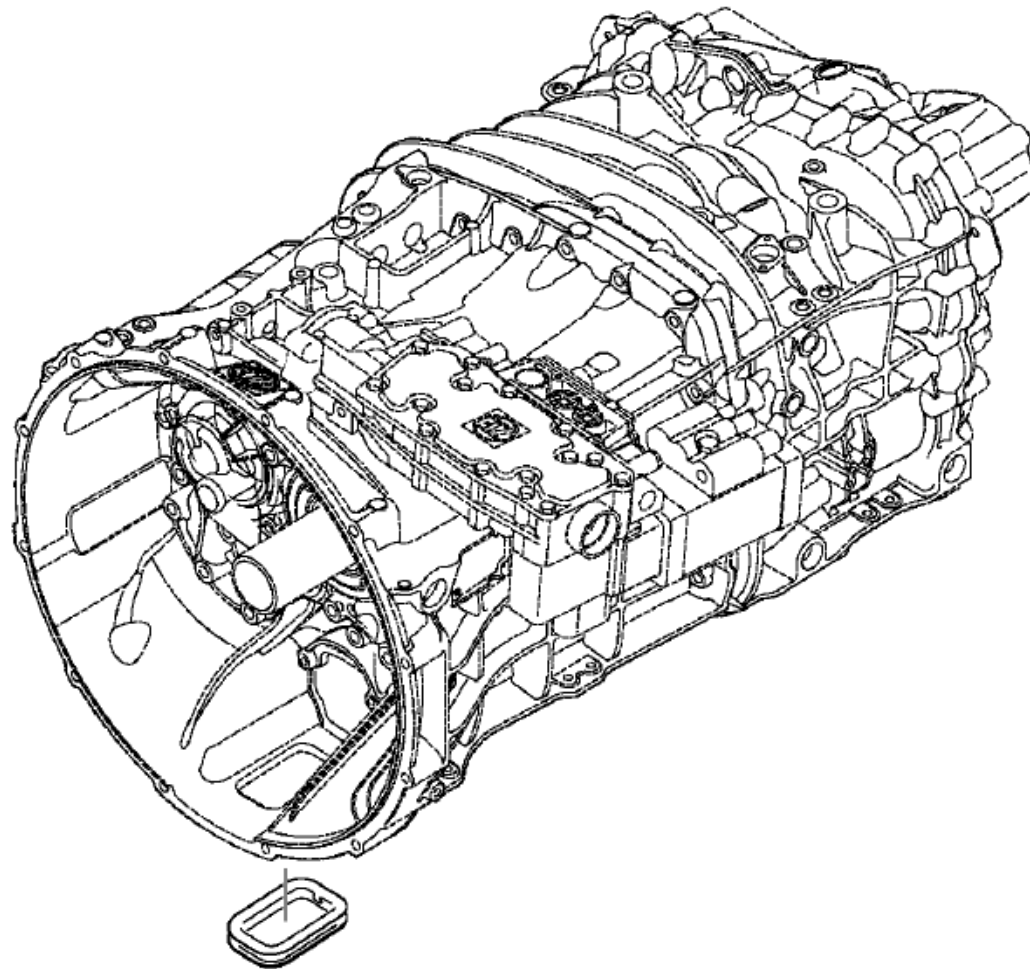
Material number: 1356.001.040

Plant: 161.93.17-1

Material-assembly-group-no: 1315.301.230



16 S 2230 TD /  
PROTECTION CAP



# Parts list

Page 1 from 1



16 S 2230 TD /

Material number: 1356.001.040

Plant: 161.93.17-1

Material-assembly-group-no: 1315.301.230

Pos.	Material number	Customer material	Name	Quantity	ME	Amend. no.	Techn. Info.	Rep kit	Alternative material
262	1315.301.230	1454283	PROTECTION CAP	1					