



# Spare Parts Catalog

16 S 1920 TD

Material number: 1342.001.001

Current date: 02.10.2013

ZF Friedrichshafen AG  
Hauptverwaltung  
80038 Friedrichshafen  
Deutschland

Telefon: +49 7541 77-0

Telefax: +49 7541 77-908000

[www.zf.com](http://www.zf.com)

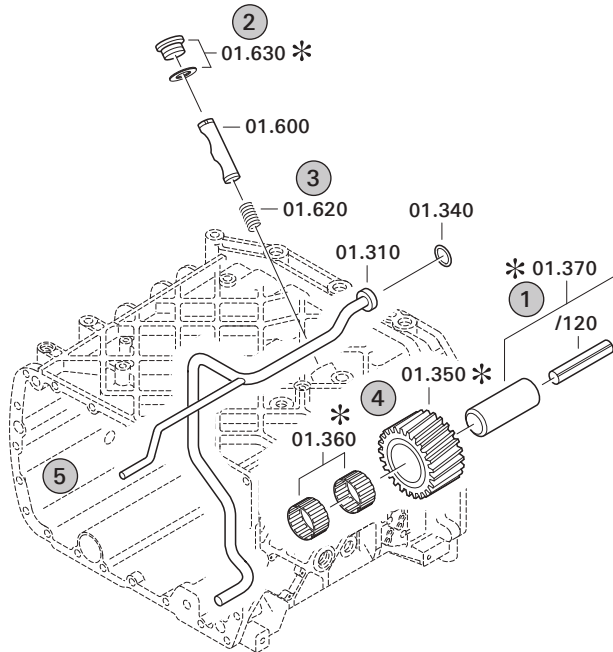
zuständiges Werk:  
Friedrichshafen

# Notes relating to the spare parts catalog

## Setup of the spare parts catalog

- Cover sheet
- Technical Cover (only in SDM print)
- Overview of figures
- Figure
- Associated parts list
- Next figure
- Associated parts list
- ...

## Figure and parts list



## Overview of figures

Bildtafel Figure	Sachnummer Product number	Benennung (Description)	Technische Info Technical info	Description (Benennung)	Menge Quantity	Einheit Unit
068.08.17	1316.170.001	AUSLEGER	WL	SHIFT TURRET	1	Stk
068.08.06	1316.170.031	DECKEL	WL*H-H *VM	COVER	1	Stk
068.08.14	1316.170.808	DECKEL	WL*AUSL+GEH*H-H*HF160N	COVER	1	Stk
08	1316.170.441	ANSCHLUSSTEILE	WL*NG-VORB*RG-SCHL*168N *BAJONETT	CONNECTING PARTS	1	Stk

The "gap" indicates that there is no separate graphics panel (poster) for this assembly  
The parts of this assembly are shown with the same mid-section number on the figure

### 1 Positions and subpositions

Pos.	Sachnummer Product number	Benennung (Description)	Technische Info Technical info	Description (Benennung)	Menge Quantity	Einheit Unit
0370	1315.201.054	RUECKLAUFBOLZEN	KPL.16S151*SG*L= 79	REV.IDLER SHAFT	1	Stk
/0120	0631.329.293	SPANNSTIFT		SLOT. PIN	1	Stk

Positions marked with "/" are the individual items of a completion  
For example: Position 0370 contains a centering pin with the position /0120

### 2 Combinations with standardized parts

Pos.	Sachnummer Product number	Benennung (Description)	Technische Info Technical info	Description (Benennung)	Menge Quantity	Einheit Unit
0630		VERSCHL.SCHR.		SCREW PLUG	1	Stk
	0636.302.067	VERSCHL.SCHR.		SCREW PLUG	1	Stk
	0634.801.249	DICHTRING	A 26 X 31	SEALING RING	1	Stk

The parts list shows the components included in the combination of standardized parts

### 3 Depiction of position/item number on the figure and in the parts list

01.620 - on the figure      01 relates to the assembly in which the position is included. Due to program-related reasons, it is shown on the figure.

0620 - in the parts list

Pos.	Sachnummer Product number	Benennung (Description)	Technische Info Technical info	Description (Benennung)	Menge Quantity	Einheit Unit
0620	0732.040.736	DRUCKFEDER		COMPRESSION SPRING	1	Stk

### 4 \*-Positions

Positions marked with an \* are optional i.e. inclusion in the parts list is not mandatory.  
The following note is shown on the figure

je nach Stücklistenausführung  
depending on spec. number  
\*  
suivant la nomenclature  
secondo la distinta base

### 5 Parts, dotted display

Parts with dotted display on the figure are only used for orientation of other parts



Pos.	Information	Amendment number
001	Use case -----	
002	Customer MAN	
003	City NN	
004	DUNS	
006	Sales Name TG-A	
007	Manufacturer MAN	
008	Engineering Name	
009	Product Use TRUCK	
011	SOP	
012	Engine	
013	Sales Designation D2866LF31	
014	Manufacturer MAN	
015	Eng.Displ.	
016	Cylinder	
017	Nom. power 301 kW	
018	RPM at nom. power 1900 1/min	
019	Nom. torque 1850 Nm	
020	RPM at nom. torque 1300 1/min	
021	Classification use case -----	
022	DESIGNATION, CLUTCH MFZ430	
023	MANUFACTURER, CLUTCH ZF-SACHS	
024	TOTAL NUMBER OF WHEELS 4	
025	NUMBER OF DRIVING WHEELS 2	
026	DYNAMIC TYRE RADIUS 522 mm	
027	REAR AXLE RATIO 3.08	
031	PERMISS.GROSS VEHICLE WEIGHT 18 t	
032	PERMISS.GROSS COMBIN.WEIGHT 44 t	
033	Product description -----	
034	INSTALLATION POS TRANSMISSION HORIZONTAL LEFT	
035	TRANSMISSION ATTACHMENT FLANGE-MOUNTED	
036	RATIO, BOTTOM GEAR 16.41	
037	RATIO, TOP GEAR 1	
038	RATIO, 1ST GEAR 16.41	



Pos.	Information	Amendment number
039	RATIO, 2ND GEAR 13.8	
040	RATIO, 3RD GEAR 11.28	
041	RATIO, 4TH GEAR 9.49	
042	RATIO, 5TH GEAR 7.76	
043	RATIO, 6TH GEAR 6.53	
044	RATIO, 7TH GEAR 5.43	
045	RATIO, 8TH GEAR 4.57	
046	RATIO, 9TH GEAR 3.59	
047	RATIO, 10TH GEAR 3.02	
048	RATIO, 11TH GEAR 2.47	
049	RATIO, 12TH GEAR 2.08	
050	RATIO, 13TH GEAR 1.7	
051	RATIO, 14TH GEAR 1.43	
052	RATIO, 15TH GEAR 1.19	
053	RATIO, 16TH GEAR 1	
054	RATIO, 1ST GEAR REVERSE 15.36	
055	RATIO, 2ND GEAR REVERSE 12.92	
056	SET OF RATIOS DG	
057	UEBERSETZUNGSREIHE BASIS DG	
058	NUMBER OF PLANETARY GEARS 5	
059	UEBERSETZUNG PLANETENSATZ 4.565	
060	AUSF VERZÄHNUNG PLANETENSATZ OBLIQUE TOOTHING	
061	DESIGN, SHIFT SYSTEM TURNING SHAFT	
062	POSITION, GEAR SHIFT SYSTEM HORIZONTAL	
063	DESIGN, SHIFT PATTERN UEH	
064	VERSION SHIFT SUPPORT SERVO	
065	VERSION ACTUATION SHIFT SYSTEM HGS	
068	VERSION TUBE R/C PLASTIC-FORM-PIPE	
069	VERSION TUBE SERVO PLASTIC PIPING	
070	HINWEIS ZU AUSF SCHALTUNG GEAR SHIFT COVER WITH AIR DIST	
071	AUSF RUECKSCHALTG GASSENSPERRE RADIAL	
072	VERSION TUBE GATE INTERLOCK WITHOUT PIPING	
073	1ST CUSTOMER SPEC SHIFT SYSTEM RANGE INTERLOCK	



Pos.	Information	Amendment number
074	2ND CUSTOMER SPEC SHIFT SYSTEM GATE INTERLOCK	
078	DESIGN VALVE AIR SUPPLY VALVE BLOCK	
079	DIA.THROTTLE VALVE AIR SUPPLY 1.3 mm	
080	SELECTION PATTERN VARIANT GEAR SHIFT PATTERN 1	
081	DESIGN, SEPARATING CLUTCH FULL-SYNCHRONIZED	
082	VERSION OF SYNCHRONIZER 1 1.-4.GEAR BK-SYNCHRONIZATION	
084	REFERENCE LENGTH INPUT SHAFT 109 mm	
085	STANDARD TYPE INPUT SHAFT SAE	
086	NUMBER OF WEDGES INPUT SHAFT 10	
087	VERSION OF INPUT SHAFT FORM C	
088	NOMINAL DIAMETER INPUT SHAFT 2 in	
089	DIAMETER, JOURNAL, INPUT SHAFT 25 mm	
090	TYPE FIT SPIGOTS INPUT SHAFT F7	
091	VER. BEAR. SPIGOTS INPUT SHAFT TAPER ROLLER	
092	LENGTH, INPUT SHAFT 395.5 mm	
093	DIAMETER SHAFT OF INPUT SHAFT 50.3 mm	
094	LENGTH, PROFILE, INPUT SHAFT 120 mm	
095	BUSH VARIANT INPUT SHAFT WITHOUT GROOVE	
096	VERSION BEARING CONSTANT 1 GL	
097	DIAMETER BEARING INPUT SHAFT 99.916 mm	
098	TYPE FIT BEAR. INPUT SHAFT H5	
099	DESIGN,CONN., CLUTCH HOUSING SAE 1	
100	CENTR.DIA,HSG/ENGINE CONNECT. 511.175 mm	
101	NUMBER OF BORES,ENGINE CONN. 12	
102	BORE DIA, ENGINE CONNECTION 11 mm	
103	VERSION OF CLUTCH HOUSING INTEGRATED	
104	DESIGN BEARING OUTPUT STANDARD SUSPENSION	
105	VERSION ENGINE CONNECTION NOT FORDABLE	
106	POSITION MOUNT. FACE HOUSING 2 WITHOUT GROOVE	
107	LAENGE SPANNLAPPEN RE MOTANSCH 292 mm	
109	TYPE OF RELEASE MECHANISM WITH	
110	REF.LENGTH,RELEASE BEAR.FLAN -7 mm	
111	DIAMETER, RELEASE FLANGE 60 mm	



Pos.	Information	Amendment number
112	TYPE FIT RELEASE BEARING FLA. F8	
113	D-LAGERBUCHSE AUSRUECKUNG LI 35 mm	
114	ASSEMBLY POS. CLUTCH CYLINDER 6	
115	OUTER DIA. OUTPUT FLANGE RA 180 mm	
116	NO.OF BORES OUTPUT FLANGE HA1 4	
118	BORE DIA. OUTPUT FLANGE RA 15 mm	
123	REF. LENGTH OUTPUT FLANGE RA 211.5 mm	
133	SHIFT LEVER CONNECTION	
136	SPRING ARRANGEMENT Q5	
137	SPRING FORCE DETENT PLUNGER RG 150 N	
140	SELECTOR SPRING FORCE, OUTSIDE 35 N	
141	SELECTOR SPRING FORCE, INSIDE 190 N	
145	SWITCH, REVERSE GEAR y	
146	DESIGN, RG (REV.GEAR) SWITCH CLOSING	
147	DESIGN, CONNECTION, RG SWITCH DIN BAYONET	
148	CODE SWITCH RG A2	
149	PROT.CAP SWITCH, REVERSE GEAR y	
150	NOTE ON SWITCH, REVERSE GEAR G.SHIFT SHAFT	
151	SWITCH, NEUTRAL GEAR y	
152	DESIGN,NG(NEUTRAL GEAR)SWITCH OPENING SWITCH	
153	DESIGN, CONNECTION, NG SWITCH DIN BAYONET	
154	CODE SWITCH NG A1	
155	PROT.CAP SWITCH, NEUTRAL GEAR y	
176	FUNCTION OF R/C SWITCH GP	
177	DESIGN, GP SWITCH PREPARED	
180	PROTECTING CAP GP SWITCH n	
181	FUNCTION OF S/G SWITCH GV	
182	DESIGN, GV SWITCH WITHOUT GROOVE	
185	PROTECTING CAP GV SWITCH n	
207	ATTACHM.POS.HEAT EXCHANGER IN FRONT LEFT PREPARED	
208	VER. TRANSMISSION VENTILATION ELBOW JOINT	
210	POS.TRANSMISSION VENTILATION IN FRONT	
211	DESIGN PULSE SENSOR INPUT WITH	



Pos.	Information	Amendment number
212	DES.CONN.PULSE SENSOR INPUT DIN BAYONET	
213	PROT.CAP PULSE SENSOR INPUT y	
214	D-ABNAHMESTELLE IMP.GEBER ANTR 172 mm	
215	ABNAHMESTELLE IMP.GEBER ANTR COUNTER SHAFT CONSTANT 2	
216	VERSION PULSE SENSOR SFA H68 WITHOUT GROOVE	
220	PROT.CAP PULSE SENSOR SFA H68 n	
221	NO. PULSES PULSE SENSOR SFAH68 6 IMP/U	
226	VER. PULSE SENSOR TRANSM. H70 WITH	
227	VER. CONNECT. PULSE SENSOR H70 DIN BAYONET	
228	DESIGN PULSE SENSOR H70 KITAS II	
229	INSTRUCTION SENSOR H70 ADR-EXPLOSION-PROOF	
230	PROT.CAP PULSE SENSOR TM H70 y	
231	NO PULSES PULSE SENSOR TM H70 6 IMP/U	
232	ASSEMBLY POS PULSE SENSOR H70 1	
233	NOTE ASS. POS PULSE SENSOR H70 INSTALLATION DRAWING	
234	POSITION, OIL FILLER HOUSING LEFT+RIGHT	
235	NOTE ON OIL FILL FILL IN OVERFLOW	
236	OIL CAPACITY, GEARBOX 13 dm3	
237	OIL FILL VARIANT EX WORKS	
238	OIL GRADE PERMISSIBLE ACC. TO TE-ML02	
239	OIL CLASS FIRST FILLING E	
240	CODING OUTER CONSERVATION KA1+2	
241	SCOPE OUTER CONSERVATION T	
242	CODING INNER CONSERVATION KI1	
243	CONSERVATION SPECIFICATION ZFN 916	
244	COLOR JET BLACK	
245	COLOUR CLASSIFICATION ACC. TO RAL 9005	
246	PAINTING, ZF STANDARD 915 W	
248	Documents -----	
249	Drawing 1316.051.550	
250	Drawing 1316.101.035	
251	TURN.SHAFT CONT Assembly 1341.173.001	
252	TURN.SHAFT CONT Drawing 1341.173.001	



<b>Pos.</b>	<b>Information</b>	<b>Amendment number</b>
253	Drawing 1342.601.002	
254	1315.051.200 Drawing 1315.051.200	
255	SET OF SPRINGS Drawing 1341.149.020	
256	Alias ID -----	
257	MAN 81.32003-6679	



# Assembly group overview

Material number: 1342.001.001

16 S 1920 TD /



Page 1 from 2

Graphics	Pos.	Material number	Name	Quantity	Amend. no.	Techn. Info.
068.01.05-1	110	1316.101.128	GEARBOX HOUSING	1		
068.01.40-1	118	1315.101.409	CONNECTING PARTS	1		
068.01.57-1	120	1316.101.989	GEARBOX HOUSING	1		
068.02.54-1	140	1315.102.429	CONNECTION PLATE	1		
068.02.82-1	150	1315.102.811	INPUT SHAFT	1		
068.02.02-1	910	1316.102.034	INPUT SHAFT	1		
068.03.80-1	180	1316.103.803	COUNTERSHAFT	1		
068.03.01-1	920	1316.103.012	LAYSHAFT	1		
068.04.13-1	930	1316.104.037	MAIN SHAFT	1		
068.06.01-1	230	1316.106.008	SHIFT SYSTEM	1		
068.06.43-1	234	1315.106.422	CONNECTING PARTS	1		
068.06.80-1	238	1315.106.800	SHIFT SYSTEM	1		
068.07.81-1	292	1316.108.828	GEAR SHIFT HOUSING	1		
068.07.44-1	910	1341.108.009	GEAR SHIFT HOUSING	1		
068.07.40-1	914	1316.108.447	GEAR SHIFT SHAFT	1		
068.07.82-1	924	1316.108.056	DETENT	1		
068.07.83-1	930	1316.108.835	COVER	1		
068.08.26-1	294	1341.171.001	SELECTOR CYLINDER	1		
068.08.34-1	960	1316.171.421	PNEUMSERVUNIT	1		
068.08.91-1	964	1341.171.809	CONNECTING PARTS	1		
068.09.03-1	934	1341.109.025	CONNECTING PARTS	1		
068.09.08-1	940	1316.109.447	CONNECTING PARTS	1		
068.12.07-1	920	1316.149.029	SET OF SPRINGS	1		
068.40.04-1	500	1316.112.012	GV-SHIFT SYSTEM	1		
068.40.43-1	502	1315.112.425	CONNECTING PARTS	1		
068.43.21-1	10	1315.131.047	COVER	1		
068.43.06-1	20	1315.131.050	RC HOUSING	1		
068.43.40-1	30	1315.131.400	CLOSING COMPONENTS	1		
068.43.80-1	512	1315.131.805	RC HOUSING	1		
068.43.41-1	516	1315.131.436	CONNECTING PARTS	1		
068.44.07-1	40	1315.132.015	PLANETARY DRIVE	1		
068.44.41-1	50	1316.132.400	PLANETARY DRIVE	1		

# Assembly group overview

Material number: 1342.001.001

16 S 1920 TD /

Page 2 from 2



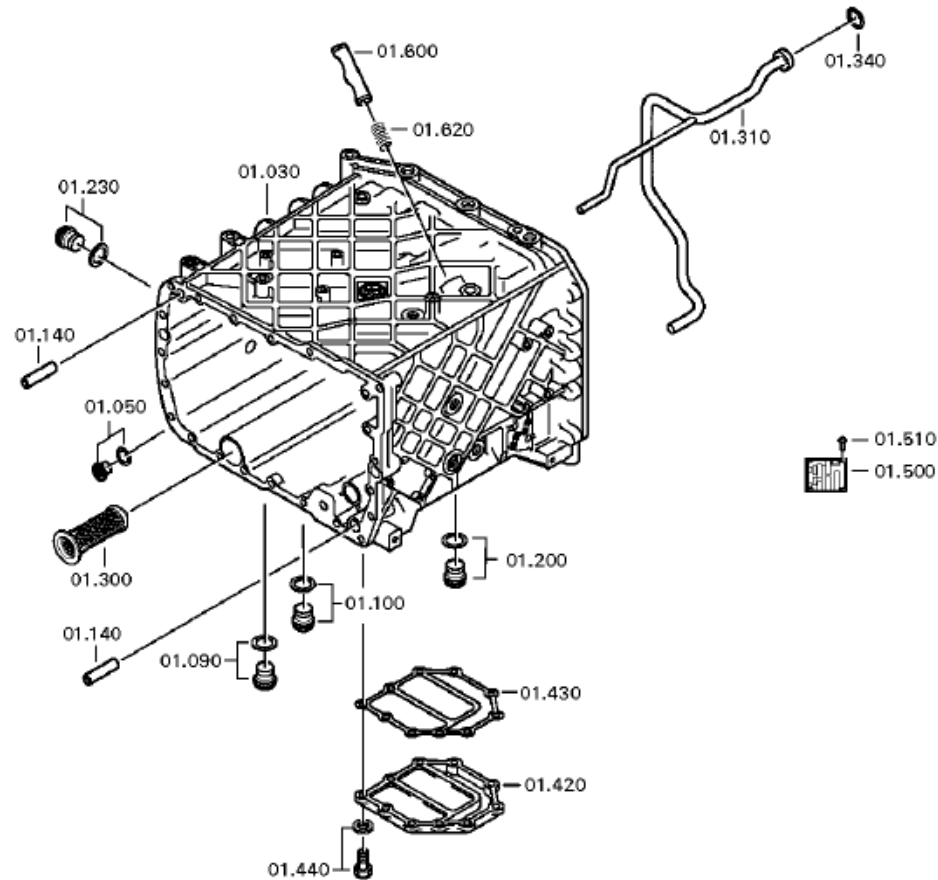
Graphics	Pos.	Material number	Name	Quantity	Amend. no.	Techn. Info.
068.45.04-1	70	1316.133.008	SYNCHRONIZER	1		
068.45.40-1	80	1315.133.405	SYNCHRONIZER	1		
068.46.02-1	90	1316.134.021	GP SHIFT SYSTEM	1		
068.46.41-1	554	1315.134.409	CONNECTING PARTS	1		
068.57.12-1	390	1316.145.012	RANGE SELECTION	1		
068.93.07	130	1315.168.019	CLUTCH RELEASE DEVICE	1		

# Plant

Page 1 from 3

Material number: 1342.001.001  
Plate: 068.01.05-1  
GEARBOX HOUSING

16 S 1920 TD /  
GEARBOX HOUSING

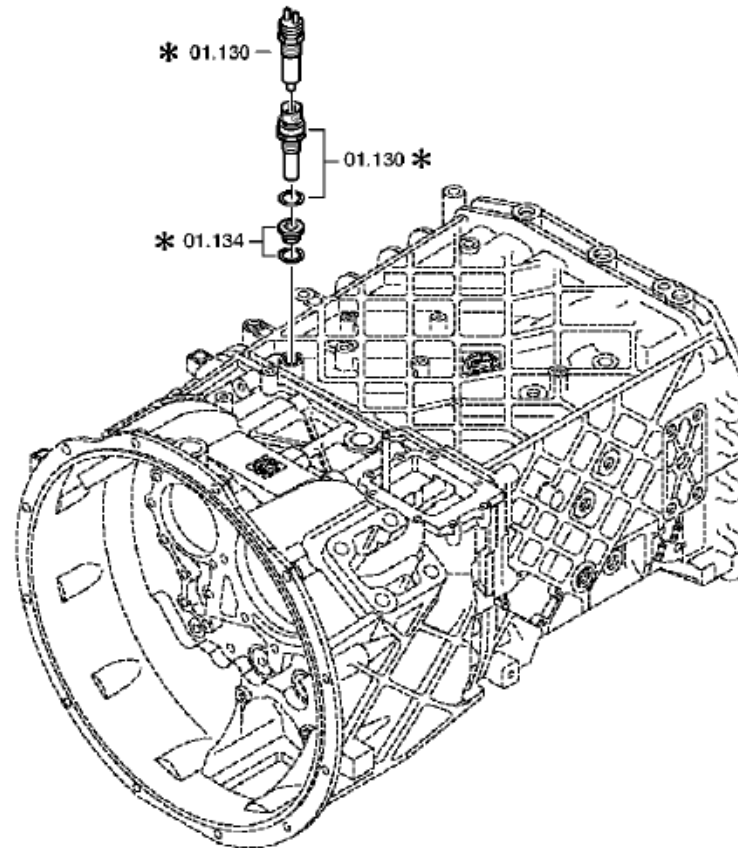


# Plant

Page 2 from 3

Material number: 1342.001.001  
Plate: 068.01.40-1  
GEARBOX HOUSING

16 S 1920 TD /  
GEARBOX HOUSING





# Parts list

Page 1 from 3

Material number: 1342.001.001

16 S 1920 TD /

Plate: 068.01.05-1

Material-assembly-group-no: 1316.101.128



Pos.	Material number	Customer material	Name	Quantity	ME	Amend. no.	Techn. Info.	Weight	Rep kit	Alternative material
10	1316.201.142		CLUTCH HOUSING	1			KPL.	0,000		
/110	1316.301.064		CLUTCH HOUSING	1			ENTHALT.IN 1316 301 060(0)	0,000		
/120	1315.201.097		TUBE	1			KPL.	0,000		
20	1315.301.233	5 5367 0	GASKET	1		C01005348C10		0,000		
30	1316.201.139		HOUSING	1			KPL. IN 1316 201 108(0)	0,000		
50	---		SCREW PLUG	1		Z00010176111	M24X1,5	0,000		
---	0736.300.160	4471982.1	SCREW PLUG	1		Z00010176110	M24X1,5 M24X1,5	0,000		
---	0730.008.637		SEALING RING	1		Z00010176110	24X29	0,000		
90	---		SCREW PLUG	1		Z00010164013	50N.M*DICHTRING M22X1,5	0,000		
---	0636.100.824		SCREW PLUG	1		Z00010164019	M22X1,5	0,000		
---	0730.009.515		SEALING RING	1		Z00010164019	A22X27	0,000		
100	---		SCREW PLUG	1		Z00010164013	50N.M*DICHTRING M22X1,5	0,000		
---	0636.100.824		SCREW PLUG	1		Z00010164019	M22X1,5	0,000		
---	0730.009.515		SEALING RING	1		Z00010164019	A22X27	0,000		
130	---		INDUCTIVE SENSOR	1			L=46,5*35N.M* FLAECHENDICHT* SCHUTZKAPPE	0,000		
---	0501.320.073		INDUCTIVE SENSOR	1				0,000		
140	0731.201.563		CYLINDRICAL PIN	4				0,000		
160	0736.300.123	1880233	HEXAGON SCREW	14			M10X70 M10X70	0,000		
170	---		HEXAGON SCREW	1			M10X70	0,000		
---	0736.300.123	1880233	HEXAGON SCREW	1			M10X70 M10X70	0,000		
180	0736.300.119	1896749	HEXAGON SCREW	6		Z00009403410	M10X140 M10X140	0,000		
190	---		HEXAGON SCREW	1		Z00009403410	M10X140	0,000		
---	0736.300.119	1896749	HEXAGON SCREW	1		Z00009403412	M10X140 M10X140	0,000		
200	---		SCREW PLUG	1		Z00010112111	60N.M*DICHTRING M24X1,5	0,000		
---	0636.304.088		SCREW PLUG	1		Z00010112110	M24X1,5	0,000		
---	0730.008.637		SEALING RING	1		Z00010112110	24X29	0,000		
230	---		SCREW PLUG	1		Z00010112111	60N.M*DICHTRING M24X1,5	0,000		

# Parts list

Page 2 from 3

Material number: 1342.001.001

16 S 1920 TD /

Plate: 068.01.05-1

Material-assembly-group-no: 1316.101.128



Pos.	Material number	Customer material	Name	Quantity	ME	Amend. no.	Techn. Info.	Weight	Rep kit	Alternative material
---	0636.304.088		SCREW PLUG	1		Z00010112110	M24X1,5	0,000		
---	0730.008.637		SEALING RING	1		Z00010112110	24X29	0,000		
280	---		SCREW PLUG	1		Z00010112111	60N.M*DICHTRING M24X1,5	0,000		
---	0636.304.088		SCREW PLUG	1		Z00010112110	M24X1,5	0,000		
---	0730.008.637		SEALING RING	1		Z00010112110	24X29	0,000		
300	0501.318.802	5718 742 08	SCREEN INSERT	1		C01000947C10		0,000		
310	1316.201.056		SPRAY TUBE	1			KPL. IN 1315 201 112(0)	0,000		
340	0634.313.198	1000004936	O-RING	1			20X3	1		
350	---		REVERSE IDLER GEAR	1		C01006413F10		0,000		
---	1316.305.001		REVERSE IDLER GEAR	1			Z22 IN 1295 305 050(1)	0,000		
---	1316.305.008	1882761	REVERSE IDLER GEAR	1			Z22 IN 1295 305 050(1)	0,000		
360	0750.115.369	820-400-2290	NEEDLE CAGE	2			45,0X57,0X25,0	0,000		
370	1316.201.029		REVERSE IDLER SHAFT	1			KPL.16S221*DG*L=107	0,000		
/120	0631.329.296		SLOTTED PIN	1			10X123	0,000		
420	1315.301.151		COVER	1				0,000		
430	0501.316.146	133-198-1940	GASKET	1				0,000		
440	0636.100.432		HEXAGON SCREW	10		Z00007349511	M10X28	0,000		
500	---		TYPE PLATE	1			KONZERN	0,000		
---	0730.365.241		TYPE PLATE	1			EINHEITSSCH. VERDREHSICHER	0,000		
---	0730.365.259		TYPE PLATE	1			EINHEITSSCH. VERDREHSICHER	0,000		
---	0730.365.267		TYPE PLATE	1			CHINA	0,000		
---	0730.300.258		TYPE PLATE	1			EINHEITSSCH. VERDREHSICHER	0,000		
---	0730.365.271		TYPE PLATE	1			RUSSLAND/ KYRILLISCH	0,000		
---	0730.365.257		TYPE PLATE	1			S.S.CH IRAN	0,000		
510	0731.300.027		BLIND RIVET	4		Z00007904810		0,000		
530	0501.315.794		CANNON SOCKET	1		Z00006366310	M10X1	0,000		
550	0501.315.796		ANGLE PIECE	1		C01007039B10		0,000		
600	1313.306.013		LOCKING PIN	1				0,000		
620	0732.040.736	2150041300	COMPRESSION SPRING	1				5,200		

# Parts list

Page 3 from 3

Material number: 1342.001.001

16 S 1920 TD /

Plate: 068.01.05-1

Material-assembly-group-no: 1316.101.128



Pos.	Material number	Customer material	Name	Quantity	ME	Amend. no.	Techn. Info.	Weight	Rep kit	Alternative material
630	---		SCREW PLUG	1		Z00010164412	70N.M*DICHTRING M26X1,5	0,000		
---	0636.100.811		SCREW PLUG	1		Z00010164420	M26X1,5	0,000		
---	0634.801.249		SEALING RING	1		Z00010164420	26X31	0,010		
700	1315.301.230		PROTECTION CAP	1				0,000		
720	0501.321.840		PLUG	1				0,000		
730	0501.321.840		PLUG	1				0,000		

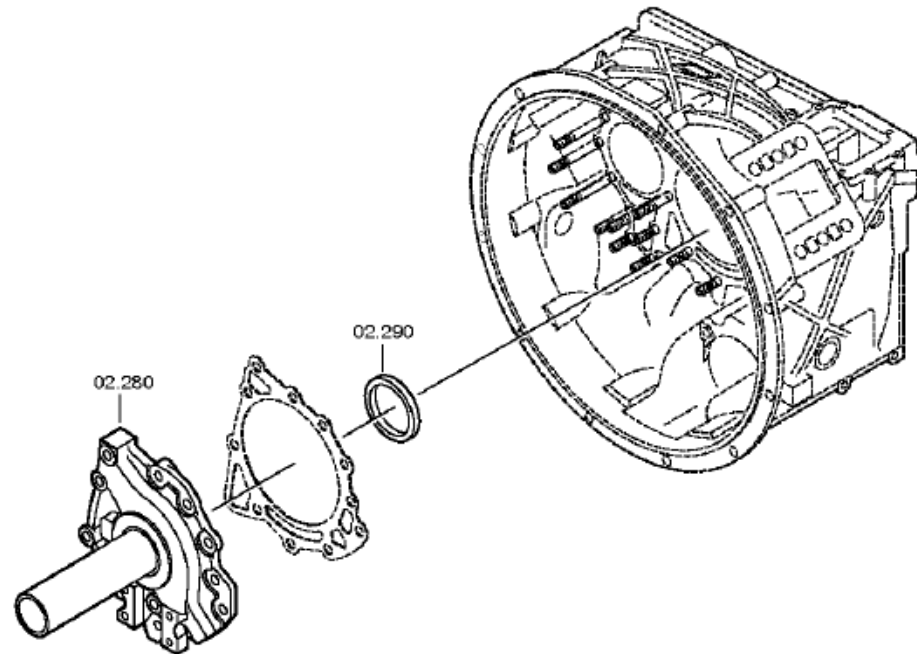


# Plant

Page 1 from 3

Material number: 1342.001.001  
Plate: 068.02.54-1  
INPUT SHAFT

16 S 1920 TD /  
CONNECTION PLATE

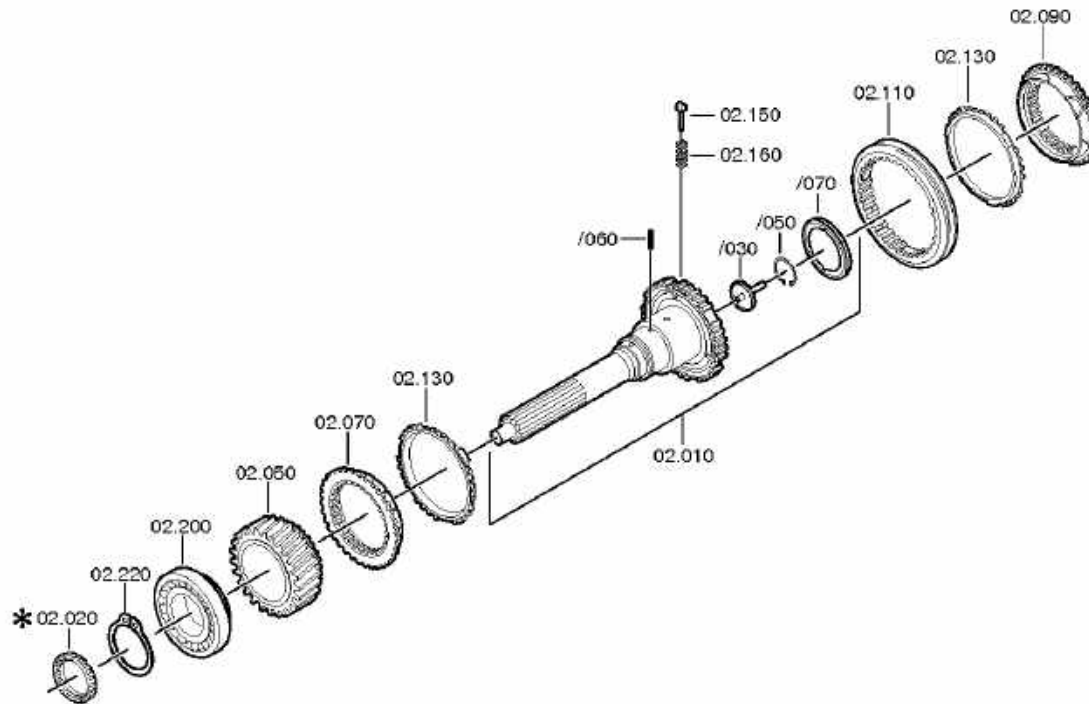


# Plant

Page 2 from 3

Material number: 1342.001.001  
Plate: 068.02.02-1  
INPUT SHAFT

16 S 1920 TD /  
CONNECTION PLATE

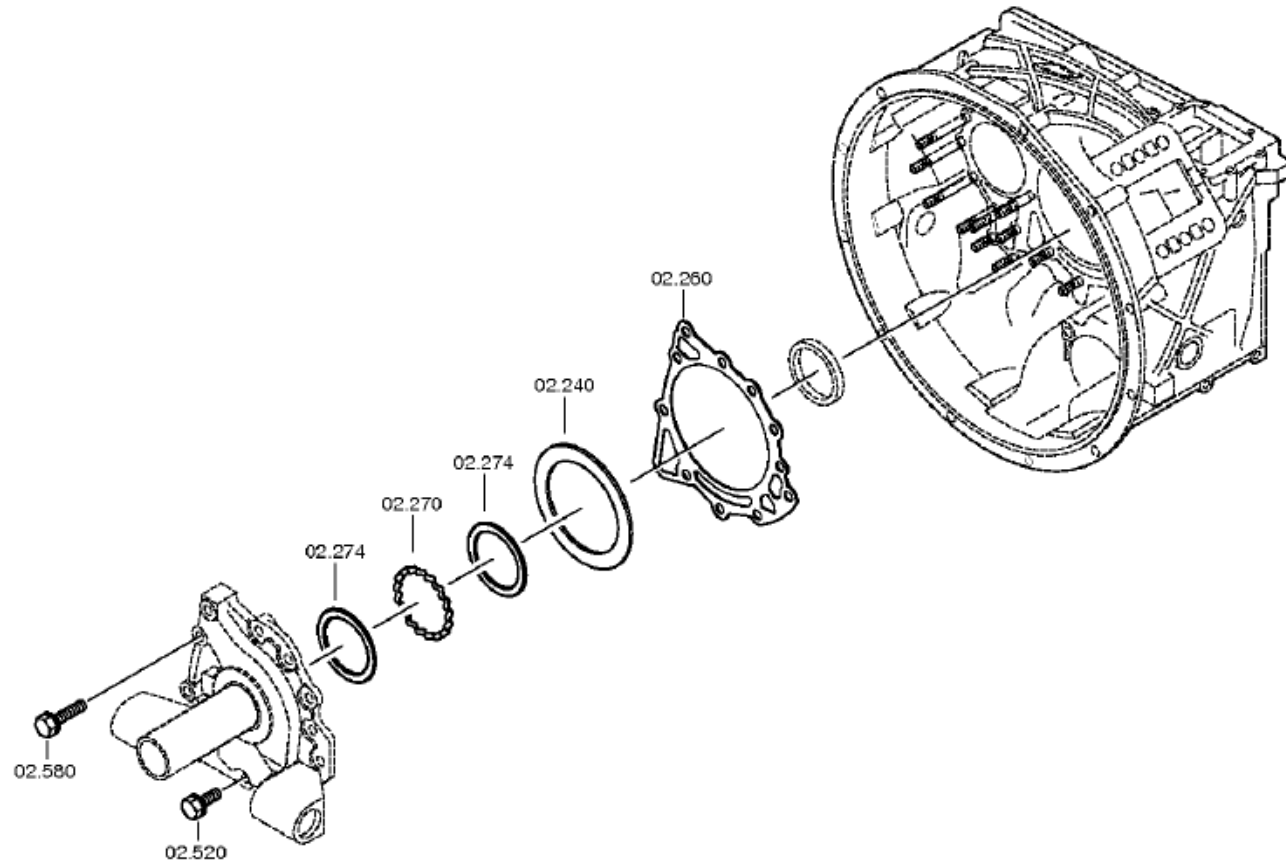


# Plant

Page 3 from 3

Material number: 1342.001.001  
Plate: 068.02.82-1  
INPUT SHAFT

16 S 1920 TD /  
CONNECTION PLATE



# Parts list

Page 1 from 3

**Material number: 1342.001.001**      **16 S 1920 TD /**  
**Plate: 068.02.54-1**  
**Material-assembly-group-no: 1315.102.429**



Pos.	Material number	Customer material	Name	Quantity	ME	Amend. no.	Techn. Info.	Weight	Rep kit	Alternative material
10	1316.202.025	5 5337 0	INPUT SHAFT	1			KPL.L109*GL100*ZAPF.25	0,000		
/30	1354.302.019		TUBE	1		Z00003830511		0,000		
/50	0630.502.027		RETAINING RING	1			50X2	8		
/70	0750.101.179	1896784	OIL DAM	1		Z00007187910	77,0X95,5X6,0	0,000		
50	1316.302.066		HELICAL GEAR	1			ENTHALT.IN 1316 302 026(1)	0,000		
70	1312.304.027	81.32425-0092	CLUTCH BODY	1			ENTHALT.IN 1310 304 107(1)	0,000		
90	1312.304.027	81.32425-0092	CLUTCH BODY	1		C01004681D10	ENTHALT.IN 1310 304 107(1)	0,000		
110	1310.304.202	5 5321 0	SLIDING SLEEVE	1		C01005378A10		0,000		
130	1297.304.484	81.32420-0230	SYNCHRONING	2				0,000		
150	1297.304.436		PRESSURE PART	3				0,004		
160	0732.040.409		COMPRESSION SPRING	3		C01007317F10		0,002		
200	0750.117.732	5 8301 0	TAPERED ROLLER BEARING	1			85,0X150,0X30,5	0,000		
220	0730.501.598		RETAINING RING	1		C01007992110	85X4	0,000		
240	---		SHIM	1			H= 0,90- 2,40( ABSTUFUNG:0,05MM)	0,000		
---	2050.309.094		SHIM	1			A=2,2 IN 2050 309 090 C45E WW.F500 ZFN410	0,000		
---	0730.007.489		SHIM	1			A=2,15 IN 2050 309 090(2)	0,000		
---	0730.007.488		SHIM	1			A=2,10 IN 2050 309 090(2)	0,000		
---	0730.007.487		SHIM	1			A=2,05 IN 2050 309 090(2)	0,000		
---	0730.007.486		SHIM	1			A=2,00 IN 2050 309 090(2)	0,000		
---	0730.007.485		SHIM	1			A=1,95 IN 2050 309 090(2)	0,000		
---	0730.007.484		SHIM	1			A=1,90 IN 2050 309 090(2)	0,000		
---	0730.007.483		SHIM	1			A=1,85 IN 2050 309 090(2)	0,000		

# Parts list

Page 2 from 3

Material number: 1342.001.001

16 S 1920 TD /

Plate: 068.02.54-1

Material-assembly-group-no: 1315.102.429



Pos.	Material number	Customer material	Name	Quantity	ME	Amend. no.	Techn. Info.	Weight	Rep kit	Alternative material
---	0730.007.482		SHIM	1			A=1,80 IN 2050 309 090(2)	0,000		
---	0730.007.481		SHIM	1			A=1,75 IN 2050 309 090(2)	0,000		
---	0730.007.480	1833896	SHIM	1			A=1,70 IN 2050 309 090(2)	0,000		
---	0730.007.479		SHIM	1			A=1,65 IN 2050 309 090(2)	0,000		
---	0730.007.136		SHIM	1			A=1,60 IN 2050 309 090(2)	0,000		
---	0730.007.135		SHIM	1			A=1,55 IN 2050 309 090(2)	0,000		
---	0730.007.134		SHIM	1			A=1,50 IN 2050 309 090(2)	0,000		
---	0730.007.133		SHIM	1			A=1,45 IN 2050 309 090(2)	0,000		
---	0730.007.132		SHIM	1			A=1,40 IN 2050 309 090(2)	0,000		
---	0730.007.131		SHIM	1			A=1,35 IN 2050 309 090(2)	0,000		
---	0730.007.130		SHIM	1			A=1,30 IN 2050 309 090(2)	0,000		
---	0730.007.129		SHIM	1			A=1,25 IN 2050 309 090(2)	0,000		
---	2050.309.034		SHIM	1			A=1,2 IN 2050 309 090 C45E WW.F500 ZFN410	0,000		
---	0730.007.128		SHIM	1			A=1,15 IN 2050 309 090(2)	0,000		
---	0730.007.127		SHIM	1			A=1,10 IN 2050 309 090(2)	0,000		
---	0730.007.126		SHIM	1			A=1,05 IN 2050 309 090(2)	0,000		
---	2050.309.065		SHIM	1			A=1,0 IN 2050 309 090 C45E WW.F500 ZFN410	0,000		

# Parts list

Page 3 from 3

Material number: 1342.001.001

16 S 1920 TD /

Plate: 068.02.54-1

Material-assembly-group-no: 1315.102.429



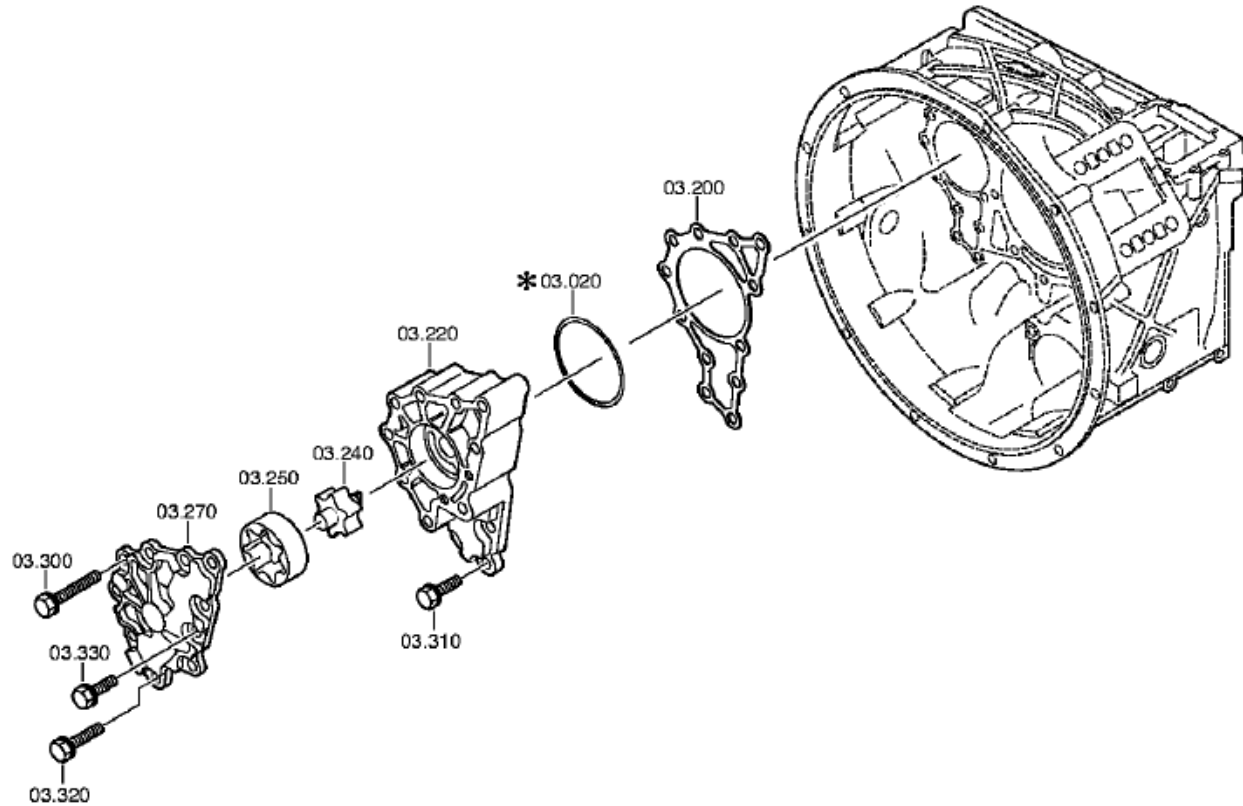
Pos.	Material number	Customer material	Name	Quantity	ME	Amend. no.	Techn. Info.	Weight	Rep kit	Alternative material
---	0730.005.749		SHIM	1			A=0,95 IN 2050 309 090(2)	0,000		
---	0730.005.748	5 5258 0	SHIM	1			A=0,90 IN 2050 309 090(2)	0,000		
---	0730.301.503		SHIM	1			h=2,25	0,000		
---	0730.301.504		SHIM	1			h=2,30	0,000		
---	0730.301.505		SHIM	1			h=2,35	0,000		
---	0730.301.506		SHIM	1			h=2,40	0,000		
260	0501.314.587	5 6095 0	GASKET	1				0,000		
270	1315.302.040		SPACER RING	1				0,000		
274	0730.150.766		WASHER	2				0,000		
280	1315.302.136	5 5335 0	CONNECTION PLATE	1				0,000		
290	---		SHAFT SEAL	1		C01002111D10	75X55X8	0,000		
---	0734.310.387	5 8002 0	SHAFT SEAL	1			55X75X8/9,2 FA.CFW	0,000		
520	0636.015.685		HEXAGON SCREW	8		Z00009177310	M10X35	0,000		
580	0636.102.270	0636 102 270 01	HEXAGON SCREW	3		Z00009177410	M10X60	0,000		

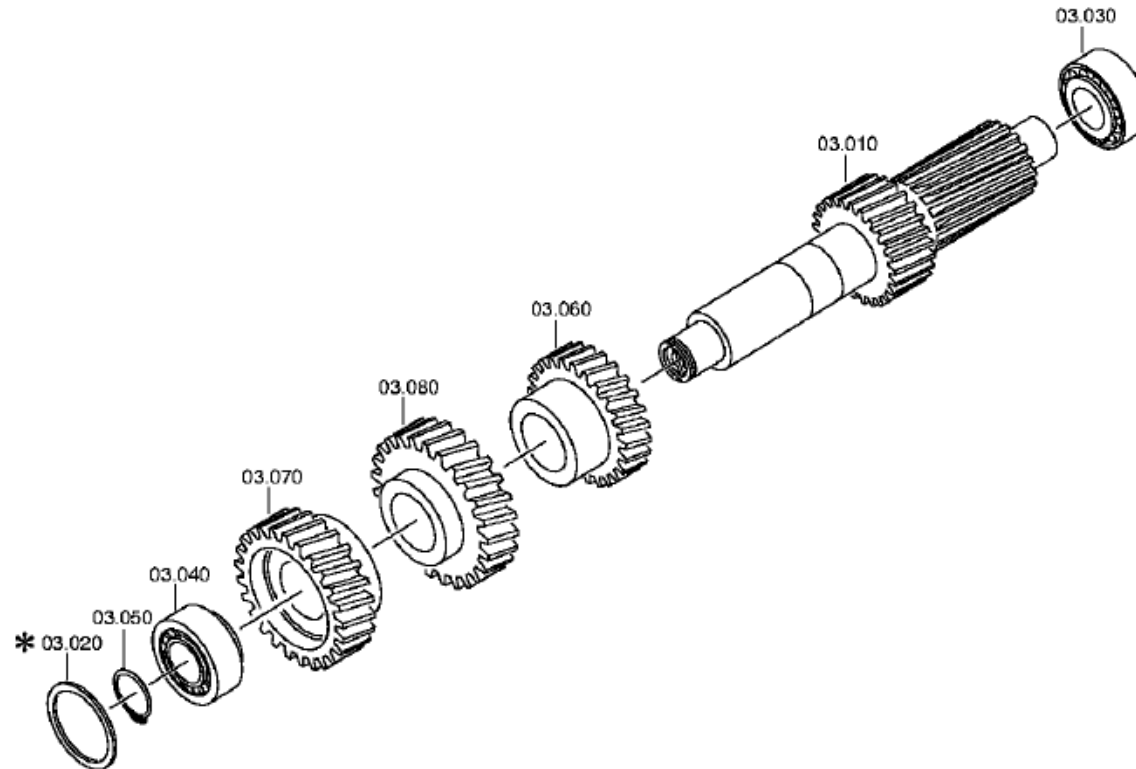
# Plant

Page 1 from 2

Material number: 1342.001.001  
Plate: 068.03.80-1  
LAYSHAFT

16 S 1920 TD /  
COUNTERSHAFT







# Parts list

Page 1 from 3

Material number: 1342.001.001

16 S 1920 TD /

Plate: 068.03.80-1

Material-assembly-group-no: 1316.103.803



Pos.	Material number	Customer material	Name	Quantity	ME	Amend. no.	Techn. Info.	Weight	Rep kit	Alternative material
10	1316.303.033	5 5340 0	COUNTERSHAFT	1			ENTHALT.IN 1316 303 032(0)	0,000		
20	---		SHIM	1			H= 1,85- 3,25( ABSTUFUNG:0,05MM)	0,000		
---	0730.112.938		SHIM	1		C01007375C10	A=3,25	0,000		
---	0730.112.937		SHIM	1		C01007375C10	A=3,20	0,000		
---	0730.112.936		SHIM	1		C01007375C10	A=3,15	0,000		
---	0730.112.935		SHIM	1		C01007375C10	A=3,10	0,000		
---	0730.106.860		SHIM	1		C01007375C10	A=3,05 IN 0730 106 904(2)	0,000		
---	0730.106.917		SHIM	1			A=3,00 IN 0730 106 904(2)	0,000		
---	0730.106.916	1833921	SHIM	1			A=2,95 IN 0730 106 904(2)	0,000		
---	0730.106.915	1833920	SHIM	1			A=2,90 IN 0730 106 904(2)	0,000		
---	0730.106.914	1833919	SHIM	1			A=2,85 IN 0730 106 904(2)	0,000		
---	0730.106.913	1833918	SHIM	1			A=2,80 IN 0730 106 904(2)	0,000		
---	0730.106.912		SHIM	1			A=2,75 IN 0730 106 904(2)	0,000		
---	0730.106.911	1833917	SHIM	1			A=2,70 IN 0730 106 904(2)	0,000		
---	0730.106.910	1833916	SHIM	1			A=2,65 IN 0730 106 904(2)	0,000		
---	0730.106.909	1833915	SHIM	1			A=2,60 IN 0730 106 904(2)	0,000		
---	0730.106.908	1833914	SHIM	1			A=2,55 IN 0730 106 904(2)	0,000		
---	0730.100.799		SHIM	1			A=2,50 IN 0730 106 904(2)	0,000		
---	0730.100.800	1833898	SHIM	1			A=2,45 IN 0730 106 904(2)	0,000		

# Parts list

Page 2 from 3

Material number: 1342.001.001

16 S 1920 TD /

Plate: 068.03.80-1

Material-assembly-group-no: 1316.103.803



Pos.	Material number	Customer material	Name	Quantity	ME	Amend. no.	Techn. Info.	Weight	Rep kit	Alternative material
---	0730.100.801		SHIM	1			A=2,40 IN 0730 106 904(2)	0,000		
---	0730.100.802	1833900	SHIM	1			A=2,35 IN 0730 106 904(2)	0,000		
---	0730.100.803	1833905	SHIM	1			A=2,30 IN 0730 106 904(2)	0,000		
---	0730.101.466		SHIM	1			A=2,25 IN 0730 106 904(2)	0,000		
---	0730.101.467	1833906	SHIM	1			A=2,20 IN 0730 106 904(2)	0,000		
---	0730.101.468	1833907	SHIM	1			A=2,15 IN 0730 106 904(2)	0,000		
---	0730.101.469	1833909	SHIM	1			A=2,10 IN 0730 106 904(2)	0,000		
---	0730.101.470	1833910	SHIM	1			A=2,05 IN 0730 106 904(2)	0,000		
---	0730.101.471		SHIM	1			A=2,00 IN 0730 106 904(2)	0,000		
---	0730.106.907	1833912	SHIM	1			A=1,95 IN 0730 106 904(2)	0,000		
---	0730.106.906	1833911	SHIM	1			A=1,90 IN 0730 106 904(2)	0,000		
---	0730.106.905		SHIM	1			A=1,85 IN 0730 106 904(2)	0,000		
30	0750.117.009	8 8449 0	TAPERED ROLLER BEARING	1			49,2X103,1X43,6	0,000		
40	0750.117.009	8 8449 0	TAPERED ROLLER BEARING	1			49,2X103,1X43,6	0,000		
50	---		RETAINING RING	1		C01002877A10	H= 2,40- 3,00( ABSTUFUNG:0,05MM)	0,000		
---	0630.531.065	8603574	RETAINING RING	1			50X3	16		
---	0630.501.111		RETAINING RING	1			50X2,95	0,000		
---	0630.501.112	0002640551	RETAINING RING	1			50X2,9	0,000		
---	0630.501.113		RETAINING RING	1			50X2,85	0,000		
---	0630.501.114	0002641451	RETAINING RING	1			50X2,8	0,000		
---	0630.501.115		RETAINING RING	1			50X2,75	0,000		
---	0630.501.116	0002641351	RETAINING RING	1			50X2,7	0,000		

# Parts list

Page 3 from 3

Material number: 1342.001.001

16 S 1920 TD /

Plate: 068.03.80-1

Material-assembly-group-no: 1316.103.803



Pos.	Material number	Customer material	Name	Quantity	ME	Amend. no.	Techn. Info.	Weight	Rep kit	Alternative material
---	0630.501.117		RETAINING RING	1			50X2,65	0,000		
---	0630.501.118	0002641251	RETAINING RING	1			50X2,6	0,000		
---	0630.501.160		RETAINING RING	1			50X2,55	0,000		
---	0630.531.064	1663657	RETAINING RING	1			50X2,5	0,100		
---	0630.501.159		RETAINING RING	1			50X2,45	0,000		
---	0630.501.148	0002641051	RETAINING RING	1			50X2,4	0,000		
60	1316.303.005		HELICAL GEAR	1			3G/Z26 IN 1312 303 018(1)	0,000		
70	1316.303.030		HELICAL GEAR	1			KON/Z39 IN 1316 303 029(1)	0,000		
80	1316.303.065		HELICAL GEAR	1			Z35 IN 1312 303 013(1)	0,000		
200	1315.303.060	H0491909	GASKET	1		C01005349C10		0,000		
220	---		PUMP HOUSING	1			GD*GSLS	0,000		
---	1315.302.121	5 5355 0	PUMP HOUSING	1				0,000		
---	1315.302.117		PUMP HOUSING	1				0,000		
240	1314.202.039	5 5842 0	PUMP SHAFT	1			KPL.	0,000		
250	1315.303.027	5 5857 0	ROTOR	1				0,000		
270	---		PUMP COVER	1			GD*GSLS	0,000		
---	1315.302.120	5 5855 0	PUMP COVER	1				0,000		
---	1315.302.116		PUMP COVER	1				0,000		
300	0636.015.684		HEXAGON SCREW	8		Z00009177510	M10X85	0,000		
310	0636.015.685		HEXAGON SCREW	3		Z00009177310	M10X35	0,000		
320	0636.102.270	0636 102 270 01	HEXAGON SCREW	1		Z00009177410	M10X60	0,000		
330	0636.015.685		HEXAGON SCREW	2		Z00009177310	M10X35	0,000		

# Plant

Page 1 from 1

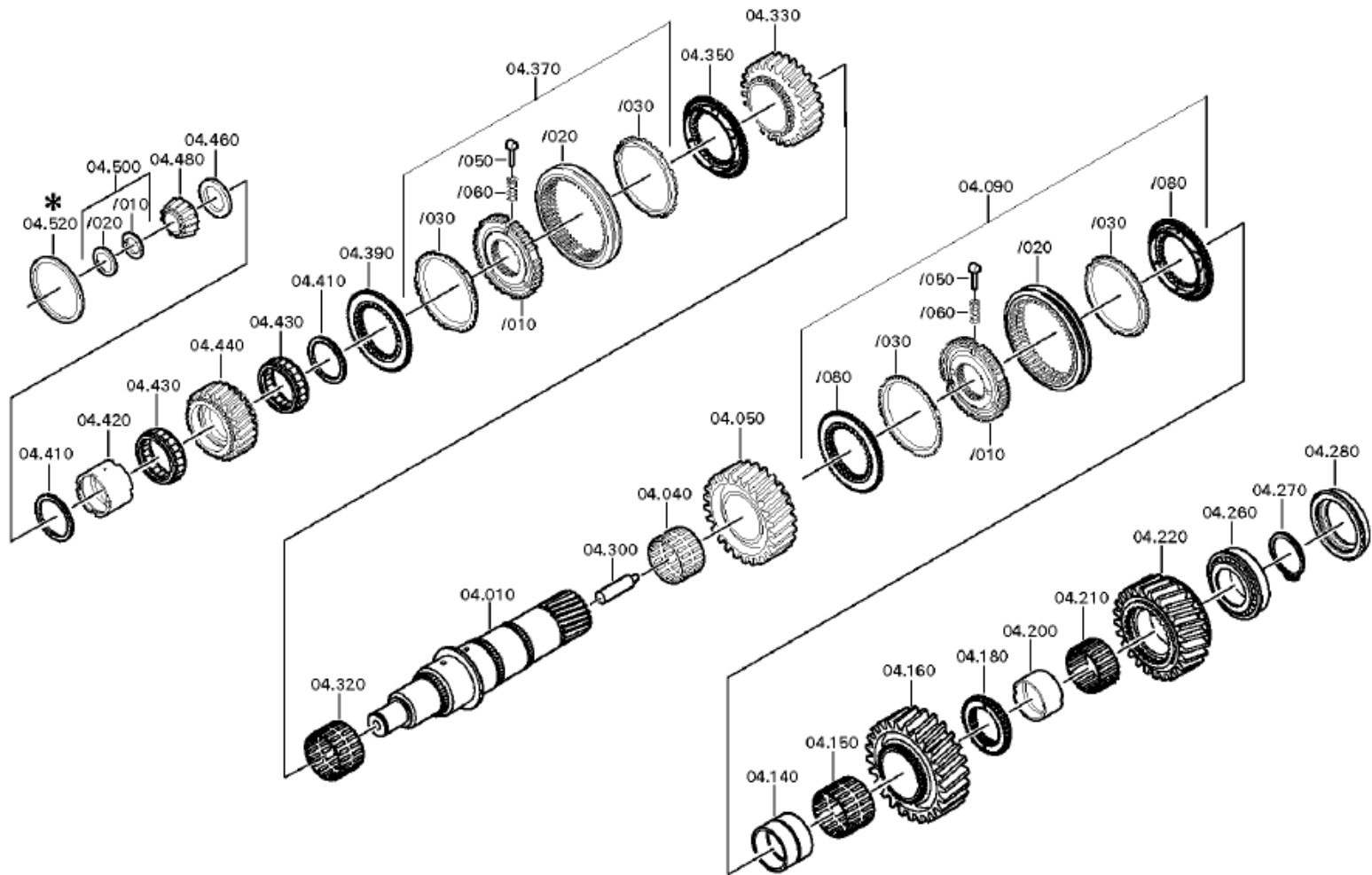
Material number: 1342.001.001

Plate: 068.04.13-1

Material-assembly-group-no: 1316.104.037

16 S 1920 TD /

MAIN SHAFT



# Parts list

Page 1 from 3

Material number: 1342.001.001

16 S 1920 TD /

Plate: 068.04.13-1

Material-assembly-group-no: 1316.104.037



Pos.	Material number	Customer material	Name	Quantity	ME	Amend. no.	Techn. Info.	Weight	Rep kit	Alternative material
10	1316.304.132		MAIN SHAFT	1				0,000		
40	0750.115.303	5 8158 0	NEEDLE CAGE	1			92,0X100,0X63,0	0,000		
50	1316.304.002	133-242-3900	HELICAL GEAR	1			2G/Z38 IN 1316 304 005(1)	0,000		
90	1356.204.007		SYNCHRONIZER	1		Z00006981310	KPL.1+2G*BK160 MOLYBDAEN*ECOSPLIT 3+4	0,000		
/10	1356.304.022		SYNCHROBODY	1		Z00006981313		0,000		
/20	1356.304.024	1865591	SLIDING SLEEVE	1		Z00006981313	ZF-BK 160	0,000		
/30	1316.304.170		SYNCHRO RING	2		Z00006981313		0,000		
/50	1297.304.436		PRESSURE PART	3		Z00006981313		0,004		
/60	0732.040.409		COMPRESSION SPRING	3		Z00006981313		0,002		
/80	1316.304.156	5 5366 0	CLUTCH BODY	2		Z00006981313		0,000		
140	1312.304.084	42480712	BUSH	1			ENTHALT.IN 1312 304 007(2)	0,000		
150	0750.115.327	5 8157 0	NEEDLE CAGE	1			96,0X104,0X72,0	0,000		
160	1316.304.010	1316304010	HELICAL GEAR	1			1G/Z47 IN 1312 304 033(0)	0,000		
180	1312.304.124		CLUTCH BODY	1			ENTHALT.IN 1312 304 055(0)	0,000		
200	1316.304.133	42480812	BUSH	1			A=50,00 IN 1312 304 010(2)	0,000		
210	0750.115.326	5 8156 0	NEEDLE CAGE	1			90,0X98,0X50,0	0,000		
220	---		HELICAL GEAR	1				0,000		
---	1316.304.012	133-242-3920	HELICAL GEAR	1			RG*Z44 IN 1312 304 125(0)	0,000		
260	0750.117.678	8 8114 0	TAPERED ROLLER BEARING	1			80,0X140,0X36,5	0,000		
270	---		RETAINING RING	1			H= 3,00- 3,65( ABSTUFUNG:0,05MM)	0,000		
---	0630.501.316	820-400-2580	RETAINING RING	1			80X3,5	0,000		
---	0630.501.336	H0109516	RETAINING RING	1			80X3,45	0,000		
---	0630.501.315	820-400-2582	RETAINING RING	1			80X3,4	0,000		
---	0630.501.335	H0109514	RETAINING RING	1			80X3,35	0,000		
---	0630.501.314	820-400-2584	RETAINING RING	1			80X3,3	0,000		

# Parts list

Page 2 from 3

Material number: 1342.001.001

16 S 1920 TD /

Plate: 068.04.13-1

Material-assembly-group-no: 1316.104.037



Pos.	Material number	Customer material	Name	Quantity	ME	Amend. no.	Techn. Info.	Weight	Rep kit	Alternative material
---	0630.501.334	820-400-2585	RETAINING RING	1			80X3,25	0,000		
---	0630.501.313	820-400-2586	RETAINING RING	1			80X3,2	0,000		
---	0630.501.333	820-400-2587	RETAINING RING	1			80X3,15	0,000		
---	0630.501.312	820-400-2588	RETAINING RING	1			80X3,1	0,000		
---	0630.501.337	820-400-2589	RETAINING RING	1			80X3,55	0,000		
---	0630.501.338	820-400-2590	RETAINING RING	1			80X3,6	0,000		
---	0630.501.339	820-400-2591	RETAINING RING	1			80X3,65	0,000		
280	1316.332.109		PRESSURE DISK	1		C01005404C10		0,000		
300	1312.304.150	5 5177 0	TUBE	1				0,000		
320	0750.115.303	5 8158 0	NEEDLE CAGE	1			92,0X100,0X63,0	0,000		
330	1316.304.008	133-242-3930	HELICAL GEAR	1			3G/Z34 IN 1312 304 135(1)	0,000		
350	1316.304.190		CLUTCH BODY	1		Z00006981311	ZF-BK 144 O	0,000		
370	1356.204.006		SYNCHRONIZER	1		Z00006981311	KPL.3+4G*BK144 MOLYBDAEN*ANSCHL. INTEGR VERST*ECOSPLIT 3+4	0,000		
/10	1356.304.019		SYNCHROBODY	1		Z00006981313		0,000		
/20	1356.304.023		SLIDING SLEEVE	1		Z00006981313	ZF-BK 144	0,000		
/30	1316.304.189	1832004	SYNCHRO RING	2		Z00006981313	ZF-BK 144	0,000		
/50	1297.304.436		PRESSURE PART	3		Z00006981313		0,004		
/60	0732.040.409		COMPRESSION SPRING	3		Z00006981313		0,002		
390	1316.304.190		CLUTCH BODY	1		Z00006981311	ZF-BK 144 O	0,000		
410	0750.101.158		THRUST WASHER	2				0,000		
420	0750.119.124	5 8910 0	INNER RING	1			67,0X77,0X66,1	0,000		
430	0750.115.531	5 8908 0	ROLLER CAGE	2			77,0X101,0X29,0	0,000		
440	1316.304.103	5 5341 0	HELICAL GEAR	1			Z32	0,000		
460	---		AXIAL WASHER	1			H= 7,30- 8,00( ABSTUFUNG:0,10MM)	0,000		
---	1315.304.048	5 5877 0	AXIAL WASHER	1			A=8,00 IN 1315 304 042(2)	0,000		
---	1315.304.047	5 5859 0	AXIAL WASHER	1			A=7,90 IN 1315 304 042(2)	0,000		

# Parts list

Page 3 from 3

Material number: 1342.001.001

16 S 1920 TD /

Plate: 068.04.13-1

Material-assembly-group-no: 1316.104.037



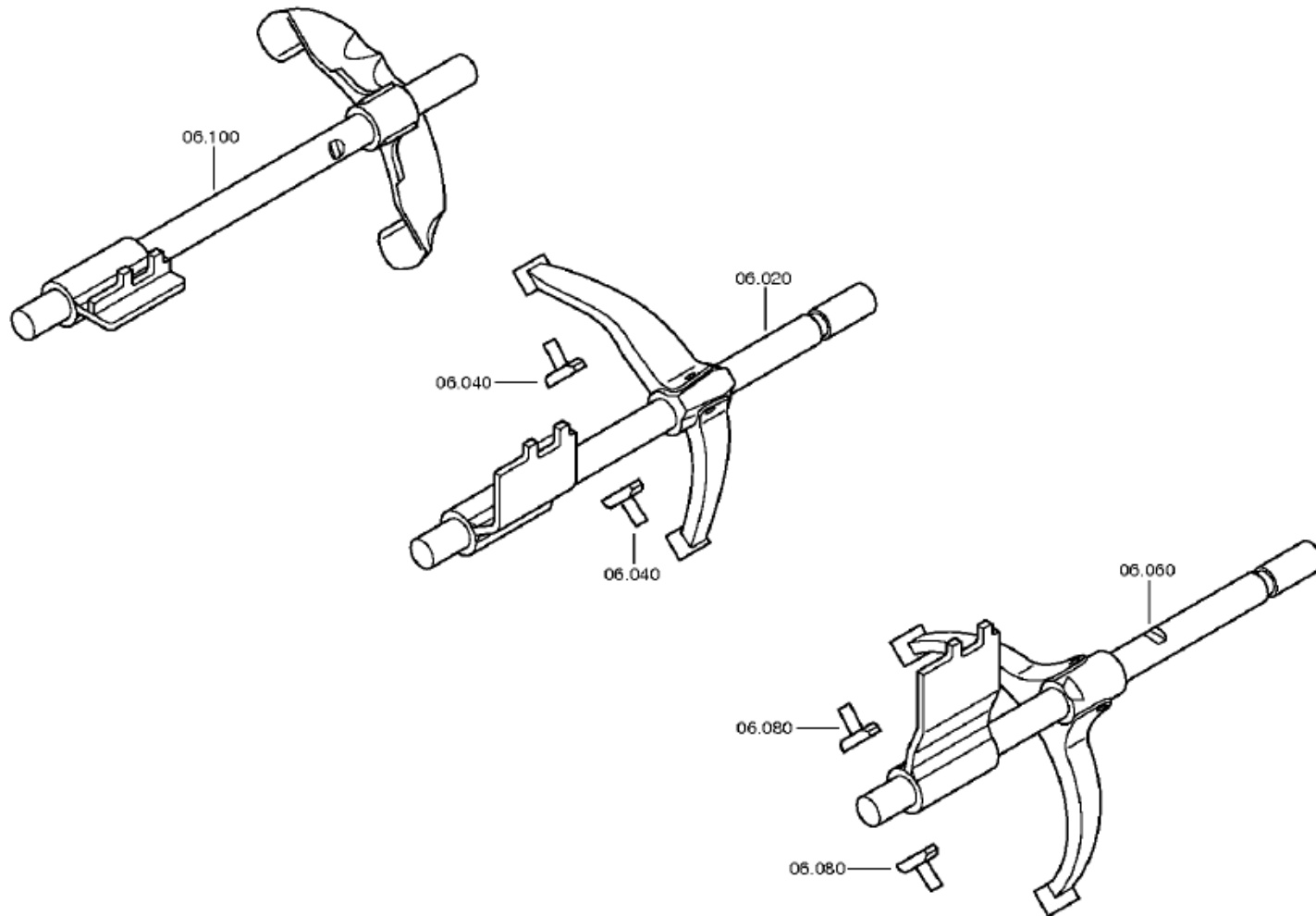
Pos.	Material number	Customer material	Name	Quantity	ME	Amend. no.	Techn. Info.	Weight	Rep kit	Alternative material
---	1315.304.046		AXIAL WASHER	1			A=7,80 IN 1315 304 042(2)	0,000		
---	1315.304.045	5 5858 0	AXIAL WASHER	1			A=7,70 IN 1315 304 042(2)	0,000		
---	1315.304.044		AXIAL WASHER	1			A=7,60 IN 1315 304 042(2)	0,000		
---	1315.304.043		AXIAL WASHER	1			A=7,50 IN 1315 304 042(2)	0,000		
---	1315.304.085		AXIAL WASHER	1			A=7,40 IN 1315 304 042(2)	0,000		
---	1315.304.086	1833949	AXIAL WASHER	1			A=7,30 IN 1315 304 042(2)	0,000		
480	0750.117.232	81.93501.0080	TAPERED ROLLER BEARING	1			42,0X40,3	0,000		
500	1312.204.040		SPLIT RING	1			GESTANZT	0,000		
/10	---		SPLIT RING	2			H= 4,60- 5,00( ABSTUFUNG:0,10MM)	0,000		
---	0730.107.023	820-400-2660	SPLIT RING	2			A=5,00 IN 0730 106 207(2)	0,000		
---	0730.107.022	820-400-2661	SPLIT RING	2			A=4,90 IN 0730 106 207(2)	0,000		
---	0730.107.021	820-400-2662	SPLIT RING	2			A=4,80 IN 0730 106 207(2)	0,000		
---	0730.107.020	820-400-2663	SPLIT RING	2			A=4,70 IN 0730 106 207(2)	0,000		
---	0730.107.019	820-400-2664	SPLIT RING	2			A=4,60 IN 0730 106 207(2)	0,000		
/20	0730.062.781	H0224840	RETAINING RING	1			ENTHALT.IN 0730 062 636(2)	0,000		

# Plant

Page 1 from 3

Material number: 1342.001.001  
Plate: 068.06.01-1  
SHIFT SYSTEM

16 S 1920 TD /  
SHIFT SYSTEM



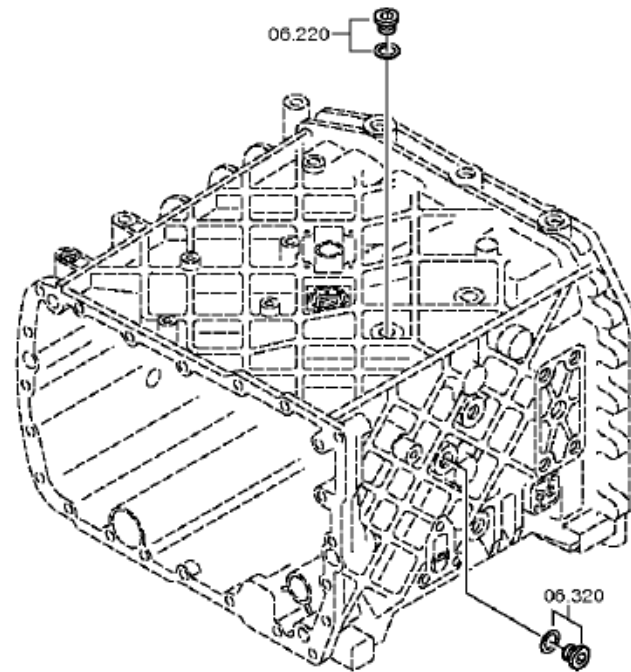


# Plant

Page 2 from 3

Material number: 1342.001.001  
Plate: 068.06.43-1  
SHIFT SYSTEM

16 S 1920 TD /  
SHIFT SYSTEM

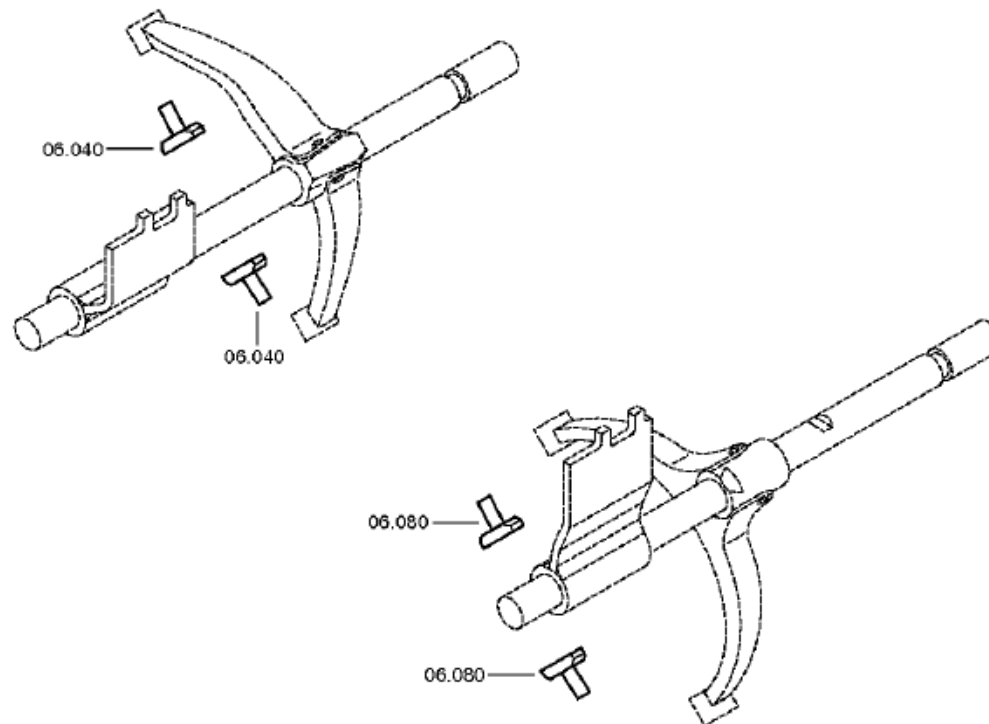


# Plant

Page 3 from 3

Material number: 1342.001.001  
Plate: 068.06.80-1  
SHIFT SYSTEM

16 S 1920 TD /  
SHIFT SYSTEM



# Parts list

Page 1 from 1

**Material number: 1342.001.001**      **16 S 1920 TD /**  
**Plate: 068.06.01-1**  
**Material-assembly-group-no: 1316.106.008**



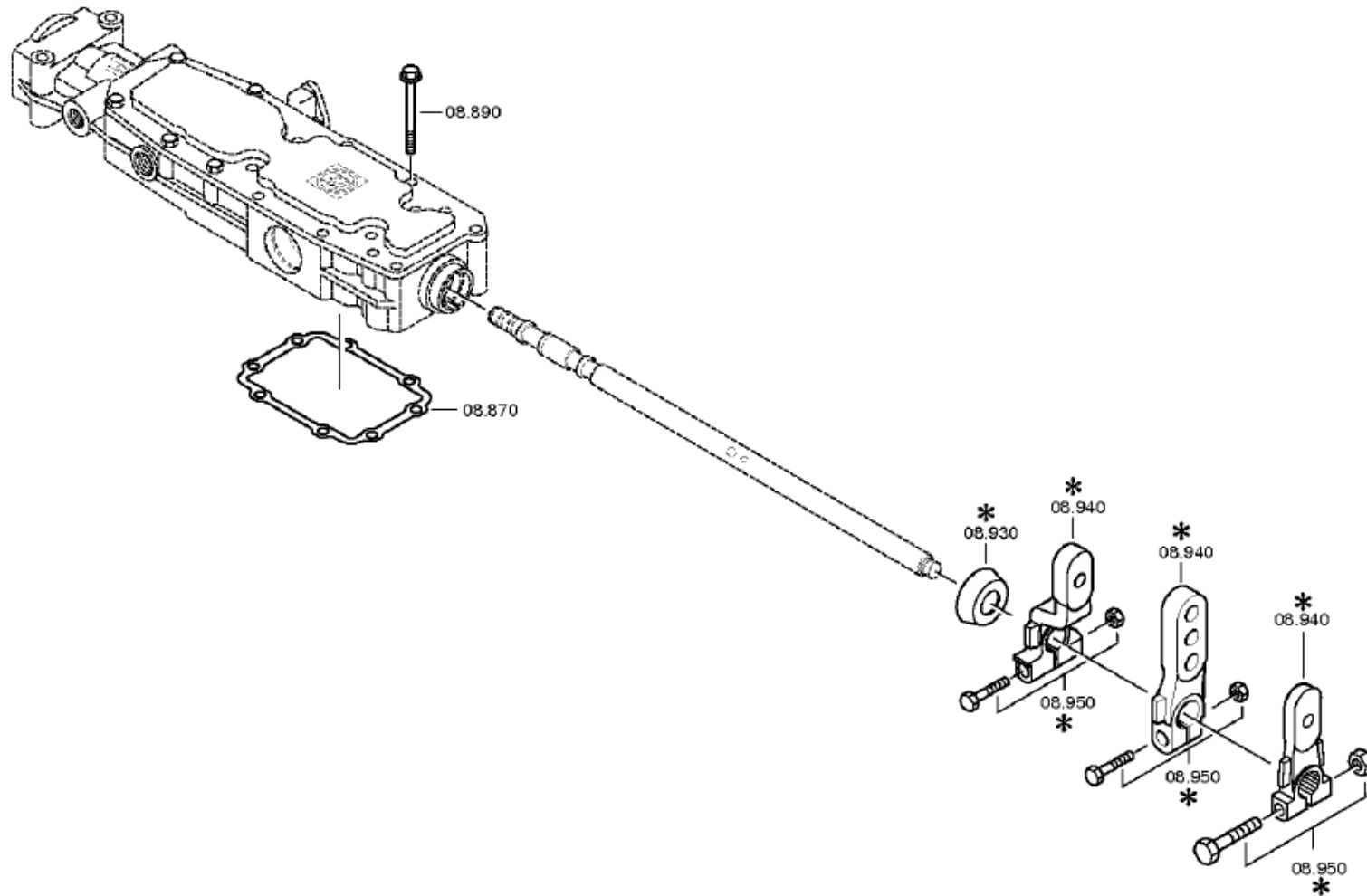
Pos.	Material number	Customer material	Name	Quantity	ME	Amend. no.	Techn. Info.	Weight	Rep kit	Alternative material
20	1316.206.055		GEAR SHIFT RAIL	1			1+2GANG*LANG*WI	0,000		
40	1316.306.015	5 5342 0	SLIDING PAD	2				0,000		
60	1316.206.058		GEAR SHIFT RAIL	1			3+4GANG*LANG*WI	0,000		
/10	1316.306.030		GEAR SHIFT RAIL	1				0,000		
/20	1325.306.028		GEAR SHIFT FORK	1			3/4G	0,000		
/50	0631.329.086		SLOTTED PIN	1			8X40	7,800		
/60	0631.329.057		SLOTTED PIN	1			5X40	3,200		
80	1316.306.015	5 5342 0	SLIDING PAD	2				0,000		
100	1316.206.061		GEAR SHIFT RAIL	1			R-GANG*LANG*WI	0,000		
/10	1316.306.028		GEAR SHIFT RAIL	1				0,000		
/20	1355.306.003		GEAR SHIFT FORK	1			RG	0,000		
/50	0631.329.086		SLOTTED PIN	1			8X40	7,800		
/60	0631.329.057		SLOTTED PIN	1			5X40	3,200		
220	---		SCREW PLUG	1		Z00010111513	35N.M*DICHTRING M18X1,5	0,000		
---	0636.100.791		SCREW PLUG	1		Z00010111521	M18X1,5	0,000		
---	0634.801.062		SEALING RING	1		Z00010111521	18X24	0,001		
320	---		SCREW PLUG	1		Z00010111513	35N.M*DICHTRING M18X1,5	0,000		
---	0636.100.791		SCREW PLUG	1		Z00010111521	M18X1,5	0,000		
---	0634.801.062		SEALING RING	1		Z00010111521	18X24	0,001		

# Plant

Page 1 from 6

Material number: 1342.001.001  
Plate: 068.07.81-1  
GEAR SHIFT SHAFT

16 S 1920 TD /  
GEAR SHIFT HOUSING

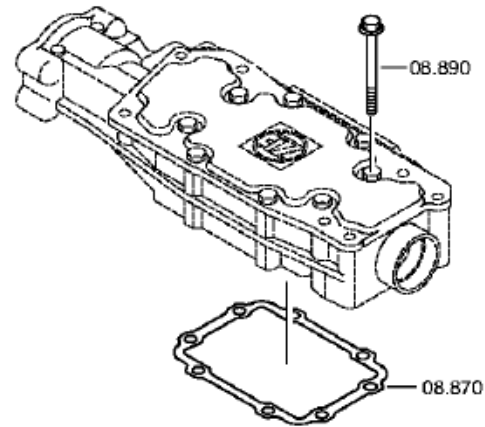


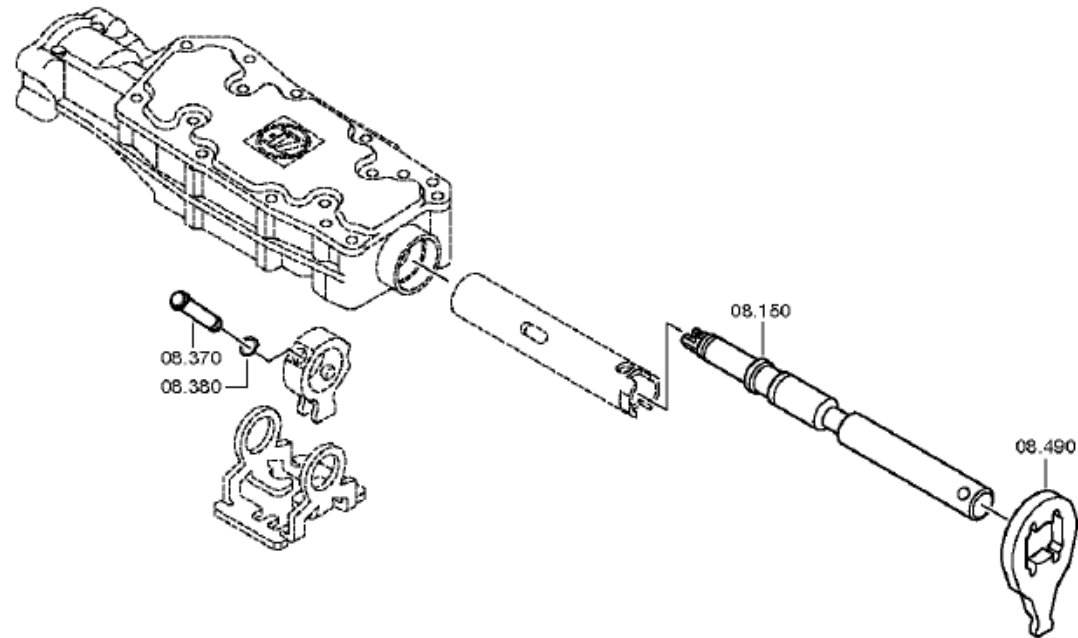
# Plant

Page 2 from 6

**Material number: 1342.001.001**  
**Plate: 161.07.81-1**  
**GEAR SHIFT SHAFT**

**16 S 1920 TD /**  
**GEAR SHIFT HOUSING**





## Plant

Page 4 from 6

**Material number: 1342.001.001**  
**Plate: 068.07.44-1**  
**GEAR SHIFT SHAFT**

**16 S 1920 TD /**  
**GEAR SHIFT HOUSING**



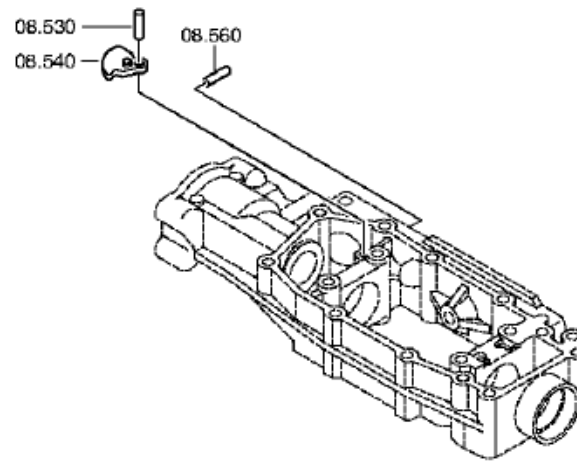
**There is presently no plate available for this parts list/ assembly.**

# Plant

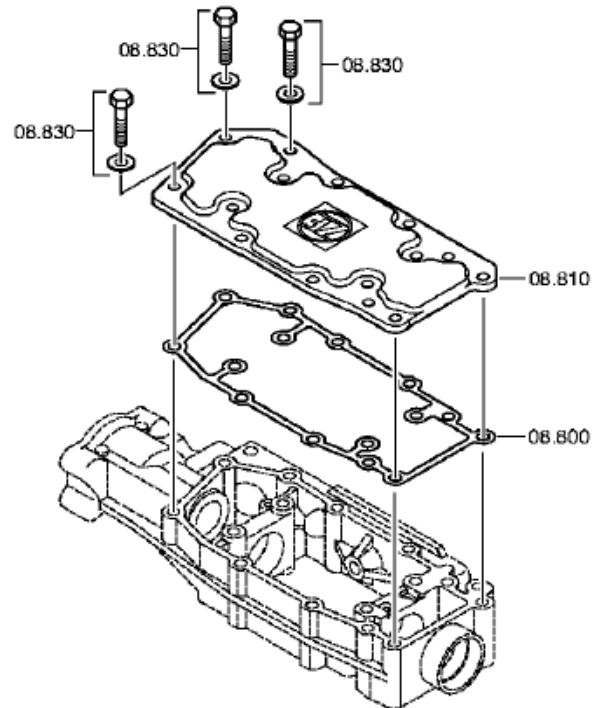
Page 5 from 6

**Material number: 1342.001.001**  
**Plate: 068.07.82-1**  
**GEAR SHIFT SHAFT**

**16 S 1920 TD /**  
**GEAR SHIFT HOUSING**







# Parts list

Page 1 from 1

Material number: 1342.001.001

16 S 1920 TD /

Plate: 068.07.81-1

Material-assembly-group-no: 1316.108.828



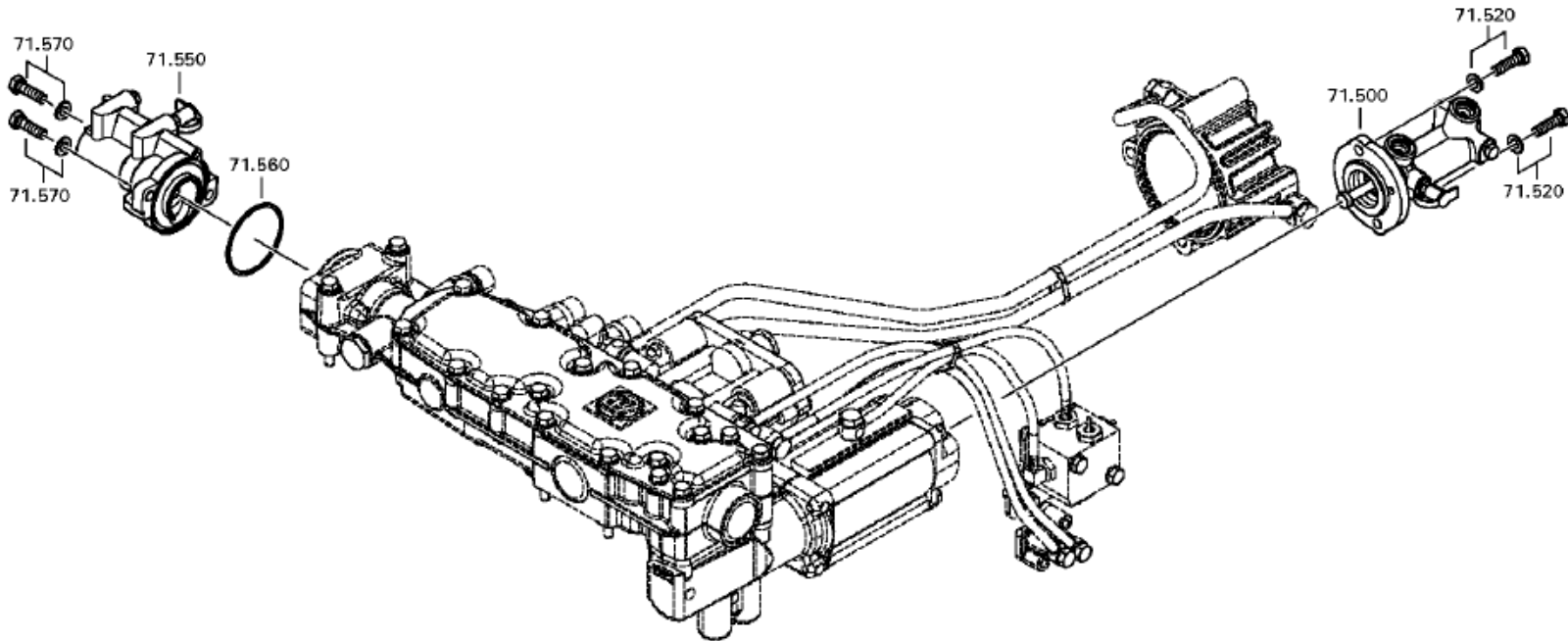
Pos.	Material number	Customer material	Name	Quantity	ME	Amend. no.	Techn. Info.	Weight	Rep kit	Alternative material
10	1341.307.010		GEAR SHIFT HOUSING	1				0,000		
20	0501.212.559		COVER	1			KPL.	0,000		
80	0631.306.123	190003901424	CYLINDRICAL PIN	1			8X24	10		
150	1315.307.443		GEAR SHIFT SHAFT	1				0,000		
300	1315.307.435		QUILL SHAFT	1			IN 1315 307 433(1)	0,000		
350	1341.307.055		DRIVER	1				0,000		
360	1341.307.053		LOCKING PIECE	1				0,000		
370	1316.208.003		PIN	1			KPL.	0,000		
380	0630.501.006	P0436202H	RETAINING RING	1			10X1	0,410		
490	1315.307.292		LEVER	1				0,000		
530	0731.201.726		PIN	1				0,000		
540	1315.307.455		LOCKING PAWL	1				0,000		
560	0731.201.726		PIN	1				0,000		
800	0501.322.265		GASKET	1		C01007911E10	METALOSEAL	0,000		
810	1315.307.419		COVER	1				0,000		
830	---		HEXAGON SCREW	3			M8X25	0,000		
---	0636.016.401		HEXAGON SCREW	3			M8X25	0,000		
---	0630.100.295		WASHER	3		Z00007158414		0,000		
870	1315.307.013	133-138-1020	GASKET	1				0,000		
890	0736.300.137	1197869	HEXAGON SCREW	8		Z00009195410	M8X80 M8X80	0,000		

# Plant

Page 1 from 3

Material number: 1342.001.001  
Plate: 068.08.26-1  
SELECTOR CYLINDER

16 S 1920 TD /  
SELECTOR CYLINDER

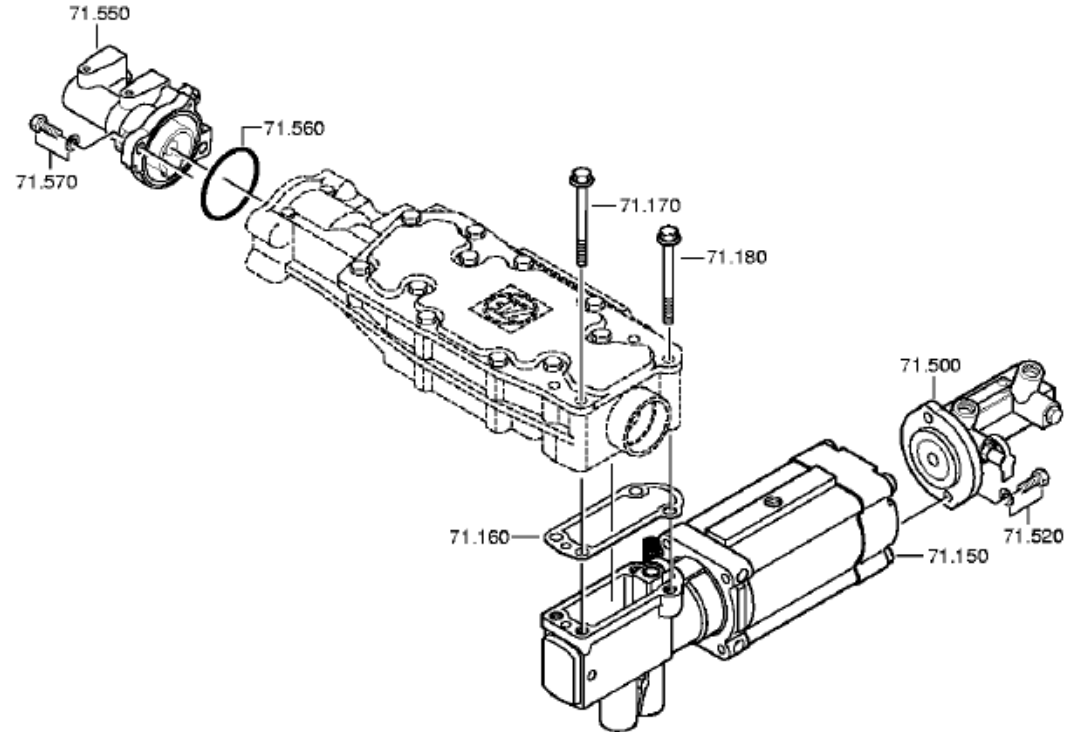


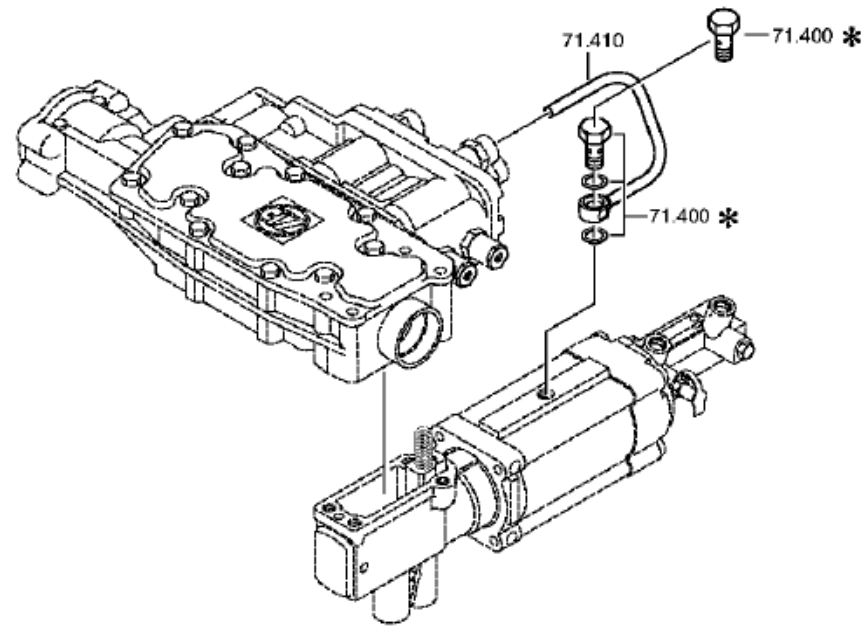
# Plant

Page 2 from 3

Material number: 1342.001.001  
Plate: 068.08.34-1  
SELECTOR CYLINDER

16 S 1920 TD /  
SELECTOR CYLINDER





# Parts list

Page 1 from 1

Material number: 1342.001.001

16 S 1920 TD /

Plate: 068.08.26-1

Material-assembly-group-no: 1341.171.001



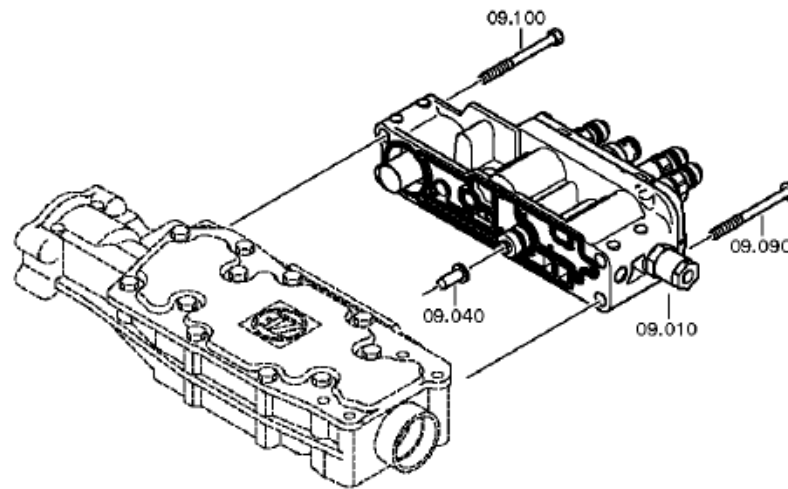
Pos.	Material number	Customer material	Name	Quantity	ME	Amend. no.	Techn. Info.	Weight	Rep kit	Alternative material
150	0501.215.299		PNEUMSERVOUNIT	1		C01004607E10	KPL.HGS 4	0,000		
160	1315.307.242		GASKET	1				0,000		
170	0736.300.137	1197869	HEXAGON SCREW	2		Z00009195410	M8X80 M8X80	0,000		
180	---		HEXAGON SCREW	2		Z00009195410	M8X80	0,000		
---	0736.300.137	1197869	HEXAGON SCREW	2		Z00009195414	M8X80 M8X80	0,000		
400	---		UNION SCREW	1			DROSSEL1.3 8	0,000		
---	0737.835.255		UNION SCREW	1		Z00013005810	M12X1,5 DROSSEL 1,3	0,000		
---	0634.801.331		SEALING RING	1			12X18	0,000		
410	1315.245.051		TUBE	1			KPL.PSE-VENTILBLOCK	0,000		
500	0501.213.653		SHIFT CYLINDER	1			KPL.	0,000		
520	---		HEXAGON BOLT	2		Z00014792610		0,000		
---	0636.100.797		HEXAGON SCREW	2		Z00014792611	M8X30	0,000		
---	0630.100.295		WASHER	2		Z00014792611		0,000		
550	0501.213.654		SELECTOR CYLINDER	1			KPL.	0,000		
560	0734.303.046		O-RING	1			KONGSBERG	0,000		
570	---		HEXAGON BOLT	2		Z00014792610		0,000		
---	0636.100.797		HEXAGON SCREW	2		Z00014792611	M8X30	0,000		
---	0630.100.295		WASHER	2		Z00014792611		0,000		

# Plant

Page 1 from 2

Material number: 1342.001.001  
Plate: 068.09.03-1  
CONNECTING PARTS

16 S 1920 TD /  
CONNECTING PARTS

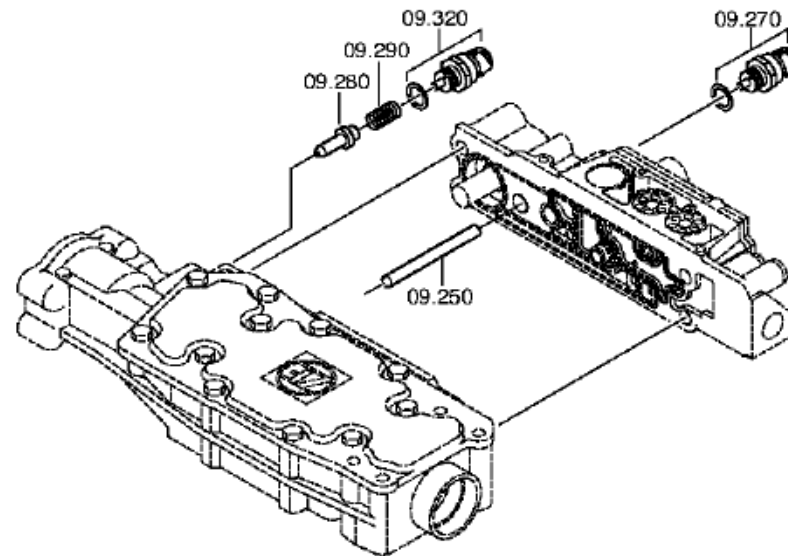


# Plant

Page 2 from 2

Material number: 1342.001.001  
Plate: 068.09.08-1  
CONNECTING PARTS

16 S 1920 TD /  
CONNECTING PARTS





# Parts list

Page 1 from 1

Material number: 1342.001.001

16 S 1920 TD /

Plate: 068.09.03-1

Material-assembly-group-no: 1341.109.025



Pos.	Material number	Customer material	Name	Quantity	ME	Amend. no.	Techn. Info.	Weight	Rep kit	Alternative material
10	0501.219.311		VALVE BLOCK	1		Z00019874610		0,000		
40	1315.307.404		TAPPET	1				0,000		
90	---		HEXAGON SCREW	3			M8X95	0,000		
---	0636.100.524		HEXAGON SCREW	3		Z00009105710	M8X95	0,000		
---	0630.100.295		WASHER	3		Z00007158414		0,000		
100	0636.024.526	1896742	HEXAGON SCREW	2		Z00007055410	M8X70	0,000		
250	0731.201.727		PIN	1			A=83,50 IN 0731 201 445(2)	0,000		
270	---		SWITCH	1		Z00004287211	OEFF*45N.M*DICHTRING* BAJONETT*SCHUTZKAPPE	0,000		
---	0501.219.856	1946804	SWITCH	1			OEFFNER DIN BAJONETT	0,000		
---	0634.801.062		SEALING RING	1			18X24	0,001		
280	1315.307.414		BOLT	1				0,000		
290	0732.041.500		COMPRESSION SPRING	1				0,000		
320	---		TAPPET SWITCH	1		Z00004287211	SCHL*45N.M*DICHTRING* BAJONETT CODIERT A2* SCHUTZKAPPE	0,000		
---	0501.212.606	1745013	TAPPET SWITCH	1			KPL.	0,000		
---	0634.801.062		SEALING RING	1			18X24	0,001		
---	0700.300.427		PROTECTION CAP	1				0,005		

# Plant

Page 1 from 1

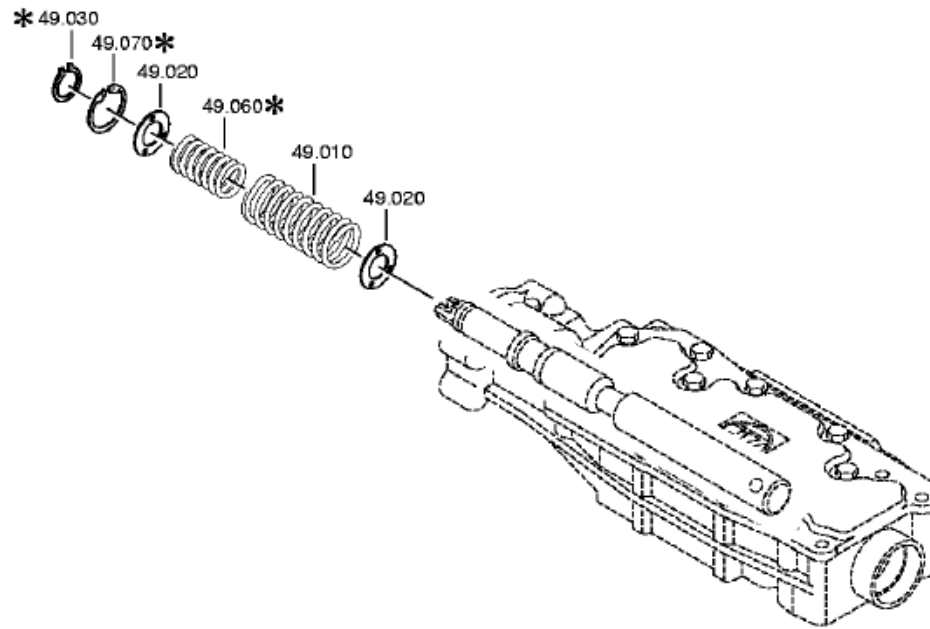
Material number: 1342.001.001

Plate: 068.12.07-1

Material-assembly-group-no: 1316.149.029

16 S 1920 TD /

SET OF SPRINGS



# Parts list

Page 1 from 1

Material number: 1342.001.001

16 S 1920 TD /

Plate: 068.12.07-1

Material-assembly-group-no: 1316.149.029



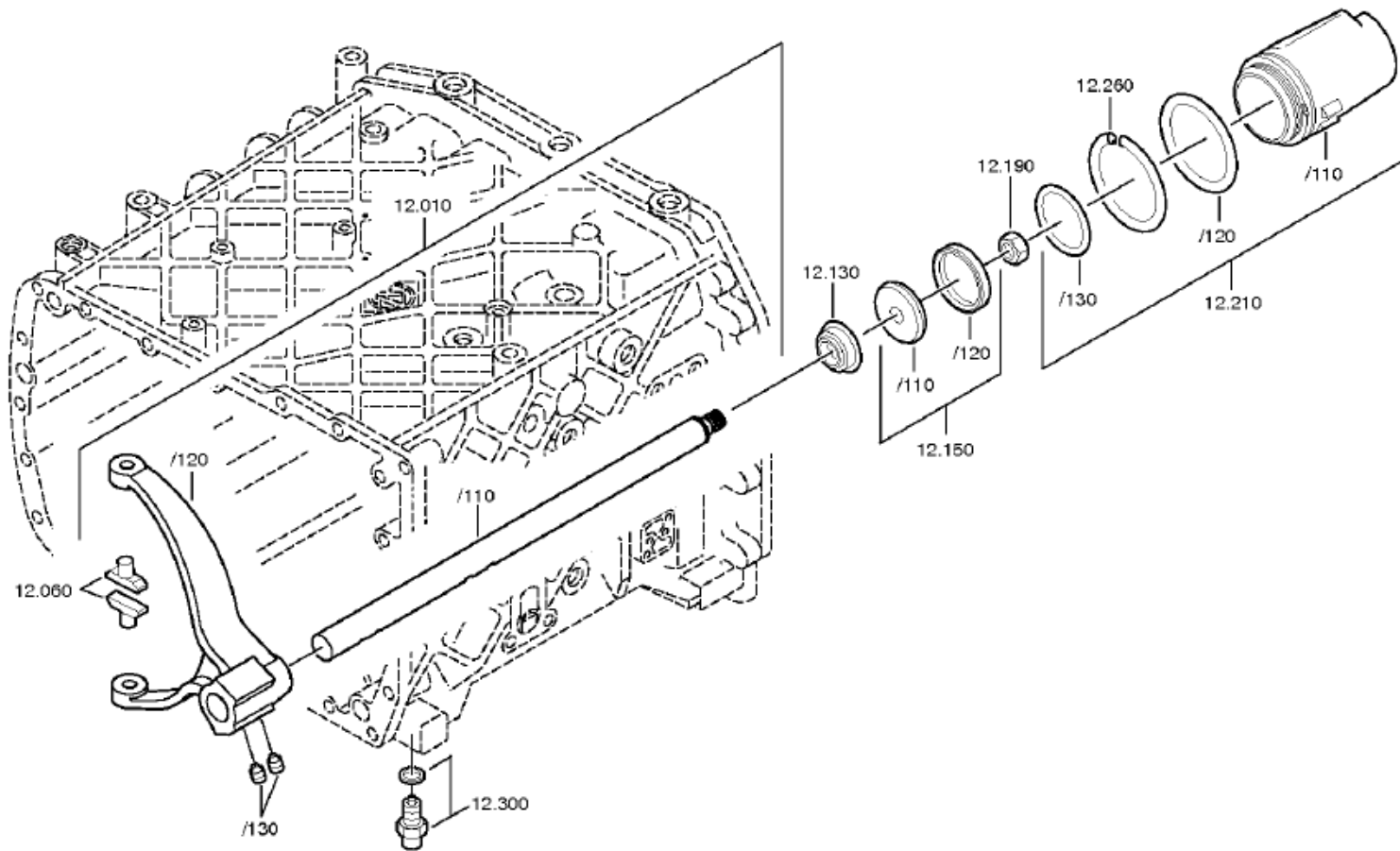
Pos.	Material number	Customer material	Name	Quantity	ME	Amend. no.	Techn. Info.	Weight	Rep kit	Alternative material
10	0732.042.684		COMPRESSION SPRING	1				0,000		
20	0730.301.376	1884285	WASHER	2		Z00008917410		0,000		
30	0630.532.138	5004143	V-RING	1				0,000		
60	0732.042.106		COMPRSPRING	1				0,000		

# Plant

Page 1 from 2

Material number: 1342.001.001  
Plate: 068.40.04-1  
GV-SHIFT SYSTEM

16 S 1920 TD /  
GV-SHIFT SYSTEM

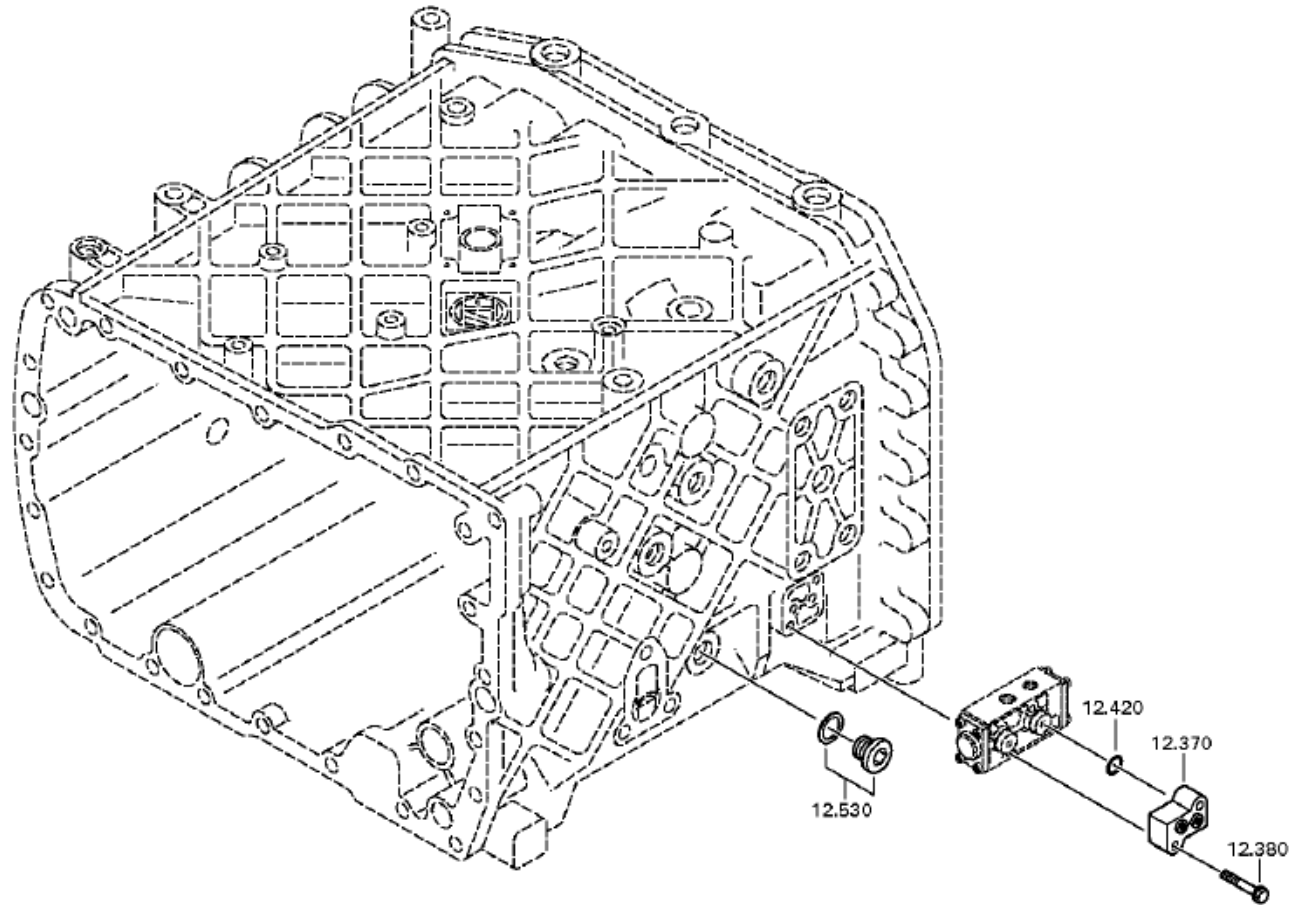


# Plant

Page 2 from 2

Material number: 1342.001.001  
Plate: 068.40.43-1  
GV-SHIFT SYSTEM

16 S 1920 TD /  
GV-SHIFT SYSTEM



# Parts list

Page 1 from 1

Material number: 1342.001.001

16 S 1920 TD /

Plate: 068.40.04-1

Material-assembly-group-no: 1316.112.012



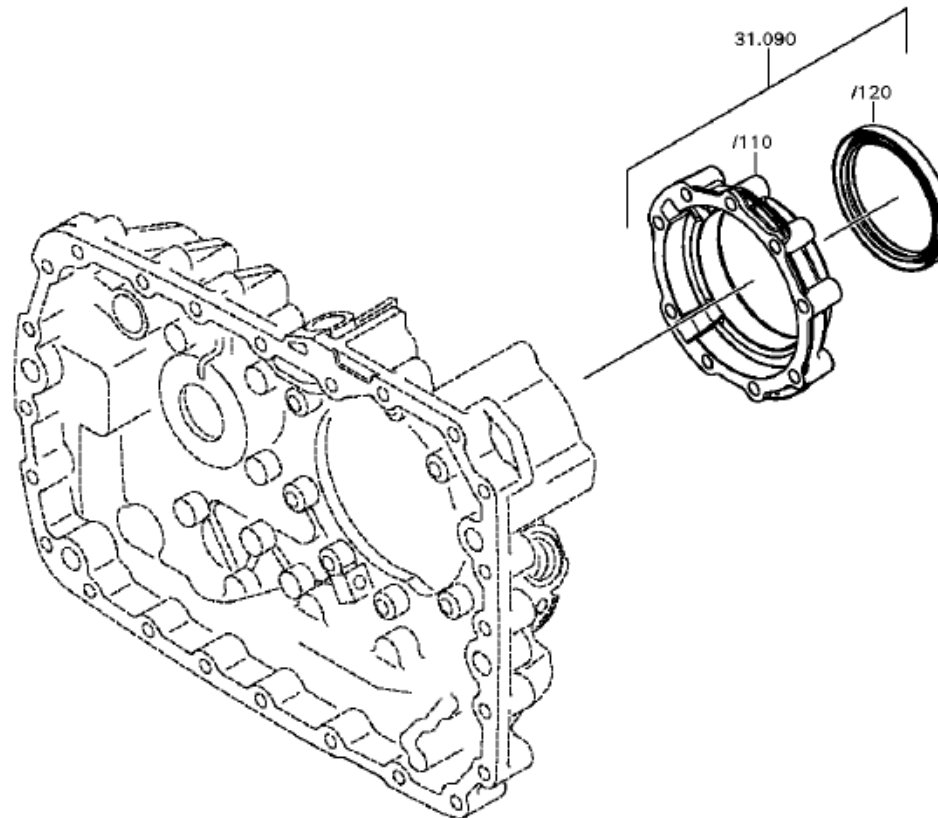
Pos.	Material number	Customer material	Name	Quantity	ME	Amend. no.	Techn. Info.	Weight	Rep kit	Alternative material
10	1316.212.010		GEAR SHIFT RAIL	1			KPL.GV.LAG.GEH.1	0,000		
/110	1316.312.023		GEAR SHIFT RAIL	1				0,000		
/120	1315.312.074		GEAR SHIFT FORK	1			GV ECO 3	0,000		
/130	1315.312.047	42172912	SET SCREW	2			M12X1	0,000		
60	1316.306.015	5 5342 0	SLIDING PAD	2				0,000		
130	0750.112.131	8 8342 0	FLANGE PACKING	1		Z00003588010	25X40X15	0,000		
150	1315.212.008	1831971	PISTON	1			KPL.	0,000		
/110	---		PISTON	1			GV SINTER/STAHL	0,000		
---	1315.312.020		PISTON	1			GV	0,000		
---	1315.312.003		PISTON	1			GV	0,000		
/120	0750.112.177	8 8697 0	DOUBLE U-PACKING	1			55X63X9,4	0,000		
190	0737.300.037		LOCKING NUT	1			MS16X1,5	0,000		
210	1316.212.007		CYLINDER	1			KPL.	0,000		
/110	1316.312.015		CYLINDER	1			ENTHALT.IN 1315 312 033(1)	0,000		
/120	0634.313.018		O-RING	1			82X3	0,000		
/130	0634.313.320	8 8327 0	O-RING	1			67X3	0,003		
260	1315.312.034		SPRING	1				0,000		
300	---		DETENT PLUNGER	1			235N*50N.M	0,000		
---	1324.207.033	H0472564	DETENT PLUNGER	1			KPL. *235 N	0,000		
---	0730.008.604		SEALING RING	1		C01009860C10		0,000		
370	1315.312.063		CONNECTING HOUSING	1				0,000		
380	---		HEXAGON SCREW	2		C01008481A10	M6X40	0,000		
---	0636.010.740		HEXAGON SCREW	2			M6X40	0,000		
---	0630.001.139	S0643476	WASHER	2		Z00007164311		0,000		
420	0634.314.020	5 8267 0	O-RING	2			8X2	0,000		
530	---		SCREW PLUG	1		Z00010111513	35N.M*DICHTRING M18X1,5	0,000		
---	0636.100.791		SCREW PLUG	1		Z00010111521	M18X1,5	0,000		
---	0634.801.062		SEALING RING	1		Z00010111521	18X24	0,001		

# Plant

Page 1 from 5

**Material number: 1342.001.001**  
**Plate: 068.43.21-1**  
**RC HOUSING**

**16 S 1920 TD /**  
**COVER**

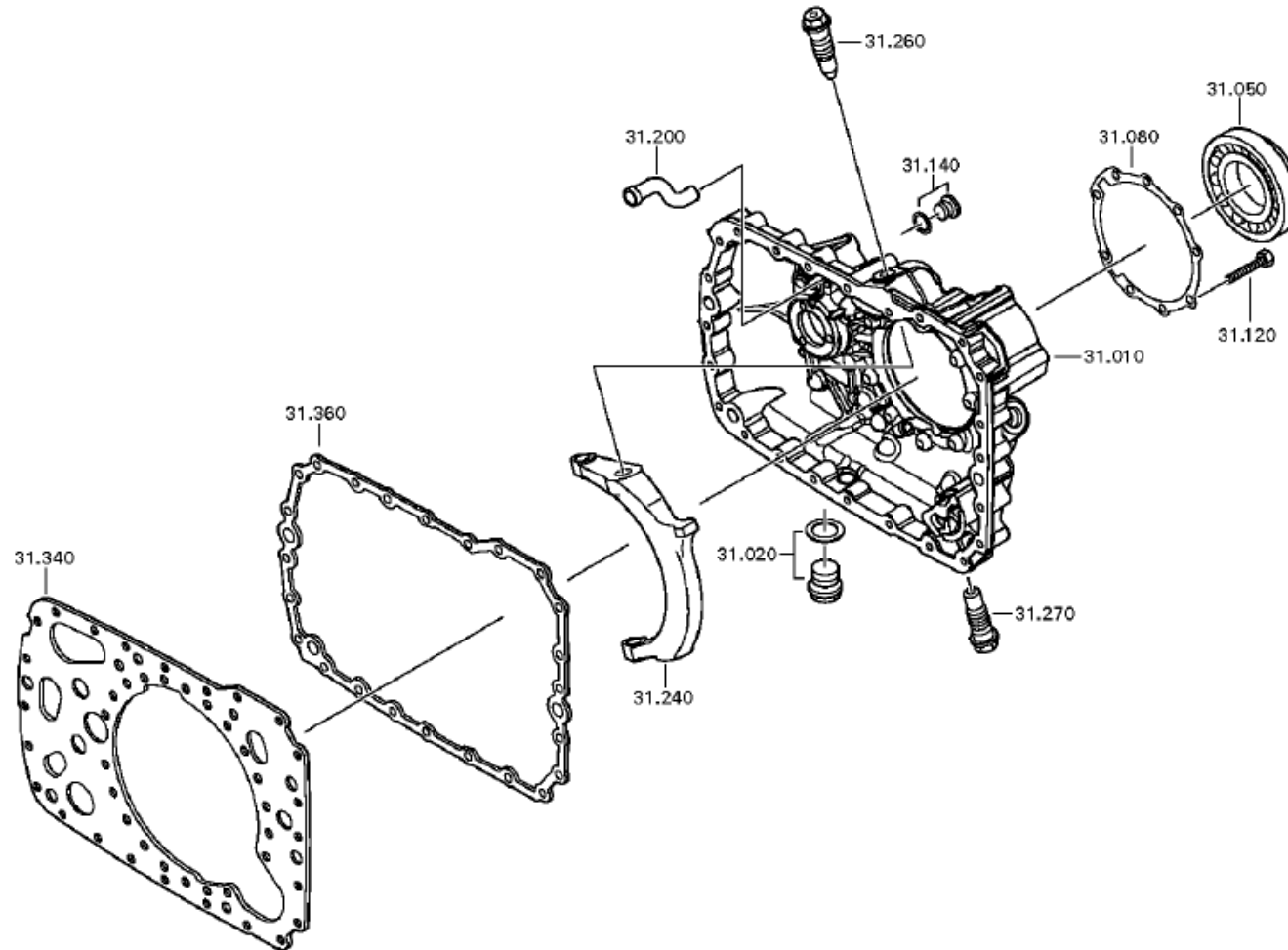


# Plant

Page 2 from 5

Material number: 1342.001.001  
Plate: 068.43.06-1  
RC HOUSING

16 S 1920 TD /  
COVER



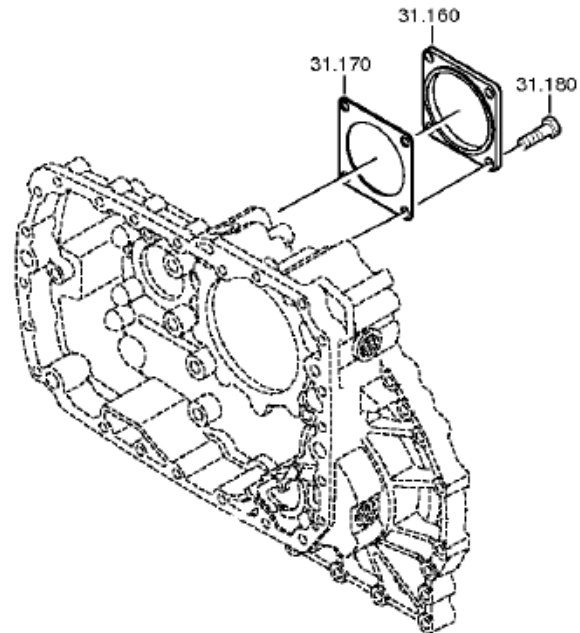


# Plant

Page 3 from 5

**Material number: 1342.001.001**  
**Plate: 068.43.40-1**  
**RC HOUSING**

**16 S 1920 TD /**  
**COVER**

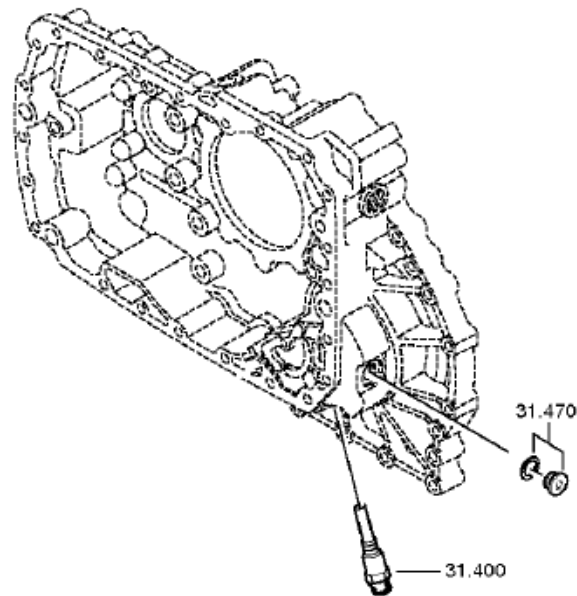


# Plant

Page 4 from 5

**Material number: 1342.001.001**  
**Plate: 068.43.41-1**  
**RC HOUSING**

**16 S 1920 TD /**  
**COVER**

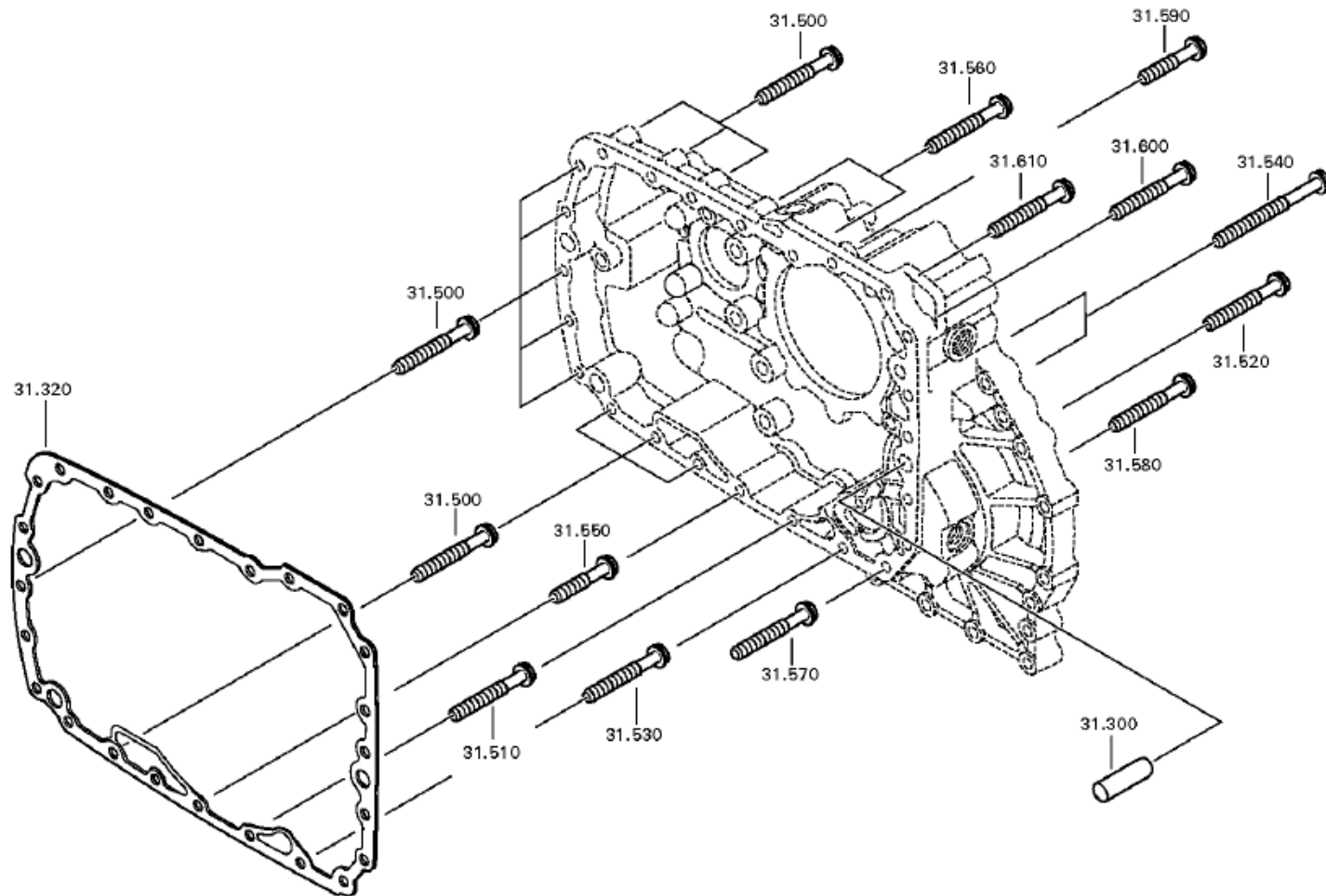


# Plant

Page 5 from 5

Material number: 1342.001.001  
Plate: 068.43.80-1  
RC HOUSING

16 S 1920 TD /  
COVER



# Parts list

Page 1 from 2

Material number: 1342.001.001

16 S 1920 TD /

Plate: 068.43.21-1

Material-assembly-group-no: 1315.131.047



Pos.	Material number	Customer material	Name	Quantity	ME	Amend. no.	Techn. Info.	Weight	Rep kit	Alternative material
10	1315.301.224		HOUSING	1			ENTHALT.IN 1315 301 222(0)	0,000		
20	---		SCREW PLUG	1		Z00010112111	60N.M*DICHTRING M24X1,5	0,000		
---	0636.304.088		SCREW PLUG	1		Z00010112110	M24X1,5	0,000		
---	0730.008.637		SEALING RING	1		Z00010112110	24X29	0,000		
50	0750.116.394	5 8092 0	BALL BEARING	1		C01007214E10	90,0X160,0X30,0	0,000		
80	1315.331.001		GASKET	1		C01005350C10		0,000		
90	1315.231.004		COVER	1			KPL.	0,000		
/120	0750.111.341	8 8812 0	SHAFT SEAL	1			105X130X12	0,000		
120	0636.016.405		HEXAGON SCREW	9		Z00007060111	M10X60	0,000		
140	---		SCREW PLUG	1		C01004359F10	15N.M*DICHTRING M10X1	0,000		
---	0636.100.793		SCREW PLUG	1		Z00010111613	M10X1	0,000		
---	0730.008.055		SEALING RING	1			10X14	0,000		
160	1328.301.170	1878388	COVER	1		Z00008068010		0,000		
170	1238.308.201	5006880	GASKET	1			ENTHALT.IN 1238 308 202(2)	0,000		
180	0636.016.406		HEXAGON SCREW	4		Z00007061014	M12X25	0,000		
200	1296.301.008	70561090	SPRAY TUBE	1				0,000		
240	1315.334.039		GEARSHIFT FORK	1				0,000		
260	---		SWIVEL SCREW	1		Z00004075611	O.SCHEIBE M24X1,5 SK6	0,000		
---	1315.334.074	1877888	SWIVEL SCREW	1		Z00004075610		0,000		
270	---		SWIVEL SCREW	1		Z00004075611	O.SCHEIBE M24X1,5 SK6	0,000		
---	1315.334.074	1877888	SWIVEL SCREW	1		Z00004075610		0,000		
300	0731.201.563		CYLINDRICAL PIN	3				0,000		
320	1316.301.042	133-158-1320	GASKET	1				0,000		
340	1315.301.118	H0166247	INTERMEDIATE PLATE	1			ENTHALT.IN 1315 301 144(0)	0,000		
360	1316.301.042	133-158-1320	GASKET	1				0,000		
400	---		PULSE SENSOR	1		Z00004287211	35N.M*FLAE.DICHTG* BAJO*KITAS2*EXPL. GESCH*SOLO*L=90,0* SCHUKA	0,000		

# Parts list

Page 2 from 2

Material number: 1342.001.001

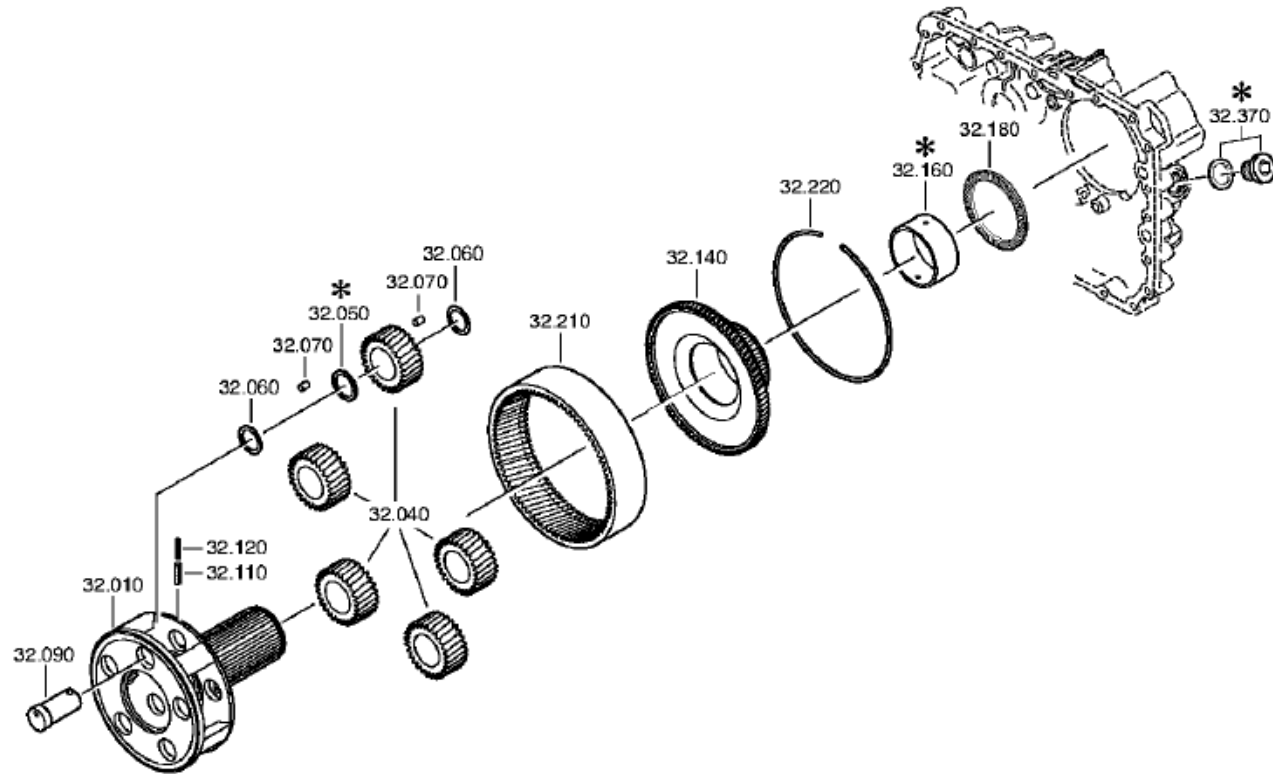
16 S 1920 TD /

Plate: 068.43.21-1

Material-assembly-group-no: 1315.131.047



Pos.	Material number	Customer material	Name	Quantity	ME	Amend. no.	Techn. Info.	Weight	Rep kit	Alternative material
---	0501.220.120		PULSE SENSOR	1		Z00016413611		0,000		
470	---		SCREW PLUG	1		Z00010111513	35N.M*DICHTRING M18X1,5	0,000		
---	0636.100.791		SCREW PLUG	1		Z00010111521	M18X1,5	0,000		
---	0634.801.062		SEALING RING	1		Z00010111521	18X24	0,001		
500	0736.300.123	1880233	HEXAGON SCREW	11			M10X70 M10X70	0,000		
510	0736.300.123	1880233	HEXAGON SCREW	1			M10X70 M10X70	0,000		
520	0736.300.123	1880233	HEXAGON SCREW	1			M10X70 M10X70	0,000		
530	0736.300.123	1880233	HEXAGON SCREW	1			M10X70 M10X70	0,000		
540	0736.300.122		HEXAGON SCREW	2		Z00009403110	M10X110 M10X110	0,000		
550	0736.300.134		HEXAGON SCREW	1		Z00011103210	M10X45 M10X45	0,000		
560	0736.300.123	1880233	HEXAGON SCREW	2			M10X70 M10X70	0,000		
570	0736.300.123	1880233	HEXAGON SCREW	1			M10X70 M10X70	0,000		
580	0736.300.123	1880233	HEXAGON SCREW	1			M10X70 M10X70	0,000		
590	0736.300.134		HEXAGON SCREW	1		Z00011103210	M10X45 M10X45	0,000		
600	0736.300.123	1880233	HEXAGON SCREW	1			M10X70 M10X70	0,000		
610	0736.300.123	1880233	HEXAGON SCREW	1			M10X70 M10X70	0,000		

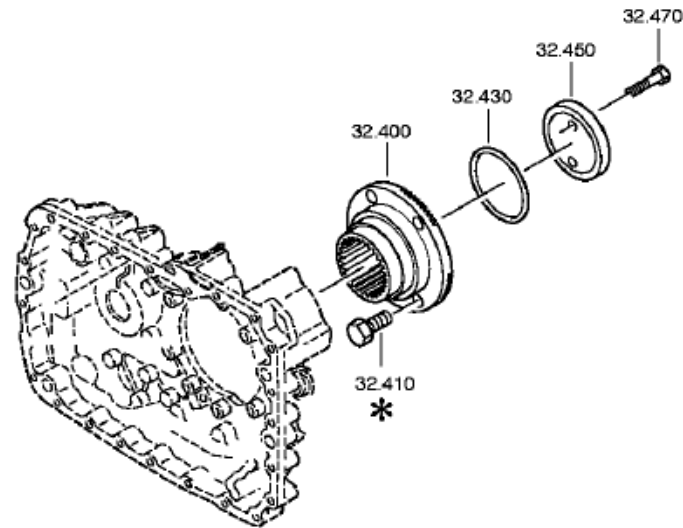


# Plant

Page 2 from 2

Material number: 1342.001.001  
Plate: 068.44.41-1  
PLANETARY DRIVE

16 S 1920 TD /  
PLANETARY DRIVE



# Parts list

Page 1 from 1

Material number: 1342.001.001

16 S 1920 TD /

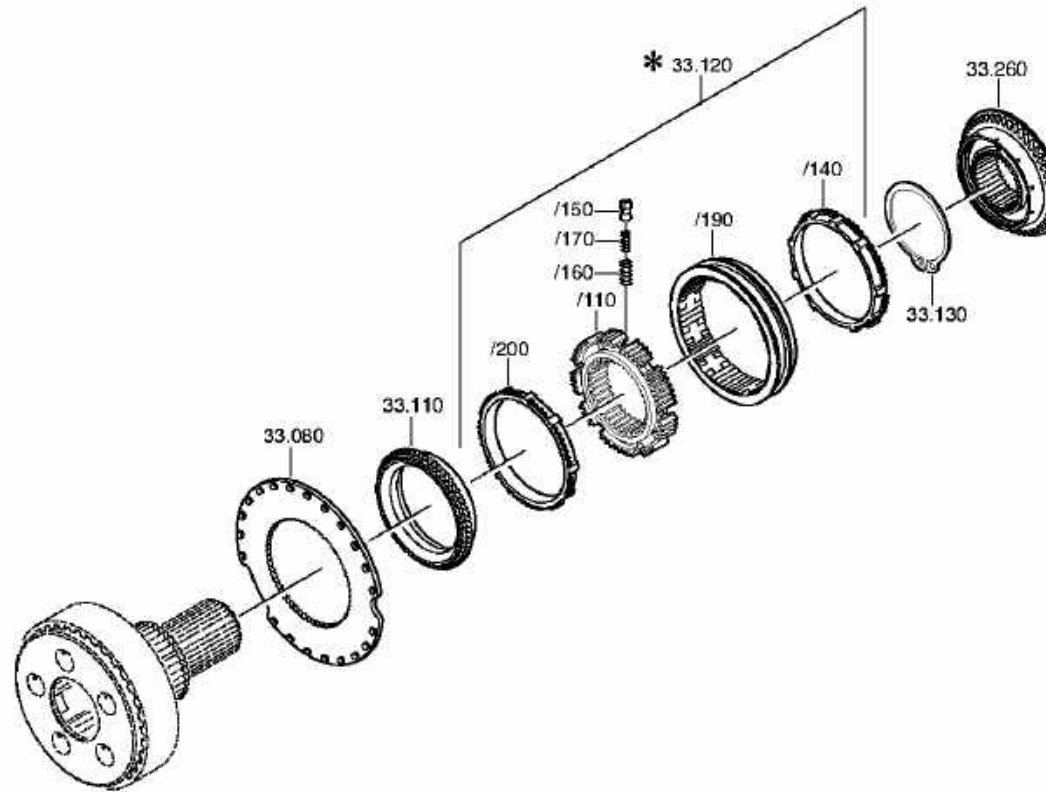
Plate: 068.44.07-1

Material-assembly-group-no: 1315.132.015



Pos.	Material number	Customer material	Name	Quantity	ME	Amend. no.	Techn. Info.	Weight	Rep kit	Alternative material
10	1315.232.027		PLANET CARRIER	1		Z00014438011		0,000		
40	1315.232.010	5 5353 0	PLANET GEAR SET	1			KPL.	0,000		
60	0730.107.168		INTERMEDIATE WASHER	15			A=1,00 IN 0730 105 951(2)	0,000		
70	0750.119.116	42140312	ROLLER	140			10,0X16,8	0,010		
90	1315.332.091		PLANET SHAFT	5		Z00014438011		0,000		
110	0631.329.147		SLOTTED PIN	5		Z00014438011	6X26	0,000		
120	0631.329.261		SLOTTED PIN	5			3,5X26	0,000		
140	1316.332.130		RING GEAR CARRIER	1		C01007305F10		0,000		
160	1316.333.014		INTERMEDIATE RING	1				0,000		
180	0735.298.169	5 8159 0	AXIAL NEEDLE BEARING	1			104,5X128,4X10,0 FA.INA	0,000		
210	1315.332.041	5 5867 0	RING GEAR	1			IN 1316 332 055(1)	0,000		
220	0730.513.583		LOCKING WIRE	1			A=3,20 IN 0730 505 052(2)	0,000		
400	1297.333.110	H0176297	OUTPUT FLANGE	1			ENTHALT.IN 1314 332 007(0)	0,000		
430	0634.313.805		O-RING	1		C01007959910	82X4	0,000		
450	1312.332.028		WASHER	1				0,000		
470	0636.011.777		HEXAGON SCREW	2		Z00007292012	M12X60	0,000		



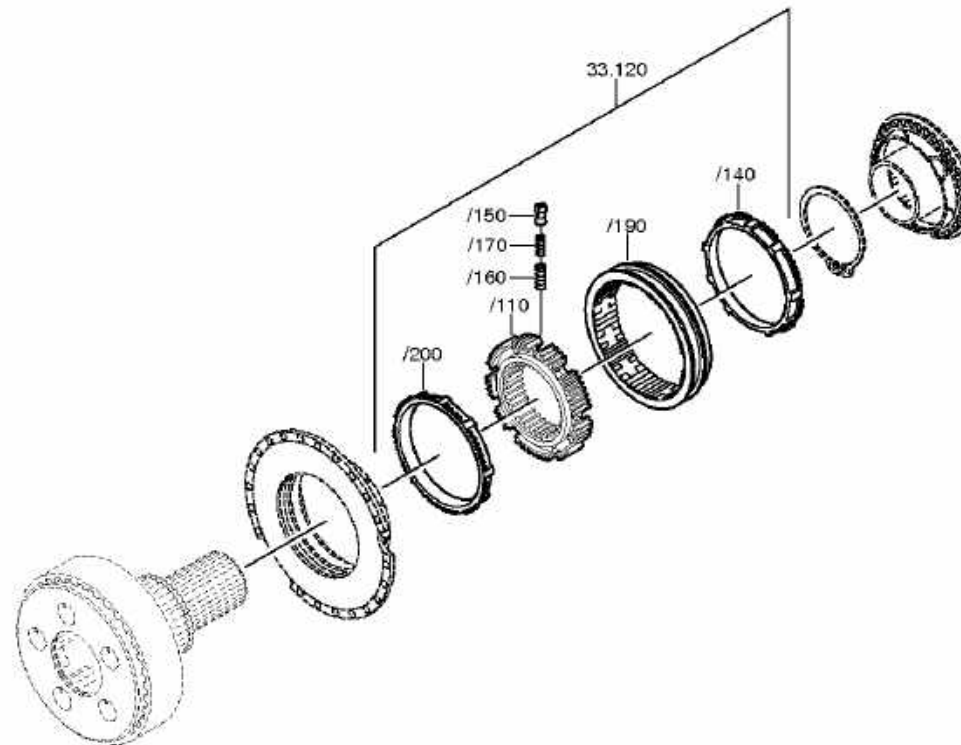


# Plant

Page 2 from 2

Material number: 1342.001.001  
Plate: 068.45.40-1  
SYNCHRONIZER

16 S 1920 TD /  
SYNCHRONIZER



# Parts list

Page 1 from 1

Material number: 1342.001.001

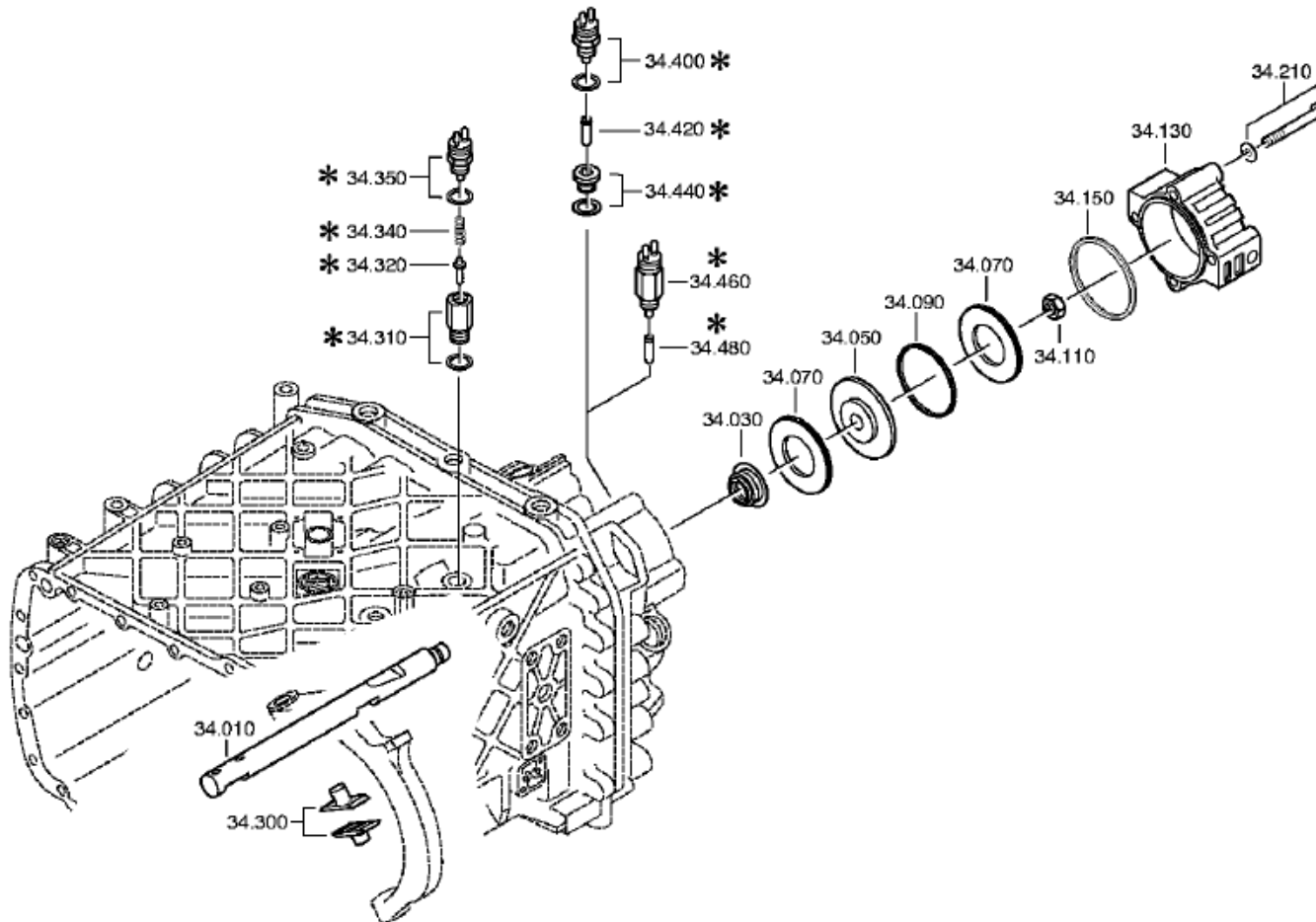
16 S 1920 TD /

Plate: 068.45.04-1

Material-assembly-group-no: 1316.133.008



Pos.	Material number	Customer material	Name	Quantity	ME	Amend. no.	Techn. Info.	Weight	Rep kit	Alternative material
80	1296.333.046		CLUTCH DISC	1			ENTHALT.IN 1296 333 051(1)	0,000		
110	1296.333.050	5 5302 0	CLUTCH BODY	1		C01002627A10	ENTHALT.IN 1296.333. 053(1)	0,000		
120	1316.233.022		SYNCHRONIZER	1			KPL.PROFIL 80GV-GP 90SV-GP	0,000		
/110	1313.333.001		SYNCHROBODY	1			ENTHALT.IN 1296 333 014(1)	0,000		
/140	1296.333.045	5 5301 0	SYNCHRORING	1				0,000		
/150	1240.304.278	3362640239	PRESSURE PART	9				0,000		
/160	0732.040.385	3362640693	COMPRESSION SPRING	9				0,000		
/170	0732.040.386	3362640793	COMPRESSION SPRING	9				0,000		
/190	1316.333.034		SLIDING SLEEVE	1		C01007317F10	ZF-B 165/74 GP	0,000		
/200	1296.333.045	5 5301 0	SYNCHRORING	1				0,000		
130	0630.501.175	0692274	RETAINING RING	1		Z00006943010	125X3,7	0,000		
260	1316.233.029		CLUTCH BODY	1		C01007305F10	KPL. ZF-B 165/74	0,000		

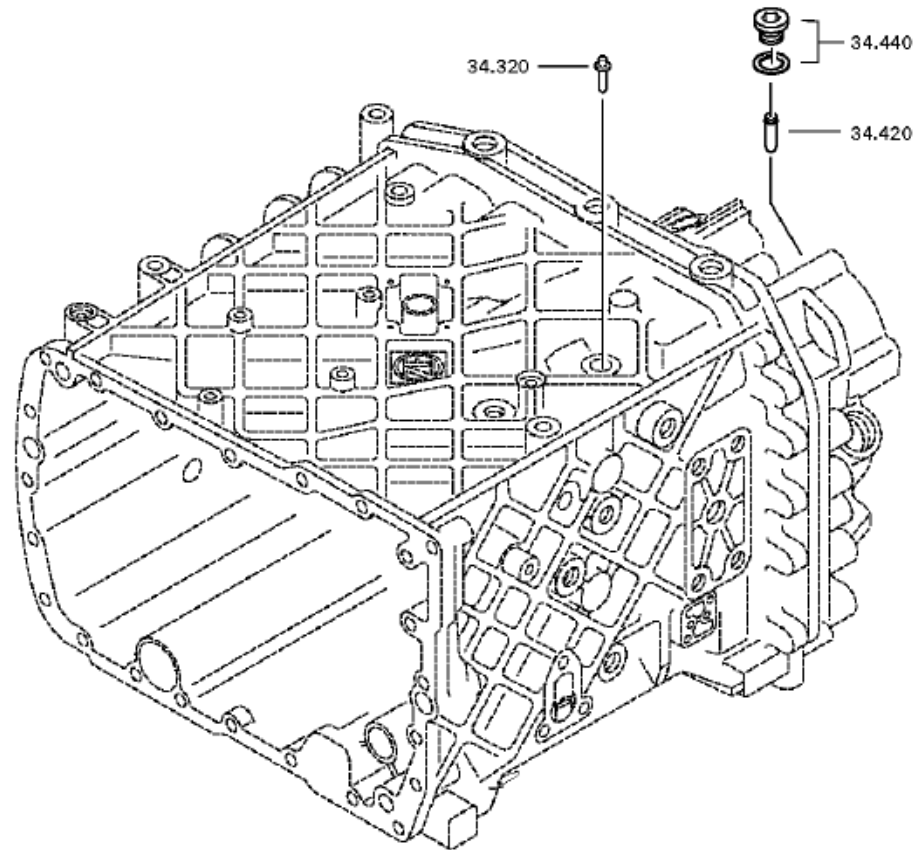


# Plant

Page 2 from 2

**Material number: 1342.001.001**  
**Plate: 068.46.41-1**  
**GP SHIFT SYSTEM**

**16 S 1920 TD /**  
**GP SHIFT SYSTEM**



# Parts list

Page 1 from 1

Material number: 1342.001.001

16 S 1920 TD /

Plate: 068.46.02-1

Material-assembly-group-no: 1316.134.021



Pos.	Material number	Customer material	Name	Quantity	ME	Amend. no.	Techn. Info.	Weight	Rep kit	Alternative material
10	1316.334.016		GEAR SHIFT RAIL	1				0,000		
30	0750.112.253	5 8342 0	FLANGE PACKING	1			25X40X15	0,000		
50	---		PISTON	1			GP	0,000		
---	1315.334.034		PISTON	1			ENTHALT.IN 1315 334 040(2)	0,000		
---	1315.334.063		PISTON	1				0,000		
70	0734.307.294	5 8400 0	SEALING RING	2			49X91X7,4 FA.KACO	0,000		
90	0750.112.066	5 5131 0	GUIDE RING	1				0,000		
110	0737.300.037		LOCKING NUT	1			MS16X1,5	0,000		
130	1315.334.069	5 5836 0	CYLINDER	1				0,000		
150	0501.317.536	5 6096 0	PROFILE SEALING RING	1				0,000		
210	---		HEXAGON SCREW	4		Z00007349210	M10X90	0,000		
---	0636.015.688		HEXAGON SCREW	4		Z00007349212	M10X90	0,000		
---	0630.100.294		WASHER	4		Z00007158111		0,000		
300	1296.334.004	5 5174 0	SLIDING PAD	2				0,000		
320	---		DETENT PLUNGER	1			145N*50N.M	0,000		
---	1324.207.035	H0472239	DETENT PLUNGER	1			KPL. *145 N	0,000		
---	0730.008.604		SEALING RING	1				0,000		
420	1295.212.006		PIN	1			KPL.	0,000		
440	---		SCREW PLUG	1		Z00010111513	35N.M*DICHTRING M18X1,5	0,000		
---	0636.100.791		SCREW PLUG	1		Z00010111521	M18X1,5	0,000		
---	0634.801.062		SEALING RING	1		Z00010111521	18X24	0,001		

# Plant

Page 1 from 1

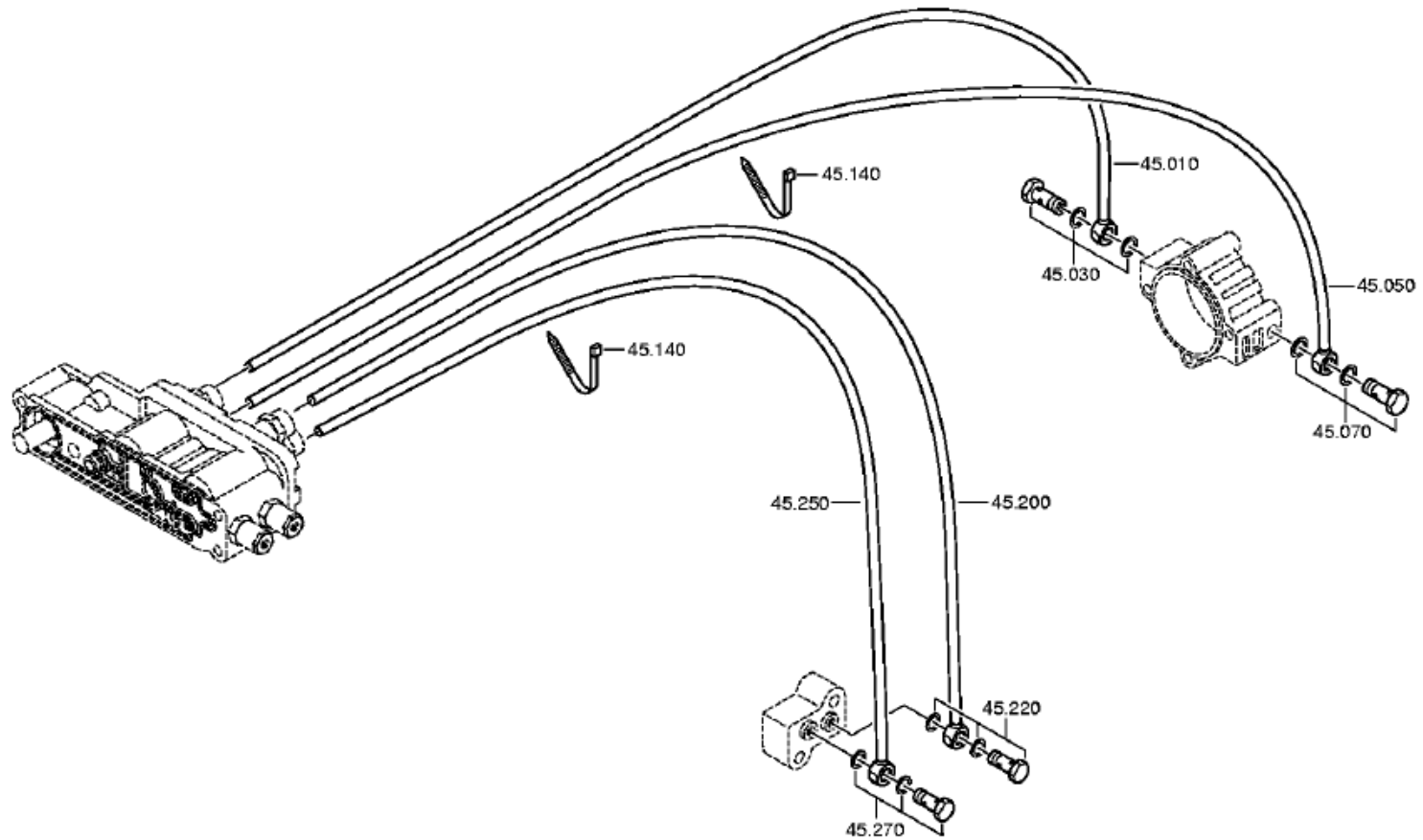
Material number: 1342.001.001

Plate: 068.57.12-1

Material-assembly-group-no: 1316.145.012

16 S 1920 TD /

RANGE SELECTION



# Parts list

Page 1 from 1

Material number: 1342.001.001

16 S 1920 TD /

Plate: 068.57.12-1

Material-assembly-group-no: 1316.145.012



Pos.	Material number	Customer material	Name	Quantity	ME	Amend. no.	Techn. Info.	Weight	Rep kit	Alternative material
10	1316.245.025		TUBE	1			KPL.GP	0,000		
30	---		UNION SCREW	1		Z00010274511	M14X1,5	0,000		
---	0737.300.061		UNION SCREW	1		Z00012473710	M14X1,5	0,000		
---	0634.801.217	99707034424	SEALING RING	1		Z00010274513	14X20	0,000		
50	1316.245.025		TUBE	1			KPL.GP	0,000		
70	---		UNION SCREW	1		Z00010274511	M14X1,5	0,000		
---	0737.300.061		UNION SCREW	1		Z00012473710	M14X1,5	0,000		
---	0634.801.217	99707034424	SEALING RING	1		Z00010274513	14X20	0,000		
140	0659.160.081		CABLE CLIP	2		C01006654E10	4,7X210	0,000		
200	1315.245.052		TUBE	1			KPL.GV-VENTILBL* VORGEFORMT	0,000		
220	---		UNION SCREW	1			6S	0,000		
---	0637.835.809		UNION SCREW	1		Z00011346111		0,000		
---	0730.008.055		SEALING RING	1			10X14	0,000		
250	1315.245.035		TUBE	1			KPL.GV	0,000		
270	---		UNION SCREW	1			6S	0,000		
---	0637.835.809		UNION SCREW	1		Z00011346111		0,000		
---	0730.008.055		SEALING RING	1			10X14	0,000		



# Plant

Page 1 from 1

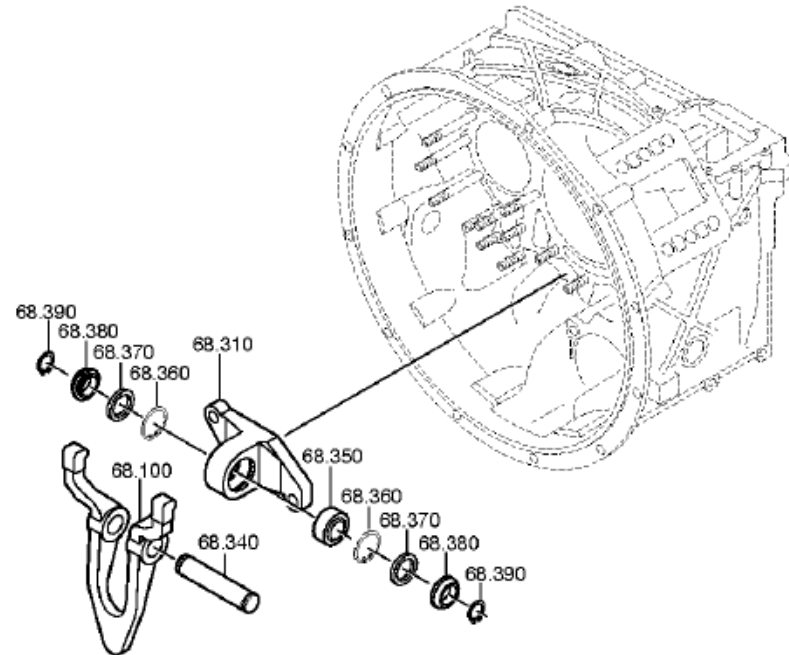
Material number: 1342.001.001

Plate: 068.93.07

Material-assembly-group-no: 1315.168.019

16 S 1920 TD /

CLUTCH RELEASE DEVICE



# Parts list

Page 1 from 1

Material number: 1342.001.001

16 S 1920 TD /

Plate: 068.93.07

Material-assembly-group-no: 1315.168.019



Pos.	Material number	Customer material	Name	Quantity	ME	Amend. no.	Techn. Info.	Weight	Rep kit	Alternative material
100	1315.268.017		RELEASE FORK	1			KPL.AUSR-GELENKLAG* SW=78	0,000		
310	1315.306.080	5 5864 0	BRACKET	1				0,000		
330	0636.100.727		HEXAGON SCREW	2			M12X35	0,000		
340	0731.201.606		PIN	1			ENTHALT.IN 0731 201 607(2)	0,000		
350	0635.285.037	5 8108 0	JOINT BEARING	1				0,000		
360	0630.502.023	933167R1	RETAINING RING	2			42X1,75	0,010		
370	0501.315.198	5 6117 0	SEALING RING	2				0,000		
380	6060.306.087	5 6099 0	SEALING WASHER	2				0,000		
390	0630.501.020		RETAINING RING	2			25X1,2	1,800		