



# Spare Parts Catalog

16 S 151 IT

Material number: 1315.041.719

Current date: 29.10.2013

ZF Friedrichshafen AG  
Hauptverwaltung  
80038 Friedrichshafen  
Deutschland

Telefon: +49 7541 77-0

Telefax: +49 7541 77-908000

[www.zf.com](http://www.zf.com)

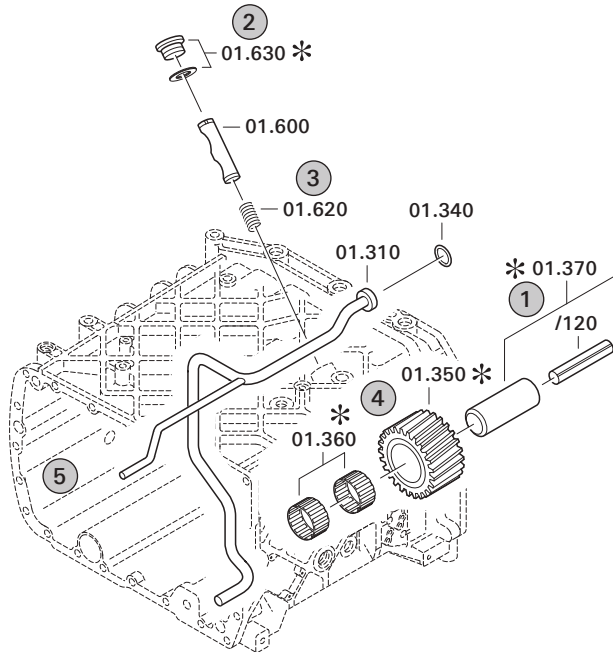
zuständiges Werk:  
Friedrichshafen

# Notes relating to the spare parts catalog

## Setup of the spare parts catalog

- Cover sheet
- Technical Cover (only in SDM print)
- Overview of figures
- Figure
- Associated parts list
- Next figure
- Associated parts list
- ...

## Figure and parts list



## Overview of figures

Bildtafel Figure	Sachnummer Product number	Benennung (Description)	Technische Info Technical info	Description (Benennung)	Menge Quantity	Einheit Unit
068.08.17	1316.170.001	AUSLEGER	WL	SHIFT TURRET	1	Stk
068.08.06	1316.170.031	DECKEL	WL*H-H *VM	COVER	1	Stk
068.08.14	1316.170.808	DECKEL	WL*AUSL+GEH*H-H*HF160N	COVER	1	Stk
08	1316.170.441	ANSCHLUSSTEILE	WL*NG-VORB*RG-SCHL*168N *BAJONETT	CONNECTING PARTS	1	Stk

The "gap" indicates that there is no separate graphics panel (poster) for this assembly  
The parts of this assembly are shown with the same mid-section number on the figure

### 1 Positions and subpositions

Pos.	Sachnummer Product number	Benennung (Description)	Technische Info Technical info	Description (Benennung)	Menge Quantity	Einheit Unit
0370	1315.201.054	RUECKLAUFBOLZEN	KPL.16S151*SG*L= 79	REV.IDLER SHAFT	1	Stk
/0120	0631.329.293	SPANNSTIFT		SLOT. PIN	1	Stk

Positions marked with "/" are the individual items of a completion  
For example: Position 0370 contains a centering pin with the position /0120

### 2 Combinations with standardized parts

Pos.	Sachnummer Product number	Benennung (Description)	Technische Info Technical info	Description (Benennung)	Menge Quantity	Einheit Unit
0630		VERSCHL.SCHR.		SCREW PLUG	1	Stk
	0636.302.067	VERSCHL.SCHR.		SCREW PLUG	1	Stk
	0634.801.249	DICHTRING	A 26 X 31	SEALING RING	1	Stk

The parts list shows the components included in the combination of standardized parts

### 3 Depiction of position/item number on the figure and in the parts list

01.620 - on the figure      01 relates to the assembly in which the position is included. Due to program-related reasons, it is shown on the figure.

0620 - in the parts list

Pos.	Sachnummer Product number	Benennung (Description)	Technische Info Technical info	Description (Benennung)	Menge Quantity	Einheit Unit
0620	0732.040.736	DRUCKFEDER		COMPRESSION SPRING	1	Stk

### 4 \*-Positions

Positions marked with an \* are optional i.e. inclusion in the parts list is not mandatory.  
The following note is shown on the figure

je nach Stücklistenausführung  
depending on spec. number  
\*  
suivant la nomenclature  
secondo la distinta base

### 5 Parts, dotted display

Parts with dotted display on the figure are only used for orientation of other parts



Pos.	Information	Amendment number
001	Use case -----	
002	Customer Renault Vehicules Industriels	
003	City Saint Priest Cedex	
004	DUNS 27-813-6346	
005	Product description -----	
006	CLEANNESS SCALE NUMBER 1 20	
007	CLEANNESS SCALE NUMBER 2 16	
008	CLEANNESS SPECIFICATION ZFN 5015	
009	ATTACHED AGRREGATES 1 IT ECOSPLIT	
010	OUTER DIA. OUTPUT FLANGE RA 180 mm	
011	NO.OF BORES OUTPUT FLANGE HA1 4	
013	BORE DIA. OUTPUT FLANGE RA 15 mm	
017	CORROS.PROTECTION, OUTP.FLANGE COATED	
018	REF. LENGTH OUTPUT FLANGE RA 211.5 mm	
030	ATTACHM.POS.HEAT EXCHANGER BACK UNDERSIDE	
031	1.INST.INSTRUCTION HEAT EXCHANGER WITH	
032	OIL CAPACITY, GEARBOX 19.5 dm3	
034	OIL GRADE PERMISSIBLE ACC. TO TE-ML02	
035	OIL CLASS FIRST FILLING E	
036	CODING OUTER CONSERVATION KA1	
037	SCOPE OUTER CONSERVATION T	
038	CODING INNER CONSERVATION KI1	
039	CONSERVATION SPECIFICATION ZFN 916	
041	COLOR JET BLACK	
042	COLOUR CLASSIFICATION ACC. TO RAL 9005	
043	PAINTING, ZF STANDARD 915 W	
045	Documents -----	
046	CONSERVATION Drawing 1315.192.100	
047	16-GANG-GETR. Drawing 1315.600.183	
048	Alias ID -----	
049	Renault Vehicules Industriels 5010452084	

# Assembly group overview

Material number: 1315.041.719

16 S 151 IT /

Page 1 from 1



Graphics	Pos.	Material number	Name	Quantity	Amend. no.	Techn. Info.
068.A1.01-1	910	1315.051.759	16 S 151	1		
	922	6085.005.044	IT ECOSPLIT	1		
078.01.10-1	110	6085.101.040	HOUSING	1		
078.02.03-1	120	6085.102.020	CONTROL UNIT	1		
078.02.83-1	130	6085.102.813	ANCHORAGE	1		
078.02.79-1	140	6085.102.800	CLOSING COMPONENTS	1		
078.03.01-1	150	6085.103.001	PUMP	1		
078.03.80-1	160	6085.103.800	PUMP	1		
	924	6085.177.258	ACCESSORIES	1		
078.01.85-1	114	6085.101.800	HOUSING	1		
078.02.85-1	124	6085.102.818	CONTROL UNIT	1		
078.05.13-1	170	6085.105.095	HEAT EXCHANGER	1		
078.05.83-1	180	6085.105.806	HEAT EXCHANGER	1		
078.08.06-1	220	6085.108.020	OUTPUT	1		

# Plant

Page 1 from 1

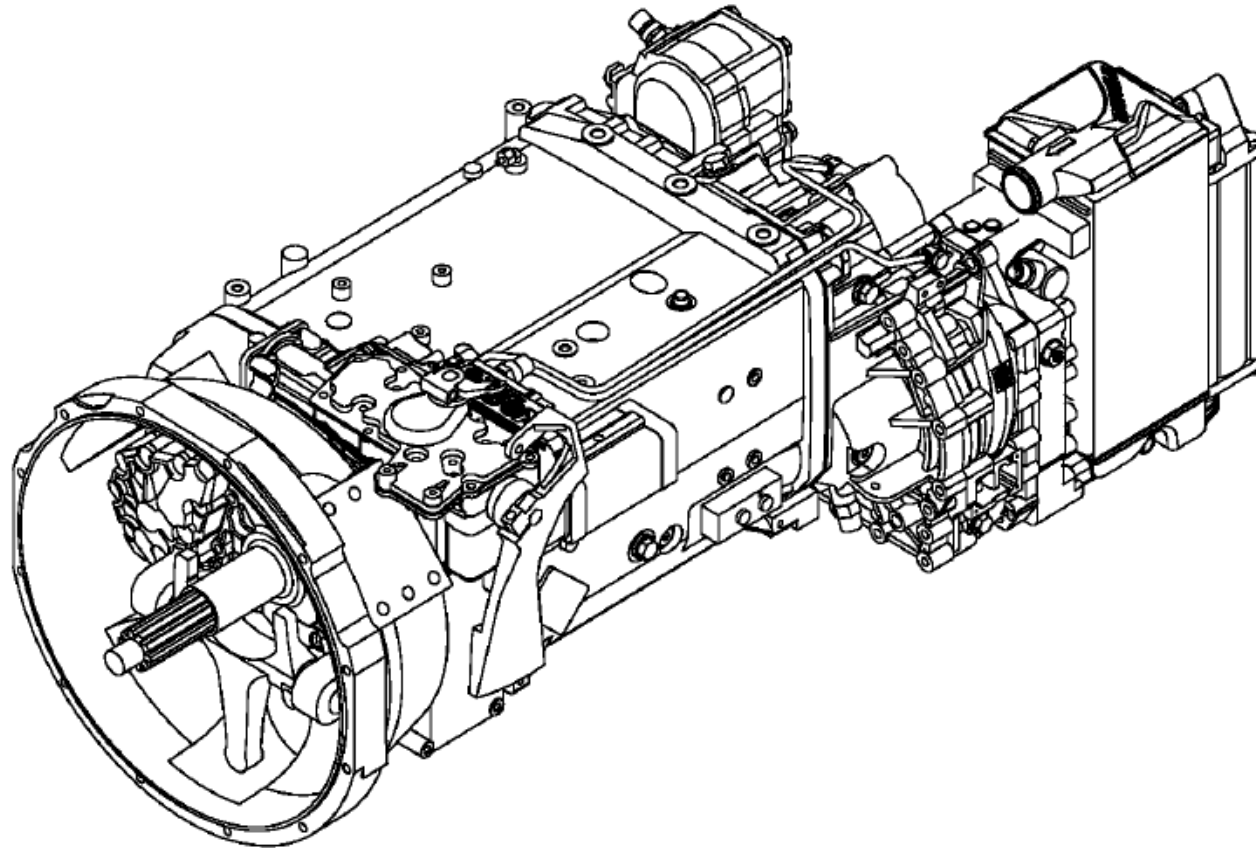
**Material number: 1315.041.719**

**Plate: 068.A1.01-1**

**Material-assembly-group-no: 1315.051.759**

**16 S 151 IT /**

**16 S 151**



# Parts list

Page 1 from 1

Material number: 1315.041.719      16 S 151 IT /  
Material-assembly-group-no: 6085.005.044



Pos.	Material number	Customer material	Name	Quantity	ME	Amend. no.	Techn. Info.	Weight	Rep kit	Alternative material
110	6085.101.040		HOUSING	1			IT151/221*RVI *REDUZ. EINR*KOKILLE	0,000		
120	6085.102.020		CONTROL UNIT	1		Z00004287212	WT-ANGEFL*DINBAJ * O.P-STRICH*PLATTE* SCHUTZKAPPE	0,000		
130	6085.102.813		ANCHORAGE	1			RVI*O.PLATTE	0,000		
140	6085.102.800		CLOSING COMPONENTS	1			STEUERUNG	0,000		
150	6085.103.001		PUMP	1			STANDARD	0,000		
160	6085.103.800		PUMP	1			6KT.SCHRAUBE M8X80	0,000		

# Plant

Page 1 from 1

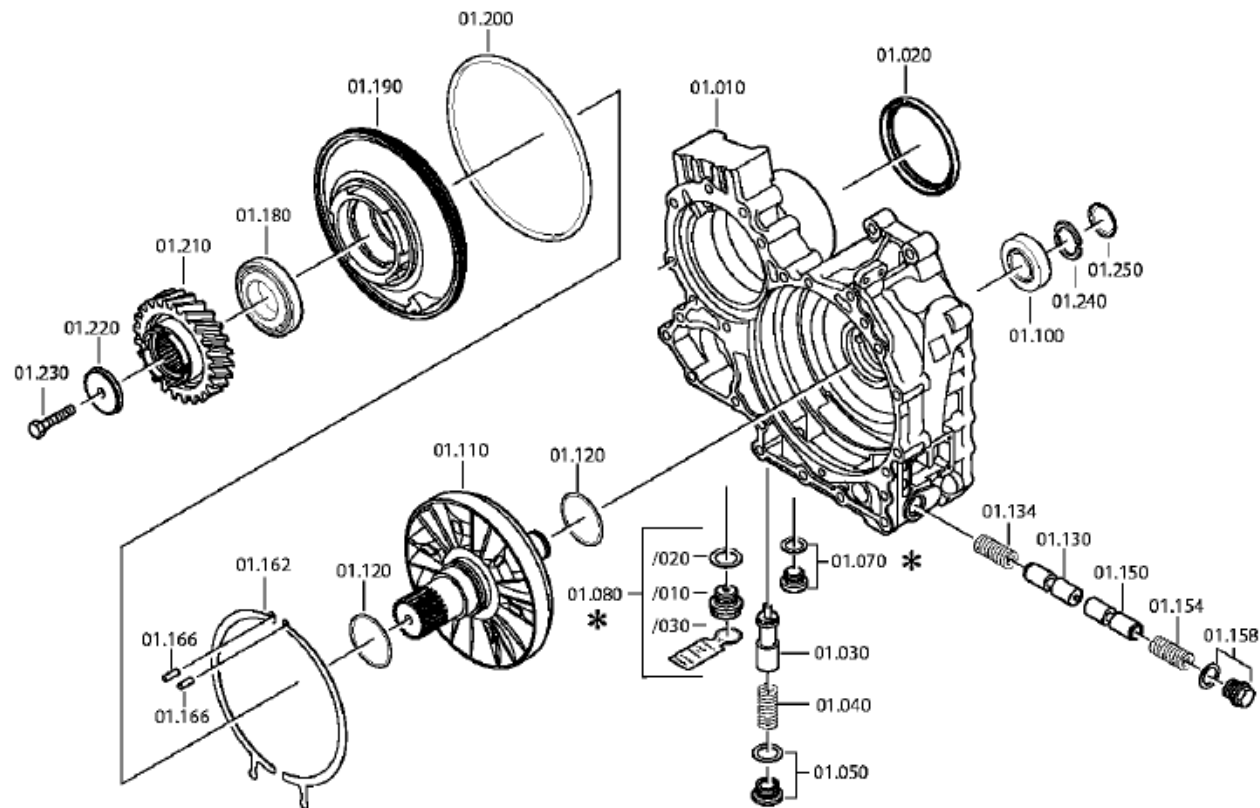
Material number: 1315.041.719

Plate: 078.01.10-1

Material-assembly-group-no: 6085.101.040

16 S 151 IT /

HOUSING



# Parts list

Page 1 from 2

Material number: 1315.041.719

16 S 151 IT /

Plate: 078.01.10-1

Material-assembly-group-no: 6085.101.040



Pos.	Material number	Customer material	Name	Quantity	ME	Amend. no.	Techn. Info.	Weight	Rep kit	Alternative material
10	6085.301.207		HOUSING	1		C01007660E10	IT ECO O.SCH.O.LP	0,000		
12	0637.510.020		PLUG	1				0,000		
14	0637.510.020		PLUG	1				0,000		
20	0734.319.459	5330123552795	SHAFT SEAL	1			105X125X12/9,5	0,000		
30	6085.301.215		PISTON	1			VORSP. 1,5 BAR	0,000		
40	0732.042.403		COMPRESSION SPRING	1				0,000		
50	---		SCREW PLUG	1			60N.M*DICHTRING* LOCTITE M26X1,5	0,000		
---	0736.300.151		SCREW PLUG	1		Z00010174110	M26X1,5	0,000		
---	0634.801.256		SEALING RING	1			26X31	0,000		
80	---		SCREW PLUG	1		Z00010176111	M24X1,5	0,000		
---	0736.300.160	4471982.1	SCREW PLUG	1		Z00010176110	M24X1,5 M24X1,5	0,000		
---	0730.008.637		SEALING RING	1		Z00010176110	24X29	0,000		
100	0750.117.353	5 8275 0	TAPERED ROLLER BEARING	1			33,3X68,2X22,2	384		
110	6085.301.053		ROTOR	1				0,000		
120	0734.401.251	5 8715 0	PISTON RING	2			65,1X70,0X3,5	0,000		
130	6085.301.156		PISTON	1		C01007405B10		0,000		
134	0732.042.765		COMPRESSION SPRING	1				0,000		
150	6085.301.156		PISTON	1		C01007405B10		0,000		
154	0732.042.765		COMPRESSION SPRING	1				0,000		
158	---		SCREW PLUG	1		C01001320B10	50N.M*DICHTRING* LOCTITE M22X1,5	0,000		
---	0736.300.154		SCREW PLUG	1		Z00010175012	M22X1,5 ERZ. M22X1,5	0,000		
---	0730.009.515		SEALING RING	1			A22X27	0,000		
162	6085.301.155		OIL DAM	2		C01007405B10		0,000		
166	0631.306.226		CYLINDRICAL PIN	2		C01004975B10	6X32	0,000		
180	0750.120.067	5 8276 0	TAPERED ROLLER BEARING	1		Z00004111510	50,800X95,250X27,783	0,000		
190	6085.301.206		STATOR	1		C01007898E10		0,000		
200	0634.314.438		O-RING	1		C01004202F10	240X3	0,000		
210	6085.301.012		SPUR GEAR	1			Z29 IN 6085 301 011(1)	0,000		
220	6085.301.220	1482055	WASHER	1		Z00004072410		0,000		
230	0636.011.434	1000000346	HEXAGON SCREW	1			M12X80	0,080		
240	---		SPLIT RING	1			H= 2,90- 3,70( ABSTUFUNG:0,05MM)	0,000		



# Parts list

Page 2 from 2

Material number: 1315.041.719

16 S 151 IT /

Plate: 078.01.10-1

Material-assembly-group-no: 6085.101.040



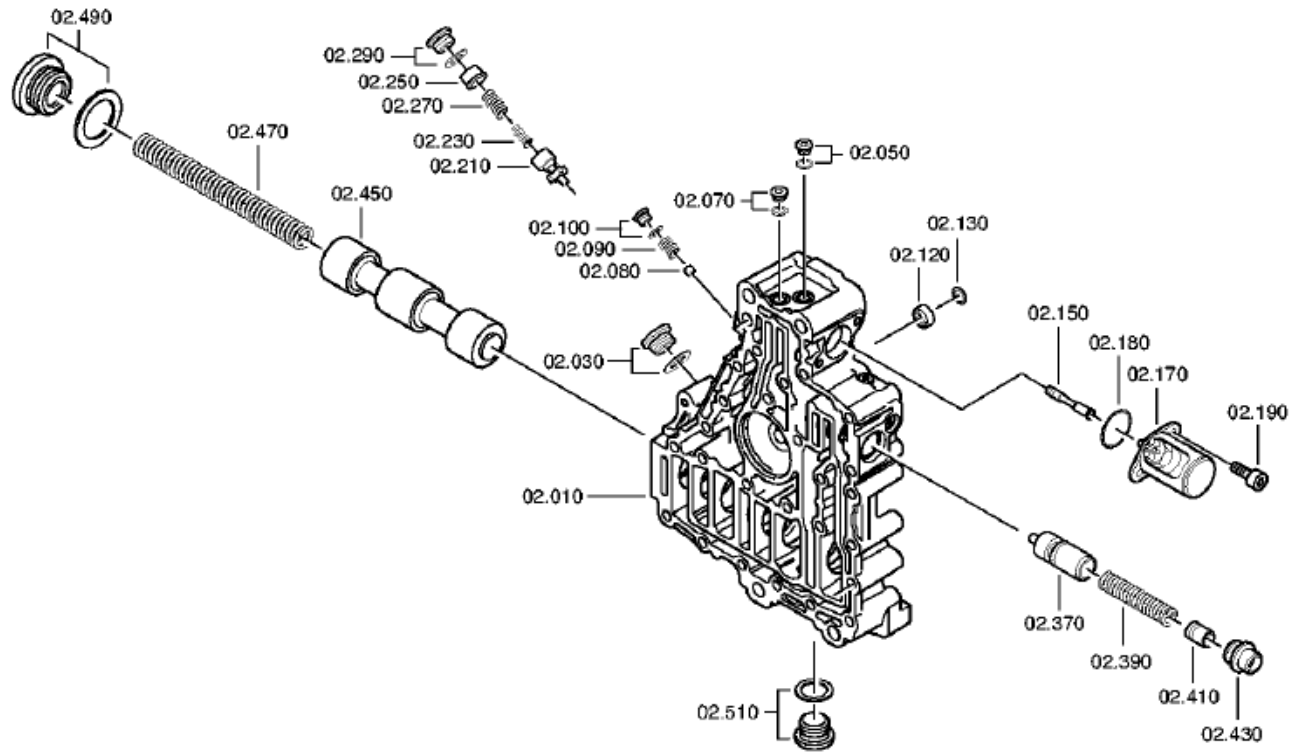
Pos.	Material number	Customer material	Name	Quantity	ME	Amend. no.	Techn. Info.	Weight	Rep kit	Alternative material
---	6085.201.054		SPLIT RING	1			KPL.A=3,70	0,000		
---	6085.201.053		SPLIT RING	1			KPL.A=3,65	0,000		
---	6085.201.052		SPLIT RING	1			KPL.A=3,60	0,000		
---	6085.201.051		SPLIT RING	1			KPL.A=3,55	0,000		
---	6085.201.050		SPLIT RING	1			KPL.A=3,50	0,000		
---	6085.201.049		SPLIT RING	1			KPL.A=3,45	0,000		
---	6085.201.048		SPLIT RING	1			KPL.A=3,40	0,000		
---	6085.201.047		SPLIT RING	1			KPL.A=3,35	0,000		
---	6085.201.046		SPLIT RING	1			KPL.A=3,30	0,000		
---	6085.201.045		SPLIT RING	1			KPL.A=3,25	0,000		
---	6085.201.044		SPLIT RING	1			KPL.A=3,20	0,000		
---	6085.201.043		SPLIT RING	1			KPL.A=3,15	0,000		
---	6085.201.042		SPLIT RING	1			KPL.A=3,10	0,000		
---	6085.201.041		SPLIT RING	1			KPL.A=3,05	0,000		
---	6085.201.040		SPLIT RING	1			KPL.A=3,00	0,000		
---	6085.201.039		SPLIT RING	1			KPL.A=2,95	0,000		
---	6085.201.038		SPLIT RING	1			KPL.A=2,90	0,000		
250	0730.063.154		RETAINING RING	1		C01004428B10	A=3,40 IN 0730 062 636(2)	0,000		
620	0730.365.241		TYPE PLATE	1			EINHEITSSCH. VERDREHSICHER	0,000		
630	0731.300.027		BLIND RIVET	4				0,000		

# Plant

Page 1 from 3

Material number: 1315.041.719  
Plate: 078.02.03-1  
CONTROL UNIT

16 S 151 IT /  
CONTROL UNIT

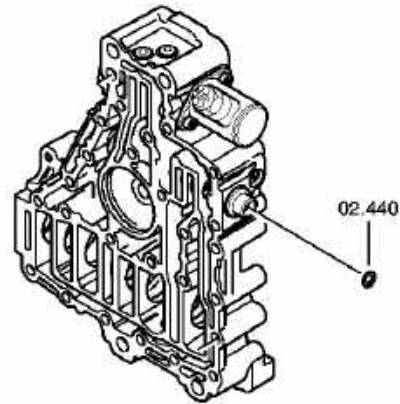


# Plant

Page 2 from 3

**Material number: 1315.041.719**  
**Plate: 078.02.79-1**  
**CONTROL UNIT**

**16 S 151 IT /**  
**CONTROL UNIT**

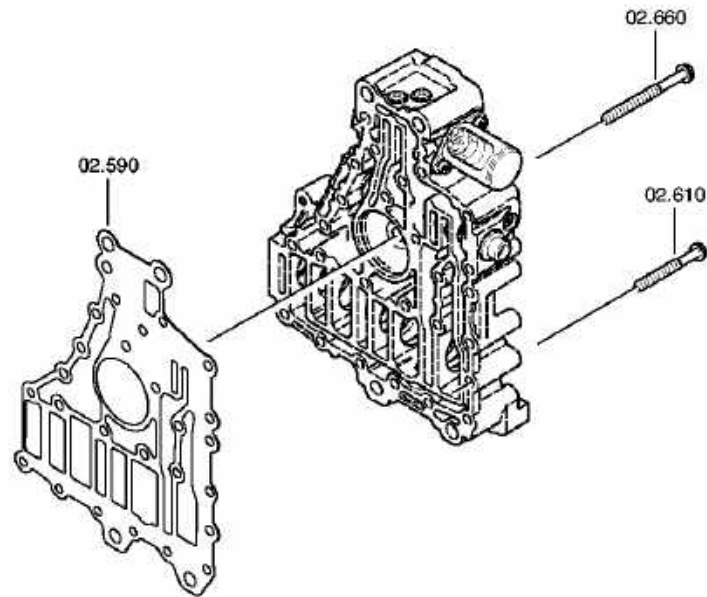


# Plant

Page 3 from 3

Material number: 1315.041.719  
Plate: 078.02.83-1  
CONTROL UNIT

16 S 151 IT /  
CONTROL UNIT



# Parts list

Page 1 from 2

Material number: 1315.041.719

16 S 151 IT /

Plate: 078.02.03-1

Material-assembly-group-no: 6085.102.020



Pos.	Material number	Customer material	Name	Quantity	ME	Amend. no.	Techn. Info.	Weight	Rep kit	Alternative material
10	6085.202.010		CONTROL HOUSING	1		Z00004287210	KPL.IT*WT-ANGEFL	0,000		
30	---		SCREW PLUG	1		Z00004287210	60N.M*DICHTRING* LOCTITE M26X1,5	0,000		
---	0736.300.152		SCREW PLUG	1		Z00010174310	M26X1,5	0,000		
---	0634.801.256		SEALING RING	1			26X31	0,000		
50	---		SCREW PLUG	1		Z00004287210	23N.M*DICHTRING* LOCTITE M12X1,5	0,000		
---	0636.100.792		SCREW PLUG	1		Z00010162912	M12X1,5	0,000		
---	0634.801.028		SEALING RING	1		C01002993C10	12X16	0,000		
70	---		SCREW PLUG	1		Z00004287210	23N.M*DICHTRING* LOCTITE M12X1,5	0,000		
---	0636.100.792		SCREW PLUG	1		Z00010162912	M12X1,5	0,000		
---	0634.801.028		SEALING RING	1		C01002993C10	12X16	0,000		
80	0635.460.021	1000000324	BALL	1		Z00004287210	10	0,010		
90	0732.041.247		COMPRESSION SPRING	1		Z00004287210		0,000		
100	---		SCREW PLUG	1		Z00004287210	23N.M*DICHTRING* LOCTITE M12X1,5	0,000		
---	0636.100.792		SCREW PLUG	1		Z00010162912	M12X1,5	0,000		
---	0634.801.028		SEALING RING	1		C01002993C10	12X16	0,000		
120	0635.303.038	8 8981 0	NEEDLE SLEEVE	1		Z00004287210	12X18X12	0,000		
130	0630.532.140		V-RING	1		Z00004287210		1		
150	6085.302.040		PISTON	1			VORSTEUERKOLBEN	0,000		
170	0501.328.508		MAGNET	1		Z00014063210	BAJONETT	0,000		
180	0634.313.017		O-RING	1		Z00004287210	27X3	0,002		
190	0636.115.300		CAP SCREW	2		Z00007064111	M8X22	0,000		
210	6085.302.044		PISTON	1		Z00015188010	DR.BEGR. AUSSEN 12 BAR	0,000		
230	0732.042.470		COMPRESSION SPRING	1		Z00004287210		0,000		
250	6085.302.043		PISTON	1		Z00015188010	DR.BEGR. INNEN 12 BAR	0,000		
270	0732.042.471		COMPRESSION SPRING	1		Z00004287210		0,000		
290	---		SCREW PLUG	1		Z00004287210	60N.M*DICHTRING* LOCTITE M26X1,5	0,000		
---	0736.300.152		SCREW PLUG	1		Z00010174310	M26X1,5	0,000		
---	0634.801.256		SEALING RING	1			26X31	0,000		

# Parts list

Page 2 from 2

Material number: 1315.041.719

16 S 151 IT /

Plate: 078.02.03-1

Material-assembly-group-no: 6085.102.020



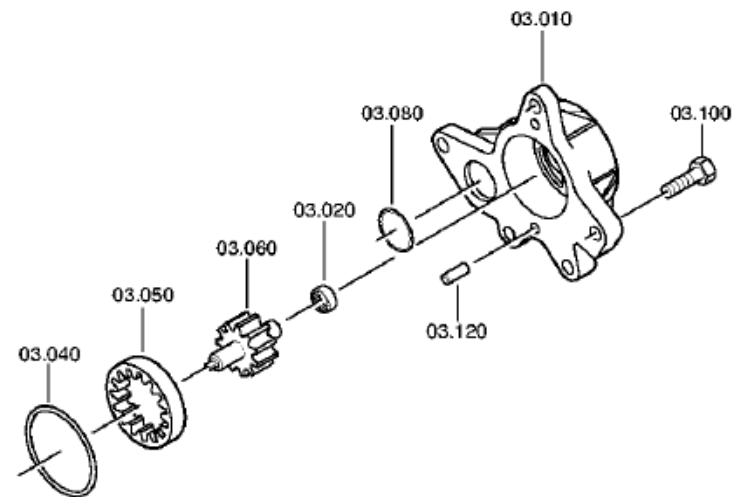
Pos.	Material number	Customer material	Name	Quantity	ME	Amend. no.	Techn. Info.	Weight	Rep kit	Alternative material
370	6085.302.041		PISTON	1			REGELKOLBEN	0,000		
390	0732.042.741		COMPRESSION SPRING	1		Z00004287210		0,000		
410	6085.302.042		PISTON	1			REGEL INNEN	0,000		
430	6085.202.015		ADJUSTING SCREW	1			KPL.	0,000		
440	0730.301.060		SEALING CAP	1		Z00008918511		0,000		
450	6085.302.048		PISTON	1			UMSCHALTKOLBEN	0,000		
470	0732.042.402		COMPRESSION SPRING	1		Z00004287210		0,000		
490	---		SCREW PLUG	1		Z00004287210	150N.M*DICHTRING* LOCTITE M48X1,5	0,000		
---	0736.300.223		SCREW PLUG	1			M48X1,5 M48X1,5	0,000		
---	0634.801.329		SEALING RING	1			48X55	0,000		
510	---		SCREW PLUG	1		Z00004287210	60N.M*DICHTRING* LOCTITE M24X1,5	0,000		
---	0636.302.612		SCREW PLUG	1		Z00010164210	M24X1,5	0,000		
---	0730.008.637		SEALING RING	1			24X29	0,000		
590	0501.314.434	5 6094 0	GASKET	1				0,000		
610	0736.300.137	1197869	HEXAGON SCREW	13			M8X80 M8X80	0,000		
660	0736.300.137	1197869	HEXAGON SCREW	7			M8X80 M8X80	0,000		

# Plant

Page 1 from 2

Material number: 1315.041.719  
Plate: 078.03.01-1  
PUMP

16 S 151 IT /  
PUMP

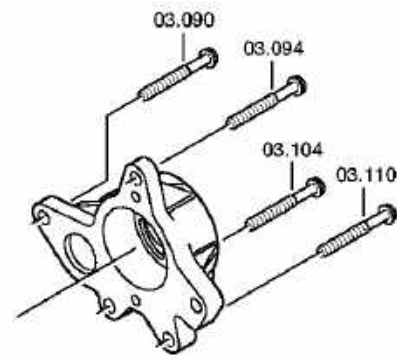


# Plant

Page 2 from 2

**Material number: 1315.041.719**  
**Plate: 078.03.80-1**  
**PUMP**

**16 S 151 IT /**  
**PUMP**





# Parts list

Page 1 from 1

Material number: 1315.041.719

16 S 151 IT /

Plate: 078.03.01-1

Material-assembly-group-no: 6085.103.001



Pos.	Material number	Customer material	Name	Quantity	ME	Amend. no.	Techn. Info.	Weight	Rep kit	Alternative material
10	6085.303.011		PUMP HOUSING	1				0,000		
20	0635.303.038	8 8981 0	NEEDLE SLEEVE	1			12X18X12	0,000		
40	0634.313.568	T158745	O-RING	1			63X3	0,003		
50	6085.303.008		RING GEAR	1				0,000		
60	6085.203.001		SHAFT	1			KPL.	0,000		
80	0634.313.056	00579163	O-RING	1			37X3	0,002		
90	0736.300.137	1197869	HEXAGON SCREW	1		Z00009195410	M8X80 M8X80	0,000		
94	0736.300.137	1197869	HEXAGON SCREW	1		Z00009195410	M8X80 M8X80	0,000		
100	0636.100.797		HEXAGON SCREW	1		Z00007891312	M8X30	0,000		
104	0736.300.137	1197869	HEXAGON SCREW	1		Z00009195410	M8X80 M8X80	0,000		
110	0736.300.137	1197869	HEXAGON SCREW	1		Z00009195410	M8X80 M8X80	0,000		
120	0631.306.717		CYLINDRICAL PIN	2		C01004414B10	8X14	0,000		

# Parts list

Page 1 from 1

Material number: 1315.041.719      16 S 151 IT /  
Material-assembly-group-no: 6085.177.258



Pos.	Material number	Customer material	Name	Quantity	ME	Amend. no.	Techn. Info.	Weight	Rep kit	Alternative material
114	6085.101.800		HOUSING	1		Z00004503710	IT151/221	0,000		
124	6085.102.818		CONTROL UNIT	1		Z00004503710	WT-ANGEFL-U E- ST*M10X215 *IT151/221* IT109*IT180	0,000		
170	6085.105.095		HEAT EXCHANGER	1		Z00004287213	UNTEN*EDELSTAHL* LKW*BAJ*SCHUKA* 125*MIT*55*WA-SEITL* WAAGERECH	0,000		
180	6085.105.806		HEAT EXCHANGER	1		Z00004503710	IT151/221*IT109*IT2200 *WT-ANGEFL-U	0,000		
220	6085.108.020		OUTPUT	1		Z00004503710	IT ECOSPLIT*RV1 MAGNUM+PRE*180*LZ= 4*D=15,0*L=211,5	0,000		

# Plant

Page 1 from 1

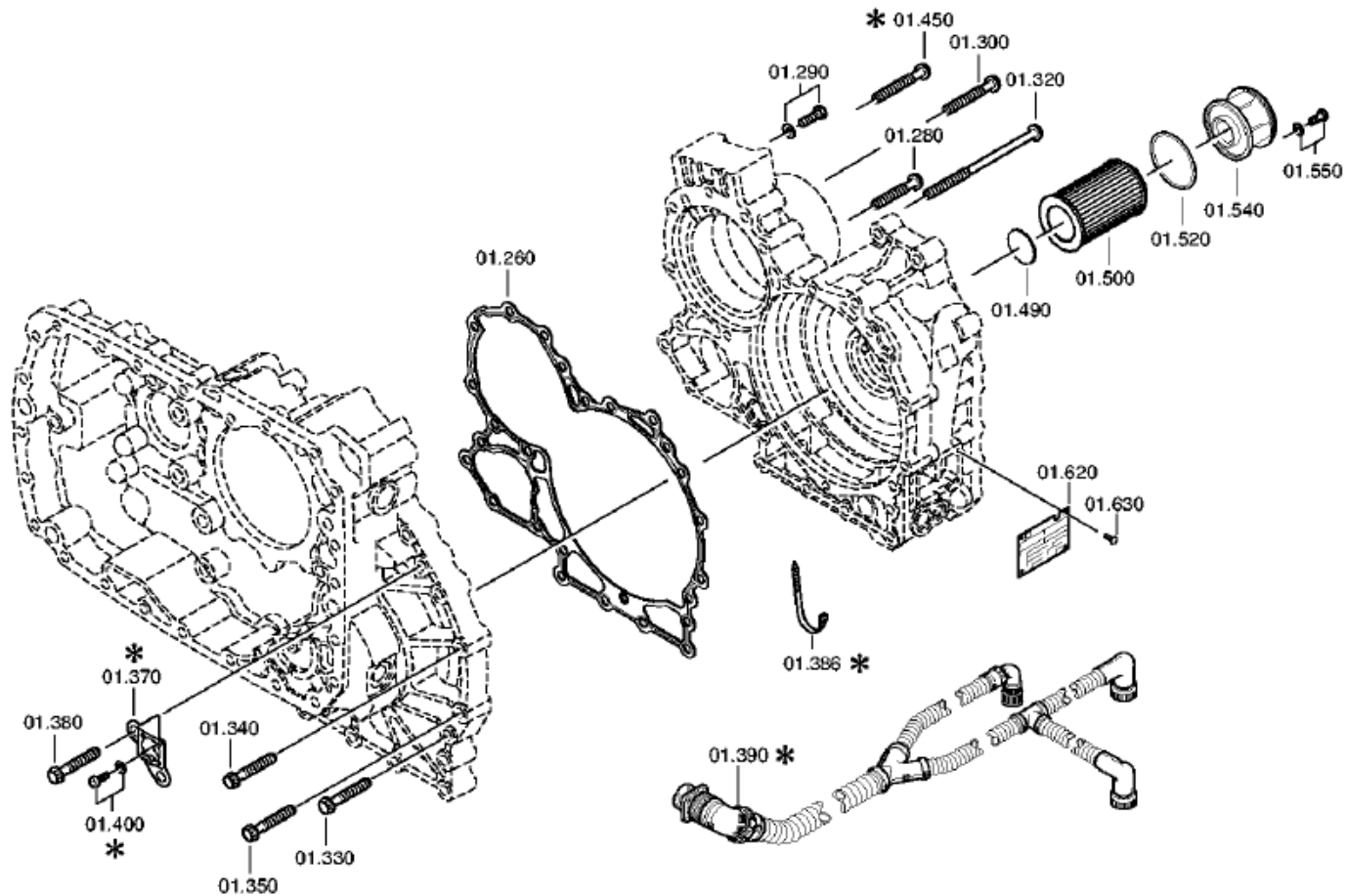
Material number: 1315.041.719

Plate: 078.01.85-1

Material-assembly-group-no: 6085.101.800

16 S 151 IT /

HOUSING



# Parts list

Page 1 from 1

Material number: 1315.041.719

16 S 151 IT /

Plate: 078.01.85-1

Material-assembly-group-no: 6085.101.800



Pos.	Material number	Customer material	Name	Quantity	ME	Amend. no.	Techn. Info.	Weight	Rep kit	Alternative material
260	0501.315.048	H0196577	GASKET	1				0,000		
280	0636.016.405		HEXAGON SCREW	3		Z00007060115	M10X60	0,000		
290	0636.102.292		HEXAGON SCREW	2		Z00007349610	M10X35	0,000		
300	0736.300.126		HEXAGON SCREW	3		Z00009403510	M10X75	0,000		
320	0736.300.129		HEXAGON SCREW	1		Z00009403810	M10X180 M10X180	0,000		
330	0636.016.405		HEXAGON SCREW	1		Z00007060115	M10X60	0,000		
340	0636.016.405		HEXAGON SCREW	10		Z00007060115	M10X60	0,000		
350	0636.016.405		HEXAGON SCREW	1		Z00007060115	M10X60	0,000		
380	0636.016.405		HEXAGON SCREW	2		Z00007060115	M10X60	0,000		
450	0736.300.126		HEXAGON SCREW	1		Z00009403510	M10X75	0,000		
490	4139.306.673		MAGNET	1		Z00016339810		0,000		
500	0501.210.798		SCREEN INSERT	1		Z00007671110	KPL.	0,000		
520	0634.313.067		O-RING	1			70X3	0,003		
540	---		COVER	1			IT FILTER*GDLS/GSLS	0,000		
---	6085.301.020		COVER	1				0,000		
---	1315.378.074		COVER	1				0,000		
550	0636.024.527		HEXAGON SCREW	1		Z00007288310	M8X20	0,000		

# Plant

Page 1 from 1

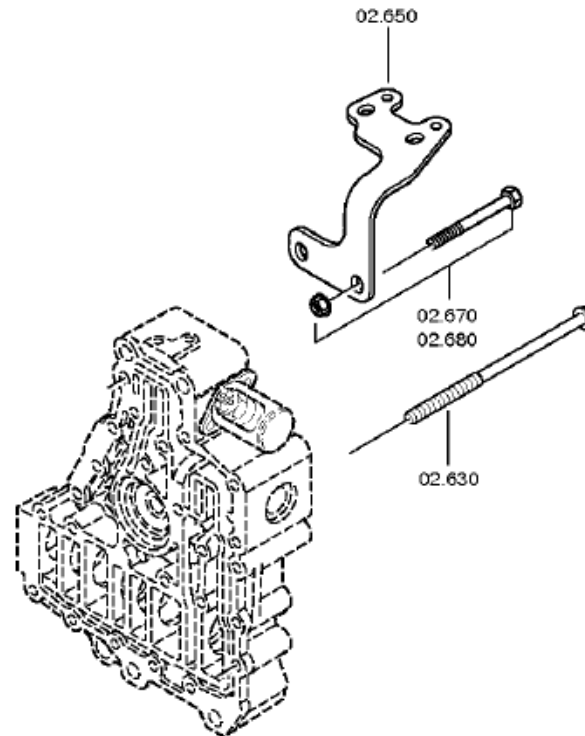
Material number: 1315.041.719

Plate: 078.02.85-1

Material-assembly-group-no: 6085.102.818

16 S 151 IT /

CONTROL UNIT



# Parts list

Page 1 from 1

Material number: 1315.041.719

16 S 151 IT /

Plate: 078.02.85-1

Material-assembly-group-no: 6085.102.818



Pos.	Material number	Customer material	Name	Quantity	ME	Amend. no.	Techn. Info.	Weight	Rep kit	Alternative material
630	0736.300.128		HEXAGON SCREW	1		Z00009403710	M10X215 M10X215	0,000		
650	6085.302.046		FIXING PLATE	1			WAAGERECHT	0,000		
670	---		BOLT+NUT	1			M12X130	0,000		
---	0636.100.395		HEXAGON SCREW	1		Z00007063810	M12X130	0,000		
---	0637.025.112		HEXAGON NUT	1		Z00007283611	M12	0,000		
680	---		BOLT+NUT	1			M12X130	0,000		
---	0636.100.395		HEXAGON SCREW	1		Z00007063810	M12X130	0,000		
---	0637.025.112		HEXAGON NUT	1		Z00007283611	M12	0,000		

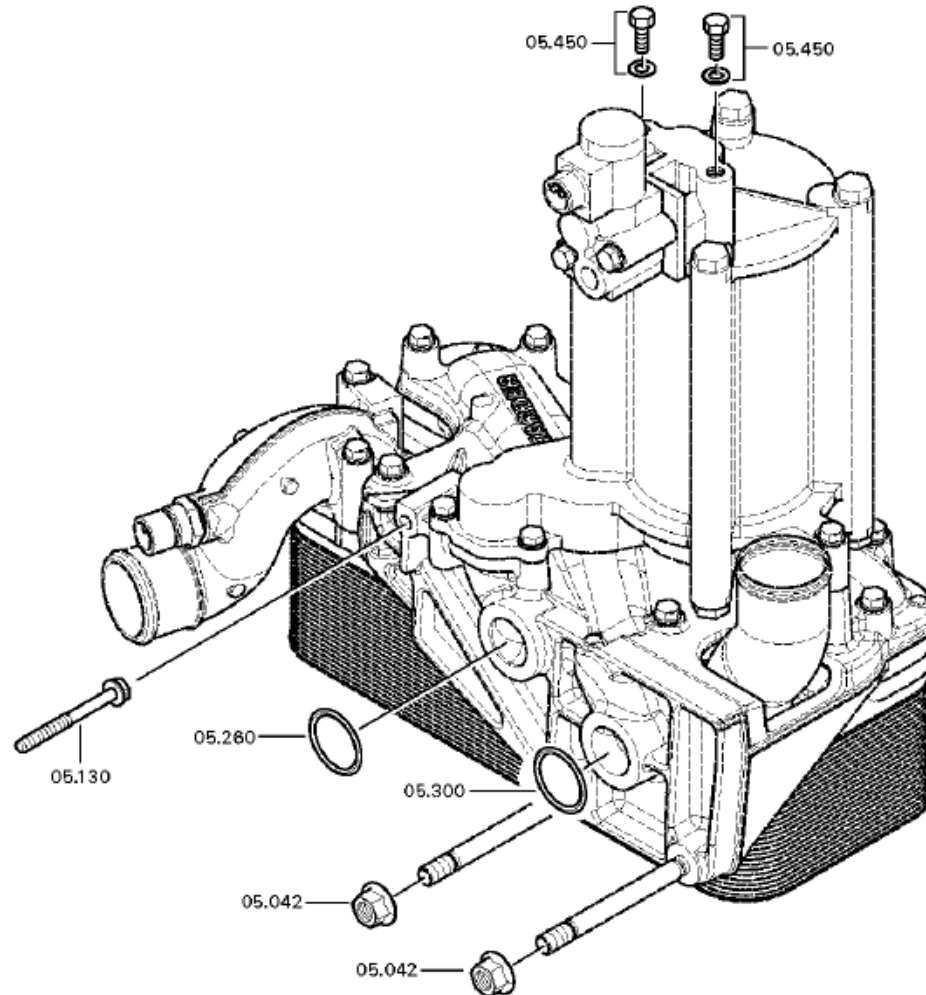


# Plant

Page 2 from 2

Material number: 1315.041.719  
Plate: 078.05.83-1  
HEAT EXCHANGER

16 S 151 IT /  
HEAT EXCHANGER





# Parts list

Page 1 from 2

Material number: 1315.041.719

16 S 151 IT /

Plate: 078.05.13-1

Material-assembly-group-no: 6085.105.095



Pos.	Material number	Customer material	Name	Quantity	ME	Amend. no.	Techn. Info.	Weight	Rep kit	Alternative material
10	0501.216.429	1844561	HEAT EXCHANGER	1		Z00004287210	WAAGERECHT	0,000		
20	0634.100.059	7421941911	O-RING	1		Z00004287210	58X4	0,000		
22	6085.205.016		CONNECTING HOUSING	1		Z00004287210	KPL. WAAGERECHT	0,000		
30	---		TEMPERATURE SENSOR	1		Z00004287210	BAJONETT*SCHUTZKAPPE	0,000		
---	0501.322.529		TEMPERATURE SENSOR	1		Z00004287210	BAJONETT	0,000		
---	0634.801.056	S300496	SEALING RING	1		Z00004287210	18X22	1		
---	0700.300.427		PROTECTION CAP	1		Z00004287210		0,005		
36	0634.313.622	7421942226	O-RING	2		Z00004287210	50X4	0,000		
38	6085.305.123		INTERMHOUSING	1		Z00004287210	WAAGERECHT	0,000		
39	0736.300.135	81.90001-0428	HEXAGON SCREW	8		Z00009195110	M8X60	0,000		
40	0636.604.572		STUD	2		Z00007281314	M12X120	0,000		
42	---		HEXAGON NUT	2			M12	0,000		
---	0637.025.112		HEXAGON NUT	2		Z00007283610	M12	0,000		
60	0501.211.616		ACCUMULATOR	1		Z00004287210		0,000		
/10	0501.210.672		PISTON	1			KPL	0,000		
/20	0501.316.347		TUBE	1			ENTHALT.IN 0501 211 616(1)	0,000		
/30	0501.317.738		VALVE CARRIER	1				0,000		
/40	0634.313.379		O-RING	1			124X3	0,000		
/50	---		HEXAGON SCREW	4			M12X45	0,000		
---	0636.100.426	REPLACEMENT FOR 0636.016.173	HEXAGON SCREW	4		Z00007060512	M12X45	0,000		
---	0630.100.284		WASHER	4		Z00007158210		0,000		
/60	0501.320.118		COVER	1		C01009549B10		0,000		
/70	0634.313.379		O-RING	1			124X3	0,000		
/80	---		HEXAGON SCREW	4			M12X70	0,000		
---	0636.100.381		HEXAGON SCREW	4		Z00007056311	M12X70	0,000		
---	0630.100.284		WASHER	4		Z00007158210		0,000		
70	0634.316.059	8900108145	O-RING	2		Z00004287210	38X3	2		
80	0736.300.135	81.90001-0428	HEXAGON SCREW	3		Z00009195110	M8X60	0,000		
90	---		HEXAGON SCREW	2		Z00007891312	M8X30	0,000		
---	0636.100.797		HEXAGON SCREW	2		Z00007891310	M8X30	0,000		
---	0630.100.295		WASHER	2		Z00007158414		0,000		
100	0501.321.459		VALVE	1		Z00004287210	BAJONETT	0,000		

# Parts list

Page 2 from 2

Material number: 1315.041.719

16 S 151 IT /

Plate: 078.05.13-1

Material-assembly-group-no: 6085.105.095



Pos.	Material number	Customer material	Name	Quantity	ME	Amend. no.	Techn. Info.	Weight	Rep kit	Alternative material
/110	0634.316.159		O-RING	1			7X2	0,000		
110	0736.300.135	81.90001-0428	HEXAGON SCREW	2		Z00009195110	M8X60	0,000		
130	0736.300.137	1197869	HEXAGON SCREW	1		Z00009195410	M8X80 M8X80	0,000		
260	0634.313.056	00579163	O-RING	1			37X3	0,002		
300	0634.313.056	00579163	O-RING	1			37X3	0,002		
450	---		HEXAGON SCREW	2		Z00007056513	M10X35	0,000		
---	0636.015.682		HEXAGON SCREW	2		Z00007056519	M10X35	0,000		
---	0630.100.294		WASHER	2		Z00007158112		0,000		

# Plant

Page 1 from 1

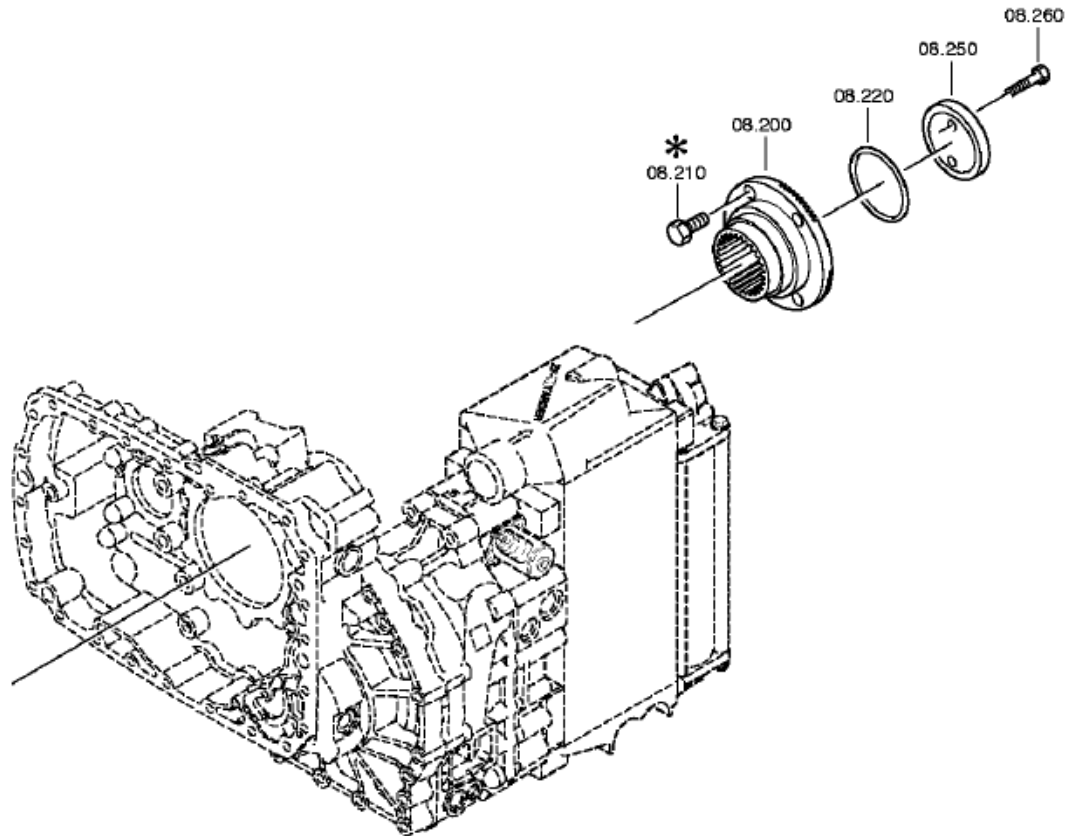
Material number: 1315.041.719

Plate: 078.08.06-1

Material-assembly-group-no: 6085.108.020

16 S 151 IT /

OUTPUT



# Parts list

Page 1 from 1

Material number: 1315.041.719

16 S 151 IT /

Plate: 078.08.06-1

Material-assembly-group-no: 6085.108.020



Pos.	Material number	Customer material	Name	Quantity	ME	Amend. no.	Techn. Info.	Weight	Rep kit	Alternative material
200	1316.332.144		OUTPUT FLANGE	1			ECO3*INTARDER*ZINI-BESCHICHTUNG	0,000		
220	0634.313.805		O-RING	1			82X4	0,000		
250	1312.332.028		WASHER	1				0,000		
260	0636.011.777		HEXAGON SCREW	2		Z00007292012	M12X60	0,000		



Pos.	Information	Amendment number
001	Use case -----	
002	Customer Renault Vehicules Industriels	
003	City Saint Priest Cedex	
004	DUNS 27-813-6346	
005	Product description -----	
006	INSTALLATION POS TRANSMISSION HORIZONTAL LEFT	
007	TRANSMISSION ATTACHMENT FLANGE-MOUNTED	
009	RATIO, BOTTOM GEAR 13.8	
010	RATIO, TOP GEAR .84	
011	RATIO, 1ST GEAR 13.8	
012	RATIO, 2ND GEAR 11.54	
013	RATIO, 3RD GEAR 9.49	
014	RATIO, 4TH GEAR 7.93	
015	RATIO, 5TH GEAR 6.53	
016	RATIO, 6TH GEAR 5.46	
017	RATIO, 7TH GEAR 4.57	
018	RATIO, 8TH GEAR 3.82	
019	RATIO, 9TH GEAR 3.02	
020	RATIO, 10TH GEAR 2.53	
021	RATIO, 11TH GEAR 2.08	
022	RATIO, 12TH GEAR 1.74	
023	RATIO, 13TH GEAR 1.43	
024	RATIO, 14TH GEAR 1.2	
025	RATIO, 15TH GEAR 1	
026	RATIO, 16TH GEAR .84	
027	RATIO, 1ST GEAR REVERSE 12.92	
028	RATIO, 2ND GEAR REVERSE 10.8	
029	SET OF RATIOS SG	
030	UEBERSETZUNGSREIHE BASIS DG	
031	NUMBER OF PLANETARY GEARS 5	
032	UEBERSETZUNG PLANETENSATZ 4.565	
033	AUSF VERZAHNUNG PLANETENSATZ OBLIQUE TOOTHING	
034	DESIGN, SHIFT SYSTEM TURNING SHAFT	



Pos.	Information	Amendment number
035	POSITION, GEAR SHIFT SYSTEM HORIZONTAL LEFT	
036	DESIGN, SHIFT PATTERN H-H	
037	VERSION SHIFT SUPPORT SERVO	
038	VERSION ACTUATION SHIFT SYSTEM CONTROL CABLE	
040	VERSION TUBE R/C PLASTIC-FORM-PIPE	
042	VERSION TUBE SERVO PLASTIC PIPING	
052	DESIGN, THROTTLE, CUT-OFF VALVE D=1.55	
053	AUSF LUFTANSCHL ABSCHALTVENTIL G	
054	MONTAGEHINWEIS ABSCHALTVENTIL CUT-OFF VALVE	
057	SELECTION PATTERN VARIANT GEAR SHIFT PATTERN 1	
061	DESIGN, SEPARATING CLUTCH FULL-SYNCHRONIZED	
062	VERSION OF SYNCHRONIZER 1 1.+2.GEAR DK-SYNCHRONIZATION	
063	VERSION OF SYNCHRONIZER 2 3.+4.GEAR BK-SYNCHRONIZATION	
064	REFERENCE LENGTH INPUT SHAFT 109 mm	
065	STANDARD TYPE INPUT SHAFT SAE	
066	NUMBER OF WEDGES INPUT SHAFT 10	
069	VERSION OF INPUT SHAFT FORM C	
070	NOMINAL DIAMETER INPUT SHAFT 2 in	
072	DIAMETER, JOURNAL, INPUT SHAFT 25 mm	
073	TYPE FIT SPIGOTS INPUT SHAFT F7	
074	VER. BEAR. SPIGOTS INPUT SHAFT TAPER ROLLER	
075	LENGTH, INPUT SHAFT 382.5 mm	
076	DIAMETER SHAFT OF INPUT SHAFT 50.3 mm	
077	LENGTH, PROFILE, INPUT SHAFT 120 mm	
078	BUSH VARIANT INPUT SHAFT WITHOUT GROOVE	
079	VERSION BEARING CONSTANT 1 GL	
080	DIAMETER BEARING INPUT SHAFT 99.916 mm	
081	TYPE FIT BEAR. INPUT SHAFT H5	
083	DESIGN, CONN., CLUTCH HOUSING SAE 1	
088	VERSION OF CLUTCH HOUSING INTEGRATED	
089	DESIGN BEARING OUTPUT STANDARD SUSPENSION	
091	POSITION MOUNT. FACE HOUSING 2 LEFT/RIGHT	
098	REF.LENGTH, RELEASE BEAR.FLAN -7 mm	



Pos.	Information	Amendment number
099	DIAMETER, RELEASE FLANGE 60 mm	
100	TYPE FIT RELEASE BEARING FLA. F8	
104	ASSEMBLY POS. CLUTCH CYLINDER 6	
122	DIMENSION SHIFT TURRET DIST. 300 mm	
123	MEAS. LOC. SHIFT TURRET DIST. SHIFT LEVER-LOCATION	
124	RADIUS SELECTOR LEVER 42.000 mm	
125	SELECTOR LEVER POSITION B	
126	DESIGN OFFSET SELECTOR LEVER OUTSIDE	
127	LENGTH OFFSET SELECTOR LEVER 3.500 mm	
129	RADIUS 1 SHIFT LEVER 70 mm	
130	SHIFT LEVER CONNECTION HEXAGON	
131	DESIGN, OFFSET, SHIFT LEVER OUTSIDE	
133	LEVER POSITION SHIFTING OUTPUT A	
147	SPRING ARRANGEMENT Q1	
148	SPRING FORCE DETENT PLUNGER RG 90 N	
149	HUMP SPRING FORCE, OUTSIDE 90 N	
152	SELECTOR SPRING FORCE, OUTSIDE 35 N	
155	SPRING FORCE OUTS. DETENT NEUT 200 N	
157	ALLOCATION DETENT LEVER VER. C	
165	SWITCH, REVERSE GEAR y	
166	DESIGN, RG (REV.GEAR) SWITCH CLOSING	
167	DESIGN, CONNECTION, RG SWITCH DIN BAYONET	
168	CODE SWITCH RG A1	
169	PROT.CAP SWITCH, REVERSE GEAR y	
171	NOTE ON SWITCH, REVERSE GEAR G.SHIFT SHAFT	
172	SWITCH, NEUTRAL GEAR y	
173	DESIGN,NG(NEUTRAL GEAR)SWITCH OPENING SWITCH	
174	DESIGN, CONNECTION, NG SWITCH DIN BAYONET	
175	CODE SWITCH NG A1	
176	PROT.CAP SWITCH, NEUTRAL GEAR y	
193	FUNCTION OF R/C SWITCH GP	
194	DESIGN, GP SWITCH PREPARED	
197	PROTECTING CAP GP SWITCH n	



Pos.	Information	Amendment number
204	FUNCTION OF S/G SWITCH GV	
205	DESIGN, GV SWITCH OPENING SWITCH	
206	DESIGN, CONNECTION, GV SWITCH DIN BAYONET	
208	PROTECTING CAP GV SWITCH y	
257	VER. TRANSMISSION VENTILATION BREATHER	
294	MOUNTING POS., PULS SENSOR H78 INTARDER	
295	AUSF IMPULSGEBER RETARDER H78 WITH	
299	SCHUTZKAPPE IMP.GEBER RET H78 y	
300	IMPULSZAHL TACHOANTRIEB H78 8.2 IMP/U	
301	MOUNTING POSITION PULSE SENSOR H80 INTARDER	
302	DESIGN PULSE SENSOR RETARDER H80 PREPARED	
306	PROT.CAP PULSE SENSOR RET. H80 n	
307	NO.OF PULSES PULSE SENSOR RET. H80 8.2 IMP/U	
308	POSITION, OIL FILLER HOUSING, LH SIDE	
309	NOTE ON OIL FILL FILL IN OVERFLOW	
324	Documents -----	
325	Drawing 1315.051.503	
326	Drawing 1316.101.035	
327	TURN.SHAFT CONT Drawing 1316.173.042	



# Assembly group overview

Material number: 1315.051.759

16 S 151 IT /

Page 1 from 2



Graphics	Pos.	Material number	Name	Quantity	Amend. no.	Techn. Info.
068.01.04-1	110	1315.101.144	TRANSMISSION HOUSING	1		
068.01.51-1	120	1315.101.977	TRANSMISSION HOUSING	1		
068.02.54-1	140	1315.102.429	CONNECTION PLATE	1		
068.02.82-1	150	1315.102.811	INPUT SHAFT	1		
068.02.02-1	910	1315.102.055	INPUT SHAFT	1		
068.03.80-1	180	1316.103.803	COUNTERSHAFT	1		
068.03.01-1	920	1315.103.019	COUNTERSHAFT	1		
068.04.12-1	930	1315.104.027	MAIN SHAFT	1		
068.06.01-1	230	1315.106.008	SHIFT SYSTEM	1		
068.06.43-1	234	1315.106.422	CONNECTING PARTS	1		
068.06.80-1	238	1315.106.800	SHIFT SYSTEM	1		
068.07.27-1	292	1316.108.824	GEAR SHIFT HOUSING	1		
068.07.31-1	910	1316.108.046	GEAR SHIFT HOUSING	1		
068.07.27-1	914	1316.108.466	GEAR SHIFT SHAFT	1		
068.07.56-1	924	1316.108.031	DETENT	1		
062.08.30-1	954	1316.171.403	END COVER	1		
068.08.02-1	960	1316.171.406	PNEUMATIC SERVO UNIT	1		
068.08.80-1	964	1316.171.807	CONNECTING PARTS	1		
068.09.01-1	934	1316.109.022	CONNECTING PARTS	1		
068.09.11-1	940	1316.109.433	CONNECTING PARTS	1		
068.10.02-1	296	1316.111.802	SELECTOR LEVER	1		
068.10.02-1	932	1316.111.004	SELECTOR LEVER	1		
068.12.12-1	918	1316.149.430	SET OF SPRINGS	1		
068.40.04-1	500	1315.112.014	GV-SHIFT SYSTEM	1		
068.40.41-1	502	1315.112.422	CONNECTING PARTS	1		
068.43.01-1	20	1315.131.038	RC HOUSING	1		
068.43.42-1	30	1315.131.405	CLOSING COMPONENTS	1		
068.43.81-1	512	1315.131.804	RC HOUSING	1		
068.43.41-1	516	1315.131.413	CONNECTING PARTS	1		
068.44.07-1	40	1315.132.016	PLANETARY DRIVE	1		
068.45.03-1	70	1316.133.010	SYNCHRONIZER	1		
068.45.40-1	80	1315.133.405	SYNCHRONIZER	1		

# Assembly group overview

Material number: 1315.051.759

16 S 151 IT /

Page 2 from 2



Graphics	Pos.	Material number	Name	Quantity	Amend. no.	Techn. Info.
068.46.03-1	90	1315.134.015	GP SHIFT SYSTEM	1		
068.46.41-1	554	1315.134.409	CONNECTING PARTS	1		
068.57.04-1	390	1315.145.004	RANGE SELECTION	1		

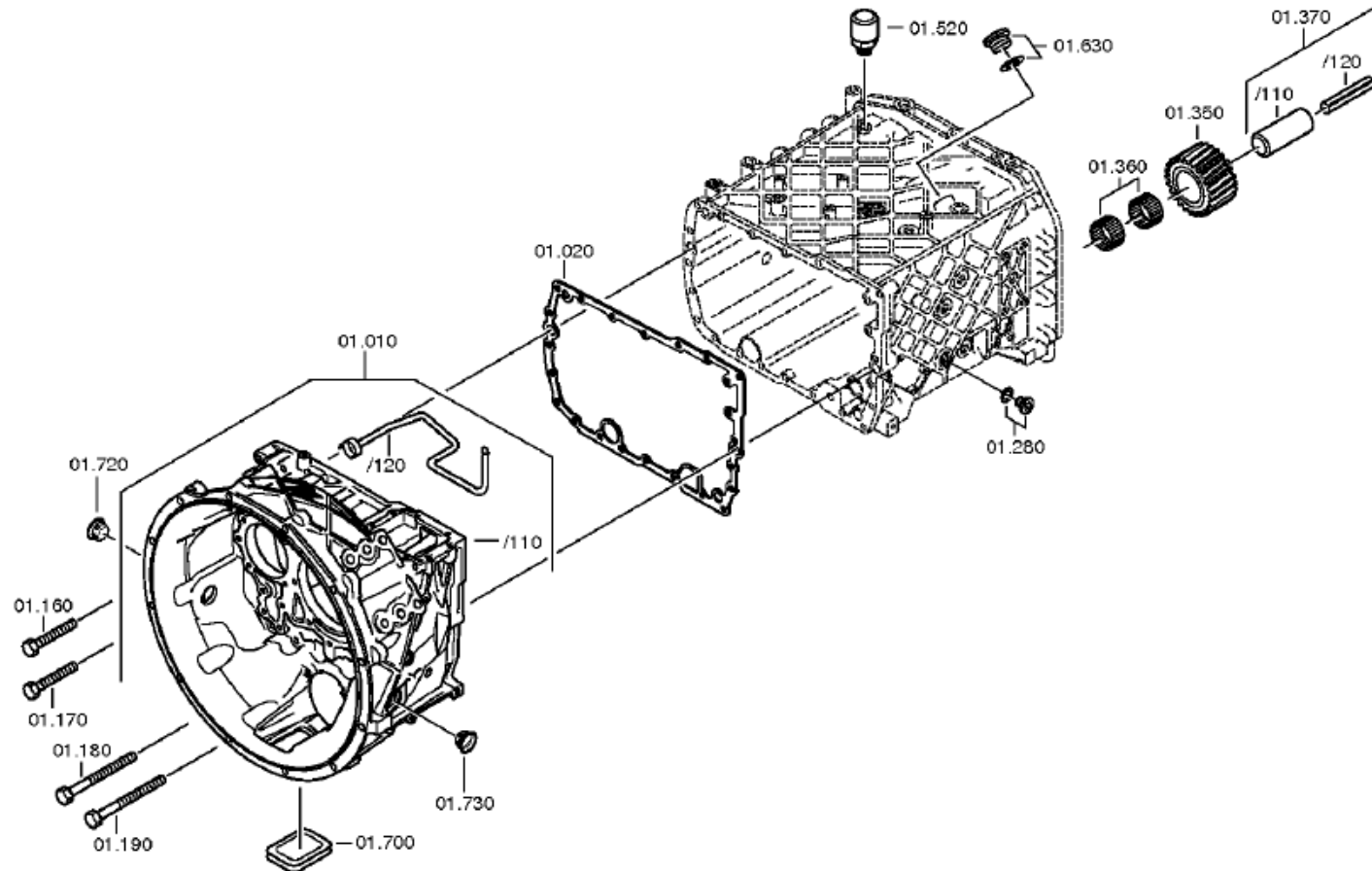


# Plant

Page 2 from 2

Material number: 1315.051.759  
Plate: 068.01.51-1  
**TRANSMISSION HOUSING**

16 S 151 IT /  
**TRANSMISSION HOUSING**



# Parts list

Page 1 from 2

Material number: 1315.051.759

16 S 151 IT /

Plate: 068.01.04-1

Material-assembly-group-no: 1315.101.144



Pos.	Material number	Customer material	Name	Quantity	ME	Amend. no.	Techn. Info.	Weight	Rep kit	Alternative material
10	1316.201.142		CLUTCH HOUSING	1			KPL.	0,000		
/110	1316.301.064		CLUTCH HOUSING	1			ENTHALT.IN 1316 301 060(0)	0,000		
/120	1315.201.097		TUBE	1			KPL.	0,000		
20	1315.301.233	5 5367 0	GASKET	1		C01005348C10		0,000		
30	1315.201.204		HOUSING	1			KPL.	0,000		
50	---		SCREW PLUG	1		Z00010176111	M24X1,5	0,000		
---	0736.300.160	4471982.1	SCREW PLUG	1		Z00010176110	M24X1,5 M24X1,5	0,000		
---	0730.008.637		SEALING RING	1		Z00010176110	24X29	0,000		
90	---		SCREW PLUG	1		Z00010164013	50N.M*DICHTRING M22X1,5	0,000		
---	0636.100.824		SCREW PLUG	1		Z00010164019	M22X1,5	0,000		
---	0730.009.515		SEALING RING	1		Z00010164019	A22X27	0,000		
100	---		SCREW PLUG	1		Z00010164013	50N.M*DICHTRING M22X1,5	0,000		
---	0636.100.824		SCREW PLUG	1		Z00010164019	M22X1,5	0,000		
---	0730.009.515		SEALING RING	1		Z00010164019	A22X27	0,000		
140	0731.201.563		CYLINDRICAL PIN	4				0,000		
160	0736.300.123	1880233	HEXAGON SCREW	14			M10X70 M10X70	0,000		
170	---		HEXAGON SCREW	1			M10X70	0,000		
---	0736.300.123	1880233	HEXAGON SCREW	1			M10X70 M10X70	0,000		
180	0736.300.119	1896749	HEXAGON SCREW	6		Z00009403410	M10X140 M10X140	0,000		
190	---		HEXAGON SCREW	1		Z00009403410	M10X140	0,000		
---	0736.300.119	1896749	HEXAGON SCREW	1		Z00009403412	M10X140 M10X140	0,000		
230	---		SCREW PLUG	1		Z00010164210	60N.M*DICHTRING M24X1,5	0,000		
---	0636.302.612		SCREW PLUG	1		Z00010164215	M24X1,5	0,000		
---	0730.008.637		SEALING RING	1		Z00010164215	24X29	0,000		
280	---		SCREW PLUG	1		Z00010112111	60N.M*DICHTRING M24X1,5	0,000		
---	0636.304.088		SCREW PLUG	1		Z00010112110	M24X1,5	0,000		
---	0730.008.637		SEALING RING	1		Z00010112110	24X29	0,000		
300	0501.318.802	5718 742 08	SCREEN INSERT	1				0,000		
310	1315.201.111		SPRAY TUBE	1			KPL. IN 1315 201 112(0)	0,000		

# Parts list

Page 2 from 2

Material number: 1315.051.759

16 S 151 IT /

Plate: 068.01.04-1

Material-assembly-group-no: 1315.101.144



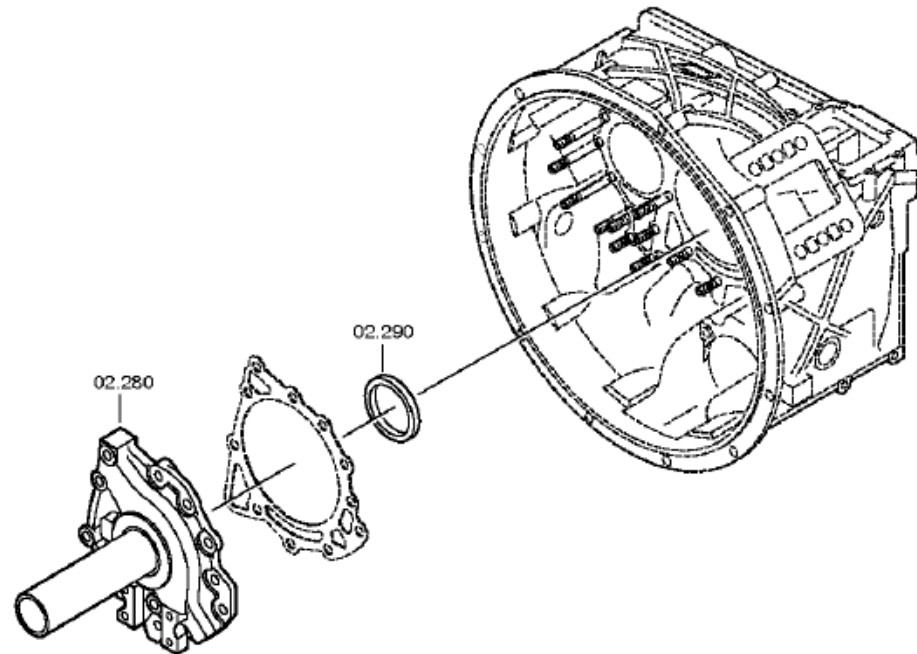
Pos.	Material number	Customer material	Name	Quantity	ME	Amend. no.	Techn. Info.	Weight	Rep kit	Alternative material
340	0634.313.198	1000004936	O-RING	1			20X3	1		
350	---		REVERSE IDLER GEAR	1		Z00010875410		0,000		
360	0750.115.366	5 8107 0	NEEDLE CAGE	2			45,0X57,0X21,0	0,000		
370	1315.201.053		REVERSE IDLER SHAFT	1			KPL.16S151*DG*L=84	0,000		
7120	0631.329.294		SLOTTED PIN	1			10X100	0,000		
420	---		COVER	1				0,000		
---	1315.301.047		COVER	1				0,000		
---	1315.301.039		COVER	1			ENTHALT.IN 1315 301 035(0)	0,000		
430	1315.301.234		GASKET	1				0,000		
440	0636.100.432		HEXAGON SCREW	13		Z00007349511	M10X28	0,000		
500	---		TYPE PLATE	1			KONZERN	0,000		
---	0730.365.241		TYPE PLATE	1			EINHEITSSCH. VERDREHSICHER	0,000		
---	0730.365.259		TYPE PLATE	1			EINHEITSSCH. VERDREHSICHER	0,000		
---	0730.365.267		TYPE PLATE	1			CHINA	0,000		
---	0730.300.258		TYPE PLATE	1			EINHEITSSCH. VERDREHSICHER	0,000		
---	0730.365.271		TYPE PLATE	1			RUSSLAND/ KYRILLISCH	0,000		
---	0730.365.257		TYPE PLATE	1			S.S.CH IRAN	0,000		
510	0731.300.027		BLIND RIVET	4		Z00007904810		0,000		
520	0501.218.540		BREATHER	1				0,000		
600	1313.306.013		LOCKING PIN	1				0,000		
620	0732.040.736	2150041300	COMPRESSION SPRING	1				5,200		
630	---		SCREW PLUG	1		Z00010164412	70N.M*DICHTRING M26X1,5	0,000		
---	0636.100.811		SCREW PLUG	1		Z00010164420	M26X1,5	0,000		
---	0634.801.249		SEALING RING	1		Z00010164420	26X31	0,010		
700	1315.301.230		PROTECTION CAP	1				0,000		
720	0501.321.840		PLUG	1				0,000		
730	0501.321.840		PLUG	1				0,000		

# Plant

Page 1 from 3

Material number: 1315.051.759  
Plate: 068.02.54-1  
INPUT SHAFT

16 S 151 IT /  
CONNECTION PLATE

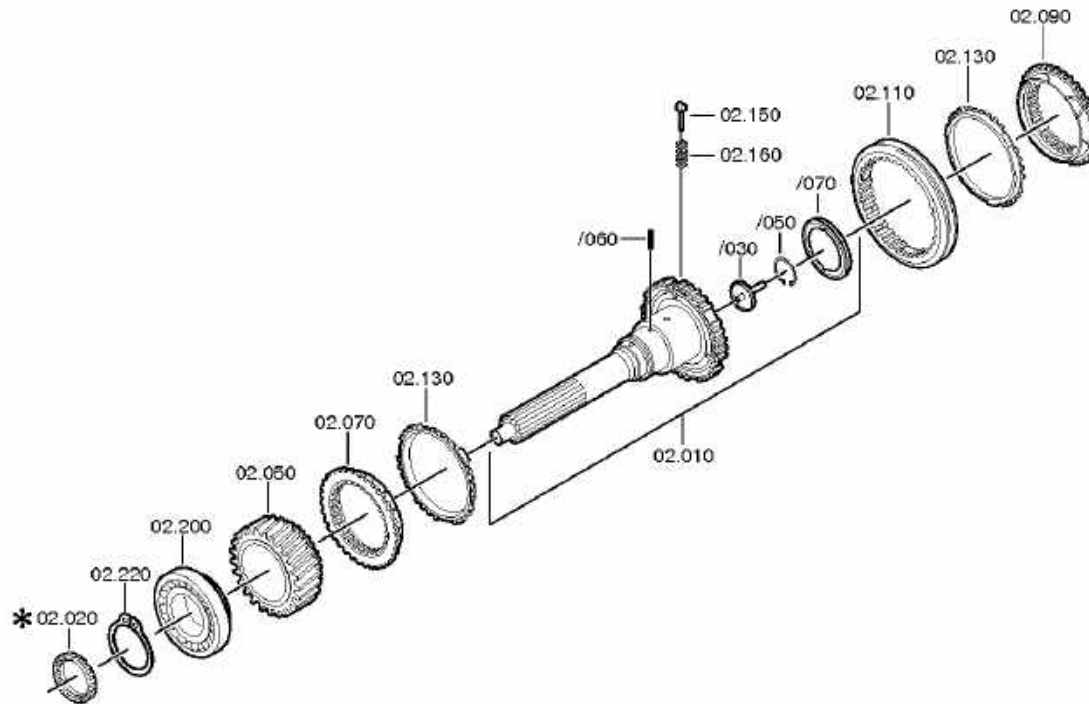


# Plant

Page 2 from 3

Material number: 1315.051.759  
Plate: 068.02.02-1  
INPUT SHAFT

16 S 151 IT /  
CONNECTION PLATE



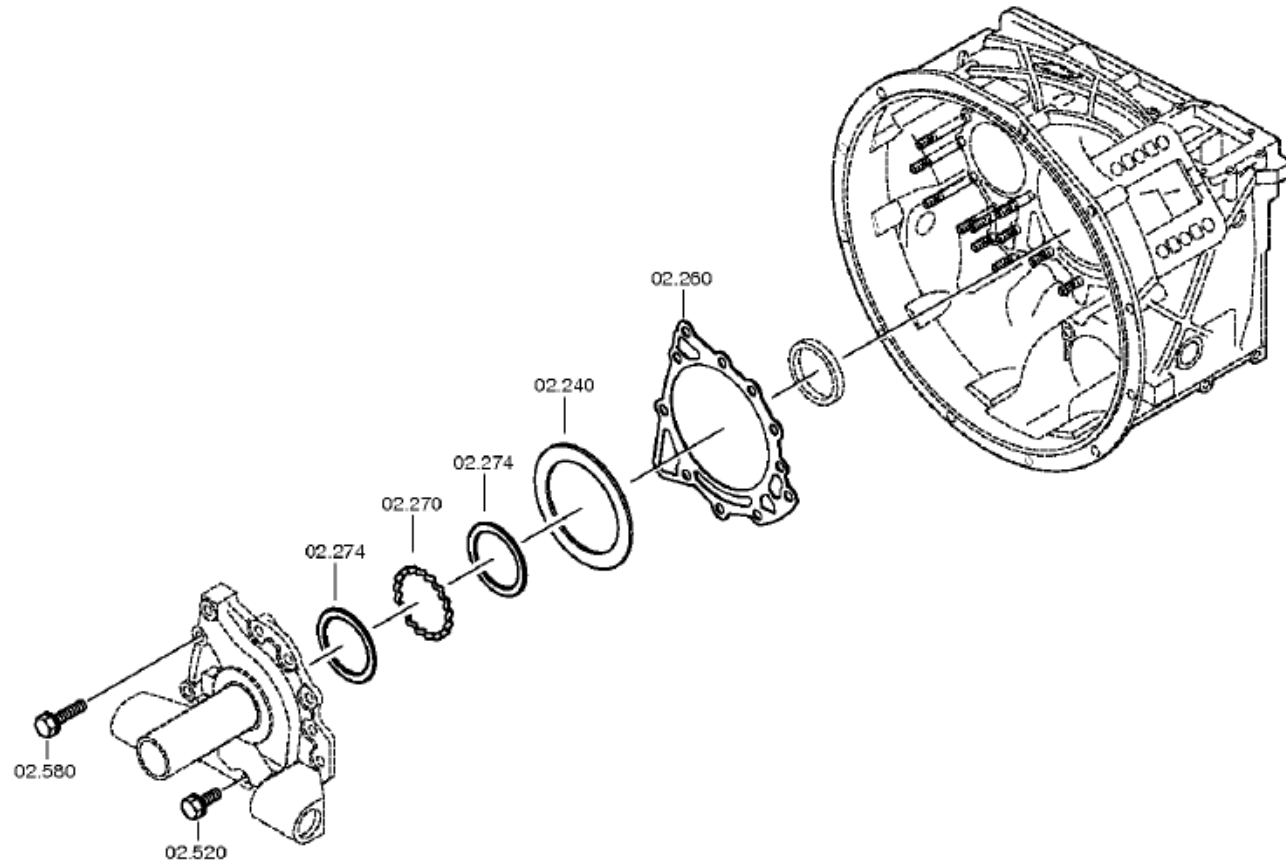


# Plant

Page 3 from 3

Material number: 1315.051.759  
Plate: 068.02.82-1  
INPUT SHAFT

16 S 151 IT /  
CONNECTION PLATE



# Parts list

Page 1 from 3

Material number: 1315.051.759

16 S 151 IT /

Plate: 068.02.54-1

Material-assembly-group-no: 1315.102.429



Pos.	Material number	Customer material	Name	Quantity	ME	Amend. no.	Techn. Info.	Weight	Rep kit	Alternative material
10	1315.202.037		INPUT SHAFT	1			KPL.L109*GL100*ZAPF.25	0,000		
/10	1355.302.002		INPUT SHAFT	1		Z00011537210		0,000		
/30	1354.302.019		TUBE	1		Z00003830511		0,000		
/50	0630.502.027		RETAINING RING	1			50X2	8		
/70	0750.101.179	1896784	OIL DAM	1		Z00007187910	77,0X95,5X6,0	0,000		
50	1315.302.158		HELICAL GEAR	1			Z35 IN 1315 302 156(1)	0,000		
70	1312.304.027	81.32425-0092	CLUTCH BODY	1			ENTHALT.IN 1310 304 107(1)	0,000		
90	1312.304.027	81.32425-0092	CLUTCH BODY	1		C01004680D10	ENTHALT.IN 1310 304 107(1)	0,000		
110	1310.304.202	5 5321 0	SLIDING SLEEVE	1		C01005378A10		0,000		
130	1297.304.484	81.32420-0230	SYNCHRONING	2				0,000		
150	1297.304.436		PRESSURE PART	3				0,004		
160	0732.040.409		COMPRESSION SPRING	3		C01007317F10		0,002		
200	0750.117.732	5 8301 0	TAPERED ROLLER BEARING	1			85,0X150,0X30,5	0,000		
220	0730.501.598		RETAINING RING	1		C01007992110	85X4	0,000		
240	---		SHIM	1			H= 0,90- 2,40( ABSTUFUNG:0,05MM)	0,000		
---	2050.309.094		SHIM	1			A=2,2 IN 2050 309 090 C45E WW.F500 ZFN410	0,000		
---	0730.007.489		SHIM	1			A=2,15 IN 2050 309 090(2)	0,000		
---	0730.007.488		SHIM	1			A=2,10 IN 2050 309 090(2)	0,000		
---	0730.007.487		SHIM	1			A=2,05 IN 2050 309 090(2)	0,000		
---	0730.007.486		SHIM	1			A=2,00 IN 2050 309 090(2)	0,000		
---	0730.007.485		SHIM	1			A=1,95 IN 2050 309 090(2)	0,000		
---	0730.007.484		SHIM	1			A=1,90 IN 2050 309 090(2)	0,000		
---	0730.007.483		SHIM	1			A=1,85 IN 2050 309 090(2)	0,000		

# Parts list

Page 2 from 3

Material number: 1315.051.759

16 S 151 IT /

Plate: 068.02.54-1

Material-assembly-group-no: 1315.102.429



Pos.	Material number	Customer material	Name	Quantity	ME	Amend. no.	Techn. Info.	Weight	Rep kit	Alternative material
---	0730.007.482		SHIM	1			A=1,80 IN 2050 309 090(2)	0,000		
---	0730.007.481		SHIM	1			A=1,75 IN 2050 309 090(2)	0,000		
---	0730.007.480	1833896	SHIM	1			A=1,70 IN 2050 309 090(2)	0,000		
---	0730.007.479		SHIM	1			A=1,65 IN 2050 309 090(2)	0,000		
---	0730.007.136		SHIM	1			A=1,60 IN 2050 309 090(2)	0,000		
---	0730.007.135		SHIM	1			A=1,55 IN 2050 309 090(2)	0,000		
---	0730.007.134		SHIM	1			A=1,50 IN 2050 309 090(2)	0,000		
---	0730.007.133		SHIM	1			A=1,45 IN 2050 309 090(2)	0,000		
---	0730.007.132		SHIM	1			A=1,40 IN 2050 309 090(2)	0,000		
---	0730.007.131		SHIM	1			A=1,35 IN 2050 309 090(2)	0,000		
---	0730.007.130		SHIM	1			A=1,30 IN 2050 309 090(2)	0,000		
---	0730.007.129		SHIM	1			A=1,25 IN 2050 309 090(2)	0,000		
---	2050.309.034		SHIM	1			A=1,2 IN 2050 309 090 C45E WW.F500 ZFN410	0,000		
---	0730.007.128		SHIM	1			A=1,15 IN 2050 309 090(2)	0,000		
---	0730.007.127		SHIM	1			A=1,10 IN 2050 309 090(2)	0,000		
---	0730.007.126		SHIM	1			A=1,05 IN 2050 309 090(2)	0,000		
---	2050.309.065		SHIM	1			A=1,0 IN 2050 309 090 C45E WW.F500 ZFN410	0,000		

# Parts list

Page 3 from 3

Material number: 1315.051.759

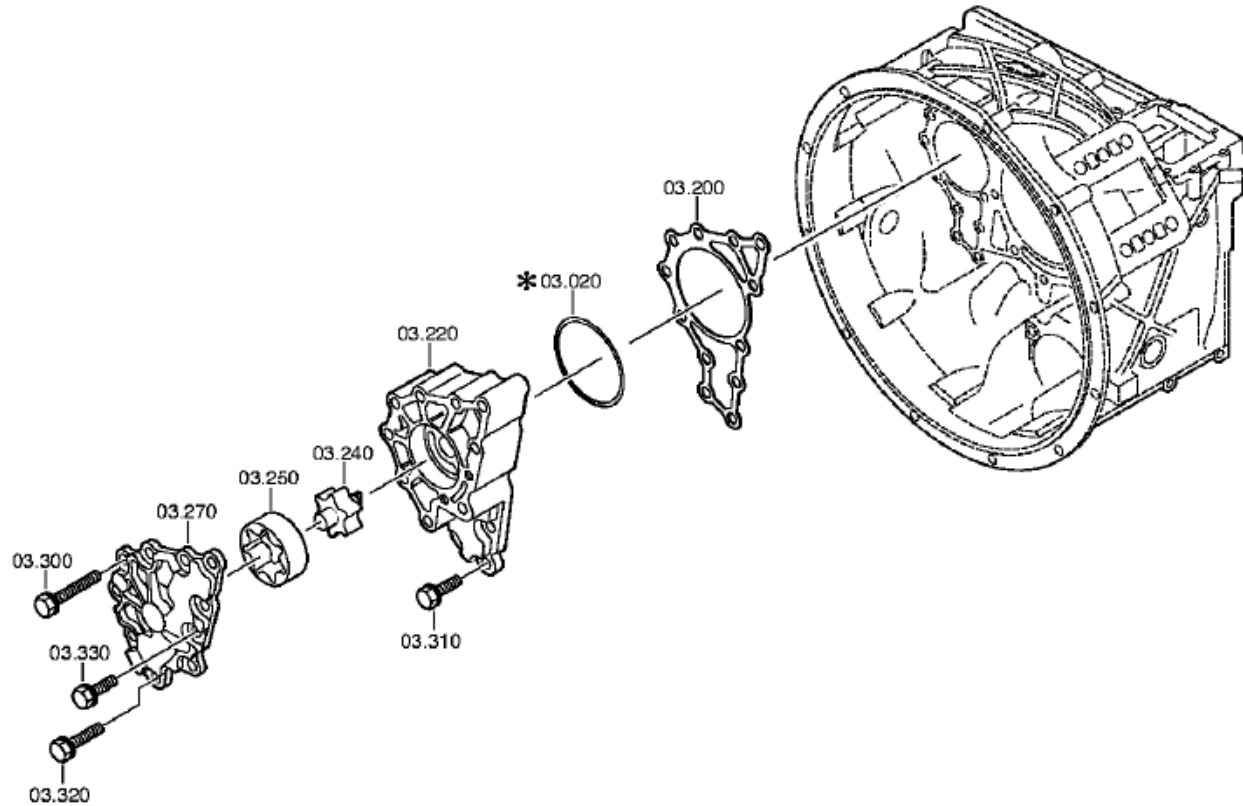
16 S 151 IT /

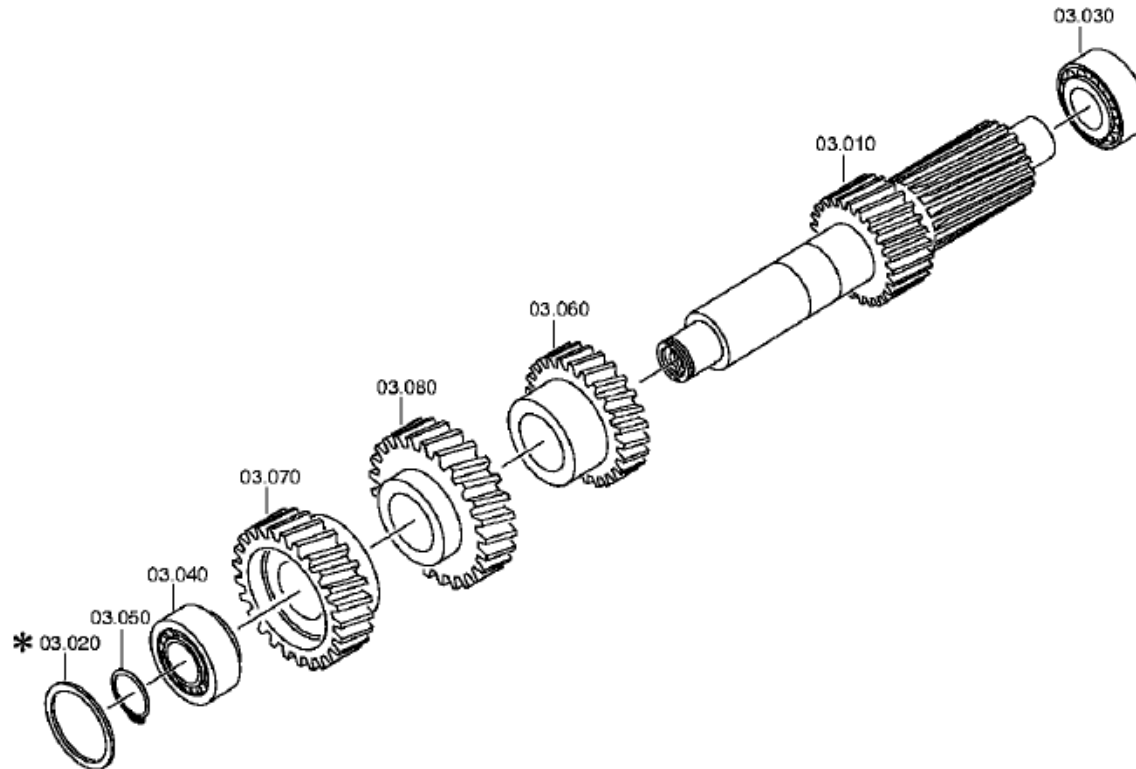
Plate: 068.02.54-1

Material-assembly-group-no: 1315.102.429



Pos.	Material number	Customer material	Name	Quantity	ME	Amend. no.	Techn. Info.	Weight	Rep kit	Alternative material
---	0730.005.749		SHIM	1			A=0,95 IN 2050 309 090(2)	0,000		
---	0730.005.748	5 5258 0	SHIM	1			A=0,90 IN 2050 309 090(2)	0,000		
---	0730.301.503		SHIM	1			h=2,25	0,000		
---	0730.301.504		SHIM	1			h=2,30	0,000		
---	0730.301.505		SHIM	1			h=2,35	0,000		
---	0730.301.506		SHIM	1			h=2,40	0,000		
260	0501.314.587	5 6095 0	GASKET	1				0,000		
270	1315.302.040		SPACER RING	1				0,000		
274	0730.150.766		WASHER	2				0,000		
280	1315.302.136	5 5335 0	CONNECTION PLATE	1				0,000		
290	---		SHAFT SEAL	1		C01002111D10	75X55X8	0,000		
---	0734.310.387	5 8002 0	SHAFT SEAL	1			55X75X8/9,2 FA.CFW	0,000		
520	0636.015.685		HEXAGON SCREW	8		Z00009177310	M10X35	0,000		
580	0636.102.270	0636 102 270 01	HEXAGON SCREW	3		Z00009177410	M10X60	0,000		





# Parts list

Page 1 from 3

Material number: 1315.051.759

16 S 151 IT /

Plate: 068.03.80-1

Material-assembly-group-no: 1316.103.803



Pos.	Material number	Customer material	Name	Quantity	ME	Amend. no.	Techn. Info.	Weight	Rep kit	Alternative material
10	1315.303.063		COUNTERSHAFT	1				0,000		
20	---		SHIM	1			H= 1,85- 3,25( ABSTUFUNG:0,05MM)	0,000		
---	0730.112.938		SHIM	1		C01007375C10	A=3,25	0,000		
---	0730.112.937		SHIM	1		C01007375C10	A=3,20	0,000		
---	0730.112.936		SHIM	1		C01007375C10	A=3,15	0,000		
---	0730.112.935		SHIM	1		C01007375C10	A=3,10	0,000		
---	0730.106.860		SHIM	1		C01007375C10	A=3,05 IN 0730 106 904(2)	0,000		
---	0730.106.917		SHIM	1			A=3,00 IN 0730 106 904(2)	0,000		
---	0730.106.916	1833921	SHIM	1			A=2,95 IN 0730 106 904(2)	0,000		
---	0730.106.915	1833920	SHIM	1			A=2,90 IN 0730 106 904(2)	0,000		
---	0730.106.914	1833919	SHIM	1			A=2,85 IN 0730 106 904(2)	0,000		
---	0730.106.913	1833918	SHIM	1			A=2,80 IN 0730 106 904(2)	0,000		
---	0730.106.912		SHIM	1			A=2,75 IN 0730 106 904(2)	0,000		
---	0730.106.911	1833917	SHIM	1			A=2,70 IN 0730 106 904(2)	0,000		
---	0730.106.910	1833916	SHIM	1			A=2,65 IN 0730 106 904(2)	0,000		
---	0730.106.909	1833915	SHIM	1			A=2,60 IN 0730 106 904(2)	0,000		
---	0730.106.908	1833914	SHIM	1			A=2,55 IN 0730 106 904(2)	0,000		
---	0730.100.799		SHIM	1			A=2,50 IN 0730 106 904(2)	0,000		
---	0730.100.800	1833898	SHIM	1			A=2,45 IN 0730 106 904(2)	0,000		
---	0730.100.801		SHIM	1			A=2,40 IN 0730 106 904(2)	0,000		

# Parts list

Page 2 from 3

Material number: 1315.051.759

16 S 151 IT /

Plate: 068.03.80-1

Material-assembly-group-no: 1316.103.803



Pos.	Material number	Customer material	Name	Quantity	ME	Amend. no.	Techn. Info.	Weight	Rep kit	Alternative material
---	0730.100.802	1833900	SHIM	1			A=2,35 IN 0730 106 904(2)	0,000		
---	0730.100.803	1833905	SHIM	1			A=2,30 IN 0730 106 904(2)	0,000		
---	0730.101.466		SHIM	1			A=2,25 IN 0730 106 904(2)	0,000		
---	0730.101.467	1833906	SHIM	1			A=2,20 IN 0730 106 904(2)	0,000		
---	0730.101.468	1833907	SHIM	1			A=2,15 IN 0730 106 904(2)	0,000		
---	0730.101.469	1833909	SHIM	1			A=2,10 IN 0730 106 904(2)	0,000		
---	0730.101.470	1833910	SHIM	1			A=2,05 IN 0730 106 904(2)	0,000		
---	0730.101.471		SHIM	1			A=2,00 IN 0730 106 904(2)	0,000		
---	0730.106.907	1833912	SHIM	1			A=1,95 IN 0730 106 904(2)	0,000		
---	0730.106.906	1833911	SHIM	1			A=1,90 IN 0730 106 904(2)	0,000		
---	0730.106.905		SHIM	1			A=1,85 IN 0730 106 904(2)	0,000		
30	0750.117.009	8 8449 0	TAPERED ROLLER BEARING	1			49,2X103,1X43,6	0,000		
40	0750.117.009	8 8449 0	TAPERED ROLLER BEARING	1			49,2X103,1X43,6	0,000		
50	---		RETAINING RING	1			H= 2,40- 3,00( ABSTUFUNG:0,05MM)	0,000		
---	0630.531.065	8603574	RETAINING RING	1			50X3	16		
---	0630.501.111		RETAINING RING	1			50X2,95	0,000		
---	0630.501.112	0002640551	RETAINING RING	1			50X2,9	0,000		
---	0630.501.113		RETAINING RING	1			50X2,85	0,000		
---	0630.501.114	0002641451	RETAINING RING	1			50X2,8	0,000		
---	0630.501.115		RETAINING RING	1			50X2,75	0,000		
---	0630.501.116	0002641351	RETAINING RING	1			50X2,7	0,000		
---	0630.501.117		RETAINING RING	1			50X2,65	0,000		
---	0630.501.118	0002641251	RETAINING RING	1			50X2,6	0,000		



# Parts list

Page 3 from 3

Material number: 1315.051.759

16 S 151 IT /

Plate: 068.03.80-1

Material-assembly-group-no: 1316.103.803



Pos.	Material number	Customer material	Name	Quantity	ME	Amend. no.	Techn. Info.	Weight	Rep kit	Alternative material
---	0630.501.160		RETAINING RING	1			50X2,55	0,000		
---	0630.531.064	1663657	RETAINING RING	1			50X2,5	0,100		
---	0630.501.159		RETAINING RING	1			50X2,45	0,000		
---	0630.501.148	0002641051	RETAINING RING	1			50X2,4	0,000		
60	1315.303.004		HELICAL GEAR	1				0,000		
70	1315.303.064		HELICAL GEAR	1			KON 1	0,000		
80	1315.303.050		HELICAL GEAR	1			ENTHALT.IN 1315 303 015(2)	0,000		
200	1315.303.060	H0491909	GASKET	1		C01005349C10		0,000		
220	---		PUMP HOUSING	1			GD*GSLS	0,000		
---	1315.302.121	5 5355 0	PUMP HOUSING	1				0,000		
---	1315.302.117		PUMP HOUSING	1				0,000		
240	1314.202.039	5 5842 0	PUMP SHAFT	1			KPL.	0,000		
250	1315.303.027	5 5857 0	ROTOR	1				0,000		
270	---		PUMP COVER	1			GD*GSLS	0,000		
---	1315.302.120	5 5855 0	PUMP COVER	1				0,000		
---	1315.302.116		PUMP COVER	1				0,000		
300	0636.015.684		HEXAGON SCREW	8		Z00009177510	M10X85	0,000		
310	0636.015.685		HEXAGON SCREW	3		Z00009177310	M10X35	0,000		
320	0636.102.270	0636 102 270 01	HEXAGON SCREW	1		Z00009177410	M10X60	0,000		
330	0636.015.685		HEXAGON SCREW	2		Z00009177310	M10X35	0,000		



# Parts list

Page 1 from 4

Material number: 1315.051.759

16 S 151 IT /

Plate: 068.04.12-1

Material-assembly-group-no: 1315.104.027



Pos.	Material number	Customer material	Name	Quantity	ME	Amend. no.	Techn. Info.	Weight	Rep kit	Alternative material
10	1315.304.131		MAIN SHAFT	1				0,000		
40	0750.115.584		NEEDLE CAGE	1			WTB 92,0X100,0X52,8	0,000		
50	1315.304.025		HELICAL GEAR	1			2G/Z38 IN 1315 304 033(1)	0,000		
90	1315.204.006		SYNCHRONIZER	1			KPL.1+2G*DK	0,000		
/110	1312.304.106	5 5328 0	CLUTCH DISC	1				0,000		
/120	1268.304.424	5 5280 0	INNER RING	1				0,000		
/130	1268.304.494	820-400-2510	INTERMEDIATE RING	1			ENTHALT.IN 6002 306 153(0)	0,000		
/140	1268.304.525	5 5288 0	OUTER RING	1			ENTHALT.IN 1310 304 095(1)	0,000		
/150	1312.304.158		SYNCHROBODY	1			ZF-D171/164	0,000		
/160	1312.304.159		COUPLING ELEMENT	3		C01006893A10		0,030		
/170	1310.304.175	5 5320 0	SLIDING SLEEVE	1		C01007317F10		0,000		
/180	0732.040.409		COMPRESSION SPRING	3				0,002		
/190	1297.304.436		PRESSURE PART	3				0,004		
/200	1268.304.525	5 5288 0	OUTER RING	1			ENTHALT.IN 1310 304 095(1)	0,000		
/210	1268.304.494	820-400-2510	INTERMEDIATE RING	1			ENTHALT.IN 6002 306 153(0)	0,000		
/220	1268.304.424	5 5280 0	INNER RING	1				0,000		
/230	1312.304.106	5 5328 0	CLUTCH DISC	1				0,000		
140	1313.304.038	0069573	BUSH	1			ENTHALT.IN 1312 304 007(2)	0,000		
150	0750.115.325	8 8106 0	NEEDLE CAGE	1			96,0X104,0X55,0	0,000		
160	1315.304.004		HELICAL GEAR	1			1G/Z47 IN 1315 304 020(1)	0,000		
180	1315.304.018		CLUTCH BODY	1			RG	0,000		
200	1315.304.132		BUSH	1			A=41,00	0,000		
210	0750.115.324	5 8105 0	NEEDLE CAGE	1			90,0X98,0X41,0	0,000		
220	---		HELICAL GEAR	1				0,000		
---	1315.304.006		HELICAL GEAR	1			RG/Z44 IN 1315 304 019(0)	0,000		
---	1315.304.380		HELICAL GEAR	1				0,000		

# Parts list

Page 2 from 4

Material number: 1315.051.759

16 S 151 IT /

Plate: 068.04.12-1

Material-assembly-group-no: 1315.104.027



Pos.	Material number	Customer material	Name	Quantity	ME	Amend. no.	Techn. Info.	Weight	Rep kit	Alternative material
260	0750.117.677	8 8346 0	TAPERED ROLLER BEARING	1			80,0X130,0X36,0	0,000		
270	---		RETAINING RING	1			H= 3,00- 3,65( ABSTUFUNG:0,05MM)	0,000		
---	0630.501.316	820-400-2580	RETAINING RING	1			80X3,5	0,000		
---	0630.501.336	H0109516	RETAINING RING	1			80X3,45	0,000		
---	0630.501.315	820-400-2582	RETAINING RING	1			80X3,4	0,000		
---	0630.501.335	H0109514	RETAINING RING	1			80X3,35	0,000		
---	0630.501.314	820-400-2584	RETAINING RING	1			80X3,3	0,000		
---	0630.501.334	820-400-2585	RETAINING RING	1			80X3,25	0,000		
---	0630.501.313	820-400-2586	RETAINING RING	1			80X3,2	0,000		
---	0630.501.333	820-400-2587	RETAINING RING	1			80X3,15	0,000		
---	0630.501.312	820-400-2588	RETAINING RING	1			80X3,1	0,000		
---	0630.501.337	820-400-2589	RETAINING RING	1			80X3,55	0,000		
---	0630.501.338	820-400-2590	RETAINING RING	1			80X3,6	0,000		
---	0630.501.339	820-400-2591	RETAINING RING	1			80X3,65	0,000		
280	1315.332.073		PRESSURE DISK	1				0,000		
300	1312.304.150	5 5177 0	TUBE	1				0,000		
320	0750.115.584		NEEDLE CAGE	1			WTB 92,0X100,0X52,8	0,000		
330	1315.304.027		HELICAL GEAR	1			3G/Z34 IN 1315 304 034(1)	0,000		
350	1316.304.190		CLUTCH BODY	1		Z00006981311	ZF-BK 144 O	0,000		
370	1356.204.006		SYNCHRONIZER	1		Z00006981311	KPL.3+4G*BK144 MOLYBDAEN*ANSCHL. INTEGR VERST*ECOSPLIT 3+4	0,000		
/10	1356.304.019		SYNCHROBODY	1		Z00006981313		0,000		
/20	1356.304.023		SLIDING SLEEVE	1		Z00006981313	ZF-BK 144	0,000		
/30	1316.304.189	1832004	SYNCHRO RING	2		Z00006981313	ZF-BK 144	0,000		
/50	1297.304.436		PRESSURE PART	3		Z00006981313		0,004		
/60	0732.040.409		COMPRESSION SPRING	3		Z00006981313		0,002		
390	1316.304.190		CLUTCH BODY	1		Z00006981311	ZF-BK 144 O	0,000		
410	0750.101.158		THRUST WASHER	2				0,000		
420	0750.119.125	5 8911 0	INNER RING	1			67,0X77,0X54,1	0,000		
430	0750.115.534	5 8909 0	ROLLER CAGE	2			77,0X101,0X29,0	0,000		

# Parts list

Page 3 from 4

Material number: 1315.051.759

16 S 151 IT /

Plate: 068.04.12-1

Material-assembly-group-no: 1315.104.027



Pos.	Material number	Customer material	Name	Quantity	ME	Amend. no.	Techn. Info.	Weight	Rep kit	Alternative material
440	1315.304.089		HELICAL GEAR	1			ENTHALT.IN 1315 304 023(1)	0,000		
460	---		AXIAL WASHER	1			H= 7,30- 8,00( ABSTUFUNG:0,10MM)	0,000		
---	1315.304.048	5 5877 0	AXIAL WASHER	1			A=8,00 IN 1315 304 042(2)	0,000		
---	1315.304.047	5 5859 0	AXIAL WASHER	1			A=7,90 IN 1315 304 042(2)	0,000		
---	1315.304.046		AXIAL WASHER	1			A=7,80 IN 1315 304 042(2)	0,000		
---	1315.304.045	5 5858 0	AXIAL WASHER	1			A=7,70 IN 1315 304 042(2)	0,000		
---	1315.304.044		AXIAL WASHER	1			A=7,60 IN 1315 304 042(2)	0,000		
---	1315.304.043		AXIAL WASHER	1			A=7,50 IN 1315 304 042(2)	0,000		
---	1315.304.085		AXIAL WASHER	1			A=7,40 IN 1315 304 042(2)	0,000		
---	1315.304.086	1833949	AXIAL WASHER	1			A=7,30 IN 1315 304 042(2)	0,000		
480	0750.117.232	81.93501.0080	TAPERED ROLLER BEARING	1			42,0X40,3	0,000		
500	1312.204.040		SPLIT RING	1			GESTANZT	0,000		
/10	---		SPLIT RING	2			H= 4,60- 5,00( ABSTUFUNG:0,10MM)	0,000		
---	0730.107.023	820-400-2660	SPLIT RING	2			A=5,00 IN 0730 106 207(2)	0,000		
---	0730.107.022	820-400-2661	SPLIT RING	2			A=4,90 IN 0730 106 207(2)	0,000		
---	0730.107.021	820-400-2662	SPLIT RING	2			A=4,80 IN 0730 106 207(2)	0,000		
---	0730.107.020	820-400-2663	SPLIT RING	2			A=4,70 IN 0730 106 207(2)	0,000		
---	0730.107.019	820-400-2664	SPLIT RING	2			A=4,60 IN 0730 106 207(2)	0,000		

# Parts list

Page 4 from 4

**Material number: 1315.051.759**

**16 S 151 IT /**

**Plate: 068.04.12-1**

**Material-assembly-group-no: 1315.104.027**



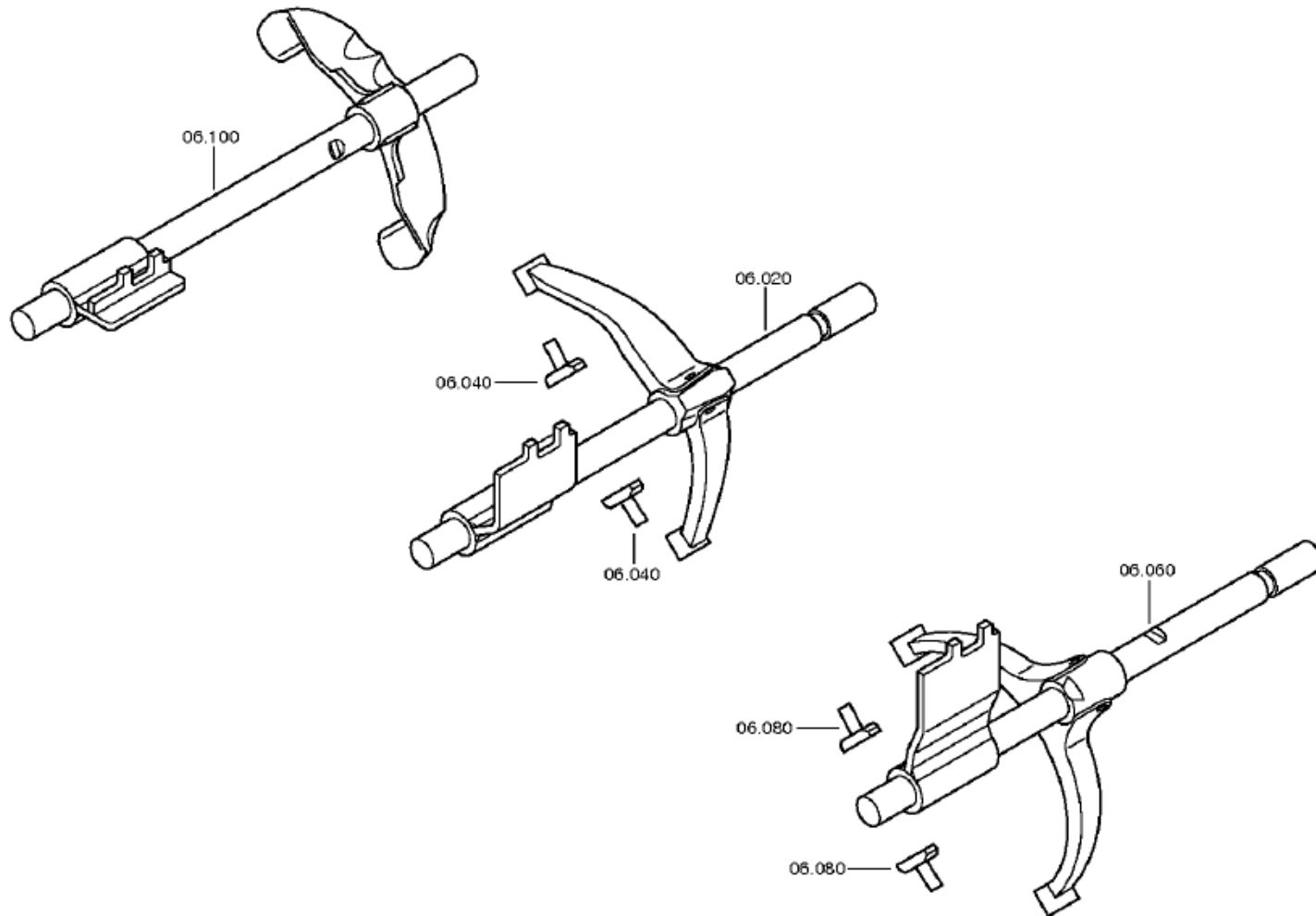
Pos.	Material number	Customer material	Name	Quantity	ME	Amend. no.	Techn. Info.	Weight	Rep kit	Alternative material
/20	0730.062.781	H0224840	RETAINING RING	1			ENTHALT.IN 0730 062 636(2)	0,000		

# Plant

Page 1 from 3

Material number: 1315.051.759  
Plate: 068.06.01-1  
SHIFT SYSTEM

16 S 151 IT /  
SHIFT SYSTEM



# Plant

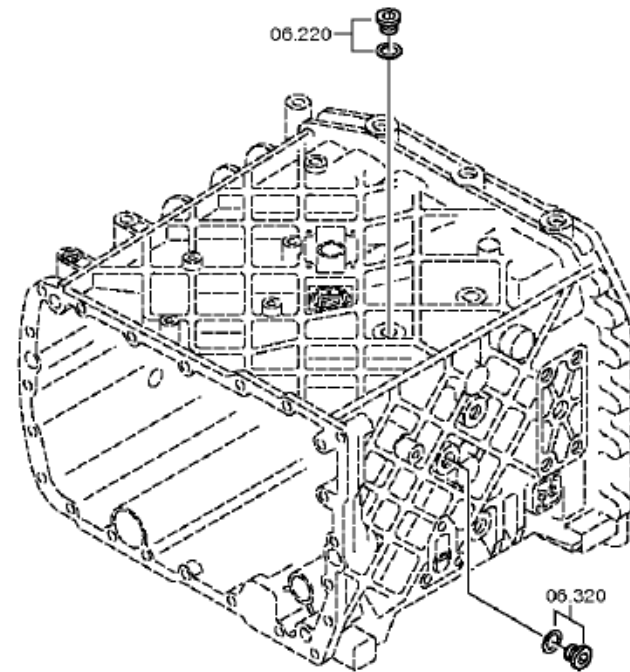
Page 2 from 3

Material number: 1315.051.759

Plate: 068.06.43-1

SHIFT SYSTEM

16 S 151 IT /  
SHIFT SYSTEM



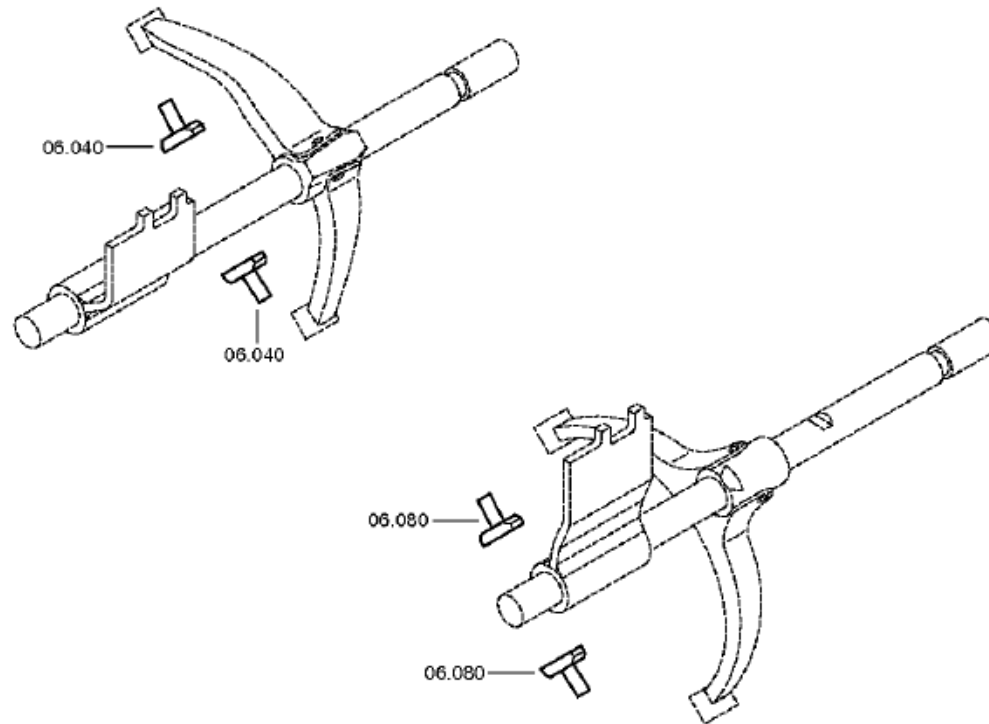


# Plant

Page 3 from 3

Material number: 1315.051.759  
Plate: 068.06.80-1  
SHIFT SYSTEM

16 S 151 IT /  
SHIFT SYSTEM



# Parts list

Page 1 from 1

Material number: 1315.051.759

16 S 151 IT /

Plate: 068.06.01-1

Material-assembly-group-no: 1315.106.008



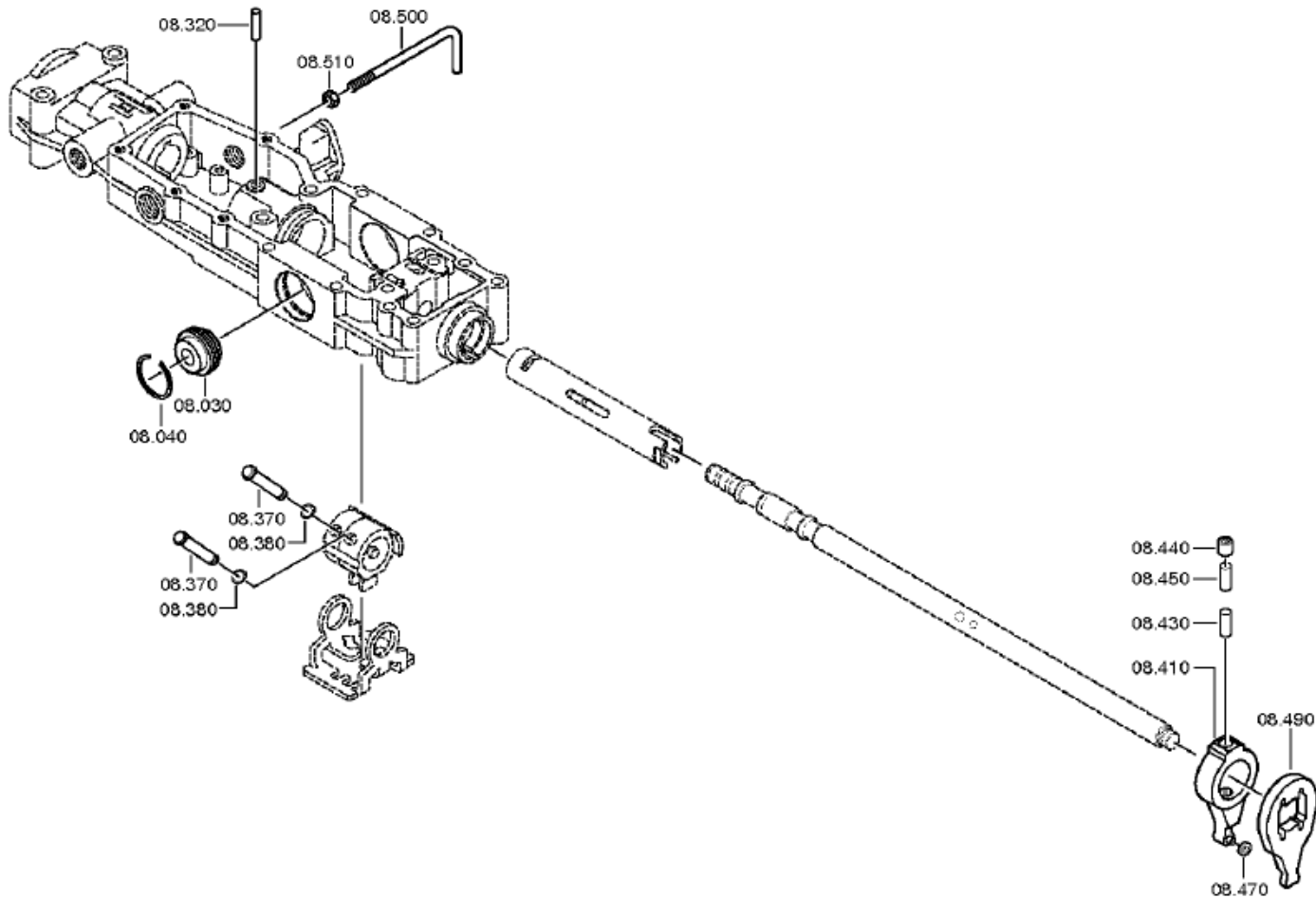
Pos.	Material number	Customer material	Name	Quantity	ME	Amend. no.	Techn. Info.	Weight	Rep kit	Alternative material
20	1315.206.076		GEAR SHIFT RAIL	1			1+2GANG*KURZ*WI	0,000		
40	1316.306.015	5 5342 0	SLIDING PAD	2				0,000		
60	1315.206.079		GEAR SHIFT RAIL	1			3+4GANG*KURZ*WI	0,000		
80	1316.306.015	5 5342 0	SLIDING PAD	2				0,000		
100	1315.206.083		GEAR SHIFT RAIL	1			R-GANG*KURZ*WI	0,000		
220	---		SCREW PLUG	1		Z00010111513	35N.M*DICHTRING M18X1,5	0,000		
---	0636.100.791		SCREW PLUG	1		Z00010111521	M18X1,5	0,000		
---	0634.801.062		SEALING RING	1		Z00010111521	18X24	0,001		
320	---		SCREW PLUG	1		Z00010111513	35N.M*DICHTRING M18X1,5	0,000		
---	0636.100.791		SCREW PLUG	1		Z00010111521	M18X1,5	0,000		
---	0634.801.062		SEALING RING	1		Z00010111521	18X24	0,001		

# Plant

Page 1 from 3

Material number: 1315.051.759  
Plate: 068.07.27-1  
GEAR SHIFT SHAFT

16 S 151 IT /  
GEAR SHIFT HOUSING



# Plant

Page 2 from 3

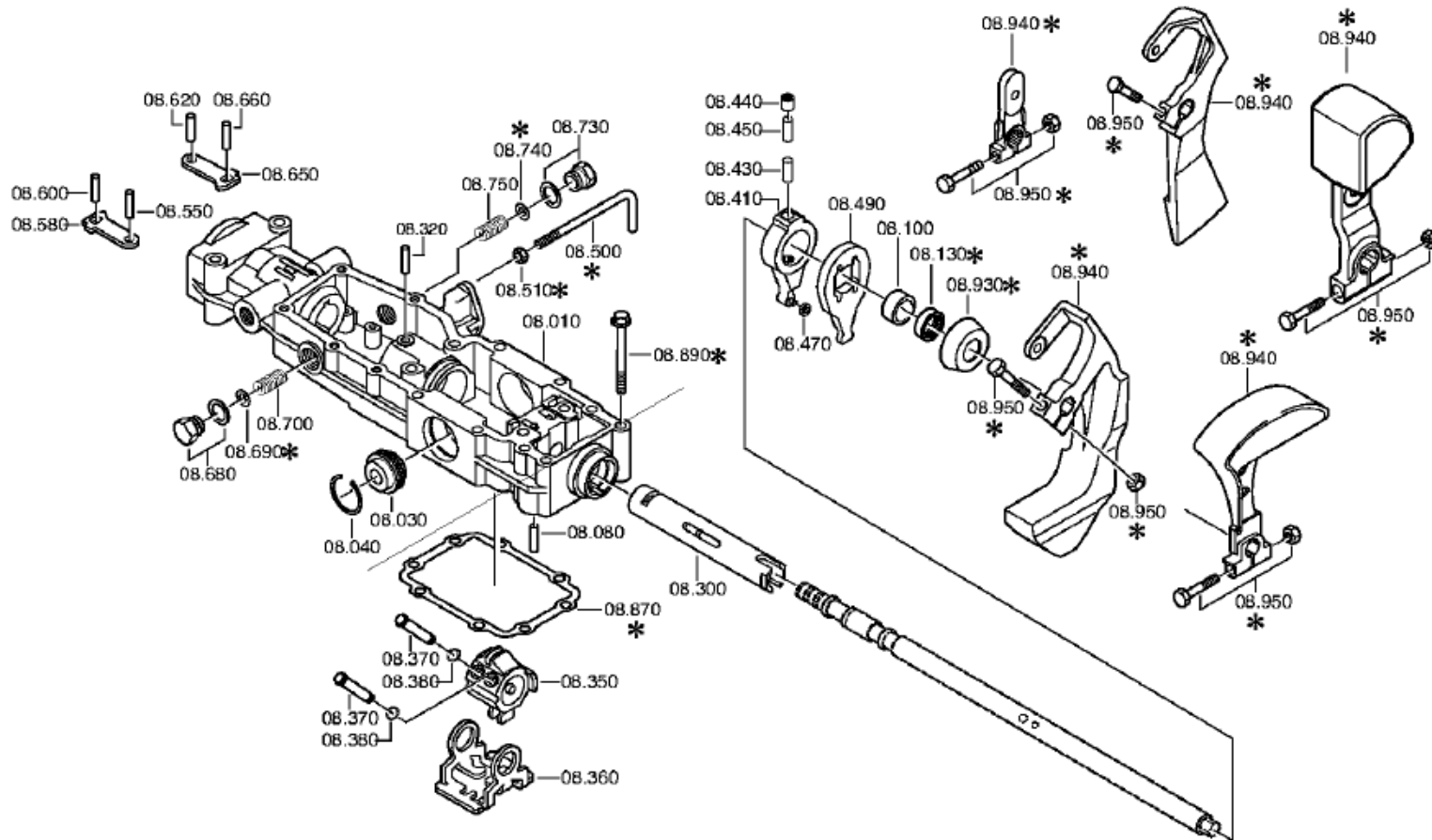
Material number: 1315.051.759

Plate: 068.07.31-1

GEAR SHIFT SHAFT

16 S 151 IT /

GEAR SHIFT HOUSING

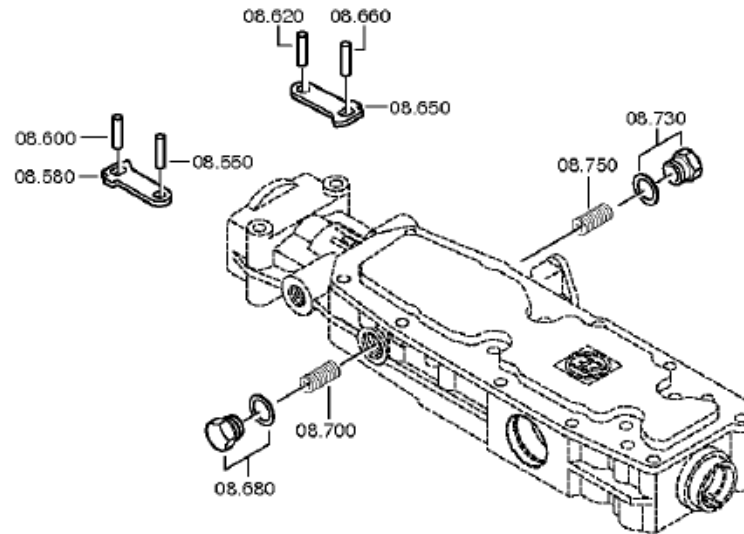


# Plant

Page 3 from 3

**Material number: 1315.051.759**  
**Plate: 068.07.56-1**  
**GEAR SHIFT SHAFT**

**16 S 151 IT /**  
**GEAR SHIFT HOUSING**



# Parts list

Page 1 from 2

Material number: 1315.051.759

16 S 151 IT /

Plate: 068.07.27-1

Material-assembly-group-no: 1316.108.824



Pos.	Material number	Customer material	Name	Quantity	ME	Amend. no.	Techn. Info.	Weight	Rep kit	Alternative material
10	1315.307.383		GEAR SHIFT HOUSING	1				0,000		
30	0501.209.212	5 5247 0	DETENT	1		Z00014271210	KPL.	0,000		
40	0630.532.130		V-RING	1		Z00014271210		0,000		
80	0631.306.123	190003901424	CYLINDRICAL PIN	1			8X24	10		
100	0730.260.703		BUSH	1			A=13,70	0,000		
130	0734.309.765		SHAFT SEAL	1		C01005906F10	28X42X11 FA.SKT	0,000		
300	1315.307.294		QUILL SHAFT	1			ENTHALT.IN 1315.307.293(1)	0,000		
320	0731.201.702		PIN	1		Z00014271210		0,000		
350	1315.307.735		DRIVER	1		Z00011746811		0,000		
360	1315.307.218		LOCKING PIECE	1				0,000		
370	1316.208.003		PIN	2		Z00014271210	KPL.	0,000		
380	0630.501.006	P0436202H	RETAINING RING	2		Z00014271210	10X1	0,410		
410	1316.208.002		VALVE LEVER	1		Z00014271210	KPL.	0,000		
430	0731.201.732		PIN	1		Z00014271210		0,000		
440	0635.303.019		NEEDLE BUSH	1		Z00014271210	10X14X15	0,000		
450	0731.201.732		PIN	1		Z00014271210		0,000		
470	1315.307.226	820-400-3340	ROLLER	1		Z00014271210		0,000		
490	1315.307.292		LEVER	1		Z00014271210		0,000		
500	1315.307.515		BRACKET	1		Z00009869410		0,000		
510	0637.006.280		HEXAGON NUT	1		Z00014271210	M8	0,000		
550	0631.306.832		CYLINDRICAL PIN	1			6X20	0,000		
580	1315.307.203		DETENT LEVER	1				0,000		
600	0631.306.832		CYLINDRICAL PIN	1			6X20	0,000		
620	0631.306.832		CYLINDRICAL PIN	1			6X20	0,000		
650	1315.307.203		DETENT LEVER	1				0,000		
660	0631.306.832		CYLINDRICAL PIN	1			6X20	0,000		
680	---		SCREW	1		Z00010146310	M22X1,5	0,000		
---	1315.307.736		SCREW	1		Z00010146312	M22X1,5	0,000		
---	0730.009.515		SEALING RING	1		Z00010146312	A22X27	0,000		
700	0732.041.612		COMPRESSION SPRING	1				0,000		
730	---		SCREW	1		Z00010146310	M22X1,5	0,000		
---	1315.307.736		SCREW	1		Z00010146312	M22X1,5	0,000		
---	0730.009.515		SEALING RING	1		Z00010146312	A22X27	0,000		

# Parts list

Page 2 from 2

Material number: 1315.051.759

16 S 151 IT /

Plate: 068.07.27-1

Material-assembly-group-no: 1316.108.824



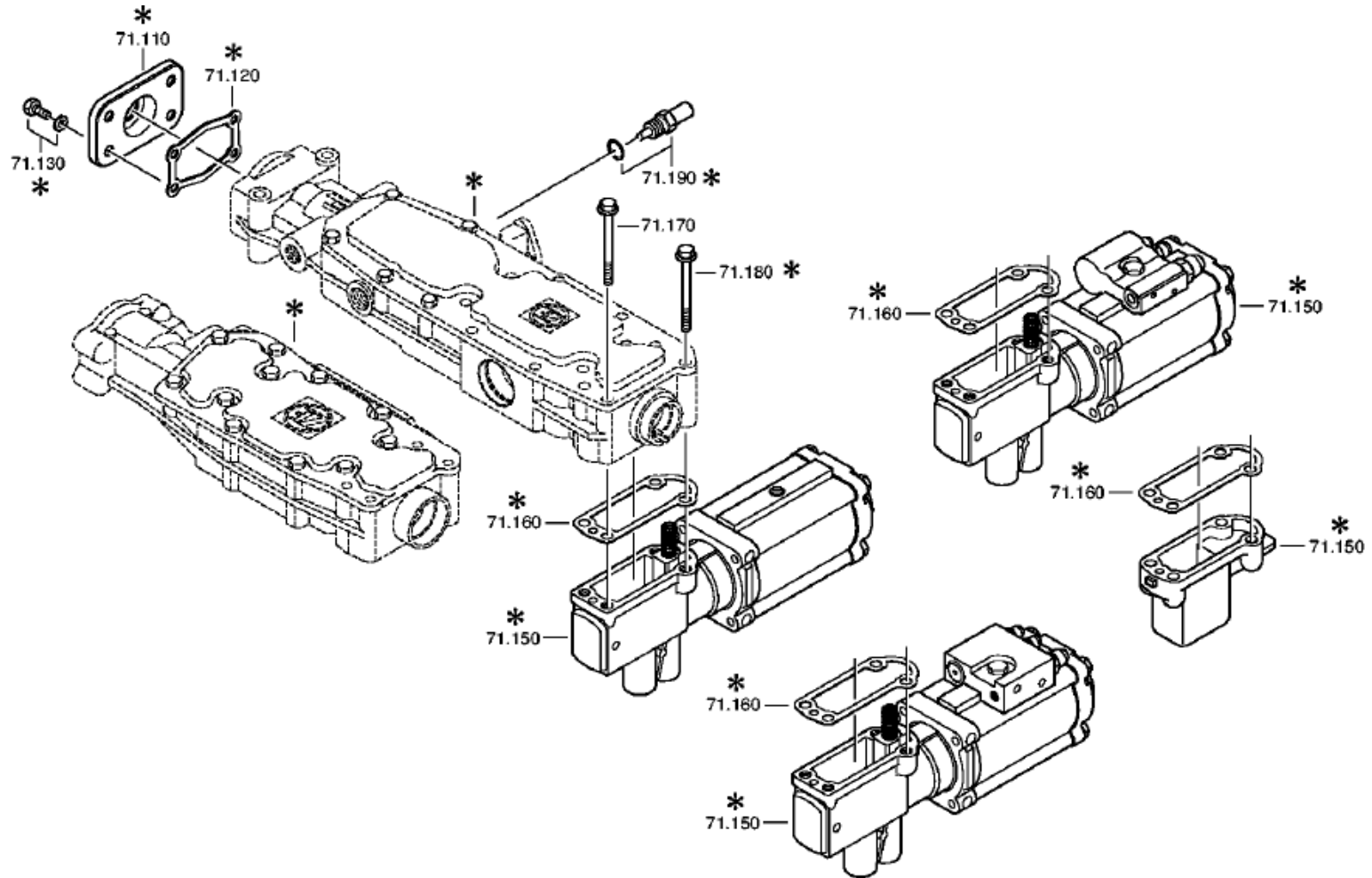
Pos.	Material number	Customer material	Name	Quantity	ME	Amend. no.	Techn. Info.	Weight	Rep kit	Alternative material
750	0732.041.612		COMPRESSION SPRING	1				0,000		
870	1315.307.013	133-138-1020	GASKET	1				0,000		
890	0736.300.137	1197869	HEXAGON SCREW	8		Z00009195410	M8X80 M8X80	0,000		
930	1341.307.104		PROTECTION CAP	1		C01007034F10		0,000		
940	1315.307.385		SHIFT LEVER	1		C01000588B10		0,000		
950	---		BOLT+NUT	1		Z00012297710	M10X65	0,000		
---	0636.100.713		HEXAGON SCREW	1		Z00007890810	M10X65	0,000		
---	0637.100.419		HEXAGON NUT	1		Z00007892710	M10	0,000		

# Plant

Page 1 from 3

Material number: 1315.051.759  
Plate: 062.08.30-1  
END COVER

16 S 151 IT /  
END COVER



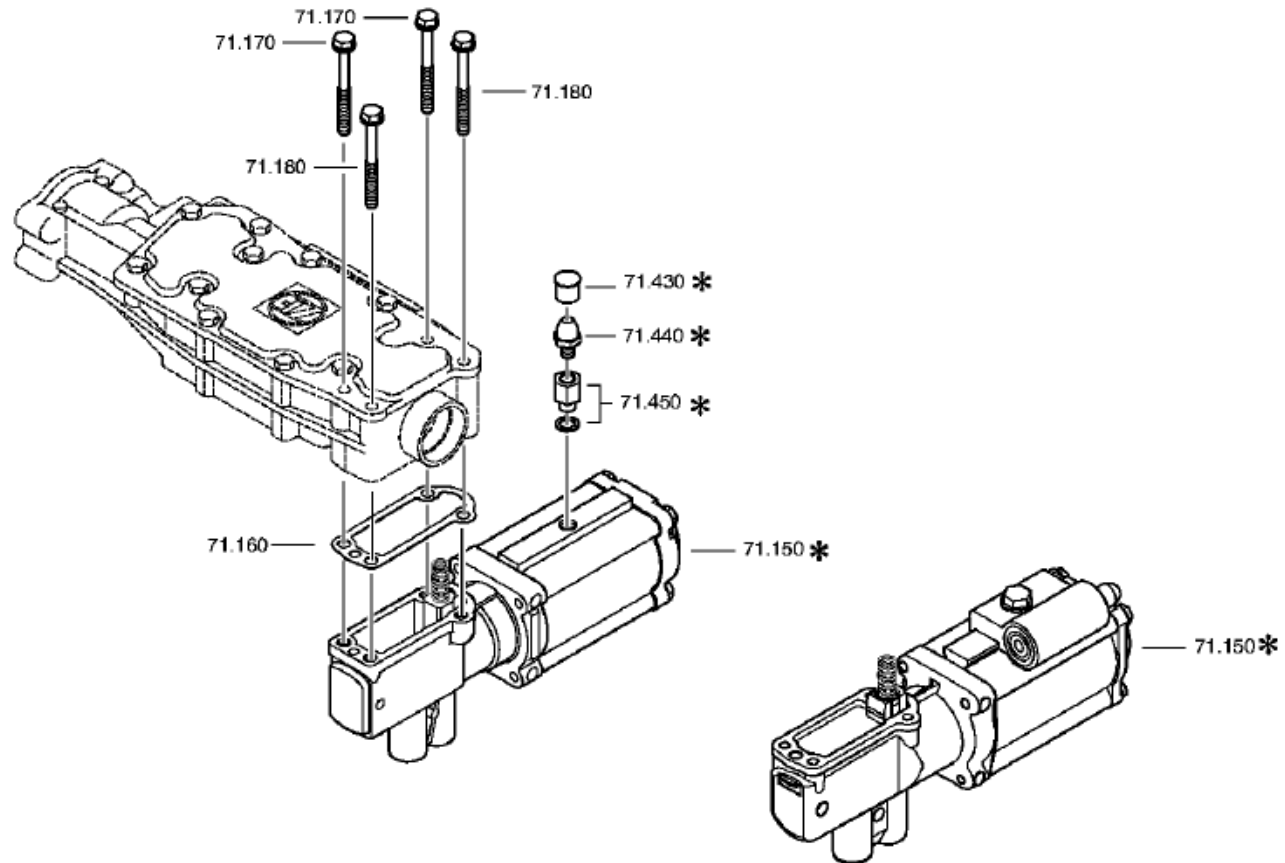


# Plant

Page 2 from 3

Material number: 1315.051.759  
Plate: 068.08.02-1  
END COVER

16 S 151 IT /  
END COVER

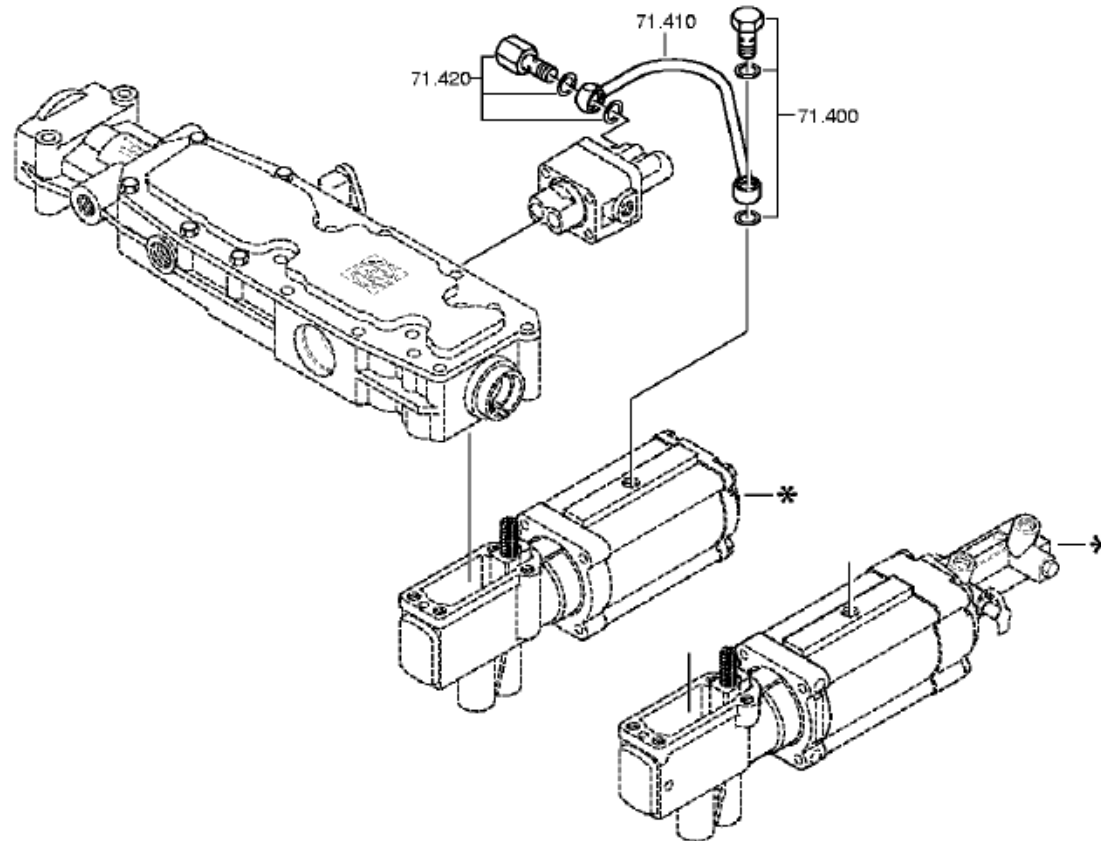


# Plant

Page 3 from 3

Material number: 1315.051.759  
Plate: 068.08.80-1  
END COVER

16 S 151 IT /  
END COVER



# Parts list

Page 1 from 1

Material number: 1315.051.759

16 S 151 IT /

Plate: 062.08.30-1

Material-assembly-group-no: 1316.171.403



Pos.	Material number	Customer material	Name	Quantity	ME	Amend. no.	Techn. Info.	Weight	Rep kit	Alternative material
110	1341.307.113		COVER	1		Z00009271410		0,000		
130	---		HEXAGON SCREW	4		Z00007891111	M8X20	0,000		
---	0636.100.796		HEXAGON SCREW	4		Z00007891120	M8X20	0,000		
---	0630.100.295		WASHER	4		Z00007158414		0,000		
150	0501.211.290	H0502806	PNEUMATIC SERVO UNIT	1			KPL.	0,000		
160	1315.307.242		GASKET	1				0,000		
170	0736.300.137	1197869	HEXAGON SCREW	2		Z00009195410	M8X80 M8X80	0,000		
180	---		HEXAGON SCREW	2		Z00009195410	M8X80	0,000		
---	0736.300.137	1197869	HEXAGON SCREW	2		Z00009195414	M8X80 M8X80	0,000		
400	---		UNION SCREW	1		Z00010274712		0,000		
---	0637.835.808	99946200	UNION SCREW	1		Z00013005810		0,000		
---	0634.801.331		SEALING RING	1		Z00010274715	12X18	0,000		
410	1316.209.001		TUBE	1			KPL.200MM*9X1,5*LA=G	0,000		
/110	0637.100.422		RING PIECE	1		Z00007956611		0,000		
/120	0632.704.034		TUBE	200			9X1,5	0,000		
/130	0637.100.422		RING PIECE	1		Z00007956611		0,000		
420	---		UNION SCREW	1		Z00010303010	M12X1,5	0,000		
---	0737.300.062	1947226	UNION SCREW	1		Z00010303012	M12X1,5	0,000		
---	0634.801.331		SEALING RING	1		Z00010303012	12X18	0,000		

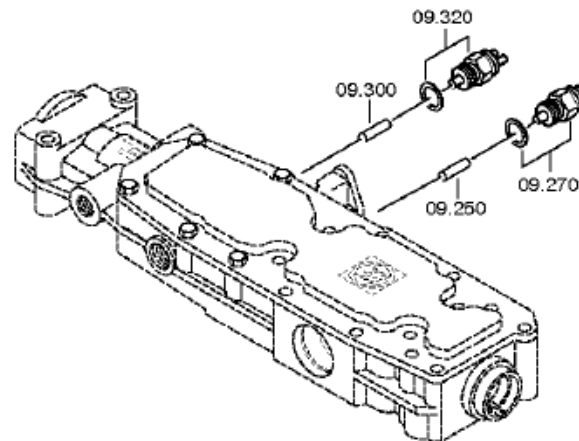


# Plant

Page 2 from 2

Material number: 1315.051.759  
Plate: 068.09.11-1  
CONNECTING PARTS

16 S 151 IT /  
CONNECTING PARTS



# Parts list

Page 1 from 1

Material number: 1315.051.759

16 S 151 IT /

Plate: 068.09.01-1

Material-assembly-group-no: 1316.109.022



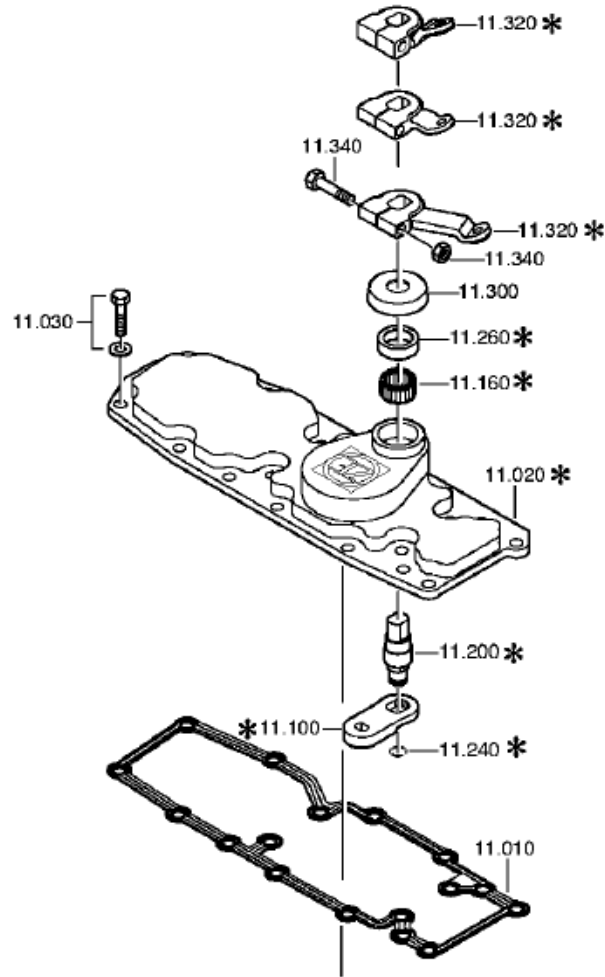
Pos.	Material number	Customer material	Name	Quantity	ME	Amend. no.	Techn. Info.	Weight	Rep kit	Alternative material
10	6038.202.043	5 6065 0	CUT-OFF VALVE	1		C01002143C10	KPL.H-H*ZULUFTDROSSEL 1,55	0,000		
30	0501.209.188	5 6102 0	BALL CASTER	1			KPL.	0,000		
50	0501.209.188	5 6102 0	BALL CASTER	1			KPL.	0,000		
70	0634.313.505		O-RING	1			42X3	0,000		
90	---		HEXAGON SCREW	4		Z00007054112	M8X65	0,000		
---	0636.100.519		HEXAGON SCREW	4		Z00007054110	M8X65	0,000		
---	0630.100.295		WASHER	4		Z00007158414		0,000		
150	---		SCREW	1		Z00010146310	M22X1,5	0,000		
---	1315.307.736		SCREW	1		Z00010146312	M22X1,5	0,000		
---	0730.009.515		SEALING RING	1		Z00010146312	A22X27	0,000		
160	1315.307.384		BOLT	1		C01003958B10	ENTHALT.IN 1250 307 589(2)	0,000		
170	0732.041.612		COMPRESSION SPRING	1				0,000		
250	0731.201.446		PIN	1			ENTHALT.IN 0731 201 445(2)	0,000		
270	---		SWITCH	1		Z00004287211	OEFF*45N.M*DICHTRING* BAJONETT*SCHUTZKAPPE	0,000		
---	0501.219.856	1946804	SWITCH	1			OEFFNER DIN BAJONETT	0,000		
---	0634.801.062		SEALING RING	1			18X24	0,001		
300	0731.208.256		PIN	1			A=30,0	0,000		
320	---		SWITCH	1		Z00004287211	SCHL*45N.M*DICHTRING* BAJONETT*SCHUTZKAPPE	0,000		
---	0501.210.058	5 6104 0	SWITCH	1			KPL.	0,000		
---	0634.801.062		SEALING RING	1			18X24	0,001		
---	0700.300.427		PROTECTION CAP	1				0,005		

# Plant

Page 1 from 2

Material number: 1315.051.759  
Plate: 068.10.02-1  
SELECTOR LEVER

16 S 151 IT /  
SELECTOR LEVER

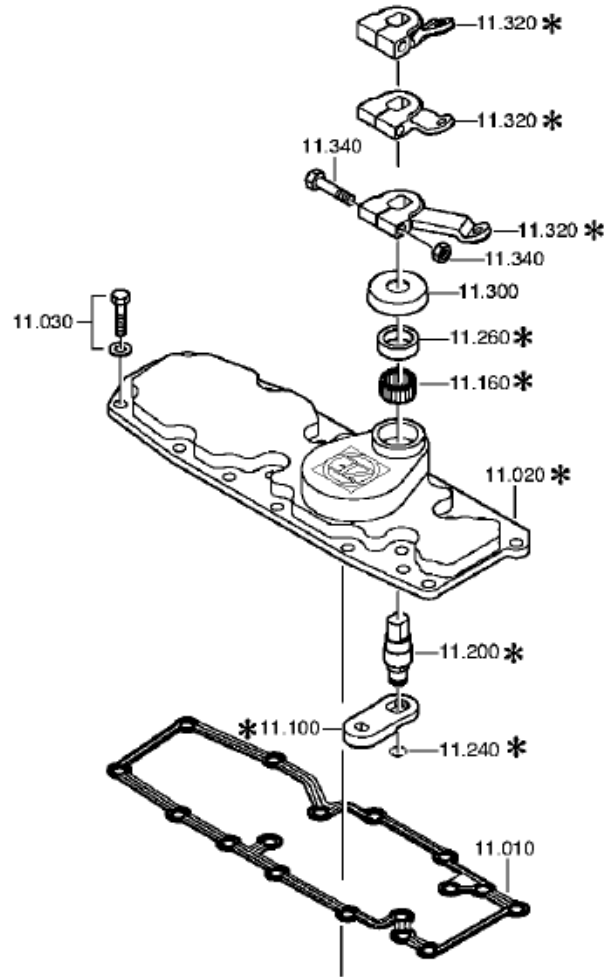


# Plant

Page 2 from 2

Material number: 1315.051.759  
Plate: 068.10.02-1  
SELECTOR LEVER

16 S 151 IT /  
SELECTOR LEVER





# Parts list

Page 1 from 1

Material number: 1315.051.759

16 S 151 IT /

Plate: 068.10.02-1

Material-assembly-group-no: 1316.111.802



Pos.	Material number	Customer material	Name	Quantity	ME	Amend. no.	Techn. Info.	Weight	Rep kit	Alternative material
10	0501.324.072		GASKET	1				0,000		
20	1315.307.336		COVER	1				0,000		
30	---		HEXAGON SCREW	5			M8X25	0,000		
---	0636.016.401		HEXAGON SCREW	5			M8X25	0,000		
---	0630.100.295		WASHER	5		Z00007158414		0,000		
100	1315.307.375		SELECTOR LEVER	1				0,000		
160	0635.303.007		NEEDLE SLEEVE	1			22X28X10	0,000		
200	1315.307.346		SELECTOR SHAFT	1				0,000		
240	0630.531.240		V-RING	1				0,000		
260	---		SHAFT SEAL	1			20X30X7	0,000		
---	0734.309.392		SHAFT SEAL	1			20X30X7 FA.CFW	0,000		
300	0501.324.645		PROTECTION CAP	1		Z00002098310		0,000		
320	1316.307.428		SELECTOR LEVER	1		Z00011099010	U584	0,000		
340	---		BOLT+NUT	1			M10X50	0,000		
---	0636.011.756	1880758	HEXAGON SCREW	1			M10X50	0,000		
---	0637.100.419		HEXAGON NUT	1		Z00007892710	M10	0,000		

# Plant

Page 1 from 1

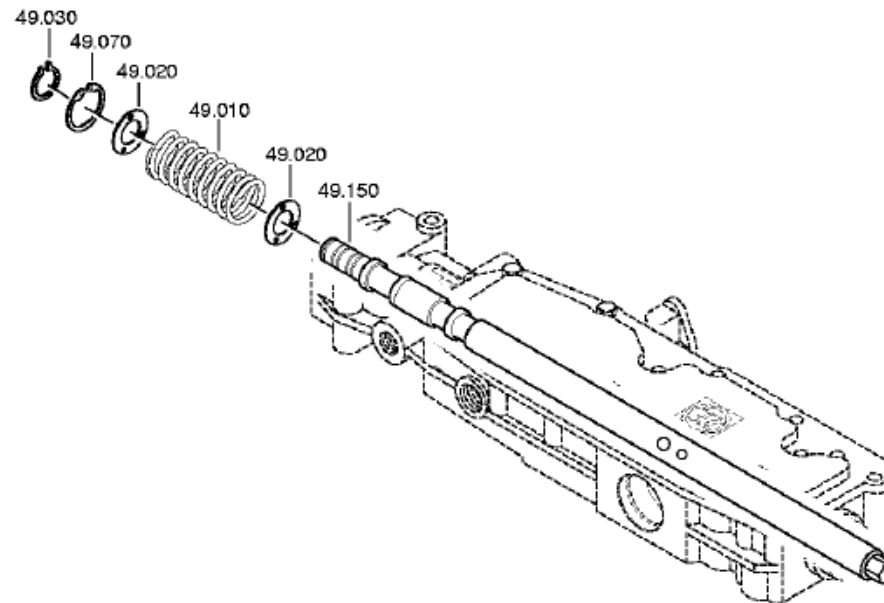
Material number: 1315.051.759

Plate: 068.12.12-1

Material-assembly-group-no: 1316.149.430

16 S 151 IT /

SET OF SPRINGS



# Parts list

Page 1 from 1

**Material number: 1315.051.759**

**16 S 151 IT /**

**Plate: 068.12.12-1**

**Material-assembly-group-no: 1316.149.430**



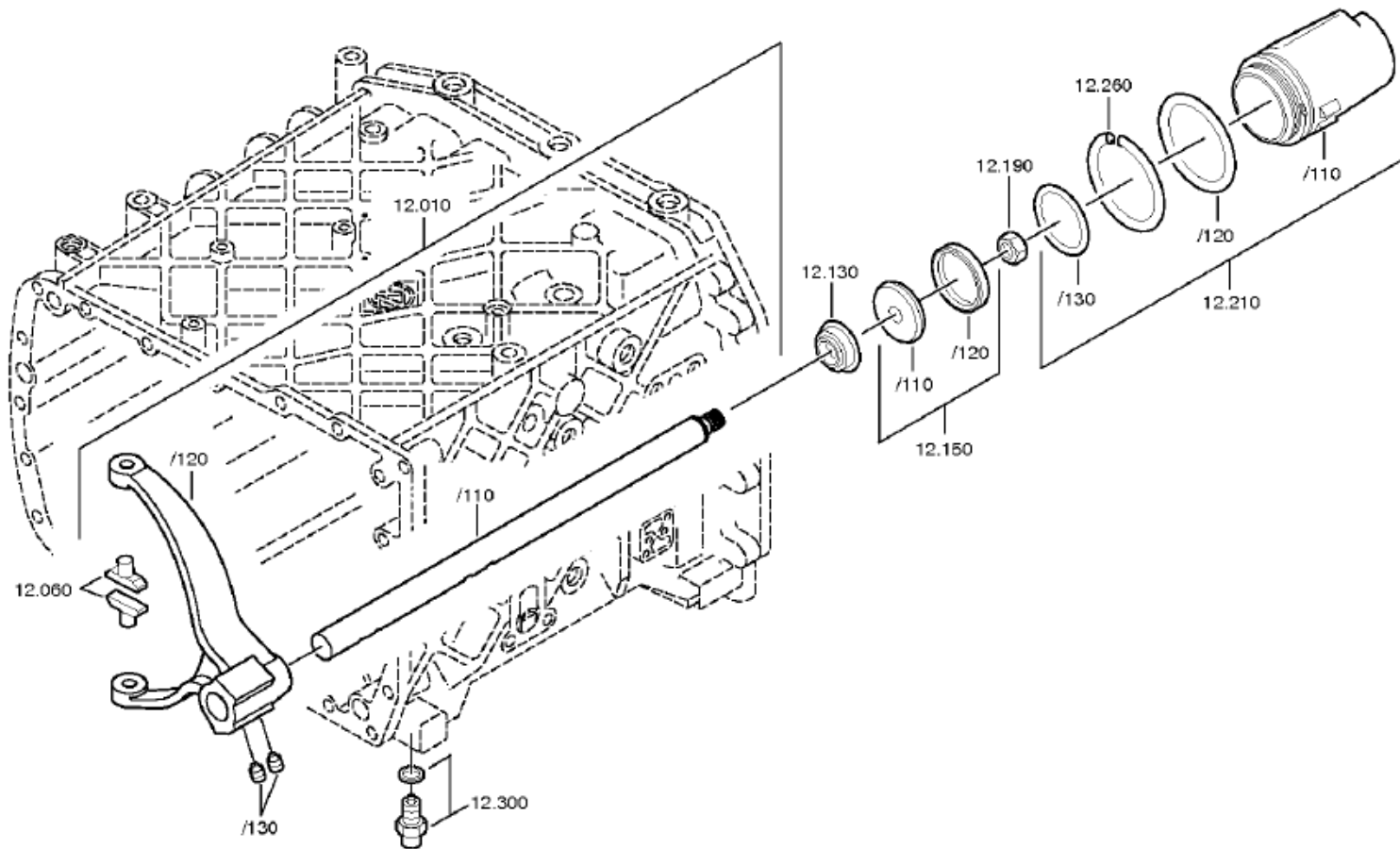
Pos.	Material number	Customer material	Name	Quantity	ME	Amend. no.	Techn. Info.	Weight	Rep kit	Alternative material
10	0732.042.684		COMPRESSION SPRING	1				0,000		
20	0730.301.376	1884285	WASHER	2		Z00008917410		0,000		
30	0630.532.138	5004143	V-RING	1				0,000		
70	0630.502.022		RETAINING RING	1			40X1,75	4,800		
150	1315.307.376		GEARSHIFT SHAFT	1			LI	0,000		

# Plant

Page 1 from 2

Material number: 1315.051.759  
Plate: 068.40.04-1  
GV-SHIFT SYSTEM

16 S 151 IT /  
GV-SHIFT SYSTEM

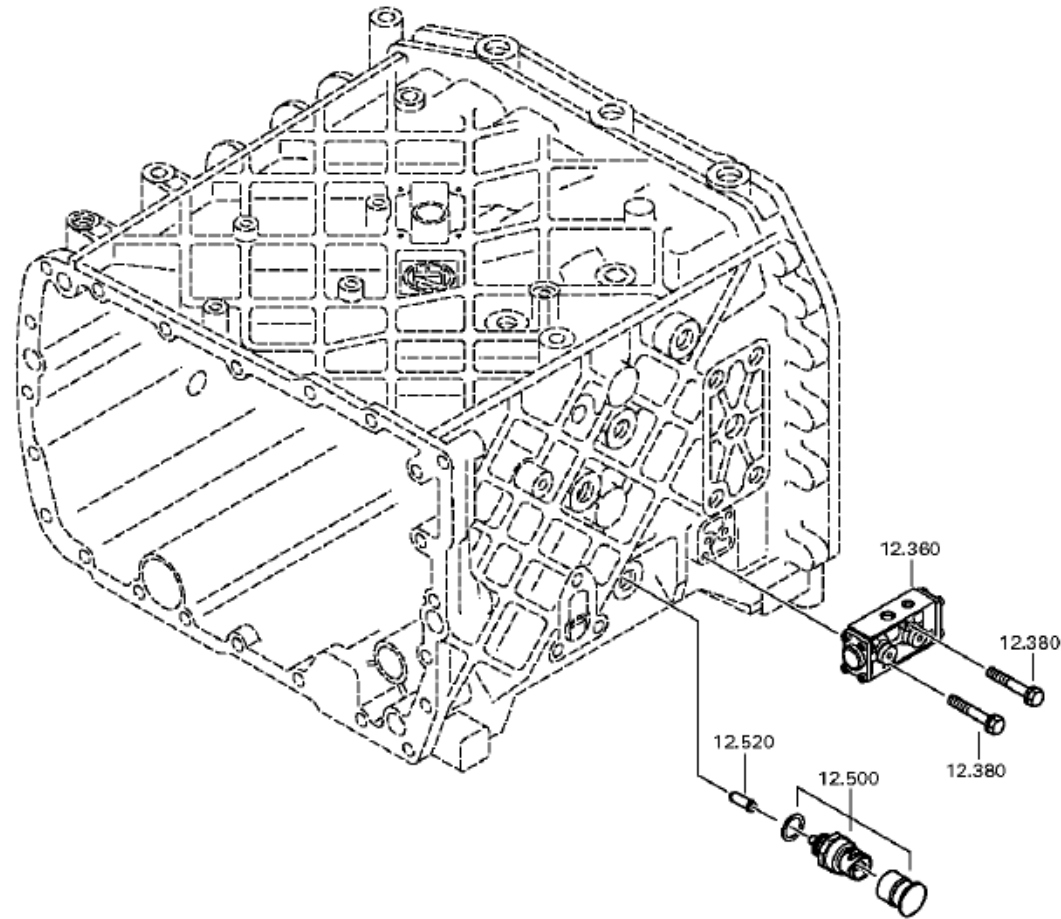


# Plant

Page 2 from 2

Material number: 1315.051.759  
Plate: 068.40.41-1  
GV-SHIFT SYSTEM

16 S 151 IT /  
GV-SHIFT SYSTEM



# Parts list

Page 1 from 1

Material number: 1315.051.759

16 S 151 IT /

Plate: 068.40.04-1

Material-assembly-group-no: 1315.112.014



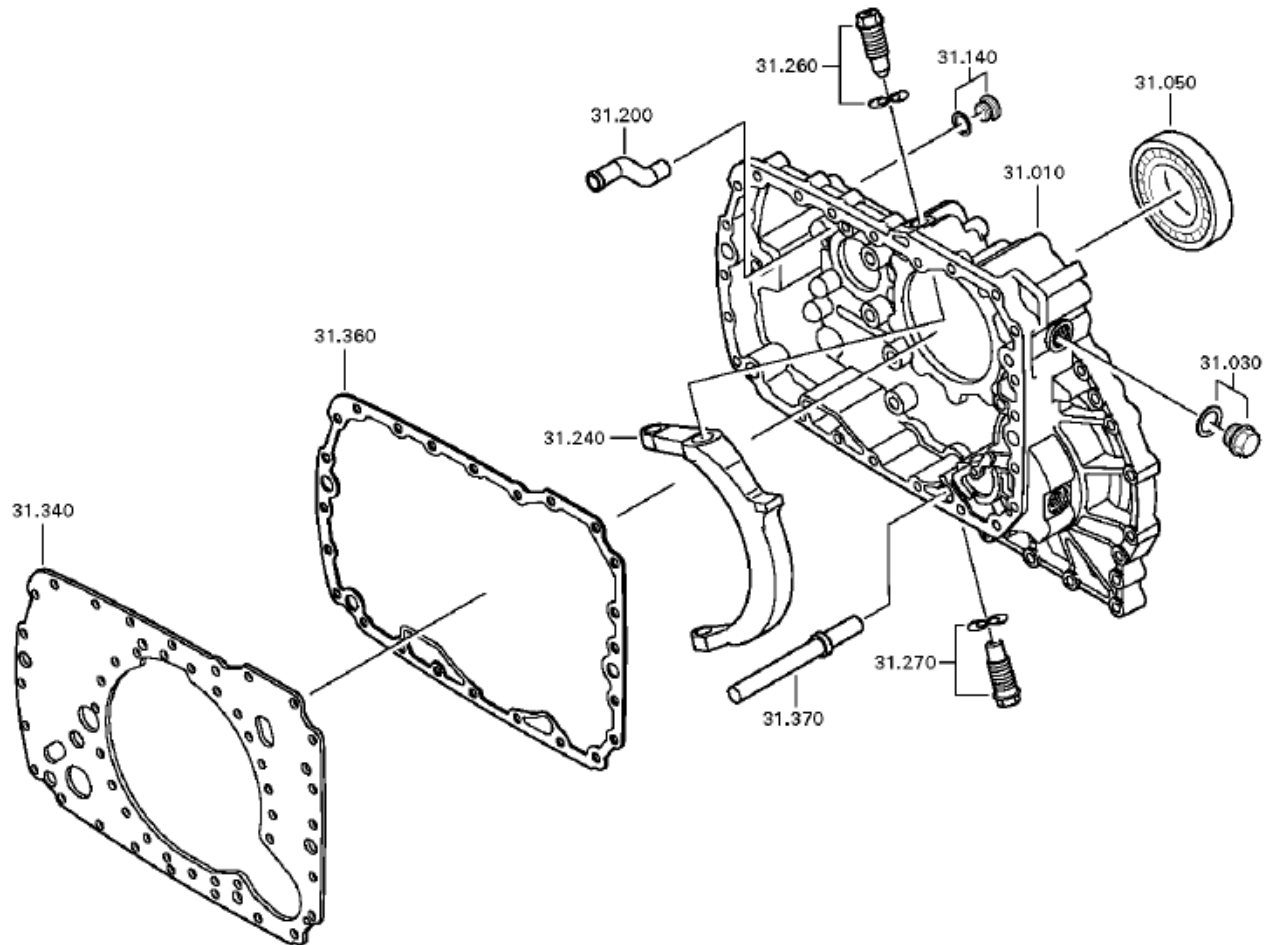
Pos.	Material number	Customer material	Name	Quantity	ME	Amend. no.	Techn. Info.	Weight	Rep kit	Alternative material
10	1315.212.013		GEAR SHIFT RAIL	1			KPL.GV.LAG.GEH.1	0,000		
/110	1315.312.073		GEAR SHIFT RAIL	1				0,000		
/120	1315.312.074		GEAR SHIFT FORK	1			GV ECO 3	0,000		
/130	1315.312.047	42172912	SET SCREW	2			M12X1	0,000		
60	1316.306.015	5 5342 0	SLIDING PAD	2				0,000		
130	0750.112.131	8 8342 0	FLANGE PACKING	1		Z00003588010	25X40X15	0,000		
150	1315.212.008	1831971	PISTON	1			KPL.	0,000		
/110	---		PISTON	1			GV SINTER/STAHL	0,000		
---	1315.312.020		PISTON	1			GV	0,000		
---	1315.312.003		PISTON	1			GV	0,000		
/120	0750.112.177	8 8697 0	DOUBLE U-PACKING	1			55X63X9,4	0,000		
190	0737.300.037		LOCKING NUT	1			MS16X1,5	0,000		
210	1315.212.010		CYLINDER	1			KPL.	0,000		
/110	1315.312.048	5 5336 0	CYLINDER	1			ENTHALT.IN 1315 312 033(1)	0,000		
/120	0634.313.018		O-RING	1			82X3	0,000		
/130	0634.313.320	8 8327 0	O-RING	1			67X3	0,003		
260	1315.312.034		SPRING	1				0,000		
300	---		DETENT PLUNGER	1			235N*50N.M	0,000		
---	1324.207.033	H0472564	DETENT PLUNGER	1			KPL. *235 N	0,000		
---	0730.008.604		SEALING RING	1		C01009860C10		0,000		
360	0501.219.310		5/2 WAY VALVE	1		Z00015060511		0,000		
380	---		HEXAGON SCREW	2			M6X40	0,000		
---	0636.010.740		HEXAGON SCREW	2			M6X40	0,000		
---	0630.001.139	S0643476	WASHER	2		Z00007164311		0,000		
500	---		SWITCH	1		Z00004287211	OEFF*45N.M*DICHTRING* BAJONETT*SCHUTZKAPPE	0,000		
---	0501.219.856	1946804	SWITCH	1			OEFFNER DIN BAJONETT	0,000		
---	0634.801.062		SEALING RING	1			18X24	0,001		
520	1295.212.006		PIN	1			KPL.	0,000		

# Plant

Page 1 from 4

Material number: 1315.051.759  
Plate: 068.43.01-1  
RC HOUSING

16 S 151 IT /  
RC HOUSING

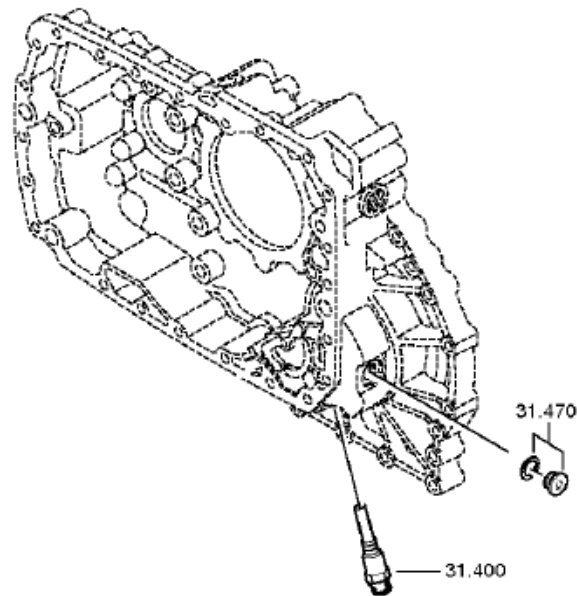


# Plant

Page 2 from 4

**Material number: 1315.051.759**  
**Plate: 068.43.41-1**  
**RC HOUSING**

**16 S 151 IT /**  
**RC HOUSING**



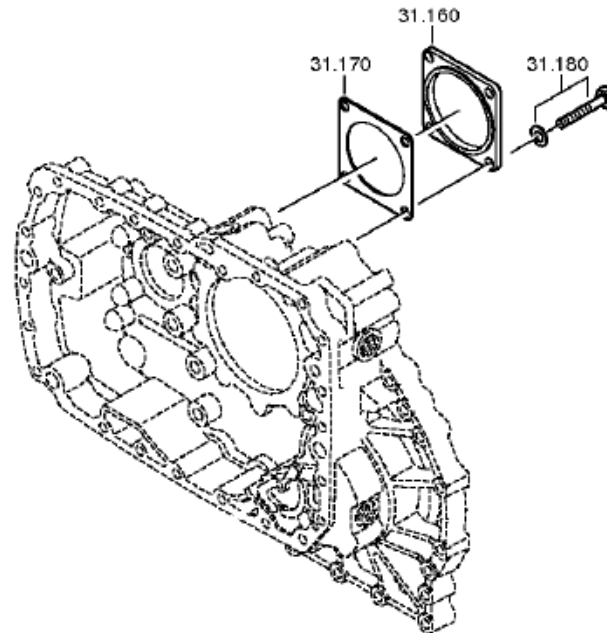


# Plant

Page 3 from 4

**Material number: 1315.051.759**  
**Plate: 068.43.42-1**  
**RC HOUSING**

**16 S 151 IT /**  
**RC HOUSING**

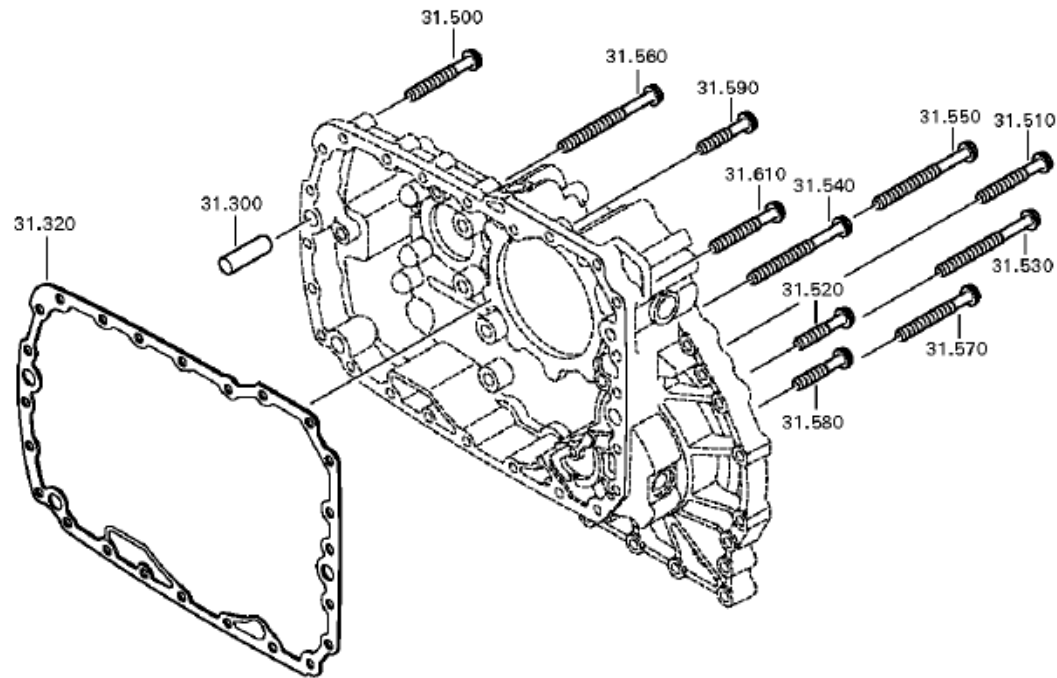


# Plant

Page 4 from 4

Material number: 1315.051.759  
Plate: 068.43.81-1  
RC HOUSING

16 S 151 IT /  
RC HOUSING



# Parts list

Page 1 from 2

Material number: 1315.051.759

16 S 151 IT /

Plate: 068.43.01-1

Material-assembly-group-no: 1315.131.038



Pos.	Material number	Customer material	Name	Quantity	ME	Amend. no.	Techn. Info.	Weight	Rep kit	Alternative material
10	6085.201.079		HOUSING	1		C01007191D10	KPL.	0,000		
30	---		SCREW PLUG	1		Z00010112111	60N.M*DICHTRING M24X1,5	0,000		
---	0636.304.088		SCREW PLUG	1		Z00010112110	M24X1,5	0,000		
---	0730.008.637		SEALING RING	1		Z00010112110	24X29	0,000		
50	0750.116.394	5 8092 0	BALL BEARING	1		C01000276D10	90,0X160,0X30,0	0,000		
140	---		SCREW PLUG	1		C01004359F10	15N.M*DICHTRING M10X1	0,000		
---	0636.100.793		SCREW PLUG	1		Z00010111613	M10X1	0,000		
---	0730.008.055		SEALING RING	1			10X14	0,000		
160	1328.301.170	1878388	COVER	1		Z00008068010		0,000		
170	1238.308.201	5006880	GASKET	1			ENTHALT.IN 1238 308 202(2)	0,000		
180	---		HEXAGON SCREW	4		Z00007061014	M12X25	0,000		
---	0636.016.406		HEXAGON SCREW	4		Z00007061018	M12X25	0,000		
---	0630.100.284		WASHER	4		Z00007158217		0,000		
200	1296.301.008	70561090	SPRAY TUBE	1				0,000		
240	1315.334.039		GEARSHIFT FORK	1				0,000		
260	---		SWIVEL SCREW	1		Z00004075611	O.SCHEIBE M24X1,5 SK6	0,000		
---	1315.334.074	1877888	SWIVEL SCREW	1		Z00004075610		0,000		
270	---		SWIVEL SCREW	1			SEK-RET UNTEN M24X1,5 SK6	0,000		
---	1315.334.075		SWIVEL SCREW	1		Z00004075612		0,000		
300	0731.201.563		CYLINDRICAL PIN	3				0,000		
320	1316.301.053	H1183558	GASKET	1				0,000		
340	1315.301.118	H0166247	INTERMEDIATE PLATE	1			ENTHALT.IN 1315 301 144(0)	0,000		
360	1316.301.053	H1183558	GASKET	1				0,000		
370	1315.201.116		TUBE	1			KPL. IN 1316 201 105(1)	0,000		
400	---		PULSE SENSOR	1		Z00004287211	L=19,8*35N.M*FLAE. DICHTG*SCHUTZKAPPE	0,000		
---	0501.208.791	11025310011	PULSE SENSOR	1		Z00004287210		0,100		

# Parts list

Page 2 from 2

Material number: 1315.051.759

16 S 151 IT /

Plate: 068.43.01-1

Material-assembly-group-no: 1315.131.038



Pos.	Material number	Customer material	Name	Quantity	ME	Amend. no.	Techn. Info.	Weight	Rep kit	Alternative material
470	---		SCREW PLUG	1			35N.M*DICHTRING* FLAECHENDICHTG. M18X1,5	0,000		
---	0636.100.791		SCREW PLUG	1		Z00010111513	M18X1,5	0,000		
---	0634.801.155	1000000310	SEALING RING	1			18X24	2		
500	0736.300.123	1880233	HEXAGON SCREW	11			M10X70 M10X70	0,000		
510	0736.300.123	1880233	HEXAGON SCREW	1			M10X70 M10X70	0,000		
520	0736.300.134		HEXAGON SCREW	1		Z00009404310	M10X45 M10X45	0,000		
530	0736.300.122		HEXAGON SCREW	1		Z00009403110	M10X110 M10X110	0,000		
540	0736.300.122		HEXAGON SCREW	2		Z00009403110	M10X110 M10X110	0,000		
550	0736.300.122		HEXAGON SCREW	1		Z00009403110	M10X110 M10X110	0,000		
560	0736.300.122		HEXAGON SCREW	2		Z00009403110	M10X110 M10X110	0,000		
570	---		HEXAGON SCREW	1		Z00006835210	M10X70	0,000		
---	0736.300.123	1880233	HEXAGON SCREW	1			M10X70 M10X70	0,000		
---	0666.690.215		JOINTING COMPOUND	1		Z00006835211		0,000		
580	0736.300.134		HEXAGON SCREW	1		Z00009404310	M10X45 M10X45	0,000		
590	0736.300.134		HEXAGON SCREW	1		Z00009404310	M10X45 M10X45	0,000		
610	0736.300.123	1880233	HEXAGON SCREW	1			M10X70 M10X70	0,000		

# Plant

Page 1 from 1

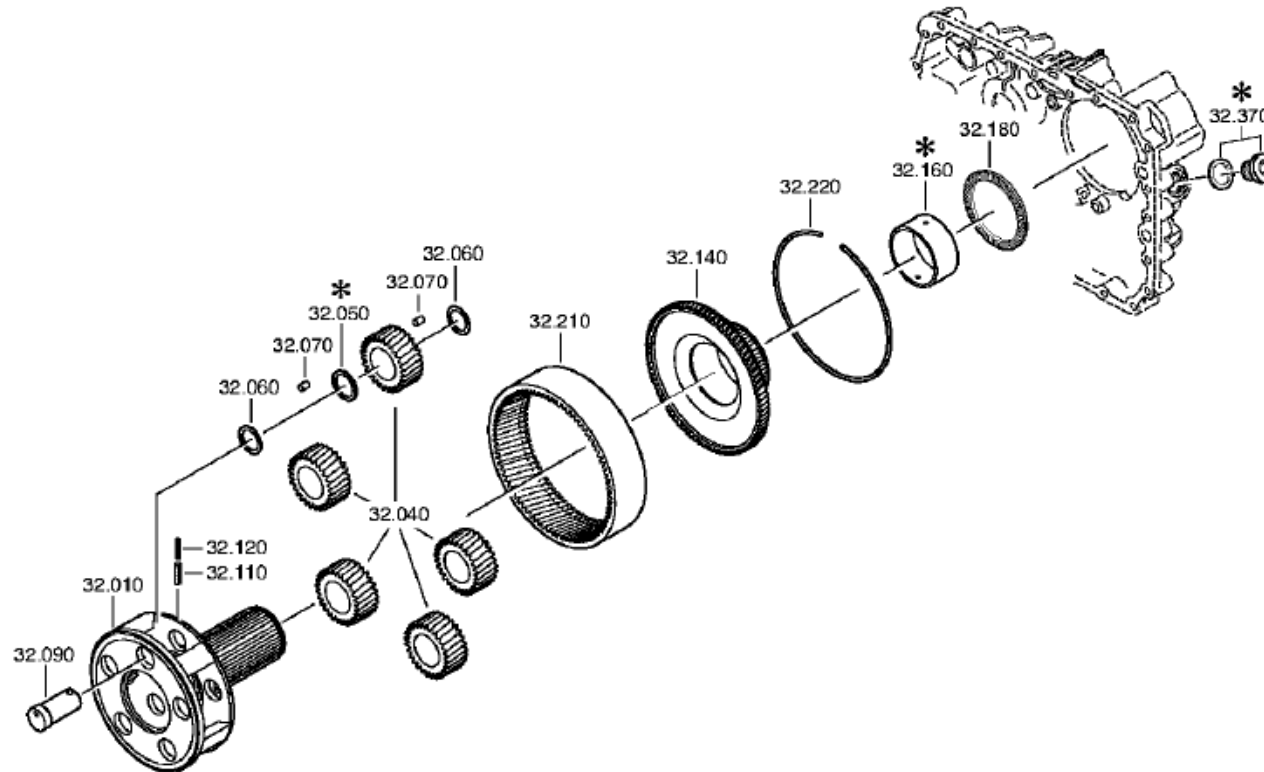
Material number: 1315.051.759

Plate: 068.44.07-1

Material-assembly-group-no: 1315.132.016

16 S 151 IT /

PLANETARY DRIVE



# Parts list

Page 1 from 1

Material number: 1315.051.759

16 S 151 IT /

Plate: 068.44.07-1

Material-assembly-group-no: 1315.132.016



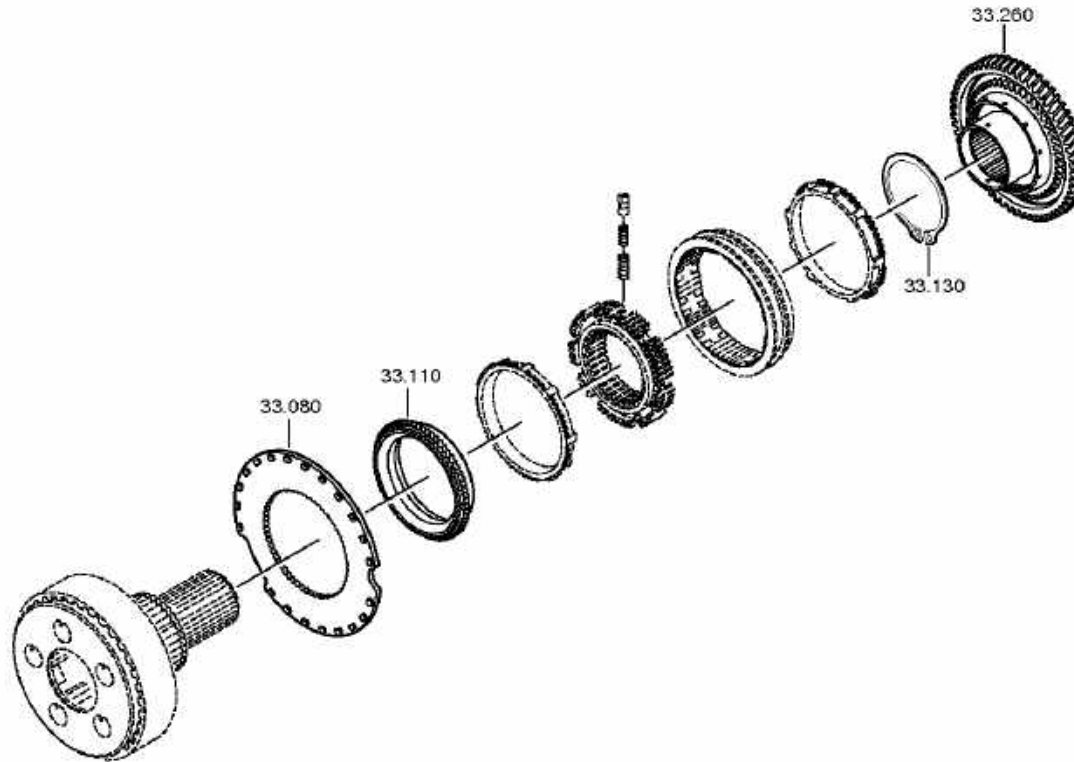
Pos.	Material number	Customer material	Name	Quantity	ME	Amend. no.	Techn. Info.	Weight	Rep kit	Alternative material
10	1315.232.027		PLANET CARRIER	1		Z00014438011		0,000		
40	1315.232.010	5 5353 0	PLANET GEAR SET	1			KPL.	0,000		
60	0730.107.168		INTERMEDIATE WASHER	15			A=1,00 IN 0730 105 951(2)	0,000		
70	0750.119.116	42140312	ROLLER	140			10,0X16,8	0,010		
90	1315.332.091		PLANET SHAFT	5		Z00014438011		0,000		
110	0631.329.147		SLOTTED PIN	5		Z00014438011	6X26	0,000		
120	0631.329.261		SLOTTED PIN	5			3,5X26	0,000		
140	1316.332.130		RING GEAR CARRIER	1				0,000		
180	0735.298.169	5 8159 0	AXIAL NEEDLE BEARING	1			104,5X128,4X10,0 FA.INA	0,000		
210	1315.332.041	5 5867 0	RING GEAR	1			IN 1316 332 055(1)	0,000		
220	0730.513.583		LOCKING WIRE	1			A=3,20 IN 0730 505 052(2)	0,000		

# Plant

Page 1 from 2

Material number: 1315.051.759  
Plate: 068.45.03-1  
SYNCHRONIZER

16 S 151 IT /  
SYNCHRONIZER

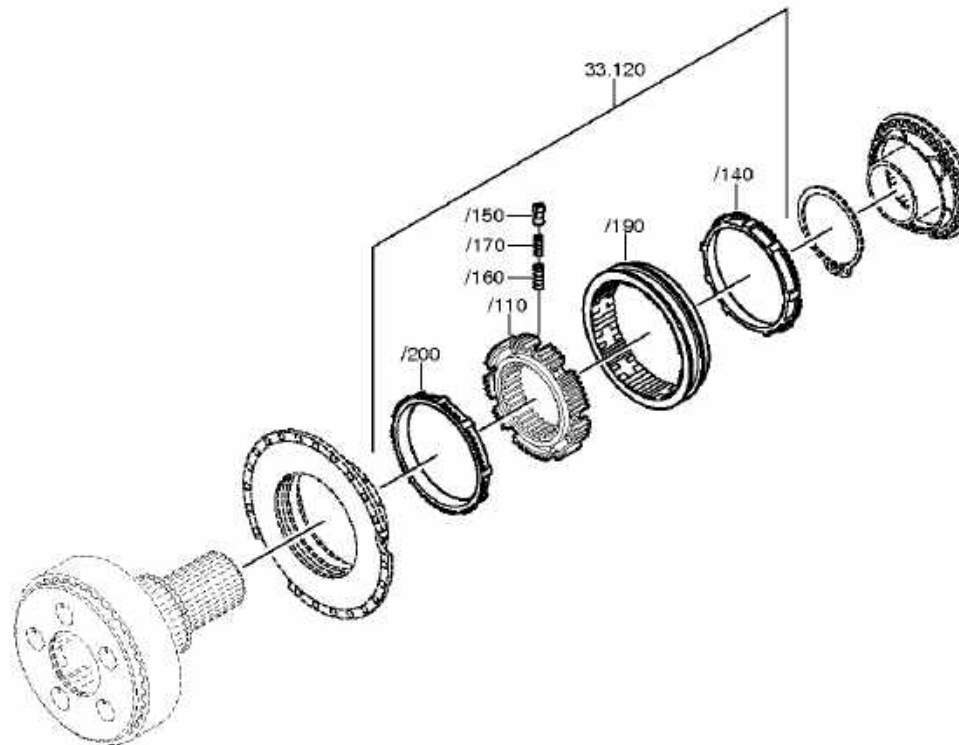


# Plant

Page 2 from 2

Material number: 1315.051.759  
Plate: 068.45.40-1  
SYNCHRONIZER

16 S 151 IT /  
SYNCHRONIZER





# Parts list

Page 1 from 1

Material number: 1315.051.759

16 S 151 IT /

Plate: 068.45.03-1

Material-assembly-group-no: 1316.133.010



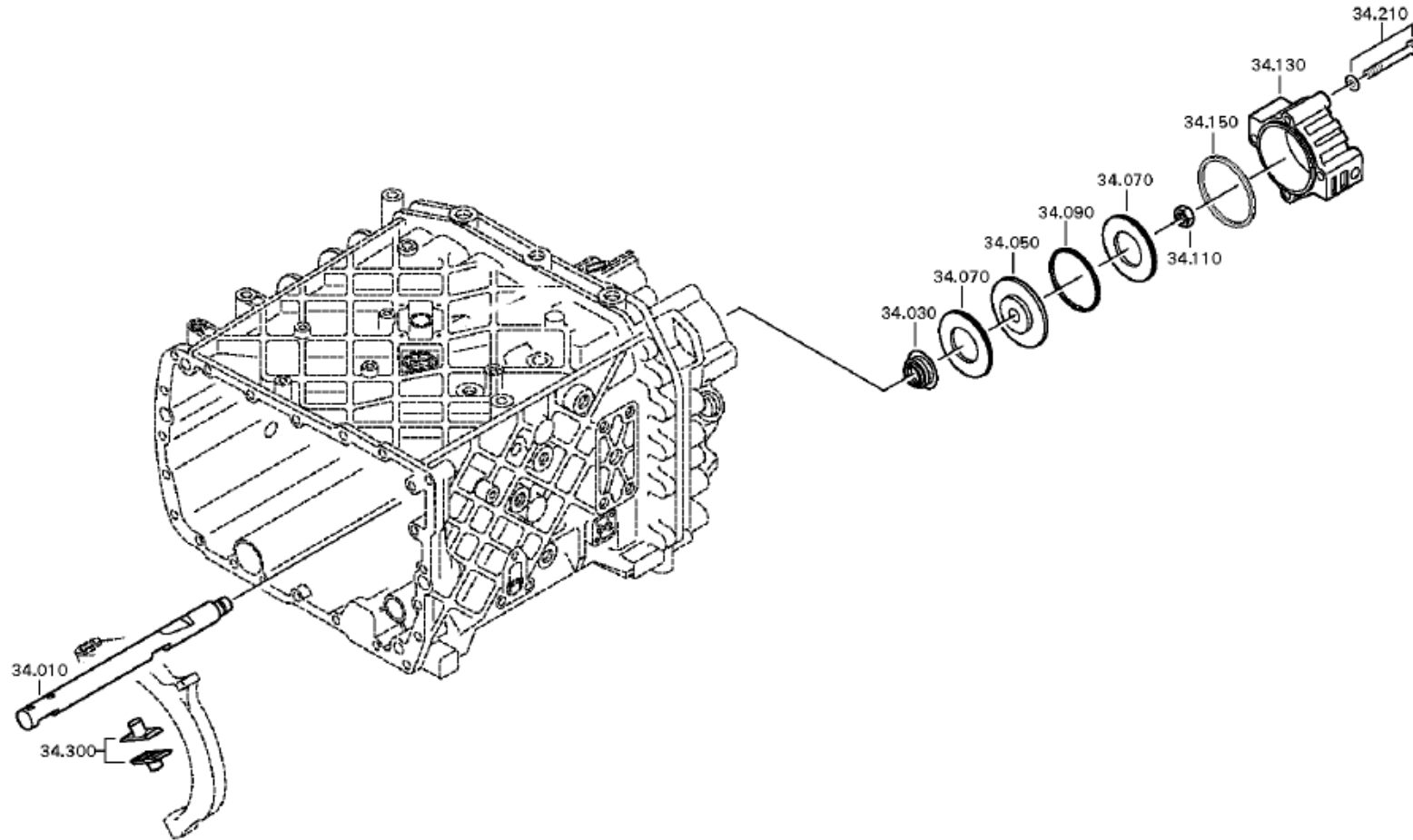
Pos.	Material number	Customer material	Name	Quantity	ME	Amend. no.	Techn. Info.	Weight	Rep kit	Alternative material
80	1296.333.046		CLUTCH DISC	1			ENTHALT.IN 1296 333 051(1)	0,000		
110	1296.333.050	5 5302 0	CLUTCH BODY	1		C01002627A10	ENTHALT.IN 1296.333. 053(1)	0,000		
120	1316.233.022		SYNCHRONIZER	1			KPL.PROFIL 80GV-GP 90SV-GP	0,000		
/110	1313.333.001		SYNCHROBODY	1			ENTHALT.IN 1296 333 014(1)	0,000		
/140	1296.333.045	5 5301 0	SYNCHRORING	1				0,000		
/150	1240.304.278	3362640239	PRESSURE PART	9				0,000		
/160	0732.040.385	3362640693	COMPRESSION SPRING	9				0,000		
/170	0732.040.386	3362640793	COMPRESSION SPRING	9				0,000		
/190	1316.333.034		SLIDING SLEEVE	1		C01007317F10	ZF-B 165/74 GP	0,000		
/200	1296.333.045	5 5301 0	SYNCHRORING	1				0,000		
130	0630.501.175	0692274	RETAINING RING	1		Z00006943010	125X3,7	0,000		
260	1316.233.028		CLUTCH BODY	1			KPL. ZF-B 165/74	0,000		

# Plant

Page 1 from 2

Material number: 1315.051.759  
Plate: 068.46.03-1  
GP SHIFT SYSTEM

16 S 151 IT /  
GP SHIFT SYSTEM

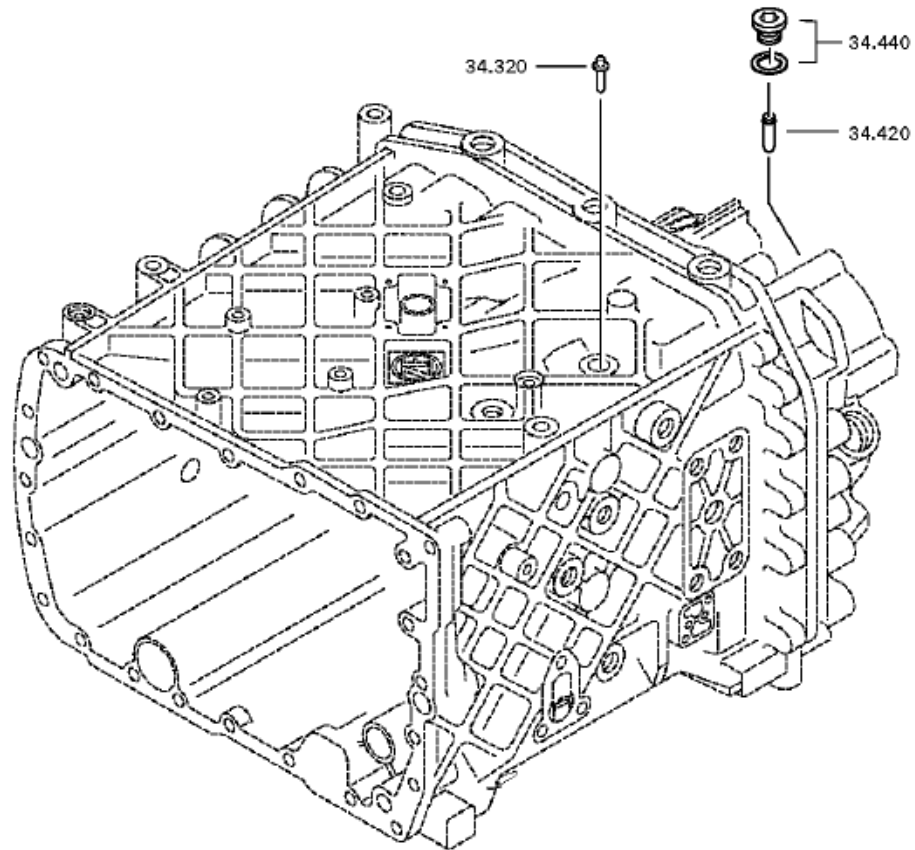


# Plant

Page 2 from 2

**Material number: 1315.051.759**  
**Plate: 068.46.41-1**  
**GP SHIFT SYSTEM**

**16 S 151 IT /**  
**GP SHIFT SYSTEM**



# Parts list

Page 1 from 1

Material number: 1315.051.759

16 S 151 IT /

Plate: 068.46.03-1

Material-assembly-group-no: 1315.134.015



Pos.	Material number	Customer material	Name	Quantity	ME	Amend. no.	Techn. Info.	Weight	Rep kit	Alternative material
10	1315.334.071		GEAR SHIFT RAIL	1				0,000		
30	0750.112.253	5 8342 0	FLANGE PACKING	1			25X40X15	0,000		
50	---		PISTON	1			GP	0,000		
---	1315.334.034		PISTON	1			ENTHALT.IN 1315 334 040(2)	0,000		
---	1315.334.063		PISTON	1				0,000		
70	0734.307.294	5 8400 0	SEALING RING	2			49X91X7,4 FA.KACO	0,000		
90	0750.112.066	5 5131 0	GUIDE RING	1				0,000		
110	0737.300.037		LOCKING NUT	1			MS16X1,5	0,000		
130	1315.334.069	5 5836 0	CYLINDER	1				0,000		
150	0501.317.536	5 6096 0	PROFILE SEALING RING	1				0,000		
210	---		HEXAGON SCREW	4		Z00007349210	M10X90	0,000		
---	0636.015.688		HEXAGON SCREW	4		Z00007349212	M10X90	0,000		
---	0630.100.294		WASHER	4		Z00007158111		0,000		
300	1296.334.004	5 5174 0	SLIDING PAD	2				0,000		
320	---		DETENT PLUNGER	1			145N*50N.M	0,000		
---	1324.207.035	H0472239	DETENT PLUNGER	1			KPL. *145 N	0,000		
---	0730.008.604		SEALING RING	1				0,000		
420	1295.212.006		PIN	1			KPL.	0,000		
440	---		SCREW PLUG	1		Z00010111513	35N.M*DICHTRING M18X1,5	0,000		
---	0636.100.791		SCREW PLUG	1		Z00010111521	M18X1,5	0,000		
---	0634.801.062		SEALING RING	1		Z00010111521	18X24	0,001		

# Plant

Page 1 from 1

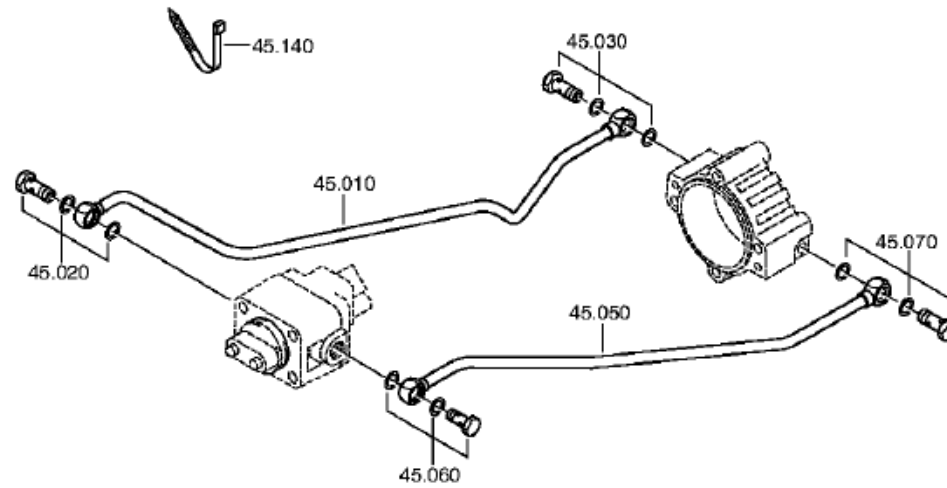
Material number: 1315.051.759

Plate: 068.57.04-1

Material-assembly-group-no: 1315.145.004

16 S 151 IT /

RANGE SELECTION



# Parts list

Page 1 from 1

Material number: 1315.051.759

16 S 151 IT /

Plate: 068.57.04-1

Material-assembly-group-no: 1315.145.004



Pos.	Material number	Customer material	Name	Quantity	ME	Amend. no.	Techn. Info.	Weight	Rep kit	Alternative material
10	1315.245.016		TUBE	1		C01003833B10	KPL.GP RE*L=515MM* 12X1,5	0,000		
20	---		UNION SCREW	1		Z00010274511	M14X1,5	0,000		
---	0737.300.061		UNION SCREW	1		Z00012473710	M14X1,5	0,000		
---	0634.801.217	99707034424	SEALING RING	1		Z00010274513	14X20	0,000		
30	---		UNION SCREW	1		Z00010274511	M14X1,5	0,000		
---	0737.300.061		UNION SCREW	1		Z00012473710	M14X1,5	0,000		
---	0634.801.217	99707034424	SEALING RING	1		Z00010274513	14X20	0,000		
50	1315.245.017		TUBE	1		C01003833B10	KPL.GP LI*L=532MM* 12X1,5	0,000		
60	---		UNION SCREW	1		Z00010274511	M14X1,5	0,000		
---	0737.300.061		UNION SCREW	1		Z00012473710	M14X1,5	0,000		
---	0634.801.217	99707034424	SEALING RING	1		Z00010274513	14X20	0,000		
70	---		UNION SCREW	1		Z00010274511	M14X1,5	0,000		
---	0737.300.061		UNION SCREW	1		Z00012473710	M14X1,5	0,000		
---	0634.801.217	99707034424	SEALING RING	1		Z00010274513	14X20	0,000		
140	0659.160.081		CABLE CLIP	1		C01006654E10	4,7X210	0,000		