



# Spare Parts Catalog

16 S 151  
RENAULT

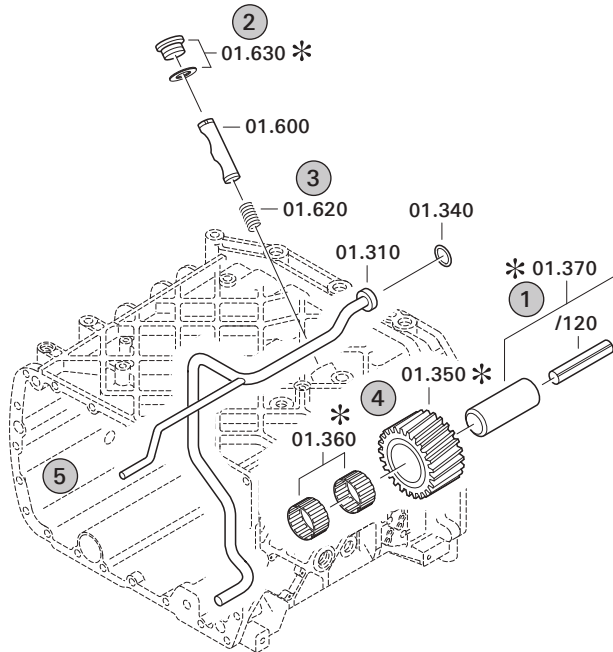
Material number: 1315.051.989

# Notes relating to the spare parts catalog

## Setup of the spare parts catalog

- Cover sheet
- Technical Cover (only in SDM print)
- Overview of figures
- Figure
- Associated parts list
- Next figure
- Associated parts list
- ...

## Figure and parts list



## Overview of figures

Bildtafel Figure	Sachnummer Product number	Benennung (Description)	Technische Info Technical info	Description (Benennung)	Menge Quantity	Einheit Unit
068.08.17	1316.170.001	AUSLEGER	WL	SHIFT TURRET	1	Stk
068.08.06	1316.170.031	DECKEL	WL*H-H *VM	COVER	1	Stk
068.08.14	1316.170.808	DECKEL	WL*AUSL+GEH*H-H*HF160N	COVER	1	Stk
08	1316.170.441	ANSCHLUSSTEILE	WL*NG-VORB*RG-SCHL*168N *BAJONETT	CONNECTING PARTS	1	Stk

The "gap" indicates that there is no separate graphics panel (poster) for this assembly  
The parts of this assembly are shown with the same mid-section number on the figure

### 1 Positions and subpositions

Pos.	Sachnummer Product number	Benennung (Description)	Technische Info Technical info	Description (Benennung)	Menge Quantity	Einheit Unit
0370	1315.201.054	RUECKLAUFBOLZEN	KPL.16S151*SG*L= 79	REV.IDLER SHAFT	1	Stk
/0120	0631.329.293	SPANNSTIFT		SLOT. PIN	1	Stk

Positions marked with "/" are the individual items of a completion  
For example: Position 0370 contains a centering pin with the position /0120

### 2 Combinations with standardized parts

Pos.	Sachnummer Product number	Benennung (Description)	Technische Info Technical info	Description (Benennung)	Menge Quantity	Einheit Unit
0630		VERSCHL.SCHR.		SCREW PLUG	1	Stk
	0636.302.067	VERSCHL.SCHR.		SCREW PLUG	1	Stk
	0634.801.249	DICHTRING	A 26 X 31	SEALING RING	1	Stk

The parts list shows the components included in the combination of standardized parts

### 3 Depiction of position/item number on the figure and in the parts list

01.620 - on the figure      01 relates to the assembly in which the position is included. Due to program-related reasons, it is shown on the figure.

0620 - in the parts list

Pos.	Sachnummer Product number	Benennung (Description)	Technische Info Technical info	Description (Benennung)	Menge Quantity	Einheit Unit
0620	0732.040.736	DRUCKFEDER		COMPRESSION SPRING	1	Stk

### 4 \*-Positions

Positions marked with an \* are optional i.e. inclusion in the parts list is not mandatory.  
The following note is shown on the figure

je nach Stücklistenausführung  
depending on spec. number  
\*  
suivant la nomenclature  
secondo la distinta base

### 5 Parts, dotted display

Parts with dotted display on the figure are only used for orientation of other parts



Pos.	Information	Amendment number
001	Use case -----	
002	Customer Renault Vehicules Industriels	
003	City Saint Priest Cedex	
004	DUNS 27-813-6346	
005	Vehicle / Apparatus -----	
006	Sales Name PREMIUM	
007	Manufacturer Renault Vehicules Industriels	
008	Engineering Name	
009	Product Use TRUCK	
010	Vehicle/Hardware Type ROAD TRACTOR	
011	SOP	
012	Engine	
013	Sales Designation DCI11E+J01	
014	Manufacturer Renault Vehicules Industriels	
015	Eng.Displ.	
016	Cylinder	
017	Nom. power 266 kW	
018	RPM at nom. power 2000 1/min	
019	Nom. torque 1670 Nm	
020	RPM at nom. torque 1200 1/min	
021	Classification use case -----	
022	DESIGNATION, CLUTCH 430DTE	
023	MANUFACTURER, CLUTCH VALEO	
024	TOTAL NUMBER OF WHEELS 6	
025	NUMBER OF DRIVING WHEELS 2	
026	DYNAMIC TYRE RADIUS 522 mm	
027	REAR AXLE RATIO 3.36	
031	PERMISS.GROSS VEHICLE WEIGHT 34 t	
032	PERMISS.GROSS COMBIN.WEIGHT 60 t	
033	Use case -----	
034	Customer Renault Vehicules Industriels	
035	City Saint Priest Cedex	



Pos.	Information	Amendment number
036	DUNS 27-813-6346	
037	Vehicle / Apparatus -----	
038	Sales Name PREMIUM	
039	Manufacturer Renault Vehicules Industriels	
040	Engineering Name	
041	Product Use TRUCK	
042	Vehicle/Hardware Type ROAD TRACTOR	
043	SOP	
044	Engine	
045	Sales Designation	
046	Manufacturer Renault Vehicules Industriels	
047	Eng.Displ.	
048	Cylinder	
049	Nom. power 303 kW	
050	RPM at nom. power 1900 1/min	
051	Nom. torque 1870 Nm	
052	RPM at nom. torque 1100 1/min	
053	Classification use case -----	
054	DESIGNATION, CLUTCH 430DTE	
055	MANUFACTURER, CLUTCH VALEO	
056	TOTAL NUMBER OF WHEELS 6	
057	NUMBER OF DRIVING WHEELS 2	
058	DYNAMIC TYRE RADIUS 522 mm	
059	REAR AXLE RATIO 3.36	
063	PERMISS.GROSS VEHICLE WEIGHT 34 t	
064	PERMISS.GROSS COMBIN.WEIGHT 60 t	
065	Product description -----	
066	INSTALLATION POS TRANSMISSION HORIZONTAL LEFT	
067	TRANSMISSION ATTACHMENT FLANGE-MOUNTED	
069	RATIO, BOTTOM GEAR 16.41	
070	RATIO, TOP GEAR 1	
071	RATIO, 1ST GEAR 16.41	



Pos.	Information	Amendment number
072	RATIO, 2ND GEAR 13.8	
073	RATIO, 3RD GEAR 11.28	
074	RATIO, 4TH GEAR 9.49	
075	RATIO, 5TH GEAR 7.76	
076	RATIO, 6TH GEAR 6.53	
077	RATIO, 7TH GEAR 5.43	
078	RATIO, 8TH GEAR 4.57	
079	RATIO, 9TH GEAR 3.59	
080	RATIO, 10TH GEAR 3.02	
081	RATIO, 11TH GEAR 2.47	
082	RATIO, 12TH GEAR 2.08	
083	RATIO, 13TH GEAR 1.7	
084	RATIO, 14TH GEAR 1.43	
085	RATIO, 15TH GEAR 1.19	
086	RATIO, 16TH GEAR 1	
087	RATIO, 1ST GEAR REVERSE 15.36	
088	RATIO, 2ND GEAR REVERSE 12.92	
089	SET OF RATIOS DG	
090	UEBERSETZUNGSREIHE BASIS DG	
091	NUMBER OF PLANETARY GEARS 5	
092	UEBERSETZUNG PLANETENSATZ 4.565	
093	AUSF VERZAHNUNG PLANETENSATZ OBLIQUE TOOTHING	
094	DESIGN, SHIFT SYSTEM TURNING SHAFT	
095	POSITION, GEAR SHIFT SYSTEM HORIZONTAL LEFT	
096	DESIGN, SHIFT PATTERN H-H	
097	VERSION SHIFT SUPPORT SERVO	
098	VERSION ACTUATION SHIFT SYSTEM CONTROL CABLE	
100	VERSION TUBE R/C PLASTIC-FORM-PIPE	
102	VERSION TUBE SERVO WITHOUT PIPING	
104	AUSF RUECKSCHALTG GASSENSPERRE WITHOUT GROOVE	
105	VERSION TUBE GATE INTERLOCK WITHOUT PIPING	
107	1ST CUSTOMER SPEC SHIFT SYSTEM WITHOUT GROOVE	



Pos.	Information	Amendment number
108	2ND CUSTOMER SPEC SHIFT SYSTEM WITHOUT GROOVE	
109	DIA THROTTLE MAIN CUTOFF VALVE 1.55 mm	
110	NO. TAPPETS MAIN CUTOFF VALVE 2	
111	POS. AIR CON MAIN CUTOFF VALVE G	
117	SELECTION PATTERN VARIANT GEAR SHIFT PATTERN 1	
121	DESIGN, SEPARATING CLUTCH FULL-SYNCHRONIZED	
122	VERSION OF SYNCHRONIZER 1 1.+2.GEAR DK-SYNCHRONIZATION	
123	VERSION OF SYNCHRONIZER 2 3.+4.GEAR BK-SYNCHRONIZATION	
124	REFERENCE LENGTH INPUT SHAFT 109 mm	
125	STANDARD TYPE INPUT SHAFT SAE	
126	NUMBER OF WEDGES INPUT SHAFT 10	
129	VERSION OF INPUT SHAFT FORM C	
130	NOMINAL DIAMETER INPUT SHAFT 2 in	
132	DIAMETER, JOURNAL, INPUT SHAFT 25 mm	
133	TYPE FIT SPIGOTS INPUT SHAFT F7	
134	VER. BEAR. SPIGOTS INPUT SHAFT TAPER ROLLER	
135	LENGTH, INPUT SHAFT 382.5 mm	
136	DIAMETER SHAFT OF INPUT SHAFT 50.3 mm	
137	LENGTH, PROFILE, INPUT SHAFT 120 mm	
138	BUSH VARIANT INPUT SHAFT WITHOUT GROOVE	
139	VERSION BEARING CONSTANT 1 GL	
140	DIAMETER BEARING INPUT SHAFT 99.916 mm	
141	TYPE FIT BEAR. INPUT SHAFT H5	
143	DESIGN,CONN., CLUTCH HOUSING SAE 1	
148	VERSION OF CLUTCH HOUSING INTEGRATED	
151	POSITION MOUNT. FACE HOUSING 2 WITHOUT GROOVE	
158	REF.LENGTH,RELEASE BEAR.FLAN -7 mm	
159	DIAMETER, RELEASE FLANGE 60 mm	
160	TYPE FIT RELEASE BEARING FLA. F8	
164	ASSEMBLY POS. CLUTCH CYLINDER 6	
165	OUTER DIA. OUTPUT FLANGE RA 180 mm	
167	NO.OF BORES OUTPUT FLANGE HA1 4	



Pos.	Information	Amendment number
170	BORE DIA. OUTPUT FLANGE RA 15 mm	
174	CORROS.PROTECTION, OUTP.FLANGE COATED	
175	REF. LENGTH OUTPUT FLANGE RA 211.5 mm	
182	DIMENSION SHIFT TURRET DIST. 300 mm	
183	MEAS. LOC. SHIFT TURRET DIST. SHIFT LEVER-LOCATION	
184	RADIUS SELECTOR LEVER 42.000 mm	
185	SELECTOR LEVER POSITION B	
186	DESIGN OFFSET SELECTOR LEVER OUTSIDE	
187	LENGTH OFFSET SELECTOR LEVER 3.500 mm	
189	RADIUS 1 SHIFT LEVER 70 mm	
190	SHIFT LEVER CONNECTION HEXAGON	
191	DESIGN, OFFSET, SHIFT LEVER INSIDE	
193	LEVER POSITION SHIFTING OUTPUT A	
207	SPRING ARRANGEMENT Q1	
208	SPRING FORCE DETENT PLUNGER RG 90 N	
209	HUMP SPRING FORCE, OUTSIDE 90 N	
212	SELECTOR SPRING FORCE, OUTSIDE 35 N	
215	SPRING FORCE OUTS. DETENT NEUT 200 N	
217	ALLOCATION DETENT LEVER VER. C	
225	SWITCH, REVERSE GEAR y	
226	DESIGN, RG (REV.GEAR) SWITCH CLOSING	
227	DESIGN, CONNECTION, RG SWITCH DIN BAYONET	
228	CODE SWITCH RG A1	
229	PROT. CAP SWITCH, REVERSE GEAR y	
231	NOTE ON SWITCH, REVERSE GEAR G.SHIFT SHAFT	
232	SWITCH, NEUTRAL GEAR y	
233	DESIGN,NG(NEUTRAL GEAR)SWITCH OPENING SWITCH	
234	DESIGN, CONNECTION, NG SWITCH DIN BAYONET	
235	CODE SWITCH NG A1	
236	PROT.CAP SWITCH, NEUTRAL GEAR y	
253	FUNCTION OF R/C SWITCH GP	
254	DESIGN, GP SWITCH PREPARED	



Pos.	Information	Amendment number
257	PROTECTING CAP GP SWITCH n	
264	FUNCTION OF S/G SWITCH GV	
265	DESIGN, GV SWITCH PREPARED	
268	PROTECTING CAP GV SWITCH n	
315	ATTACHM.POS.HEAT EXCHANGER IN FRONT LEFT PREPARED	
317	VER. TRANSMISSION VENTILATION PLUG CONNECTION 90 DEGREE	
318	LENGTH, VENT TUBE 2200.000 mm	
319	POS.TRANSMISSION VENTILATION IN FRONT	
336	VERSION PULSE SENSOR SFA H68 WITHOUT GROOVE	
340	PROT. CAP PULSE SENSOR SFA H68 n	
341	NO. PULSES PULSE SENSOR SFAH68 6 IMP/U	
346	VER. PULSE SENSOR TRANSM. H70 WITH	
347	VER. CONNECT. PULSE SENSOR H70 DIN BAYONET	
348	AUSFUEHRUNG IMP.GEBER H70 KITAS II	
349	HINWEIS IMPULSGEBER H70 ADR-EXPLOSION-PROOF	
350	PROT. CAP PULSE SENSOR TM H70 y	
351	NO PULSES PULSE SENSOR TM H70 6 IMP/U	
352	ASSEMBLY POS PULSE SENSOR H70 1	
353	NOTE ASS. POS PULSE SENSOR H70 INSTALLATION DRAWING	
368	POSITION, OIL FILLER HOUSING LEFT+RIGHT	
369	NOTE ON OIL FILL FILL IN OVERFLOW	
370	OIL CAPACITY, GEARBOX 11 dm3	
372	OIL GRADE PERMISSIBLE ACC. TO TE-ML02	
373	OIL CLASS FIRST FILLING E	
374	CODING OUTER CONSERVATION KA1	
375	SCOPE OUTER CONSERVATION T	
376	CODING INNER CONSERVATION KI1	
377	CONSERVATION SPECIFICATION ZFN 916	
379	COLOR JET BLACK	
380	COLOUR CLASSIFICATION ACC. TO RAL 9005	
381	PAINTING, ZF STANDARD 915 W	
384	Documents -----	





<b>Pos.</b>	<b>Information</b>	<b>Amendment number</b>
385	Drawing 1315.051.503	
386	Drawing 1315.600.220	
387	Drawing 1316.101.035	
388	TURN.SHAFT CONT Drawing 1316.173.042	
389	Alias ID -----	
390	Renault Vehicules Industriels 5010613320	

# Assembly group overview

Material number: 1315.051.989

16 S 151 / RENAULT

Page 1 from 2



Graphics	Pos.	Material number	Name	Quantity	Amend. no.	Techn. Info.
068.01.05-1	110	1315.101.123	GEARBOX HOUSING	1		
068.01.05-1	120	1315.101.981	GEARBOX HOUSING	1		
068.02.02-1	140	1315.102.429	CONNPLATE	1		
068.02.02-1	150	1315.102.811	INPUT SHAFT	1		
068.02.02-1	910	1315.102.036	INPUT SHAFT	1		
068.03.01-1	180	1316.103.803	LAYSHAFT	1		
068.03.01-1	920	1315.103.017	LAYSHAFT	1		
068.04.12-1	930	1315.104.027	MAIN SHAFT	1		
068.06.01-1	230	1315.106.008	GEAR SHIFT SYSTEM	1		
068.06.01-1	234	1315.106.422	CONNECTING PARTS	1		
068.06.01-1	238	1315.106.800	GEAR SHIFT SYSTEM	1		
068.07.31-1	292	1316.108.838	GEAR SHIFT HOUSING	1		
068.07.31-1	910	1316.108.046	GEAR SHIFT HOUSING	1		
068.07.31-1	914	1316.108.461	GEAR SHIFT SHAFT	1		
068.07.31-1	924	1316.108.031	DETENT	1		
062.08.30-1	954	1316.171.403	END COVER	1		
062.08.30-1	960	1316.171.406	PNEUMSERVUNIT	1		
068.09.01-1	934	1316.109.022	CONNECTING PARTS	1		
068.09.01-1	940	1316.109.433	CONNECTING PARTS	1		
068.10.02-1	296	1316.111.802	SELECTOR LEVER	1		
068.10.02-1	932	1316.111.004	SELECTOR LEVER	1		
068.12.12-1	918	1316.149.430	SET OF SPRINGS	1		
068.40.04-1	500	1315.112.014	GV-SHIFT SYSTEM	1		
068.40.04-1	502	1315.112.402	CONNECTING PARTS	1		
068.43.06-1	10	1315.131.047	COVER	1		
068.43.06-1	20	1315.131.050	GP HOUSING	1		
068.43.06-1	30	1315.131.400	CLOSING COMPONENTS	1		
068.43.06-1	512	1315.131.805	GP HOUSING	1		
068.43.06-1	516	1315.131.436	CONNECTING PARTS	1		
068.44.07-1	40	1315.132.015	PLANETARY DRIVE	1		
068.44.07-1	50	1316.132.419	PLANETARY DRIVE	1		

# Assembly group overview

Material number: 1315.051.989

16 S 151 / RENAULT

Page 2 from 2



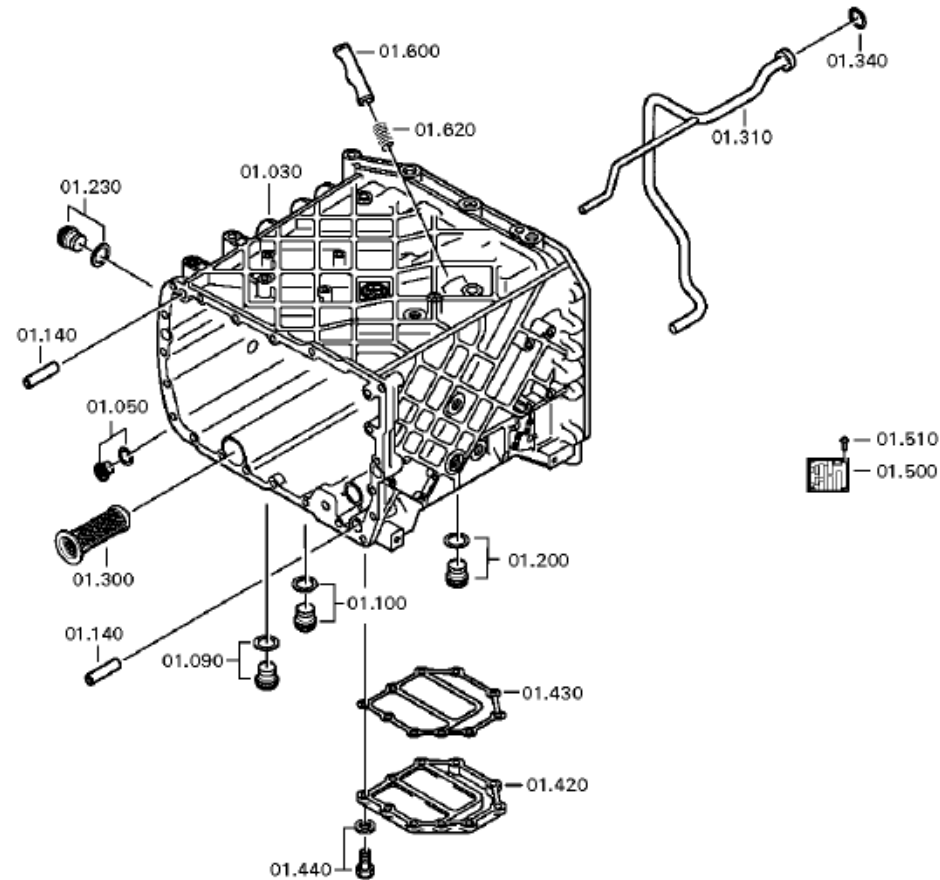
Graphics	Pos.	Material number	Name	Quantity	Amend. no.	Techn. Info.
068.45.04-1	70	1316.133.008	SYNCHRONIZER	1		
068.45.04-1	80	1315.133.405	SYNCHRONIZER	1		
068.46.03-1	90	1315.134.015	GP SHIFT SYSTEM	1		
068.46.03-1	554	1315.134.409	CONNECTING PARTS	1		
068.57.04-1	390	1315.145.004	RANGE SELECTION	1		

# Plant

Page 1 from 2

Material number: 1315.051.989  
Plant: 068.01.05-1  
GEARBOX HOUSING

16 S 151 / RENAULT  
GEARBOX HOUSING

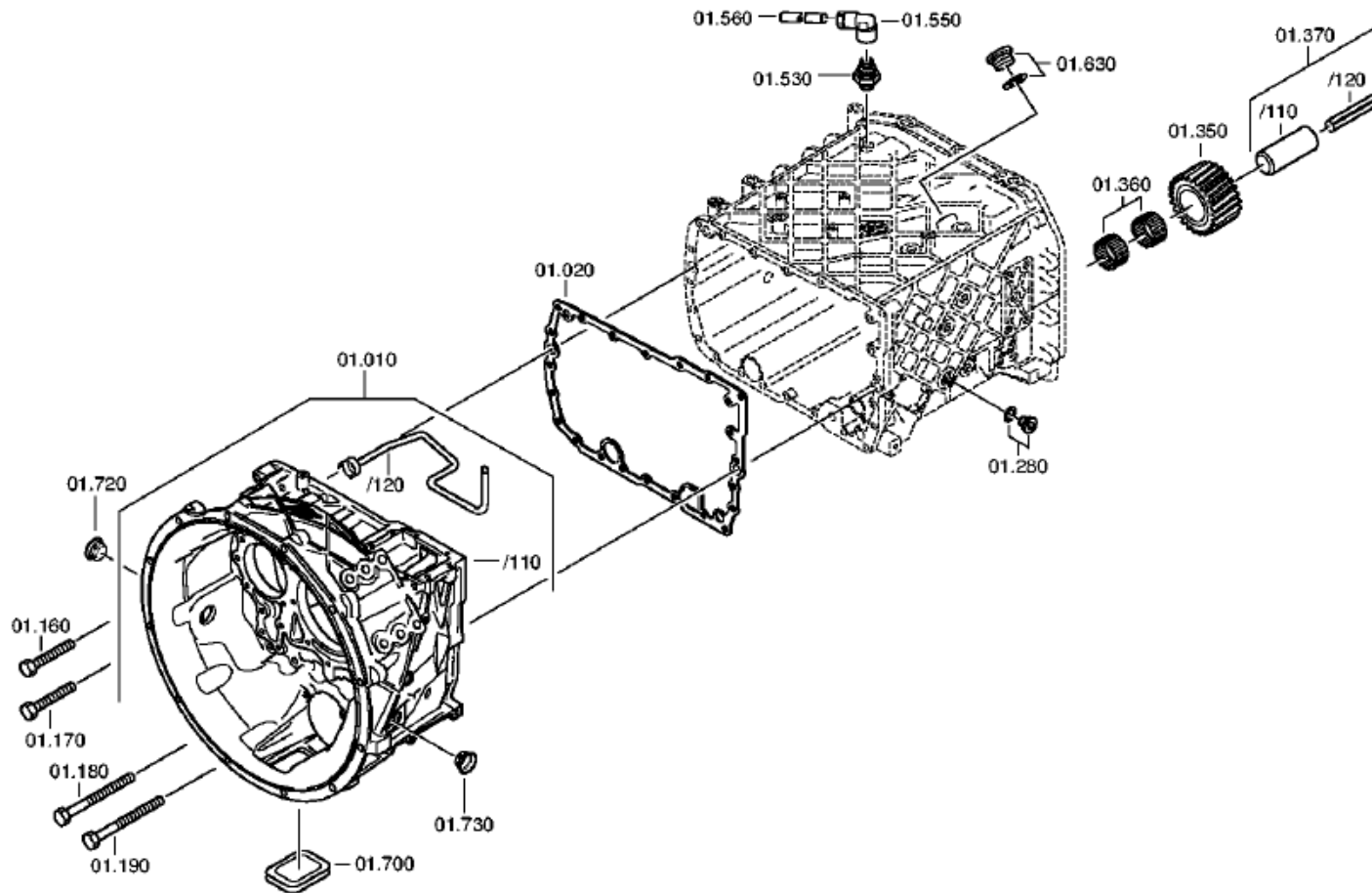


# Plant

Page 2 from 2

Material number: 1315.051.989  
Plant: 068.01.52-1  
GEARBOX HOUSING

16 S 151 / RENAULT  
GEARBOX HOUSING



# Parts list

Page 1 from 3

Material number: 1315.051.989

16 S 151 / RENAULT

Plant: 068.01.05-1

Material-assembly-group-no: 1315.101.123



Pos.	Material number	Customer material	Name	Quantity	ME	Amend. no.	Techn. Info.	Weight	Rep kit	Alternative material
10	1316.201.142		CLUTCH HOUSING	1			KPL.	0,000		
/110	1316.301.064		CLUTCH HOUSING	1			ENTHALT.IN 1316 301 060(0)	0,000		
/120	1315.201.097		PIPE	1			KPL.	0,000		
20	1315.301.233		GASKET	1		C01005348C10		0,000		
30	1315.201.208		HOUSING	1			KPL.	0,000		
50	---		SCREW PLUG	1		Z00010176111	24X1,5	0,000		
---	0736.300.160		SCREW PLUG	1		Z00010176110	M24X1,5 M24X1,5	0,000		
---	0730.008.637		SEALING RING	1		Z00010176110	A24X29	0,000		
90	---		SCREW PLUG	1		Z00010164013	50N.M*DICHTRING M22X1,5	0,000		
---	0636.100.824		SCREW PLUG	1		Z00010164019	M22X1,5	0,000		
---	0730.009.515		SEALING RING	1		Z00010164019	A22X27	0,000		
100	---		SCREW PLUG	1		Z00010164013	50N.M*DICHTRING M22X1,5	0,000		
---	0636.100.824		SCREW PLUG	1		Z00010164019	M22X1,5	0,000		
---	0730.009.515		SEALING RING	1		Z00010164019	A22X27	0,000		
140	0731.201.563		CYLINDRICAL PIN	4				0,000		
160	0736.300.123		HEXAGON BOLT	14			M10X70 M10X70	0,000		
170	---		HEXAGON BOLT	1			M10X70	0,000		
---	0736.300.123		HEXAGON BOLT	1			M10X70 M10X70	0,000		
---	0666.790.033		SEALCOMPOUND	1				0,310		
180	0736.300.119		HEXAGON BOLT	6		Z00009403410	M10X140 M10X140	0,000		
190	---		HEXAGON BOLT	1		Z00009403410	M10X140	0,000		
---	0736.300.119		HEXAGON BOLT	1		Z00009403412	M10X140 M10X140	0,000		
---	0666.790.033		SEALCOMPOUND	1		Z00009403412		0,310		
200	---		SCREW PLUG	1		Z00010112111	60N.M*DICHTRING M24X1,5	0,000		
---	0636.304.088		SCREW PLUG	1		Z00010112110	M24X1,5	0,000		
---	0730.008.637		SEALING RING	1		Z00010112110	A24X29	0,000		

# Parts list

Page 2 from 3

Material number: 1315.051.989

16 S 151 / RENAULT

Plant: 068.01.05-1

Material-assembly-group-no: 1315.101.123



Pos.	Material number	Customer material	Name	Quantity	ME	Amend. no.	Techn. Info.	Weight	Rep kit	Alternative material
230	---		SCREW PLUG	1		Z00010112111	60N.M*DICHTRING M24X1,5	0,000		
---	0636.304.088		SCREW PLUG	1		Z00010112110	M24X1,5	0,000		
---	0730.008.637		SEALING RING	1		Z00010112110	A24X29	0,000		
280	---		SCREW PLUG	1		Z00010112111	60N.M*DICHTRING M24X1,5	0,000		
---	0636.304.088		SCREW PLUG	1		Z00010112110	M24X1,5	0,000		
---	0730.008.637		SEALING RING	1		Z00010112110	A24X29	0,000		
300	0501.318.802		SCREEN INSERT	1				0,000		
310	1315.201.111		SPRAY TUBE	1			KPL. IN 1315 201 112(0)	0,000		
340	0634.313.198		O-RING	1			20X3	1		
350	1315.305.011		REVERSE IDLER GEAR	1		C01000062F10		0,000		
360	0750.115.366		NEEDLE CAGE	2			45,0X57,0X21,0	0,000		
370	1315.201.053		REVERSE IDLER SHAFT	1			KPL.16S151*DG*L=84	0,000		
/120	0631.329.294		SLOTPIN	1			10X100	0,000		
420	1315.301.151		COVER	1				0,000		
430	0501.316.146		GASKET	1				0,000		
440	0636.100.432		HEXAGON BOLT	10		Z00007349511	M10X28	0,000		
500	---		TYPE PLATE	1			KONZERN	0,000		
---	0730.365.241		TYPE PLATE	1			EINHEITSSCH. VERDREHSICHER	0,000		
---	0730.365.259		TYPE PLATE	1			EINHEITSSCH. VERDREHSICHER	0,000		
---	0730.365.267		TYPE PLATE	1			CHINA	0,000		
---	0730.300.258		TYPE PLATE	1			EINHEITSSCH. VERDREHSICHER	0,000		
---	0730.365.271		TYPE PLATE	1			RUSSLAND/ KYRILLISCH	0,000		
---	0730.365.257		TYPE PLATE	1			S.S.CH IRAN	0,000		
510	0731.300.027		BLIND RIVET	4		Z00007904810		0,000		
530	0501.315.794		CANNON SOCKET	1		Z00006366310	VOSS M10X1	0,000		

# Parts list

Page 3 from 3

Material number: 1315.051.989

16 S 151 / RENAULT

Plant: 068.01.05-1

Material-assembly-group-no: 1315.101.123



Pos.	Material number	Customer material	Name	Quantity	ME	Amend. no.	Techn. Info.	Weight	Rep kit	Alternative material
560	1315.201.214		PIPE	1			L=2200MM	0,000		
600	1313.306.013		LOCKING PIN	1				0,000		
620	0732.040.736		COMPRSPRING	1				5,200		
630	---		SCREW PLUG	1		Z00010164412	70N.M*DICHTRING M26X1,5	0,000		
---	0636.100.811		SCREW PLUG	1		Z00010164420	M26X1,5	0,000		
---	0634.801.249		SEALING RING	1		Z00010164420	26X31	0,010		
700	1315.301.230		PROTECTION CAP	1				0,000		
720	0501.321.840		PLUG	1				0,000		
730	0501.321.840		PLUG	1				0,000		

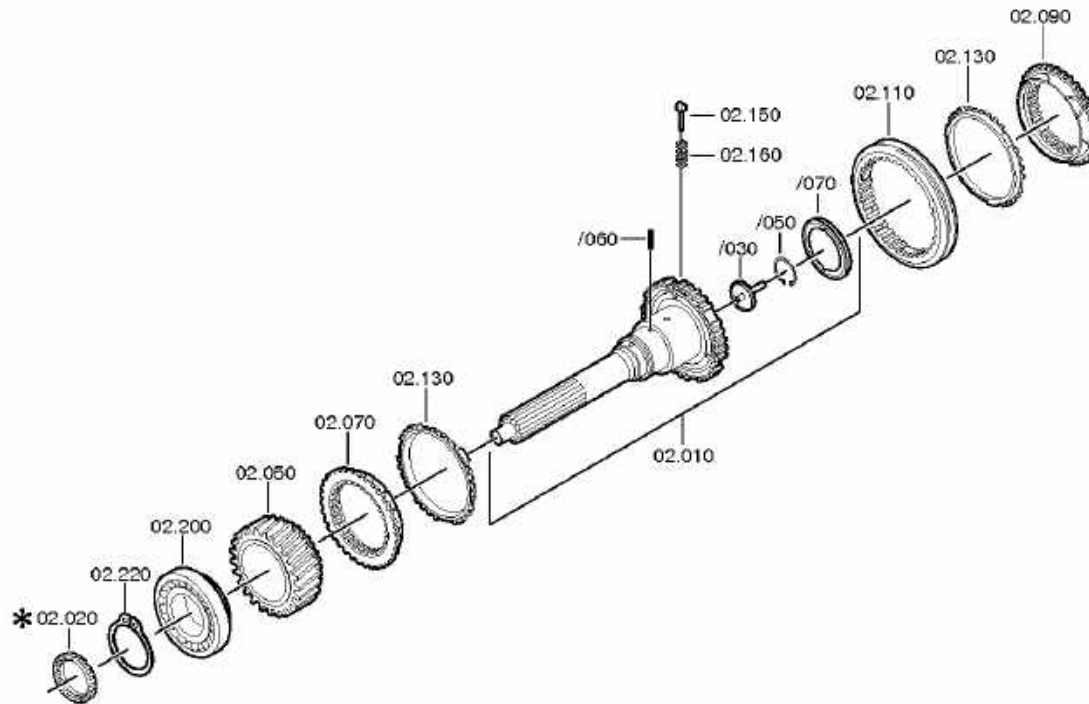


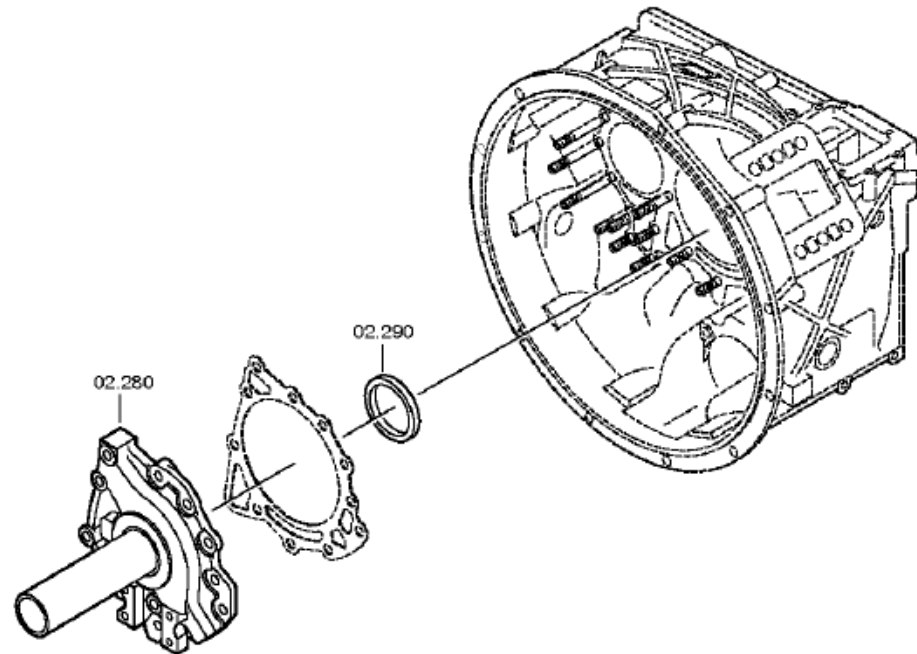
# Plant

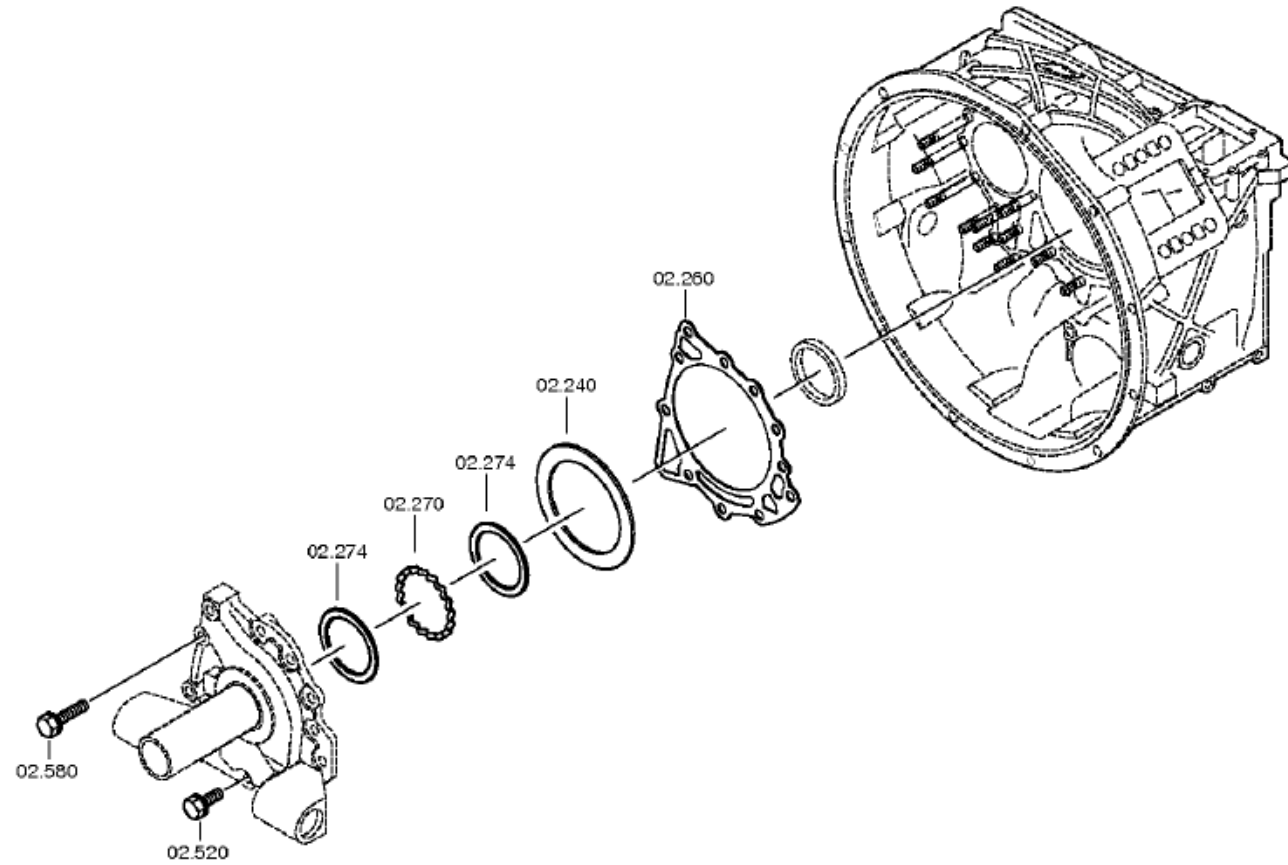
Page 1 from 3

Material number: 1315.051.989  
Plant: 068.02.02-1  
INPUT SHAFT

16 S 151 / RENAULT  
CONNPLATE







# Parts list

Page 1 from 3

Material number: 1315.051.989

16 S 151 / RENAULT

Plant: 068.02.02-1

Material-assembly-group-no: 1315.102.429



Pos.	Material number	Customer material	Name	Quantity	ME	Amend. no.	Techn. Info.	Weight	Rep kit	Alternative material
10	1315.202.037		INPUT SHAFT	1			KPL.L109*GL100*ZAPF.25	0,000		
/30	1354.302.019		PIPE	1		Z00003830511		0,000		
/50	0630.502.027		RETAINING RING	1			50X2	8		
/70	0750.101.179		OIL DAM	1		Z00007187910	88,0X95,5X6,0	0,000		
50	1315.302.157		HELICAL GEAR	1			Z30 IN 1315 302 156(1)	0,000		
70	1312.304.027		CLUTCH BODY	1			ENTHALT.IN 1310 304 107(1)	0,000		
90	1312.304.027		CLUTCH BODY	1		C01004680D10	ENTHALT.IN 1310 304 107(1)	0,000		
110	1310.304.202		SLIDING SLEEVE	1		C01005378A10		0,000		
130	1297.304.484		SYNCHRORING	2				0,000		
150	1297.304.436		PRESSURE PIECE	3				0,004		
160	0732.040.409		COMPRSPRING	3		C01007317F10		0,002		
200	0750.117.732		TAROLLBEARING	1			85,0X150,0X30,5	0,000		
220	0730.501.598		RETAINING RING	1		C01007992110	85X4	0,000		
240	---		SHIM	1			S= 0,90- 2,20( ABSTUFUNG:0,05MM)	0,000		
---	2050.309.094		SHIM	1			A=2,2 IN 2050 309 090 C45E WW.F500 ZFN410	0,000		
---	0730.007.489		SHIM	1			A=2,15 IN 2050 309 090(2)	0,000		
---	0730.007.488		SHIM	1			A=2,10 IN 2050 309 090(2)	0,000		
---	0730.007.487		SHIM	1			A=2,05 IN 2050 309 090(2)	0,000		
---	0730.007.486		SHIM	1			A=2,00 IN 2050 309 090(2)	0,000		
---	0730.007.485		SHIM	1			A=1,95 IN 2050 309 090(2)	0,000		
---	0730.007.484		SHIM	1			A=1,90 IN 2050 309 090(2)	0,000		

# Parts list

Page 2 from 3

Material number: 1315.051.989

16 S 151 / RENAULT

Plant: 068.02.02-1

Material-assembly-group-no: 1315.102.429



Pos.	Material number	Customer material	Name	Quantity	ME	Amend. no.	Techn. Info.	Weight	Rep kit	Alternative material
---	0730.007.483		SHIM	1			A=1,85 IN 2050 309 090(2)	0,000		
---	0730.007.482		SHIM	1			A=1,80 IN 2050 309 090(2)	0,000		
---	0730.007.481		SHIM	1			A=1,75 IN 2050 309 090(2)	0,000		
---	0730.007.480		SHIM	1			A=1,70 IN 2050 309 090(2)	0,000		
---	0730.007.479		SHIM	1			A=1,65 IN 2050 309 090(2)	0,000		
---	0730.007.136		SHIM	1			A=1,60 IN 2050 309 090(2)	0,000		
---	0730.007.135		SHIM	1			A=1,55 IN 2050 309 090(2)	0,000		
---	0730.007.134		SHIM	1			A=1,50 IN 2050 309 090(2)	0,000		
---	0730.007.133		SHIM	1			A=1,45 IN 2050 309 090(2)	0,000		
---	0730.007.132		SHIM	1			A=1,40 IN 2050 309 090(2)	0,000		
---	0730.007.131		SHIM	1			A=1,35 IN 2050 309 090(2)	0,000		
---	0730.007.130		SHIM	1			A=1,30 IN 2050 309 090(2)	0,000		
---	0730.007.129		SHIM	1			A=1,25 IN 2050 309 090(2)	0,000		
---	2050.309.034		SHIM	1			A=1,2 IN 2050 309 090 C45E WW.F500 ZFN410	0,000		
---	0730.007.128		SHIM	1			A=1,15 IN 2050 309 090(2)	0,000		
---	0730.007.127		SHIM	1			A=1,10 IN 2050 309 090(2)	0,000		

# Parts list

Page 3 from 3

Material number: 1315.051.989

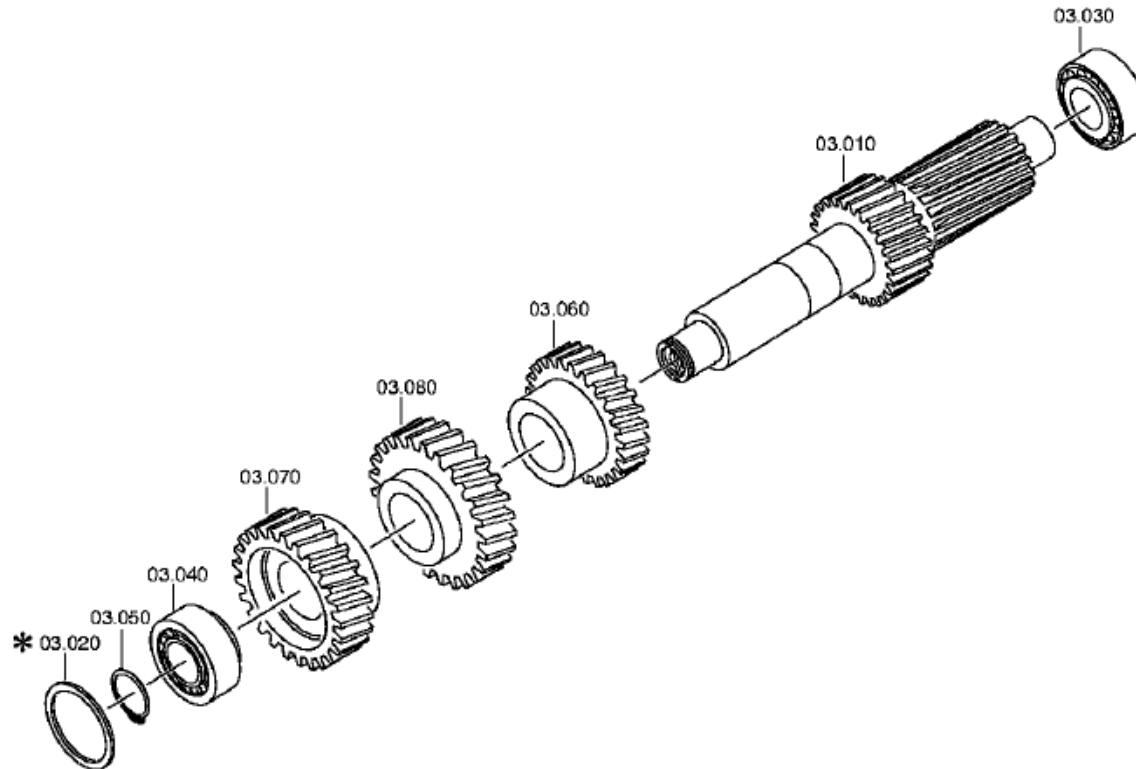
16 S 151 / RENAULT

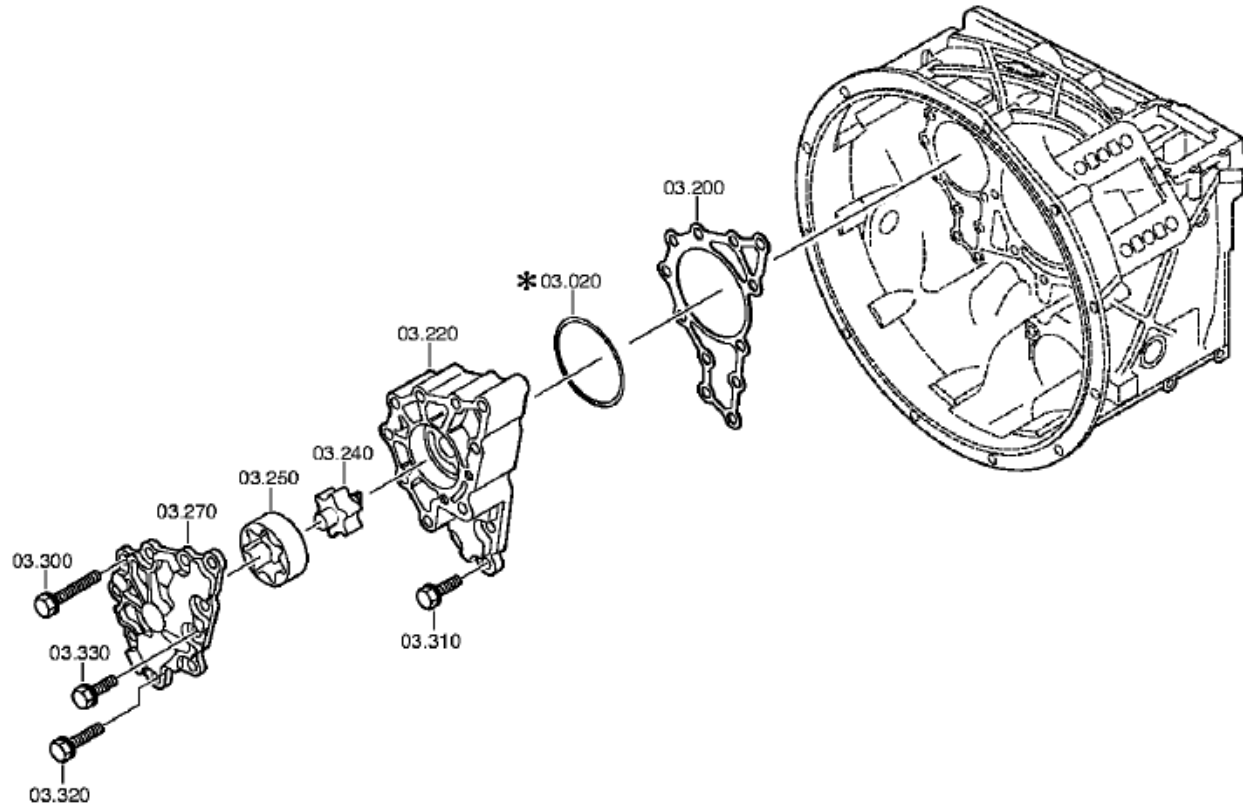
Plant: 068.02.02-1

Material-assembly-group-no: 1315.102.429



Pos.	Material number	Customer material	Name	Quantity	ME	Amend. no.	Techn. Info.	Weight	Rep kit	Alternative material
---	0730.007.126		SHIM	1			A=1,05 IN 2050 309 090(2)	0,000		
---	2050.309.065		SHIM	1			A=1,0 IN 2050 309 090 C45E WW.F500 ZFN410	0,000		
---	0730.005.749		SHIM	1			A=0,95 IN 2050 309 090(2)	0,000		
---	0730.005.748		SHIM	1			A=0,90 IN 2050 309 090(2)	0,000		
260	0501.314.587		GASKET	1				0,000		
270	1315.302.040		SPACER RING	1				0,000		
274	0730.150.766		WASHER	2				0,000		
280	1315.302.136		CONNPLATE	1				0,000		
290	---		SHAFT SEAL	1		C01002111D10	75X55X8	0,000		
---	0734.310.387		SHAFT SEAL	1			55X75X8/9,2 FA.CFW	0,000		
520	0636.015.685		HEXAGON BOLT	8		Z00009177310	M10X35	0,000		
580	0636.102.270		HEXAGON BOLT	3		Z00009177410	M10X60	0,000		







# Parts list

Page 1 from 3

Material number: 1315.051.989

16 S 151 / RENAULT

Plant: 068.03.01-1

Material-assembly-group-no: 1316.103.803



Pos.	Material number	Customer material	Name	Quantity	ME	Amend. no.	Techn. Info.	Weight	Rep kit	Alternative material
10	1315.303.063		LAYSHAFT	1				0,000		
20	---		SHIM	1			S= 1,85- 3,25( ABSTUFUNG:0,05MM)	0,000		
---	0730.112.938		SHIM	1		C01007375C10	A=3,25	0,000		
---	0730.112.937		SHIM	1		C01007375C10	A=3,20	0,000		
---	0730.112.936		SHIM	1		C01007375C10	A=3,15	0,000		
---	0730.112.935		SHIM	1		C01007375C10	A=3,10	0,000		
---	0730.106.860		SHIM	1		C01007375C10	A=3,05 IN 0730 106 904(2)	0,000		
---	0730.106.917		SHIM	1			A=3,00 IN 0730 106 904(2)	0,000		
---	0730.106.916		SHIM	1			A=2,95 IN 0730 106 904(2)	0,000		
---	0730.106.915		SHIM	1			A=2,90 IN 0730 106 904(2)	0,000		
---	0730.106.914		SHIM	1			A=2,85 IN 0730 106 904(2)	0,000		
---	0730.106.913		SHIM	1			A=2,80 IN 0730 106 904(2)	0,000		
---	0730.106.912		SHIM	1			A=2,75 IN 0730 106 904(2)	0,000		
---	0730.106.911		SHIM	1			A=2,70 IN 0730 106 904(2)	0,000		
---	0730.106.910		SHIM	1			A=2,65 IN 0730 106 904(2)	0,000		
---	0730.106.909		SHIM	1			A=2,60 IN 0730 106 904(2)	0,000		
---	0730.106.908		SHIM	1			A=2,55 IN 0730 106 904(2)	0,000		
---	0730.100.799		SHIM	1			A=2,50 IN 0730 106 904(2)	0,000		

# Parts list

Page 2 from 3

Material number: 1315.051.989

16 S 151 / RENAULT

Plant: 068.03.01-1

Material-assembly-group-no: 1316.103.803



Pos.	Material number	Customer material	Name	Quantity	ME	Amend. no.	Techn. Info.	Weight	Rep kit	Alternative material
---	0730.100.800		SHIM	1			A=2,45 IN 0730 106 904(2)	0,000		
---	0730.100.801		SHIM	1			A=2,40 IN 0730 106 904(2)	0,000		
---	0730.100.802		SHIM	1			A=2,35 IN 0730 106 904(2)	0,000		
---	0730.100.803		SHIM	1			A=2,30 IN 0730 106 904(2)	0,000		
---	0730.101.466		SHIM	1			A=2,25 IN 0730 106 904(2)	0,000		
---	0730.101.467		SHIM	1			A=2,20 IN 0730 106 904(2)	0,000		
---	0730.101.468		SHIM	1			A=2,15 IN 0730 106 904(2)	0,000		
---	0730.101.469		SHIM	1			A=2,10 IN 0730 106 904(2)	0,000		
---	0730.101.470		SHIM	1			A=2,05 IN 0730 106 904(2)	0,000		
---	0730.101.471		SHIM	1			A=2,00 IN 0730 106 904(2)	0,000		
---	0730.106.907		SHIM	1			A=1,95 IN 0730 106 904(2)	0,000		
---	0730.106.906		SHIM	1			A=1,90 IN 0730 106 904(2)	0,000		
---	0730.106.905		SHIM	1			A=1,85 IN 0730 106 904(2)	0,000		
30	0750.117.009		TAROLLBEARING	1			49,2X103,1X43,6	0,000		
40	0750.117.009		TAROLLBEARING	1			49,2X103,1X43,6	0,000		
50	---		RETAINING RING	1			S= 2,40- 3,00( ABSTUFUNG:0,05MM)	0,000		
---	0630.531.065	5000293581	RETAINING RING	1			50X3	16		
---	0630.501.111		RETAINING RING	1			50X2,95	0,000		

# Parts list

Page 3 from 3

Material number: 1315.051.989

16 S 151 / RENAULT

Plant: 068.03.01-1

Material-assembly-group-no: 1316.103.803



Pos.	Material number	Customer material	Name	Quantity	ME	Amend. no.	Techn. Info.	Weight	Rep kit	Alternative material
---	0630.501.112		RETAINING RING	1			50X2,9	0,000		
---	0630.501.113		RETAINING RING	1			50X2,85	0,000		
---	0630.501.114		RETAINING RING	1			50X2,8	0,000		
---	0630.501.115		RETAINING RING	1			50X2,75	0,000		
---	0630.501.116		RETAINING RING	1			50X2,7	0,000		
---	0630.501.117		RETAINING RING	1			50X2,65	0,000		
---	0630.501.118		RETAINING RING	1			50X2,6	0,000		
---	0630.501.160		RETAINING RING	1			50X2,55	0,000		
---	0630.531.064		RETAINING RING	1			50X2,5	0,100		
---	0630.501.159		RETAINING RING	1			50X2,45	0,000		
---	0630.501.148		RETAINING RING	1			50X2,4	0,000		
60	1315.303.004		HELICAL GEAR	1				0,000		
70	1315.303.008		HELICAL GEAR	1			KON/Z39 IN 1315 303 016(1)	0,000		
80	1315.303.050		HELICAL GEAR	1			ENTHALT.IN 1315 303 015(2)	0,000		
200	1315.303.060		GASKET	1		C01005349C10		0,000		
220	---		PUMP HOUSING	1			GD*GSLs	0,000		
---	1315.302.121		PUMP HOUSING	1				0,000		
---	1315.302.117		PUMP HOUSING	1				0,000		
240	1314.202.039		PUMP SHAFT	1			KPL.	0,000		
250	1315.303.027		ROTOR	1				0,000		
270	---		PUMP COVER	1			GD*GSLs	0,000		
---	1315.302.120		PUMP COVER	1				0,000		
---	1315.302.116		PUMP COVER	1				0,000		
300	0636.015.684		HEXAGON BOLT	8		Z00009177510	M10X85	0,000		
310	0636.015.685		HEXAGON BOLT	3		Z00009177310	M10X35	0,000		
320	0636.102.270		HEXAGON BOLT	1		Z00009177410	M10X60	0,000		
330	0636.015.685		HEXAGON BOLT	2		Z00009177310	M10X35	0,000		



# Parts list

Page 1 from 4

Material number: 1315.051.989

16 S 151 / RENAULT

Plant: 068.04.12-1

Material-assembly-group-no: 1315.104.027



Pos.	Material number	Customer material	Name	Quantity	ME	Amend. no.	Techn. Info.	Weight	Rep kit	Alternative material
10	1315.304.131		MAIN SHAFT	1				0,000		
40	0735.321.087		NEEDLE CAGE	1			92,0X100,0X53,0	0,000		
50	1315.304.025		HELICAL GEAR	1			2G/Z38 IN 1315 304 033(1)	0,000		
90	1315.204.006		SYNCHRONIZER	1			KPL.1+2G*DK	0,000		
/110	1312.304.106		CLUTCH DISC	1				0,000		
/120	1268.304.424		INNER RING	1				0,000		
/130	1268.304.494		INTERMRING	1			ENTHALT.IN 6002 306 153(0)	0,000		
/140	1268.304.525		OUTER RING	1			ENTHALT.IN 1310 304 095(1)	0,000		
/150	1312.304.158		SYNCHROBODY	1			ZF-D171/164	0,000		
/160	1312.304.159		COUPLING ELEMENT	3		C01006893A10		0,030		
/170	1310.304.175		SLIDING SLEEVE	1		C01007317F10		0,000		
/180	0732.040.409		COMPRSPRING	3				0,002		
/190	1297.304.436		PRESSURE PIECE	3				0,004		
/200	1268.304.525		OUTER RING	1			ENTHALT.IN 1310 304 095(1)	0,000		
/210	1268.304.494		INTERMRING	1			ENTHALT.IN 6002 306 153(0)	0,000		
/220	1268.304.424		INNER RING	1				0,000		
/230	1312.304.106		CLUTCH DISC	1				0,000		
140	1313.304.038		BUSH	1			ENTHALT.IN 1312 304 007(2)	0,000		
150	0750.115.325		NEEDLE CAGE	1			96,0X104,0X55,0	0,000		
160	1315.304.004		HELICAL GEAR	1			1G/Z47 IN 1315 304 020(1)	0,000		
180	1315.304.018		CLUTCH BODY	1			RG	0,000		
200	1315.304.132		BUSH	1			A=41,00 IN 1312 304 010(2)	0,000		
210	0750.115.324		NEEDLE CAGE	1			90,0X98,0X41,0	0,000		

# Parts list

Page 2 from 4

Material number: 1315.051.989

16 S 151 / RENAULT

Plant: 068.04.12-1

Material-assembly-group-no: 1315.104.027



Pos.	Material number	Customer material	Name	Quantity	ME	Amend. no.	Techn. Info.	Weight	Rep kit	Alternative material
220	1315.304.006		HELICAL GEAR	1			RG/Z44 IN 1315 304 019(0)	0,000		
260	0750.117.677		TAROLLBEARING	1			80,0X130,0X36,0	0,000		
270	---		RETAINING RING	1			S= 2,20- 3,65( ABSTUFUNG:0,06MM)	0,000		
---	0630.501.316		RETAINING RING	1			80X3,5	0,000		
---	0630.501.336		RETAINING RING	1			80X3,45	0,000		
---	0630.501.315		RETAINING RING	1			80X3,4	0,000		
---	0630.501.335		RETAINING RING	1			80X3,35	0,000		
---	0630.501.314		RETAINING RING	1			80X3,3	0,000		
---	0630.501.334		RETAINING RING	1			80X3,25	0,000		
---	0630.501.313		RETAINING RING	1			80X3,2	0,000		
---	0630.501.333		RETAINING RING	1			80X3,15	0,000		
---	0630.501.312		RETAINING RING	1			80X3,1	0,000		
---	0630.501.337		RETAINING RING	1			80X3,55	0,000		
---	0630.501.338		RETAINING RING	1			80X3,6	0,000		
---	0630.501.339		RETAINING RING	1			80X3,65	0,000		
280	1315.332.073		PRESSURE DISC	1				0,000		
300	1312.304.150		PIPE	1				0,000		
320	0735.321.087		NEEDLE CAGE	1			92,0X100,0X53,0	0,000		
330	1315.304.027		HELICAL GEAR	1			3G/Z34 IN 1315 304 034(1)	0,000		
350	1316.304.190		CLUTCH BODY	1		Z00006981311	ZF-BK 144 O	0,000		
370	1356.204.006		SYNCHRONIZER	1		Z00006981311	KPL.3+4G*BK144 MOLYBDAEN* ANSCHL.INTEGR VERST*ECOSPLIT 3+4	0,000		
/10	1356.304.019		SYNCHROBODY	1		Z00006981313		0,000		
/20	1356.304.023		SLIDING SLEEVE	1		Z00006981313	ZF-BK 144	0,000		
/30	1316.304.189		SYNCHROING	2		Z00006981313	ZF-BK 144	0,000		
/50	1297.304.436		PRESSURE PIECE	3		Z00006981313		0,004		

# Parts list

Page 3 from 4

Material number: 1315.051.989

16 S 151 / RENAULT

Plant: 068.04.12-1

Material-assembly-group-no: 1315.104.027



Pos.	Material number	Customer material	Name	Quantity	ME	Amend. no.	Techn. Info.	Weight	Rep kit	Alternative material
/60	0732.040.409		COMPRSPRING	3		Z00006981313		0,002		
390	1316.304.190		CLUTCH BODY	1		Z00006981311	ZF-BK 144 O	0,000		
410	0750.101.158		THRUST WASHER	2				0,000		
420	0750.119.125		INNER RING	1			67,0X77,0X54,1	0,000		
430	0750.115.534		ROLLER CAGE	2			77,0X101,0X29,0	0,000		
440	1315.304.089		HELICAL GEAR	1			ENTHALT.IN 1315 304 023(1)	0,000		
460	---		AXIAL WASHER	1			S= 7,30- 8,00( ABSTUFUNG:0,10MM)	0,000		
---	1315.304.048		AXIAL WASHER	1			A=8,00 IN 1315 304 042(2)	0,000		
---	1315.304.047		AXIAL WASHER	1			A=7,90 IN 1315 304 042(2)	0,000		
---	1315.304.046		AXIAL WASHER	1			A=7,80 IN 1315 304 042(2)	0,000		
---	1315.304.045		AXIAL WASHER	1			A=7,70 IN 1315 304 042(2)	0,000		
---	1315.304.044		AXIAL WASHER	1			A=7,60 IN 1315 304 042(2)	0,000		
---	1315.304.043		AXIAL WASHER	1			A=7,50 IN 1315 304 042(2)	0,000		
---	1315.304.085		AXIAL WASHER	1			A=7,40 IN 1315 304 042(2)	0,000		
---	1315.304.086		AXIAL WASHER	1			A=7,30 IN 1315 304 042(2)	0,000		
480	0750.117.232		TAROLLBEARING	1			42,0X40,3	0,000		
500	1312.204.040		SPLIT RING	1			GESTANZT	0,000		
/10	---		SPLIT RING	2			S= 4,60- 5,00( ABSTUFUNG:0,10MM)	0,000		
---	0730.107.023		SPLIT RING	2			A=5,00 IN 0730 106 207(2)	0,000		

# Parts list

Page 4 from 4

Material number: 1315.051.989

16 S 151 / RENAULT

Plant: 068.04.12-1

Material-assembly-group-no: 1315.104.027



Pos.	Material number	Customer material	Name	Quantity	ME	Amend. no.	Techn. Info.	Weight	Rep kit	Alternative material
---	0730.107.022		SPLIT RING	2			A=4,90 IN 0730 106 207(2)	0,000		
---	0730.107.021		SPLIT RING	2			A=4,80 IN 0730 106 207(2)	0,000		
---	0730.107.020		SPLIT RING	2			A=4,70 IN 0730 106 207(2)	0,000		
---	0730.107.019		SPLIT RING	2			A=4,60 IN 0730 106 207(2)	0,000		
/20	0730.062.781		RETAINING RING	1			ENTHALT.IN 0730 062 636(2)	0,000		

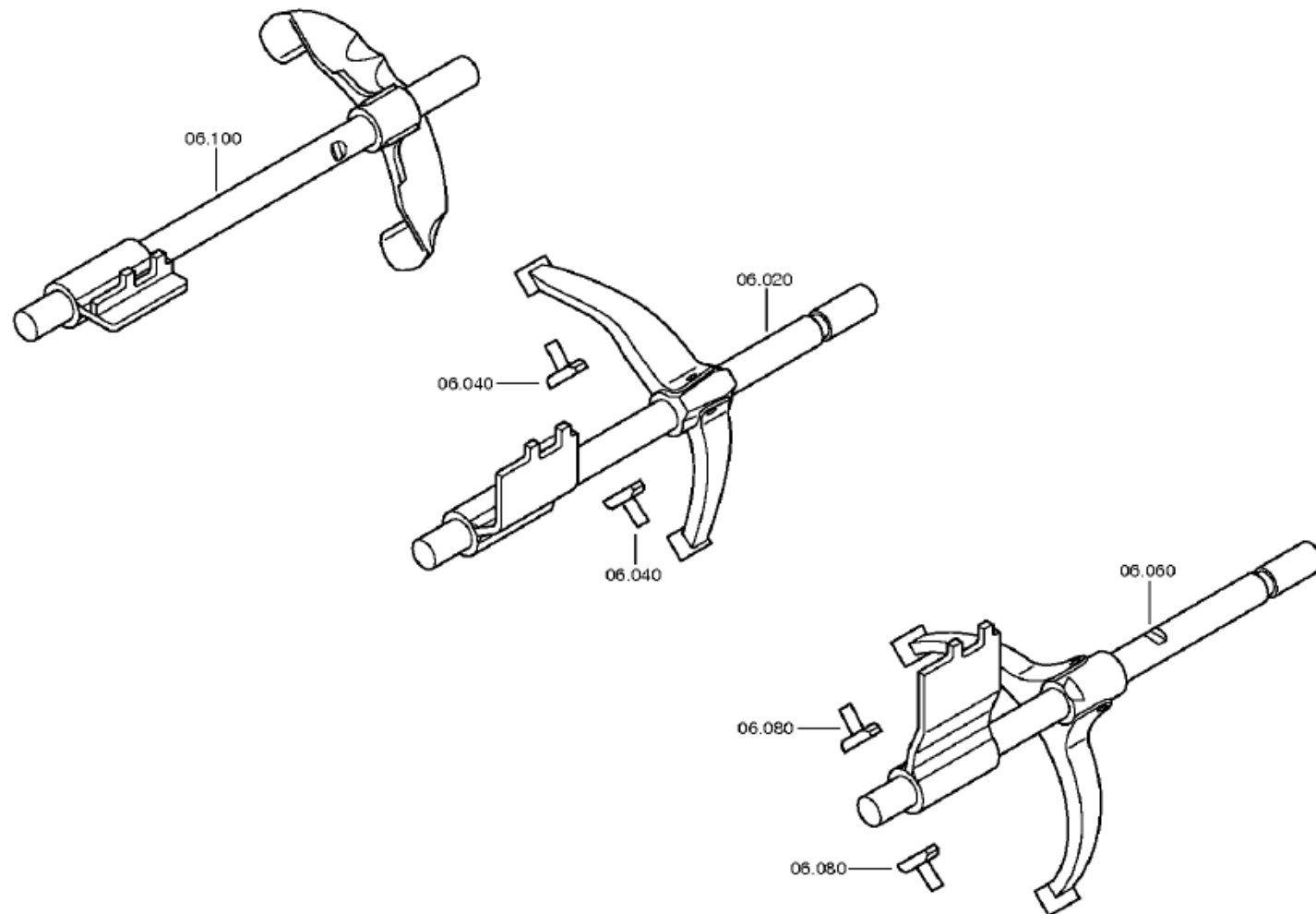


# Plant

Page 1 from 3

Material number: 1315.051.989  
Plant: 068.06.01-1  
GEAR SHIFT SYSTEM

16 S 151 / RENAULT  
GEAR SHIFT SYSTEM

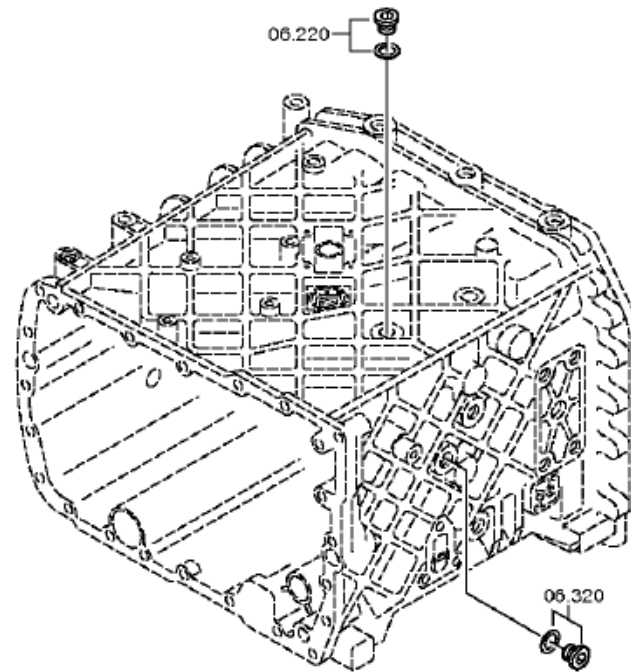


# Plant

Page 2 from 3

Material number: 1315.051.989  
Plant: 068.06.43-1  
GEAR SHIFT SYSTEM

16 S 151 / RENAULT  
GEAR SHIFT SYSTEM

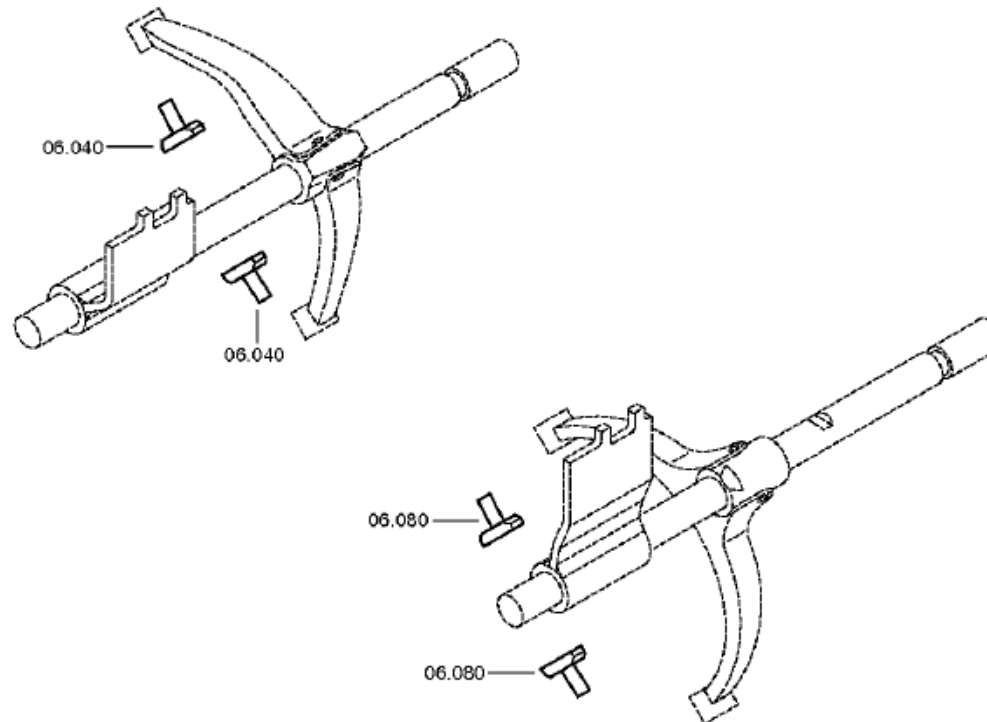


# Plant

Page 3 from 3

Material number: 1315.051.989  
Plant: 068.06.80-1  
GEAR SHIFT SYSTEM

16 S 151 / RENAULT  
GEAR SHIFT SYSTEM



# Parts list

Page 1 from 1

Material number: 1315.051.989

16 S 151 / RENAULT

Plant: 068.06.01-1

Material-assembly-group-no: 1315.106.008



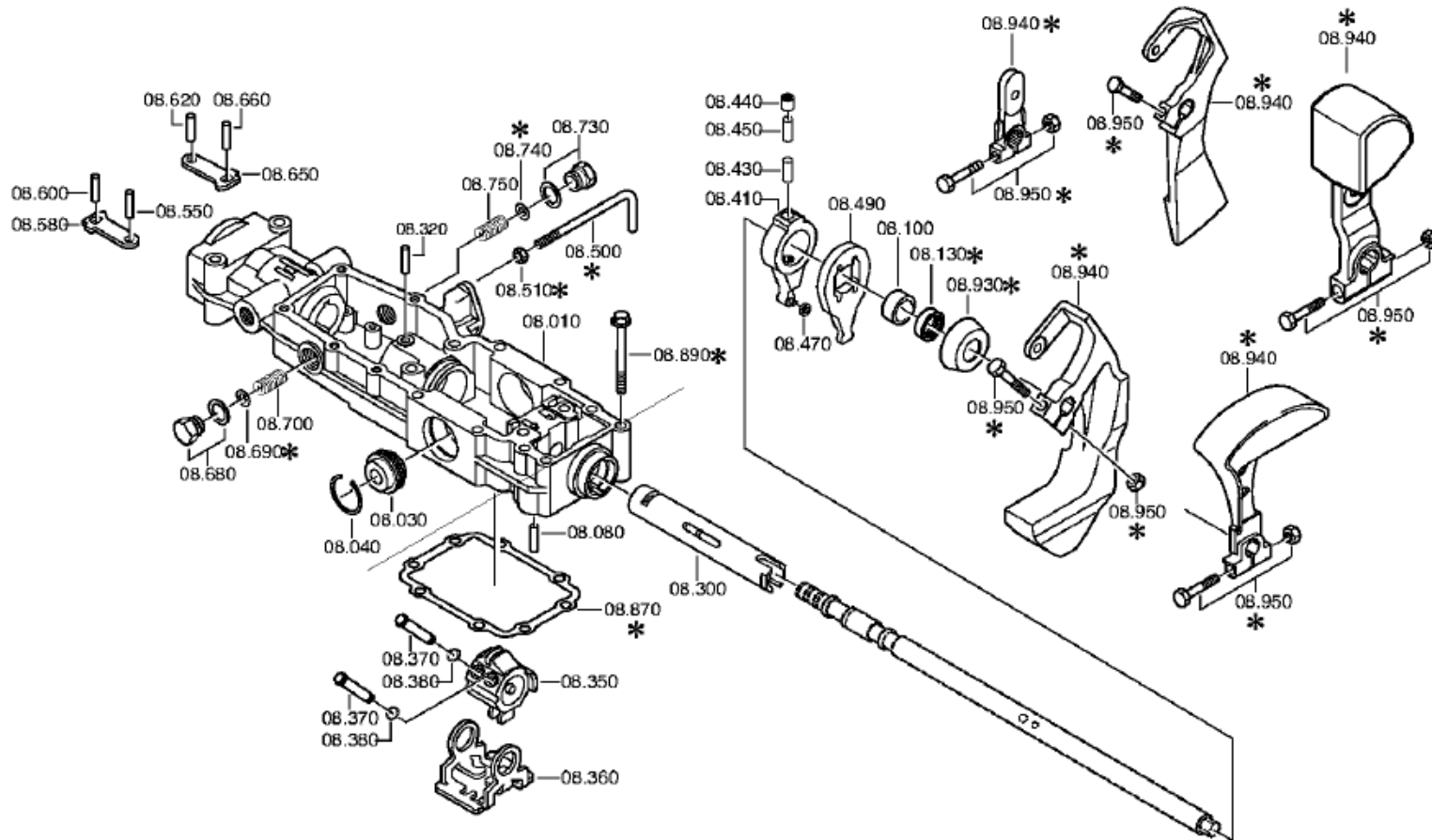
Pos.	Material number	Customer material	Name	Quantity	ME	Amend. no.	Techn. Info.	Weight	Rep kit	Alternative material
20	1315.206.076		GEAR SHIFT RAIL	1			1+2GANG*KURZ*WI	0,000		
/10	1315.306.099		GEAR SHIFT RAIL	1				0,000		
/20	1355.306.006		GEAR SHIFT FORK	1			1/2G	0,000		
40	1316.306.015		SLIDING PAD	2				0,000		
60	1315.206.079		GEAR SHIFT RAIL	1			3+4GANG*KURZ*WI	0,000		
/10	1315.306.106		GEAR SHIFT RAIL	1				0,000		
/20	1325.306.028		GEAR SHIFT FORK	1			3/4G	0,000		
/50	0631.329.086		SLOTPIN	1			8X40	7,800		
/60	0631.329.057		SLOTPIN	1			5X40	3,200		
80	1316.306.015		SLIDING PAD	2				0,000		
100	1315.206.083		GEAR SHIFT RAIL	1			R-GANG*KURZ*WI	0,000		
/10	1315.306.103		GEAR SHIFT RAIL	1				0,000		
/20	1355.306.003		GEAR SHIFT FORK	1			RG	0,000		
/50	0631.329.086		SLOTPIN	1			8X40	7,800		
/60	0631.329.057		SLOTPIN	1			5X40	3,200		
220	---		SCREW PLUG	1		Z00010111513	35N.M*DICHTRING M18X1,5	0,000		
---	0636.100.791		SCREW PLUG	1		Z00010111521	M18X1,5	0,000		
---	0634.801.062		SEALING RING	1		Z00010111521	18X24	0,001		
320	---		SCREW PLUG	1		Z00010111513	35N.M*DICHTRING M18X1,5	0,000		
---	0636.100.791		SCREW PLUG	1		Z00010111521	M18X1,5	0,000		
---	0634.801.062		SEALING RING	1		Z00010111521	18X24	0,001		

# Plant

Page 1 from 2

Material number: 1315.051.989  
Plant: 068.07.31-1  
GEAR SHIFT HOUSING

16 S 151 / RENAULT  
GEAR SHIFT HOUSING

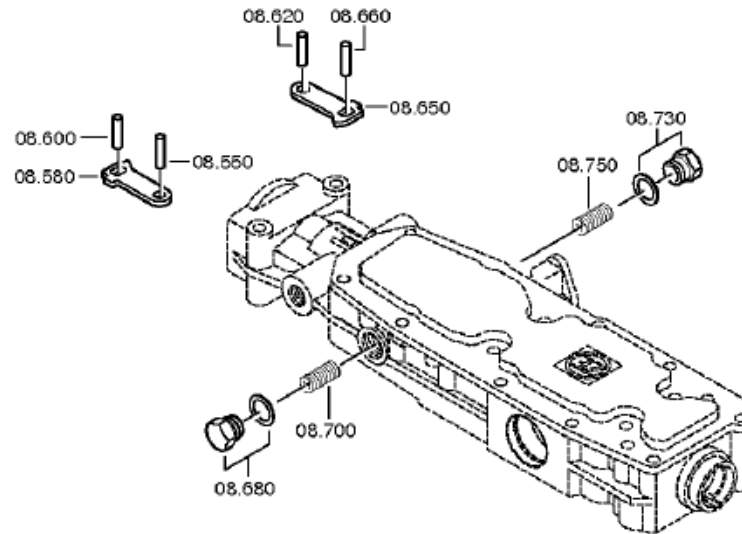


# Plant

Page 2 from 2

Material number: 1315.051.989  
Plant: 068.07.56-1  
GEAR SHIFT HOUSING

16 S 151 / RENAULT  
GEAR SHIFT HOUSING



# Parts list

Page 1 from 2

Material number: 1315.051.989

16 S 151 / RENAULT

Plant: 068.07.31-1

Material-assembly-group-no: 1316.108.838



Pos.	Material number	Customer material	Name	Quantity	ME	Amend. no.	Techn. Info.	Weight	Rep kit	Alternative material
10	1315.307.383		GEAR SHIFT HOUSING	1				0,000		
30	0501.209.212		DETENT	1			KPL.	0,000		
40	0630.532.130		V-RING	1				0,000		
80	0631.306.123		CYLINDRICAL PIN	1			8X24	10		
100	0730.260.703		BUSH	1			A=13,70	0,000		
130	0734.309.765		SHAFT SEAL	1		C01005906F10	28X42X11 FA.SKT	0,000		
300	1315.307.294		QUILL SHAFT	1			ENTHALT.IN 1315.307.293(1)	0,000		
320	0731.201.702		PIN	1				0,000		
350	1315.307.735		DRIVER	1		Z00011746811		0,000		
360	1315.307.218		LOCKING PIECE	1				0,000		
370	1316.208.003		PIN	2			KPL.	0,000		
380	0630.501.006		RETAINING RING	2			10X1	0,410		
410	1316.208.002		VALVE LEVER	1			KPL.	0,000		
430	0731.201.732		PIN	1				0,000		
440	0635.303.019		NEEDLE BUSH	1			10X14X15	0,000		
450	0731.201.732		PIN	1				0,000		
470	1315.307.226		ROLLER	1				0,000		
490	1315.307.292		LEVER	1				0,000		
500	1315.307.515		BRACKET	1				0,000		
510	0637.006.280		HEXAGON NUT	1		Z00007282715	M8	0,000		
550	0631.306.832		CYLINDRICAL PIN	1			6X20	0,000		
580	1315.307.203		DETENT LEVER	1				0,000		
600	0631.306.832		CYLINDRICAL PIN	1			6X20	0,000		
620	0631.306.832		CYLINDRICAL PIN	1			6X20	0,000		
650	1315.307.203		DETENT LEVER	1				0,000		
660	0631.306.832		CYLINDRICAL PIN	1			6X20	0,000		
680	---		SCREW	1		Z00010146310	M22X1,5	0,000		
---	1315.307.736		SCREW	1		Z00010146312	M22X1,5	0,000		
---	0730.009.515		SEALING RING	1		Z00010146312	A22X27	0,000		
700	0732.041.612		COMPRSPRING	1				0,000		

## Parts list

Page 2 from 2

Material number: 1315.051.989

16 S 151 / RENAULT

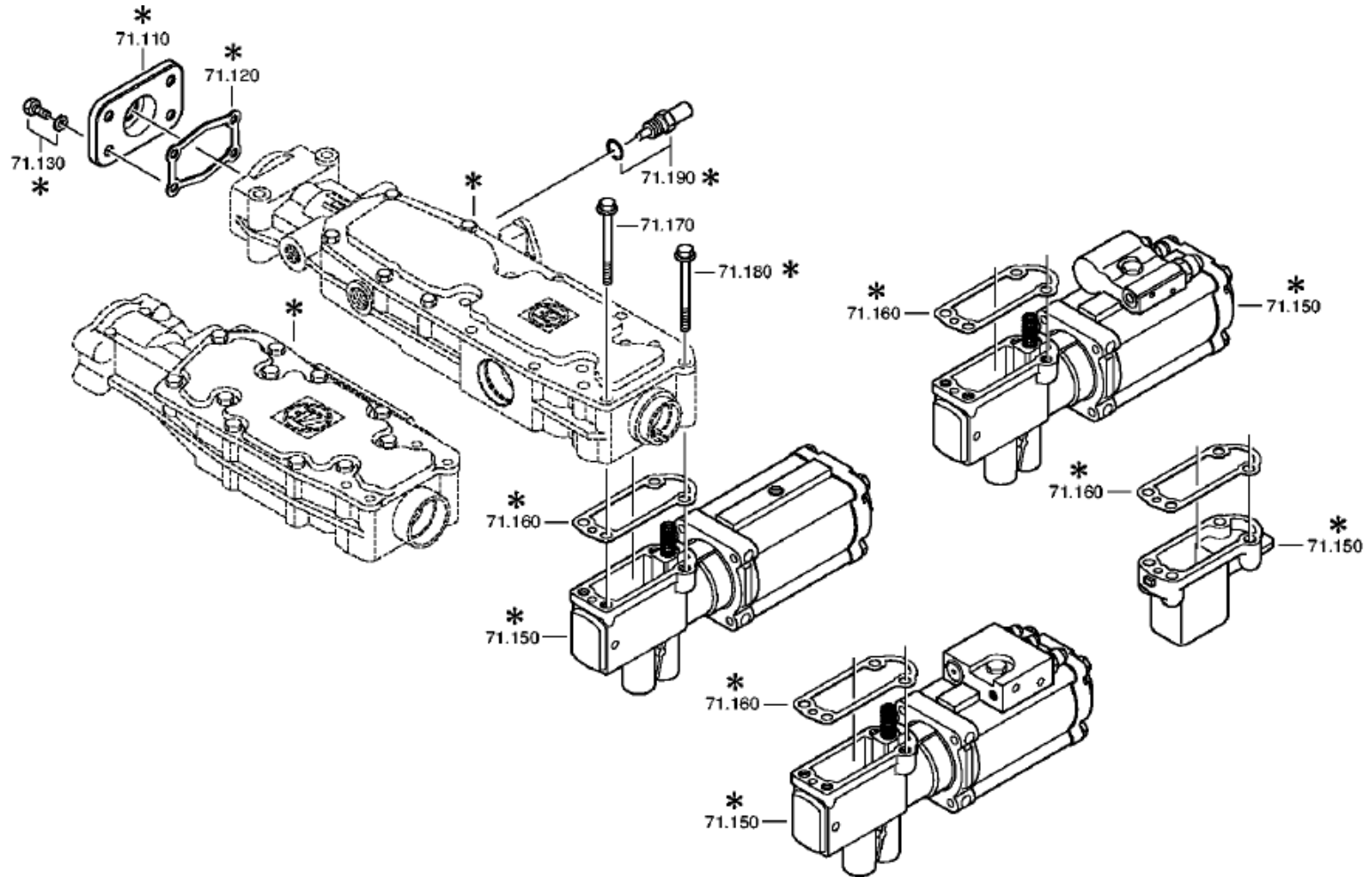
Plant: 068.07.31-1

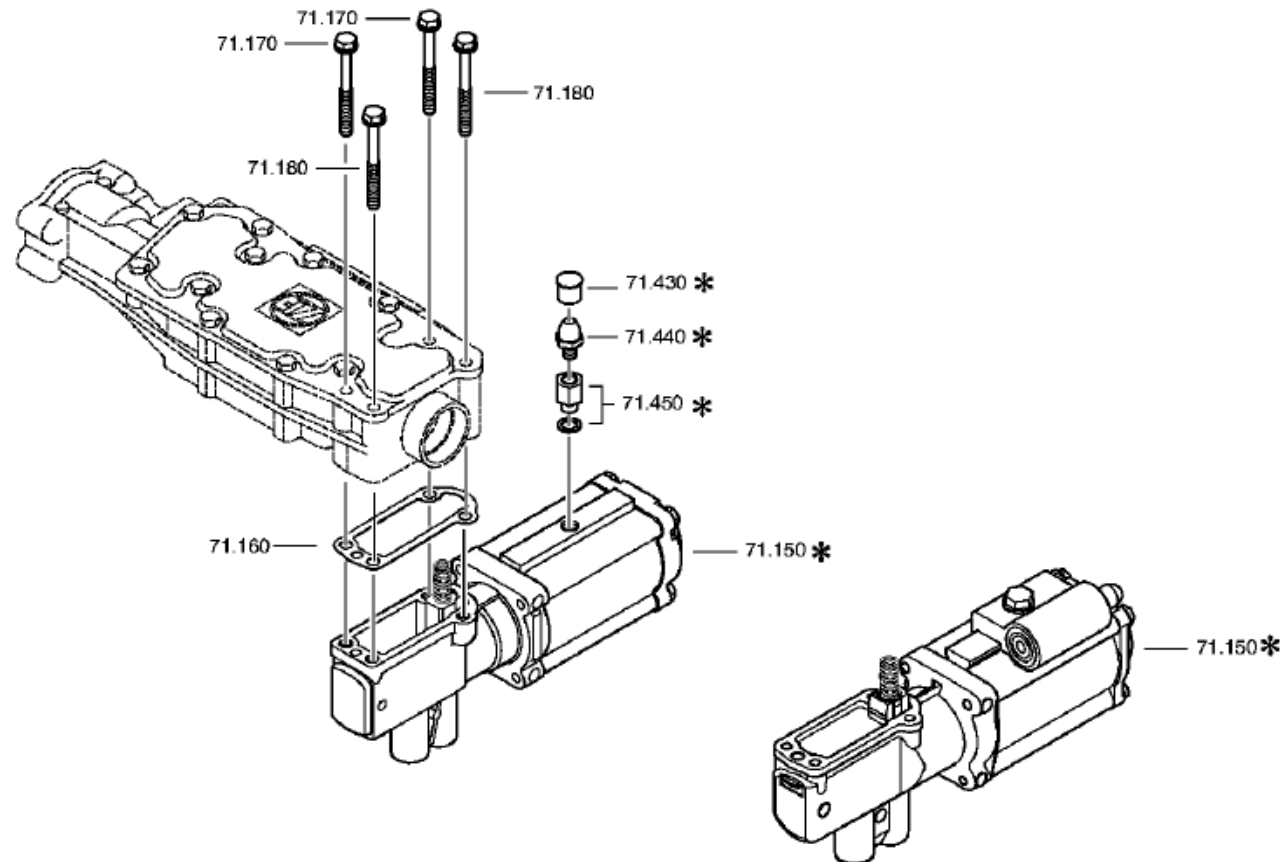
Material-assembly-group-no: 1316.108.838



Pos.	Material number	Customer material	Name	Quantity	ME	Amend. no.	Techn. Info.	Weight	Rep kit	Alternative material
730	---		SCREW	1		Z00010146310	M22X1,5	0,000		
---	1315.307.736		SCREW	1		Z00010146312	M22X1,5	0,000		
---	0730.009.515		SEALING RING	1		Z00010146312	A22X27	0,000		
750	0732.041.612		COMPRSPRING	1				0,000		
870	1315.307.013		GASKET	1				0,000		
890	0736.300.137		HEXAGON BOLT	8		Z00009195410	M8X80 M8X80	0,000		
930	1341.307.104		PROTECTING CAP	1		C01007034F10		0,000		
940	1315.307.421		GEAR SHIFT LEVER	1				0,000		
950	---		BOLT+NUT	1		Z00012297710	M10X65	0,000		
---	0636.100.713		HEXAGON BOLT	1		Z00007890810	M10X65	0,000		
---	0637.100.419		HEXAGON NUT	1		Z00007892710	M10	0,000		







# Parts list

Page 1 from 1

Material number: 1315.051.989

16 S 151 / RENAULT

Plant: 062.08.30-1

Material-assembly-group-no: 1316.171.403



Pos.	Material number	Customer material	Name	Quantity	ME	Amend. no.	Techn. Info.	Weight	Rep kit	Alternative material
110	1341.307.113		COVER	1		Z00009271410		0,000		
130	---		HEXAGON BOLT	4		Z00007891111	M8X20	0,000		
---	0636.100.796		HEXAGON BOLT	4		Z00007891120	M8X20	0,000		
---	0630.100.295		WASHER	4		Z00007158414		0,000		
150	0501.211.290		PNEUMSERVUNIT	1			KPL.	0,000		
160	1315.307.242		GASKET	1				0,000		
170	0736.300.137		HEXAGON BOLT	2		Z00009195410	M8X80 M8X80	0,000		
180	---		HEXAGON BOLT	2		Z00009195410	M8X80	0,000		
---	0736.300.137		HEXAGON BOLT	2		Z00009195414	M8X80 M8X80	0,000		
---	0666.790.033		SEALCOMPOUND	2		Z00009195414		0,310		

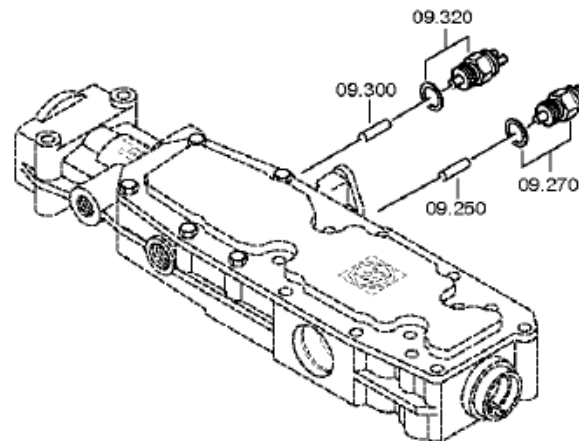


# Plant

Page 2 from 2

Material number: 1315.051.989  
Plant: 068.09.11-1  
CONNECTING PARTS

16 S 151 / RENAULT  
CONNECTING PARTS



# Parts list

Page 1 from 1

Material number: 1315.051.989

16 S 151 / RENAULT

Plant: 068.09.01-1

Material-assembly-group-no: 1316.109.022



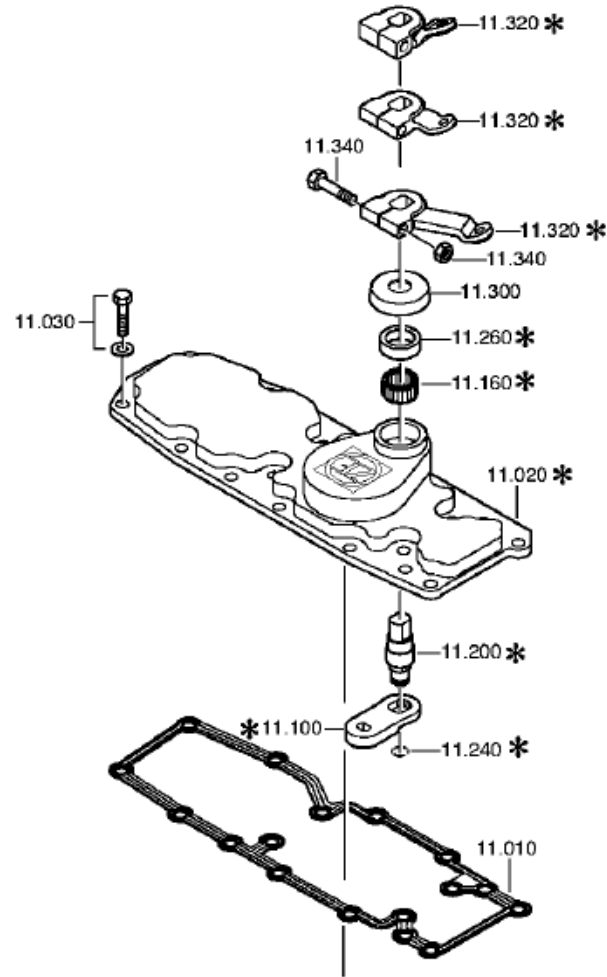
Pos.	Material number	Customer material	Name	Quantity	ME	Amend. no.	Techn. Info.	Weight	Rep kit	Alternative material
10	6038.202.043		CUT-OFF VALVE	1		C01002143C10	KPL.H-H* ZULUFTDROSSEL 1,55	0,000		
30	0501.209.188		BALL ROLLER	1			KPL.	0,000		
50	0501.209.188		BALL ROLLER	1			KPL.	0,000		
70	0634.313.505		O-RING	1			42X3	0,000		
90	---		HEXAGON BOLT	4		Z00007054112	M8X65	0,000		
---	0636.100.519		HEXAGON BOLT	4		Z00007054110	M8X65	0,000		
---	0630.100.295		WASHER	4		Z00007158414		0,000		
150	---		SCREW	1		Z00010146310	M22X1,5	0,000		
---	1315.307.736		SCREW	1		Z00010146312	M22X1,5	0,000		
---	0730.009.515		SEALING RING	1		Z00010146312	A22X27	0,000		
160	1315.307.384		BOLT	1		C01003958B10	ENTHALT.IN 1250 307 589(2)	0,000		
170	0732.041.612		COMPRSPRING	1				0,000		
250	0731.201.446		PIN	1			ENTHALT.IN 0731 201 445(2)	0,000		
270	---		SWITCH	1		Z00004287211	OEFF*45N.M* DICHTRING* BAJONETT* SCHUTZKAPPE	0,000		
---	0501.216.474		SWITCH	1				0,050		
---	0634.801.062		SEALING RING	1			18X24	0,001		
---	0700.300.427		PROTECTING CAP	1				0,005		
300	0731.208.256		PIN	1			A=30,0	0,000		
320	---		SWITCH	1		Z00004287211	SCHL*45N.M* DICHTRING* BAJONETT* SCHUTZKAPPE	0,000		
---	0501.210.058		SWITCH	1			KPL.	0,000		
---	0634.801.062		SEALING RING	1			18X24	0,001		
---	0700.300.427		PROTECTING CAP	1				0,005		

# Plant

Page 1 from 1

Material number: 1315.051.989  
Plant: 068.10.02-1  
SELECTOR LEVER

16 S 151 / RENAULT  
SELECTOR LEVER



# Parts list

Page 1 from 1

Material number: 1315.051.989

16 S 151 / RENAULT

Plant: 068.10.02-1

Material-assembly-group-no: 1316.111.802



Pos.	Material number	Customer material	Name	Quantity	ME	Amend. no.	Techn. Info.	Weight	Rep kit	Alternative material
10	0501.324.072		GASKET	1		C01003353F10		0,000		
20	1315.307.336		COVER	1				0,000		
30	---		HEXAGON BOLT	5			M8X25	0,000		
---	0636.016.401		HEXAGON BOLT	5			M8X25	0,000		
---	0630.100.295		WASHER	5		Z00007158414		0,000		
100	1315.307.375		SELECTOR LEVER	1				0,000		
160	0635.303.007		NEEDLE SLEEVE	1			22X28X10	0,000		
200	1315.307.346		SELECTOR SHAFT	1				0,000		
240	0630.531.240		V-RING	1				0,000		
260	---		SHAFT SEAL	1			20X30X7	0,000		
---	0734.309.392		SHAFT SEAL	1			20X30X7 FA.CFW	0,000		
300	0501.324.645		PROTECTING CAP	1		Z00002098310		0,000		
320	1316.307.428		SELECTOR LEVER	1		Z00011099010	U584	0,000		
340	---		BOLT+NUT	1			M10X50	0,000		
---	0636.011.756		HEXAGON BOLT	1			M10X50	0,000		
---	0637.100.419		HEXAGON NUT	1		Z00007892710	M10	0,000		



# Plant

Page 1 from 1

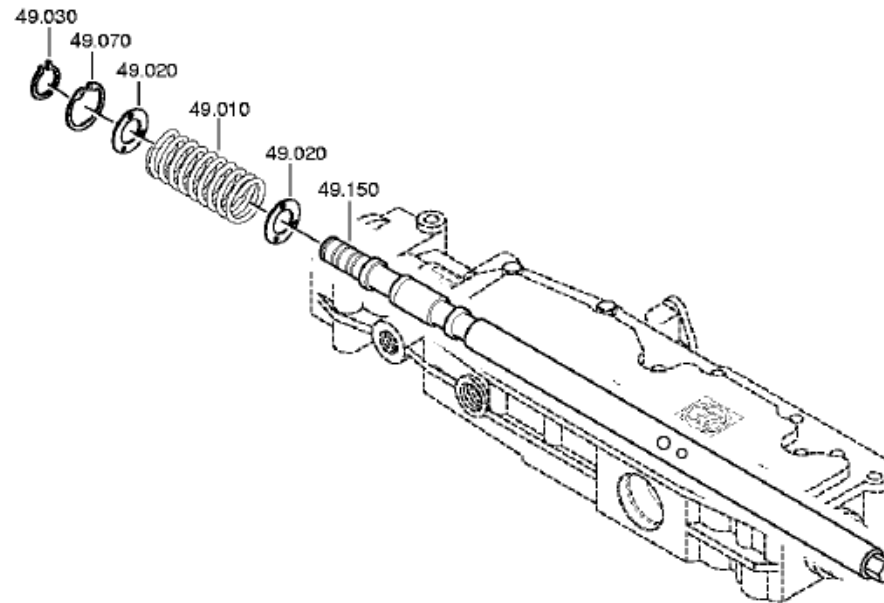
Material number: 1315.051.989

Plant: 068.12.12-1

Material-assembly-group-no: 1316.149.430

16 S 151 / RENAULT

SET OF SPRINGS



# Parts list

Page 1 from 1

Material number: 1315.051.989

16 S 151 / RENAULT

Plant: 068.12.12-1

Material-assembly-group-no: 1316.149.430



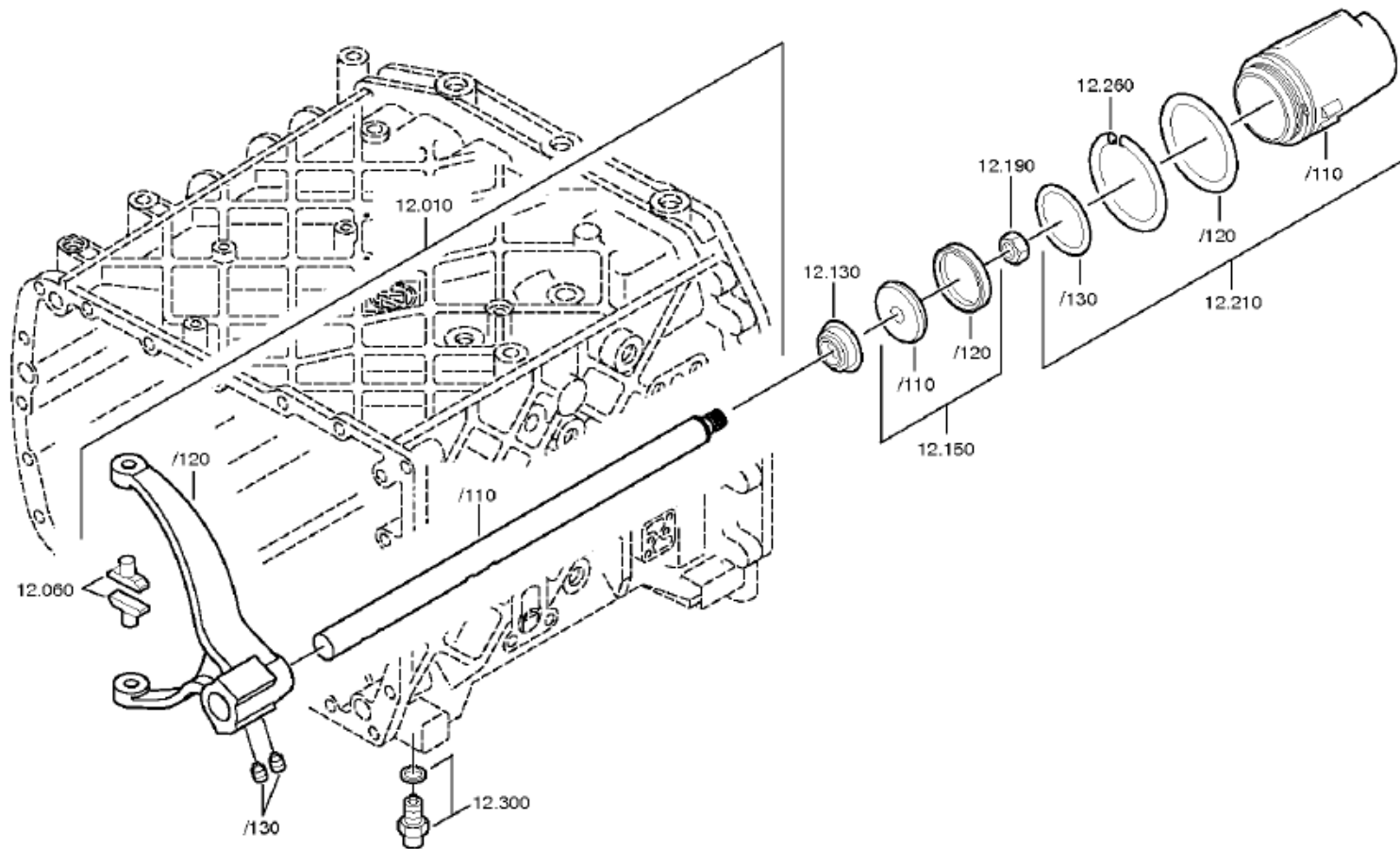
Pos.	Material number	Customer material	Name	Quantity	ME	Amend. no.	Techn. Info.	Weight	Rep kit	Alternative material
10	0732.042.684		COMPRSPRING	1				0,000		
20	0730.301.376		WASHER	2		Z00008917410		0,000		
30	0630.532.138		V-RING	1				0,000		
70	0630.502.022		RETAINING RING	1			40X1,75	4,800		
150	1315.307.376		GEAR SHIFT SHAFT	1			LI	0,000		

# Plant

Page 1 from 2

Material number: 1315.051.989  
Plant: 068.40.04-1  
GV-SHIFT SYSTEM

16 S 151 / RENAULT  
GV-SHIFT SYSTEM

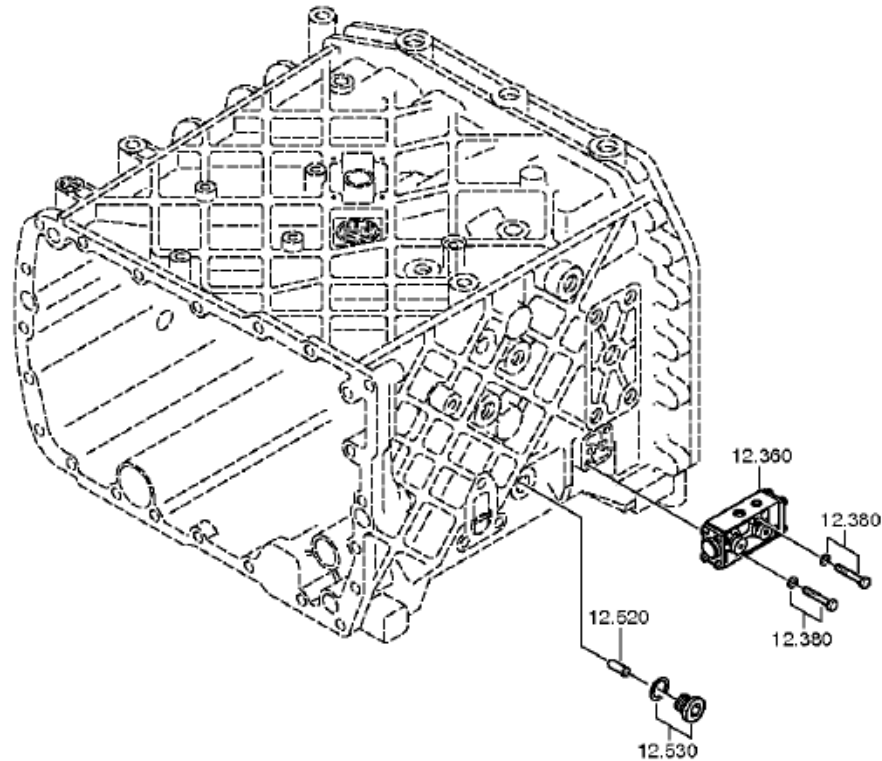


# Plant

Page 2 from 2

Material number: 1315.051.989  
Plant: 068.40.40-1  
GV-SHIFT SYSTEM

16 S 151 / RENAULT  
GV-SHIFT SYSTEM



# Parts list

Page 1 from 2

Material number: 1315.051.989

16 S 151 / RENAULT

Plant: 068.40.04-1

Material-assembly-group-no: 1315.112.014



Pos.	Material number	Customer material	Name	Quantity	ME	Amend. no.	Techn. Info.	Weight	Rep kit	Alternative material
10	1315.212.013		GEAR SHIFT RAIL	1			KPL.GV.LAG.GEH.1	0,000		
/110	1315.312.073		GEAR SHIFT RAIL	1				0,000		
/120	1315.312.074		GEAR SHIFT FORK	1			GV ECO 3	0,000		
/130	---		SET SCREW	2			M12X1	0,000		
---	1315.312.047		SET SCREW	2				0,000		
60	1316.306.015		SLIDING PAD	2				0,000		
130	0750.112.131		FLANGE PACKING	1		Z00003588010	25X40X15	0,000		
150	1315.212.008		PISTON	1			KPL.	0,000		
/110	---		PISTON	1			GV SINTER/STAHL	0,000		
---	1315.312.020		PISTON	1			GV	0,000		
---	1315.312.003		PISTON	1			GV	0,000		
/120	0750.112.177		DOUBLE U-PACKING	1			55X63X9,4	0,000		
190	0737.300.037		LOCKING NUT	1		Z00008929010	MS16X1,5	0,000		
210	1315.212.010		CYLINDER	1			KPL.	0,000		
/110	1315.312.048		CYLINDER	1			ENTHALT.IN 1315 312 033(1)	0,000		
/120	0634.313.018		O-RING	1			82X3	0,000		
/130	0634.313.320		O-RING	1			67X3	0,000		
260	1315.312.034		SPRING	1				0,000		
300	---		DETENT PLUNGER	1			235N*50N.M	0,000		
---	1324.207.033		DETENT PLUNGER	1			KPL. *235 N	0,000		
---	0730.008.604		SEALING RING	1		C01009860C10		0,000		
360	0501.215.358		5/2 WAY VALVE	1		C01004006F10	KPL.BG	0,000		
/20	0634.314.020		O-RING	1			8X2	0,000		
/22	0634.314.020		O-RING	1			8X2	0,000		
380	---		HEXAGON BOLT	2			M6X40	0,000		
---	0636.010.740		HEXAGON BOLT	2			M6X40	0,000		
---	0630.001.139		WASHER	2		Z00007164311		0,000		
520	1295.212.006		PIN	1			KPL.	0,000		
530	---		SCREW PLUG	1		Z00010111513	35N.M*DICHTRING M18X1,5	0,000		

# Parts list

Page 2 from 2

Material number: 1315.051.989

16 S 151 / RENAULT

Plant: 068.40.04-1

Material-assembly-group-no: 1315.112.014



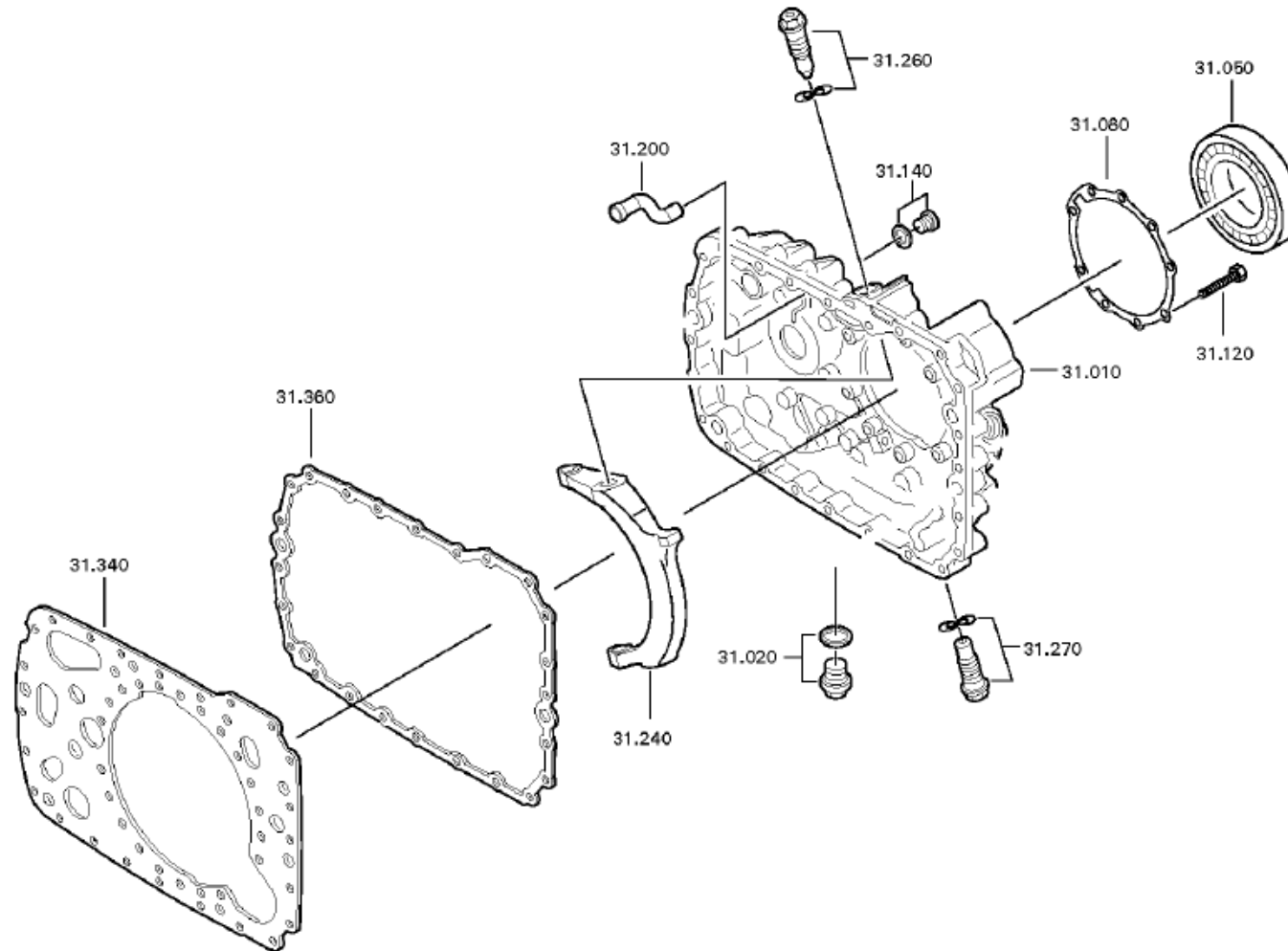
Pos.	Material number	Customer material	Name	Quantity	ME	Amend. no.	Techn. Info.	Weight	Rep kit	Alternative material
---	0636.100.791		SCREW PLUG	1		Z00010111521	M18X1,5	0,000		
---	0634.801.062		SEALING RING	1		Z00010111521	18X24	0,001		

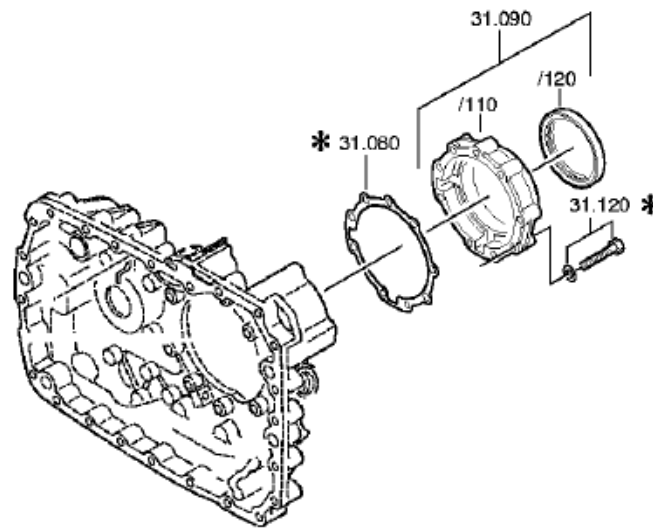
# Plant

Page 1 from 5

Material number: 1315.051.989  
Plant: 068.43.06-1  
GP HOUSING

16 S 151 / RENAULT  
COVER





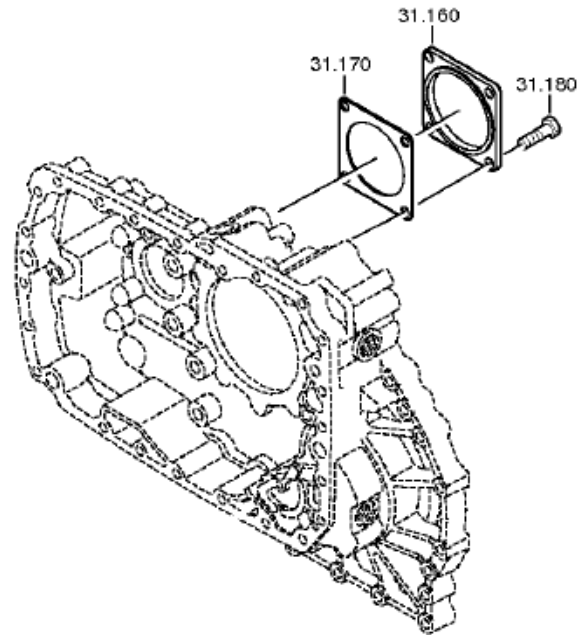


# Plant

Page 3 from 5

Material number: 1315.051.989  
Plant: 068.43.40-1  
GP HOUSING

16 S 151 / RENAULT  
COVER

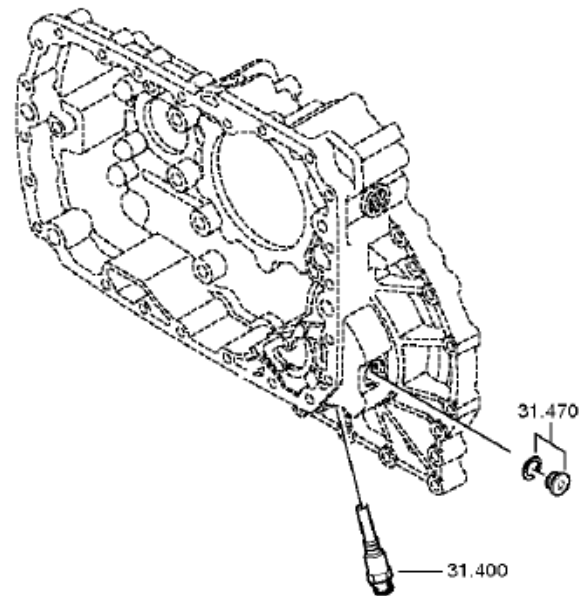


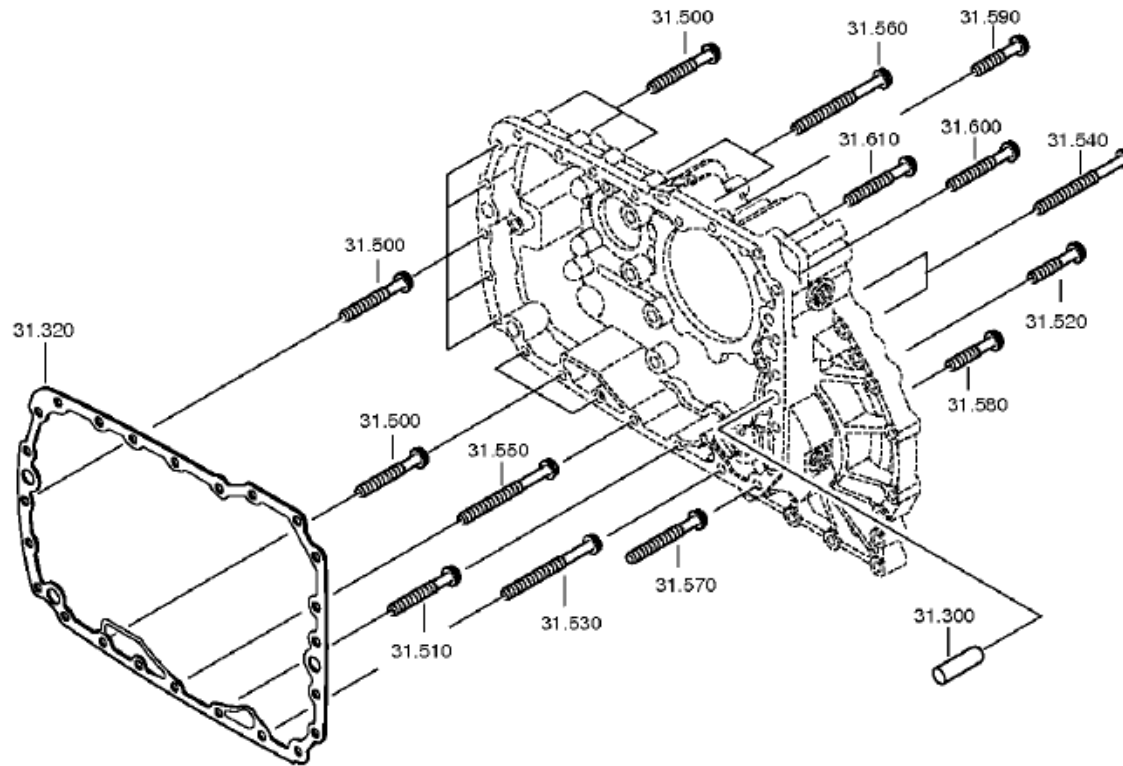
# Plant

Page 4 from 5

Material number: 1315.051.989  
Plant: 068.43.41-1  
GP HOUSING

16 S 151 / RENAULT  
COVER





# Parts list

Page 1 from 2

Material number: 1315.051.989

16 S 151 / RENAULT

Plant: 068.43.06-1

Material-assembly-group-no: 1315.131.047



Pos.	Material number	Customer material	Name	Quantity	ME	Amend. no.	Techn. Info.	Weight	Rep kit	Alternative material
10	1315.301.224		HOUSING	1			ENTHALT.IN 1315 301 222(0)	0,000		
20	---		SCREW PLUG	1		Z00010112111	60N.M*DICHTRING M24X1,5	0,000		
---	0636.304.088		SCREW PLUG	1		Z00010112110	M24X1,5	0,000		
---	0730.008.637		SEALING RING	1		Z00010112110	A24X29	0,000		
50	0750.116.394		BALL BEARING	1		C01007214E10		0,000		
80	1315.331.001		GASKET	1		C01005350C10		0,000		
90	1315.231.004		COVER	1			KPL.	0,000		
/120	0750.111.341		SHAFT SEAL	1			105X130X12	0,000		
120	0636.016.405		HEXAGON BOLT	9		Z00007060111	M10X60	0,000		
140	---		SCREW PLUG	1		C01004359F10	15N.M*DICHTRING M10X1	0,000		
---	0636.100.793		SCREW PLUG	1		Z00010111613	M10X1	0,000		
---	0730.008.055		SEALING RING	1			A10X14	0,000		
160	1328.301.170		COVER	1		Z00008068010		0,000		
170	1238.308.201		GASKET	1			ENTHALT.IN 1238 308 202(2)	0,000		
180	0636.016.406		HEXAGON BOLT	4		Z00007061014	M12X25	0,000		
200	1296.301.008		SPRAY TUBE	1				0,000		
240	1315.334.039		GEAR SHIFT FORK	1				0,000		
260	---		ARTICULATION BOLT	1		Z00004075611	O.SCHEIBE M24X1,5 SK6	0,000		
---	1315.334.074		ARTICULATION BOLT	1		Z00004075610		0,000		
270	---		ARTICULATION BOLT	1		Z00004075611	O.SCHEIBE M24X1,5 SK6	0,000		
---	1315.334.074		ARTICULATION BOLT	1		Z00004075610		0,000		
300	0731.201.563		CYLINDRICAL PIN	3				0,000		
320	1316.301.042		GASKET	1				0,000		
340	1315.301.118		INTERMPLATE	1			ENTHALT.IN 1315 301 144(0)	0,000		

# Parts list

Page 2 from 2

Material number: 1315.051.989

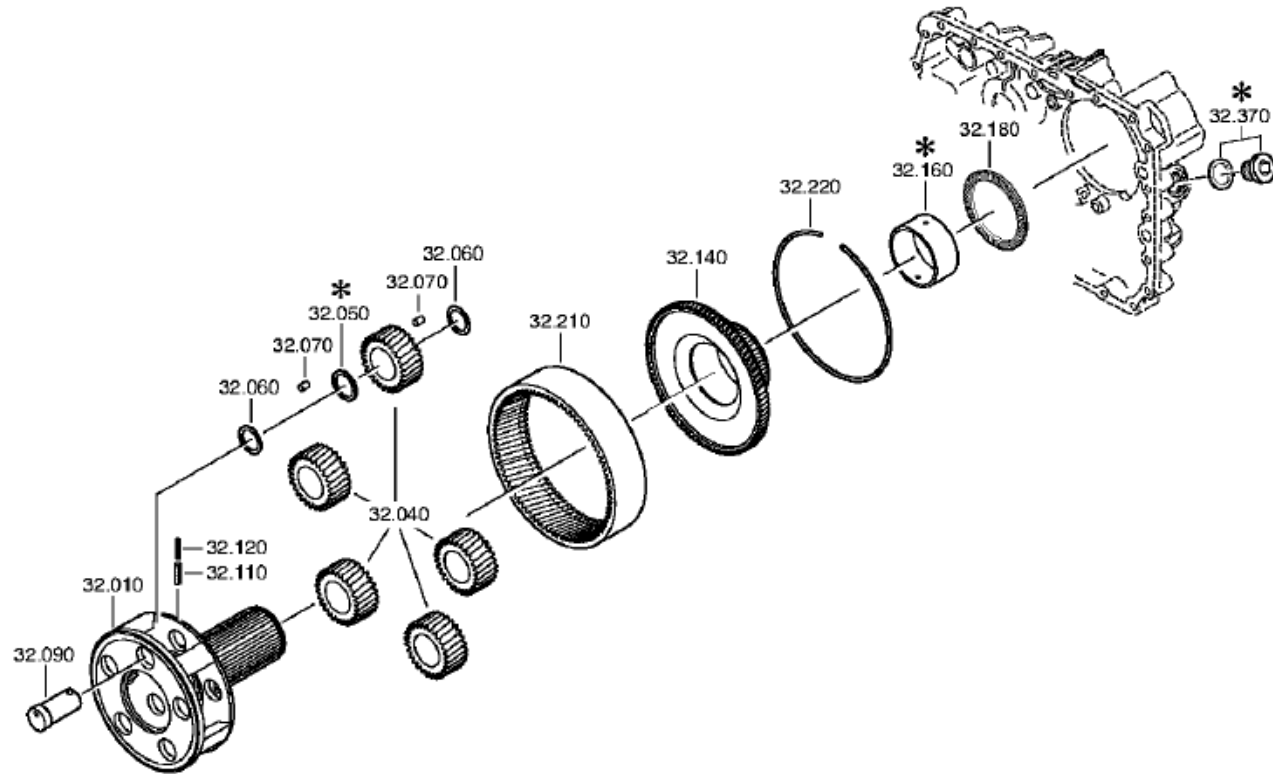
16 S 151 / RENAULT

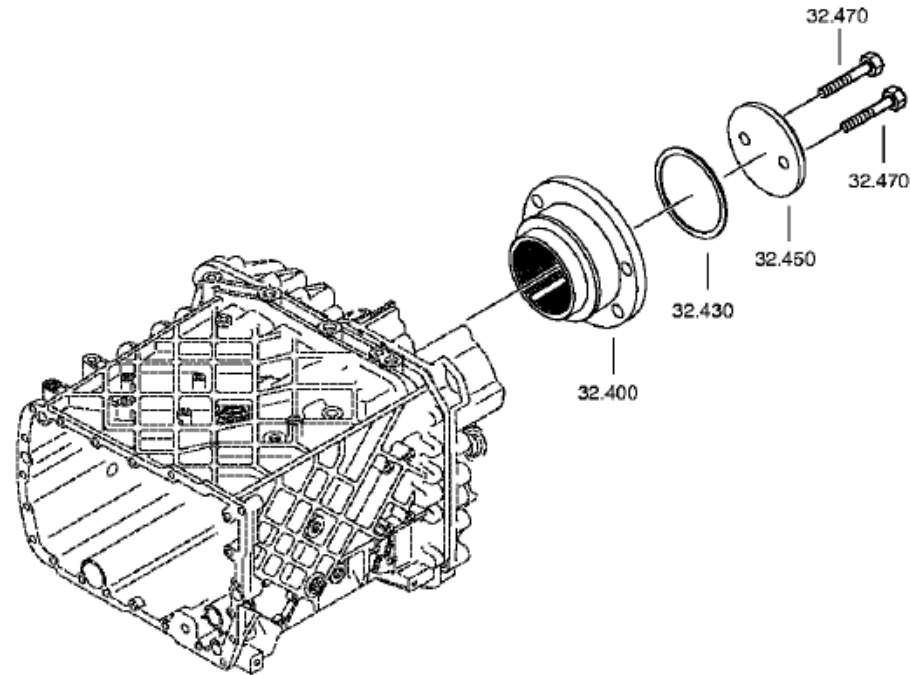
Plant: 068.43.06-1

Material-assembly-group-no: 1315.131.047



Pos.	Material number	Customer material	Name	Quantity	ME	Amend. no.	Techn. Info.	Weight	Rep kit	Alternative material
360	1316.301.042		GASKET	1				0,000		
400	---		PULSE SENSOR	1		Z00004287211	35N.M*FLAE.DICHTG* BAJO*KITAS2*EXPL. GESCH*SOLO*L=90,0* SCHUKA	0,000		
---	0501.214.769		PULSE SENSOR	1		Z00004287210	KPL.	0,000		
---	0666.790.033		SEALCOMPOUND	1		Z00004287210		0,310		
---	0700.300.427		PROTECTING CAP	1		Z00004287210		0,005		
470	---		SCREW PLUG	1		Z00010111513	35N.M*DICHTRING M18X1,5	0,000		
---	0636.100.791		SCREW PLUG	1		Z00010111521	M18X1,5	0,000		
---	0634.801.062		SEALING RING	1		Z00010111521	18X24	0,001		
500	0736.300.123		HEXAGON BOLT	11			M10X70 M10X70	0,000		
510	0736.300.123		HEXAGON BOLT	1			M10X70 M10X70	0,000		
520	0736.300.123		HEXAGON BOLT	1			M10X70 M10X70	0,000		
530	0736.300.123		HEXAGON BOLT	1			M10X70 M10X70	0,000		
540	0736.300.122		HEXAGON BOLT	2		Z00009403110	M10X110 M10X110	0,000		
550	0736.300.134		HEXAGON BOLT	1		Z00011103210	M10X45 M10X45	0,000		
560	0736.300.123		HEXAGON BOLT	2			M10X70 M10X70	0,000		
570	0736.300.123		HEXAGON BOLT	1			M10X70 M10X70	0,000		
580	0736.300.123		HEXAGON BOLT	1			M10X70 M10X70	0,000		
590	0736.300.134		HEXAGON BOLT	1		Z00011103210	M10X45 M10X45	0,000		
600	0736.300.123		HEXAGON BOLT	1			M10X70 M10X70	0,000		
610	0736.300.123		HEXAGON BOLT	1			M10X70 M10X70	0,000		





# Parts list

Page 1 from 1

Material number: 1315.051.989

16 S 151 / RENAULT

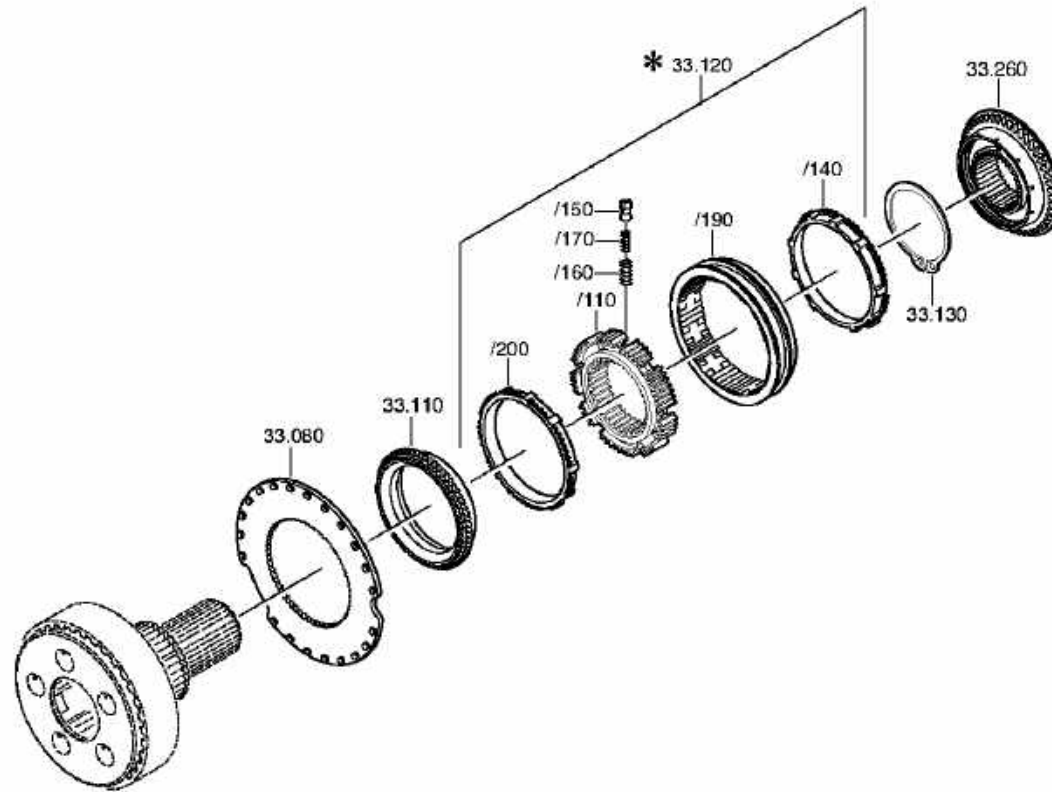
Plant: 068.44.07-1

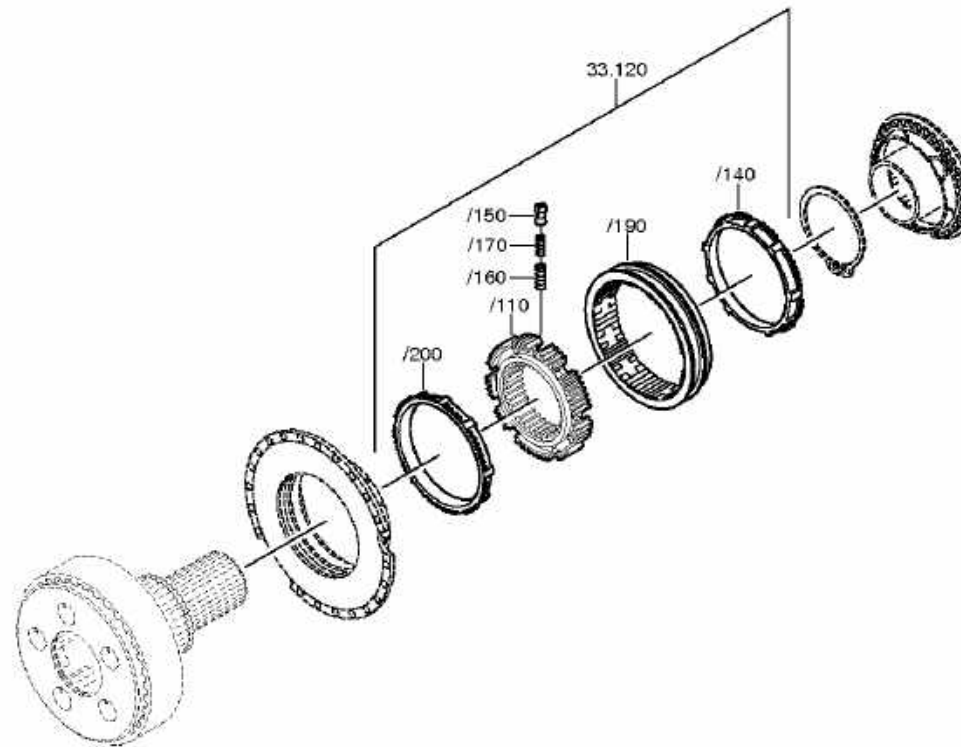
Material-assembly-group-no: 1315.132.015



Pos.	Material number	Customer material	Name	Quantity	ME	Amend. no.	Techn. Info.	Weight	Rep kit	Alternative material
10	1315.232.017		PLANET CARRIER	1		C01003197C10	KPL.4,565*SV-GP*FL. PROF.90	0,000		
40	1315.232.010		PLANET GEAR SET	1			KPL.	0,000		
60	0730.107.168		INTERMWASHER	15			A=1,00 IN 0730 105 951(2)	0,000		
70	0750.119.116		ROLLER	140			10,0X16,8	0,000		
90	1315.332.053		PLANET SHAFT	5		C01007226B10	ENTHALT.IN 1316 332 037(2)	0,000		
110	0631.329.051		SLOTPIN	5			5X26	0,002		
120	0631.329.167		SLOTPIN	5			3X26	1		
140	1316.332.130		RING GEAR CARRIER	1		C01007305F10		0,000		
160	1316.333.014		INTERMRING	1				0,000		
180	0735.298.169		AXIAL NEEDLE BEARING	1			104,5X128,4X10,0 FA.INA	0,000		
210	1315.332.041		RING GEAR	1			IN 1316 332 055(1)	0,000		
220	0730.513.583		LOCKING WIRE	1			A=3,20 IN 0730 505 052(2)	0,000		
400	1316.332.125		OUTPUT FLANGE	1				0,000		
430	0634.313.805		O-RING	1			82X4	0,000		
450	1312.332.028		WASHER	1				0,000		
470	0636.011.777		HEXAGON BOLT	2		Z00007292012	M12X60	0,000		







# Parts list

Page 1 from 1

Material number: 1315.051.989

16 S 151 / RENAULT

Plant: 068.45.04-1

Material-assembly-group-no: 1316.133.008



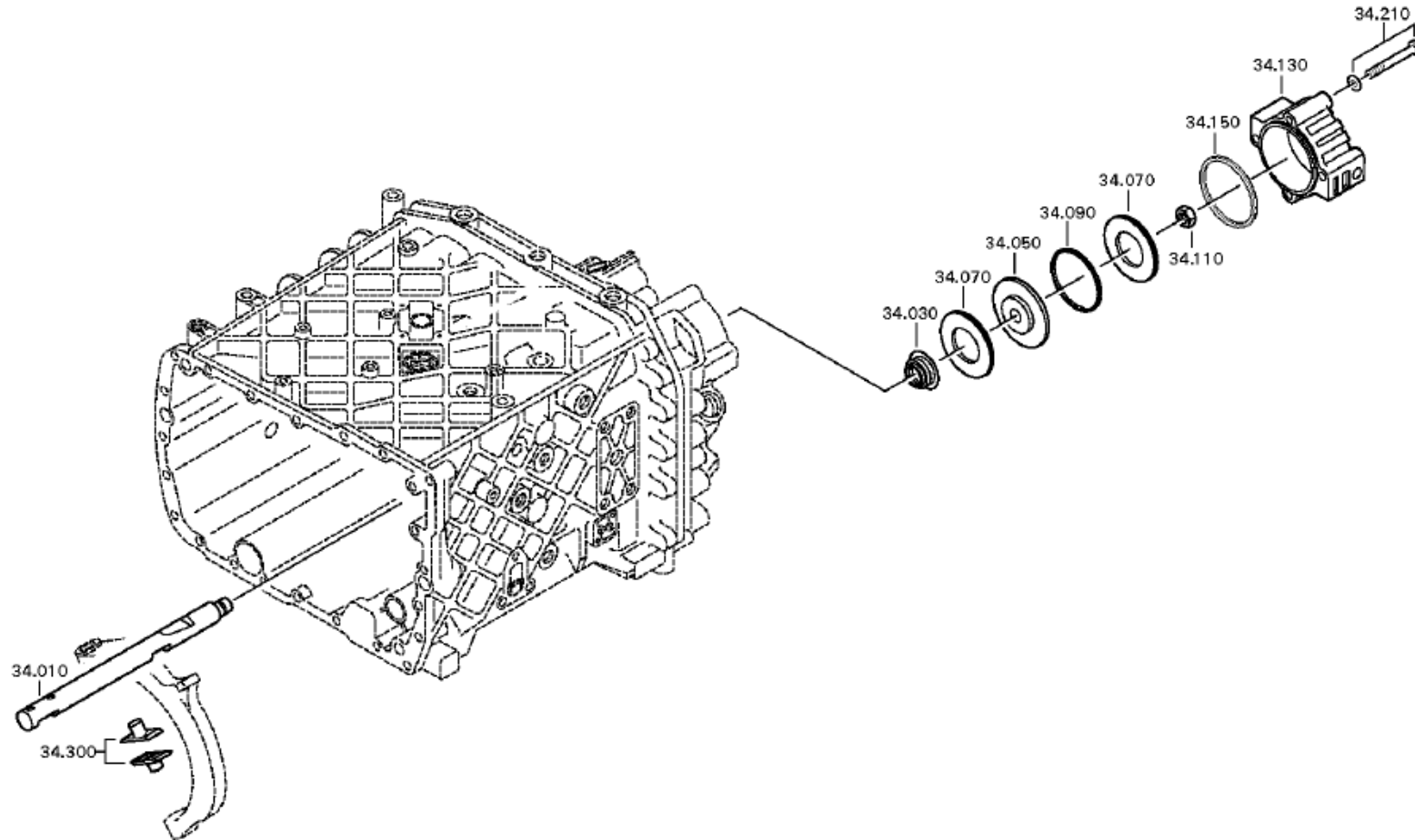
Pos.	Material number	Customer material	Name	Quantity	ME	Amend. no.	Techn. Info.	Weight	Rep kit	Alternative material
80	1296.333.046		CLUTCH DISC	1			ENTHALT.IN 1296 333 051(1)	0,000		
110	1296.333.050		CLUTCH BODY	1		C01002627A10	ENTHALT.IN 1296.333.053(1)	0,000		
120	1316.233.022		SYNCHRONIZER	1			KPL.PROFIL 80GV-GP 90SV-GP	0,000		
/110	1313.333.001		SYNCHROBODY	1			ENTHALT.IN 1296 333 014(1)	0,000		
/140	1296.333.045		SYNCHRORING	1				0,000		
/150	1240.304.278		PRESSURE PIECE	9				0,000		
/160	0732.040.385		COMPRSPRING	9				0,000		
/170	0732.040.386		COMPRSPRING	9				0,000		
/190	1316.333.034		SLIDING SLEEVE	1		C01007317F10	ZF-B 165/74 GP	0,000		
/200	1296.333.045		SYNCHRORING	1				0,000		
130	0630.501.175		RETAINING RING	1		Z00006943010	125X3,7	0,000		
260	1316.233.029		CLUTCH BODY	1		C01007305F10	KPL. ZF-B 165/74	0,000		

# Plant

Page 1 from 2

Material number: 1315.051.989  
Plant: 068.46.03-1  
GP SHIFT SYSTEM

16 S 151 / RENAULT  
GP SHIFT SYSTEM

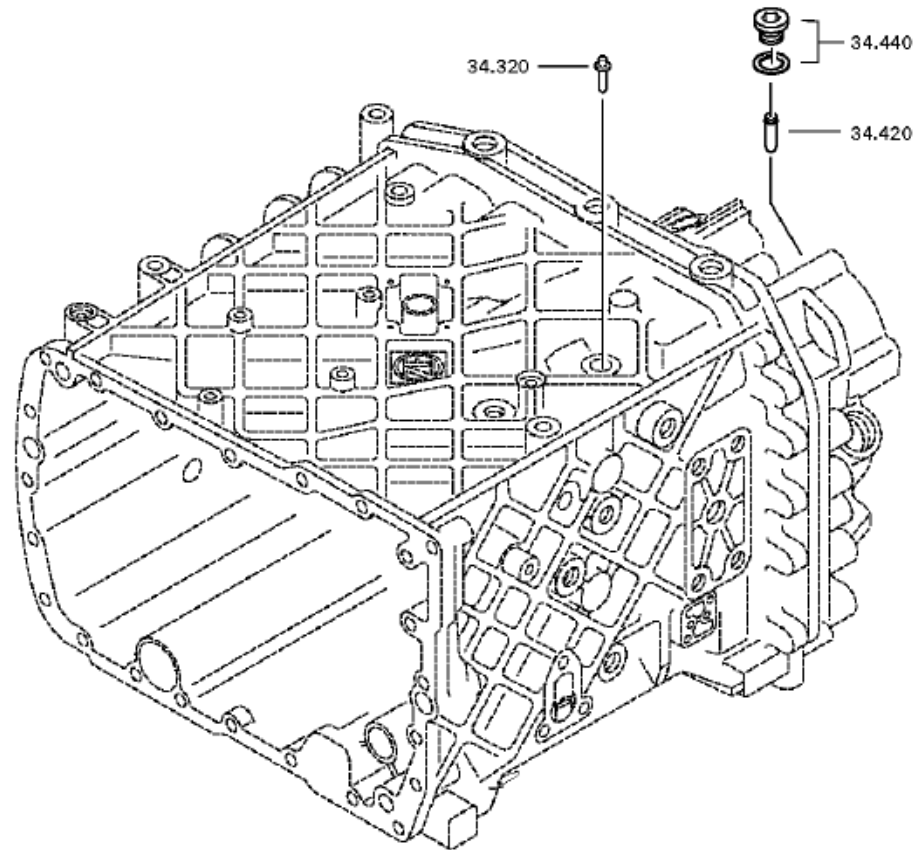


# Plant

Page 2 from 2

Material number: 1315.051.989  
Plant: 068.46.41-1  
GP SHIFT SYSTEM

16 S 151 / RENAULT  
GP SHIFT SYSTEM



# Parts list

Page 1 from 1

Material number: 1315.051.989

16 S 151 / RENAULT

Plant: 068.46.03-1

Material-assembly-group-no: 1315.134.015



Pos.	Material number	Customer material	Name	Quantity	ME	Amend. no.	Techn. Info.	Weight	Rep kit	Alternative material
10	1315.334.071		GEAR SHIFT RAIL	1				0,000		
30	0750.112.253		FLANGE PACKING	1			25X40X15	0,000		
50	---		PISTON	1			GP	0,000		
---	1315.334.034		PISTON	1			ENTHALT.IN 1315 334 040(2)	0,000		
---	1315.334.063		PISTON	1				0,000		
70	0734.307.294		SEALING RING	2			49X91X7,4 FA.KACO	0,000		
90	0750.112.066		GUIDE RING	1				0,000		
110	0737.300.037		LOCKING NUT	1		Z00008929010	MS16X1,5	0,000		
130	1315.334.069		CYLINDER	1				0,000		
150	0501.317.536		PROFILE SEALING RING	1				0,000		
210	---		HEXAGON BOLT	4		Z00007349210	M10X90	0,000		
---	0636.015.688		HEXAGON BOLT	4		Z00007349212	M10X90	0,000		
---	0630.100.294		WASHER	4		Z00007158111		0,000		
300	1296.334.004		SLIDING PAD	2				0,000		
320	---		DETENT PLUNGER	1			145N*50N.M	0,000		
---	1324.207.035		DETENT PLUNGER	1			KPL. *145 N	0,000		
---	0730.008.604		SEALING RING	1				0,000		
420	1295.212.006		PIN	1			KPL.	0,000		
440	---		SCREW PLUG	1		Z00010111513	35N.M*DICHTRING M18X1,5	0,000		
---	0636.100.791		SCREW PLUG	1		Z00010111521	M18X1,5	0,000		
---	0634.801.062		SEALING RING	1		Z00010111521	18X24	0,001		

# Plant

Page 1 from 1

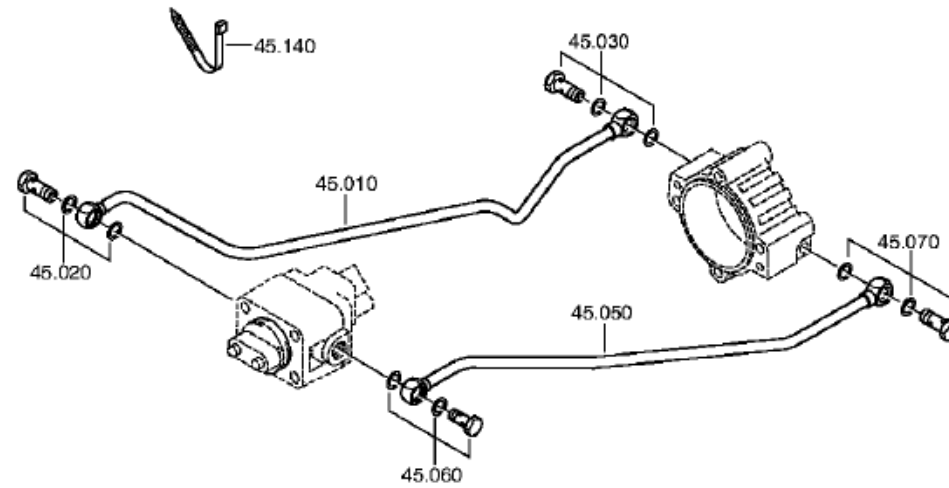
Material number: 1315.051.989

Plant: 068.57.04-1

Material-assembly-group-no: 1315.145.004

16 S 151 / RENAULT

RANGE SELECTION



# Parts list

Page 1 from 1

Material number: 1315.051.989

16 S 151 / RENAULT

Plant: 068.57.04-1

Material-assembly-group-no: 1315.145.004



Pos.	Material number	Customer material	Name	Quantity	ME	Amend. no.	Techn. Info.	Weight	Rep kit	Alternative material
10	1315.245.016		PIPE	1		C01003833B10	KPL.GP RE*L=515MM* 12X1,5	0,000		
20	---		UNION SCREW	1		Z00010274511	M14X1,5	0,000		
---	0737.300.061		UNION SCREW	1		Z00012473710	M14X1,5	0,000		
---	0634.801.217		SEALING RING	1		Z00010274513	14X20	0,000		
30	---		UNION SCREW	1		Z00010274511	M14X1,5	0,000		
---	0737.300.061		UNION SCREW	1		Z00012473710	M14X1,5	0,000		
---	0634.801.217		SEALING RING	1		Z00010274513	14X20	0,000		
50	1315.245.017		PIPE	1		C01003833B10	KPL.GP LI*L=532MM* 12X1,5	0,000		
60	---		UNION SCREW	1		Z00010274511	M14X1,5	0,000		
---	0737.300.061		UNION SCREW	1		Z00012473710	M14X1,5	0,000		
---	0634.801.217		SEALING RING	1		Z00010274513	14X20	0,000		
70	---		UNION SCREW	1		Z00010274511	M14X1,5	0,000		
---	0737.300.061		UNION SCREW	1		Z00012473710	M14X1,5	0,000		
---	0634.801.217		SEALING RING	1		Z00010274513	14X20	0,000		
140	0659.160.081		CABLE CLIP	1		C01006654E10	4,7X210	0,000		