



Spare Parts Catalog

16 S 151 IT

Material number: 1315.041.711

Current date: 15.10.2014

ZF Friedrichshafen AG
Hauptverwaltung
80038 Friedrichshafen
Deutschland

Telefon: +49 7541 77-0

Telefax: +49 7541 77-908000

www.zf.com

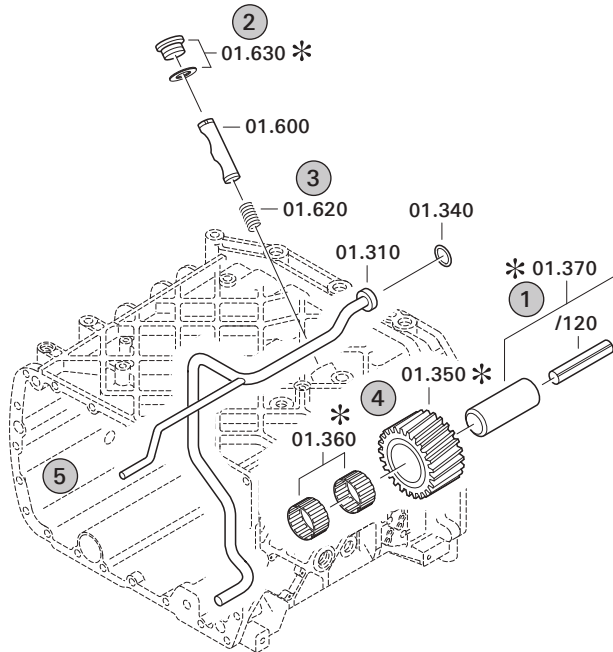
zuständiges Werk:
Friedrichshafen

Notes relating to the spare parts catalog

Setup of the spare parts catalog

- Cover sheet
- Technical Cover (only in SDM print)
- Overview of figures
- Figure
- Associated parts list
- Next figure
- Associated parts list
- ...

Figure and parts list



Overview of figures

Bildtafel Figure	Sachnummer Product number	Benennung (Description)	Technische Info Technical info	Description (Benennung)	Menge Quantity	Einheit Unit
068.08.17	1316.170.001	AUSLEGER	WL	SHIFT TURRET	1	Stk
068.08.06	1316.170.031	DECKEL	WL*H-H *VM	COVER	1	Stk
068.08.14	1316.170.808	DECKEL	WL*AUSL+GEH*H-H*HF160N	COVER	1	Stk
08	1316.170.441	ANSCHLUSSTEILE	WL*NG-VORB*RG-SCHL*168N *BAJONETT	CONNECTING PARTS	1	Stk

The "gap" indicates that there is no separate graphics panel (poster) for this assembly
The parts of this assembly are shown with the same mid-section number on the figure

1 Positions and subpositions

Pos.	Sachnummer Product number	Benennung (Description)	Technische Info Technical info	Description (Benennung)	Menge Quantity	Einheit Unit
0370	1315.201.054	RUECKLAUFBOLZEN	KPL.16S151*SG*L= 79	REV.IDLER SHAFT	1	Stk
/0120	0631.329.293	SPANNSTIFT		SLOT. PIN	1	Stk

Positions marked with "/" are the individual items of a completion
For example: Position 0370 contains a centering pin with the position /0120

2 Combinations with standardized parts

Pos.	Sachnummer Product number	Benennung (Description)	Technische Info Technical info	Description (Benennung)	Menge Quantity	Einheit Unit
0630		VERSCHL.SCHR.		SCREW PLUG	1	Stk
	0636.302.067	VERSCHL.SCHR.		SCREW PLUG	1	Stk
	0634.801.249	DICHTRING	A 26 X 31	SEALING RING	1	Stk

The parts list shows the components included in the combination of standardized parts

3 Depiction of position/item number on the figure and in the parts list

01.620 - on the figure 01 relates to the assembly in which the position is included. Due to program-related reasons, it is shown on the figure.

0620 - in the parts list

Pos.	Sachnummer Product number	Benennung (Description)	Technische Info Technical info	Description (Benennung)	Menge Quantity	Einheit Unit
0620	0732.040.736	DRUCKFEDER		COMPRESSION SPRING	1	Stk

4 *-Positions

Positions marked with an * are optional i.e. inclusion in the parts list is not mandatory.
The following note is shown on the figure

je nach Stücklistenausführung
depending on spec. number
*
suivant la nomenclature
secondo la distinta base

5 Parts, dotted display

Parts with dotted display on the figure are only used for orientation of other parts

Technical Cover

Page 1 from 1

Material number: 1315.041.711



16 S 151 IT /

Pos.	Information	Amendment number
001	Use case -----	
002	Customer MAN	
003	City NN	
004	DUNS	
005	Product description -----	
006	CLEANNESS SCALE NUMBER 1 20	
007	CLEANNESS SCALE NUMBER 2 16	
008	CLEANNESS SPECIFICATION ZFN 5015	
009	ATTACHED AGRREGATES 1 IT ECOSPLIT	
010	OUTER DIA. OUTPUT FLANGE RA 180 mm	
012	NO.OF SCREWS OUTPUT FLANGE RA 4	
014	DIA. THREAD OUTPUT FL. SCR. RA M14	
015	THREAD PITCH OUTPUT FL SCR. RA 1.5 mm	
016	THREAD LENGTH OUTP.FL SCREW RA 50 mm	
018	REF. LENGTH OUTPUT FLANGE RA 211.5 mm	
030	ATTACHM.POS.HEAT EXCHANGER LATERAL LEFT	
031	1.INST.INSTRUCTION HEAT EXCHANGER ACCUMULATOR	
032	OIL CAPACITY, GEARBOX 18.5 dm3	
033	OIL FILL VARIANT EX WORKS	
034	OIL GRADE PERMISSIBLE ACC. TO TE-ML02	
035	OIL CLASS FIRST FILLING E	
036	CODING OUTER CONSERVATION KA1	
037	SCOPE OUTER CONSERVATION T	
038	CODING INNER CONSERVATION KI2	
039	CONSERVATION SPECIFICATION ZFN 916	
041	COLOR JET BLACK	
042	COLOUR CLASSIFICATION ACC. TO RAL 9005	
043	PAINTING, ZF STANDARD 915 W	
047	Alias ID -----	
048	MAN 81.32003-6402	

Assembly group overview

Page 1 from 1

Material number: 1315.041.711



16 S 151 IT /

Graphics	Pos.	Material number	Name	Quantity	Amend. no.	Techn. Info.
068.A1.01-1	910	1315.051.741	16 S 151	1		
	922	6085.005.045	IT ECOSPLIT	1		
	924	6085.177.279	ACCESSORIES	1		

Plant

Page 1 from 1

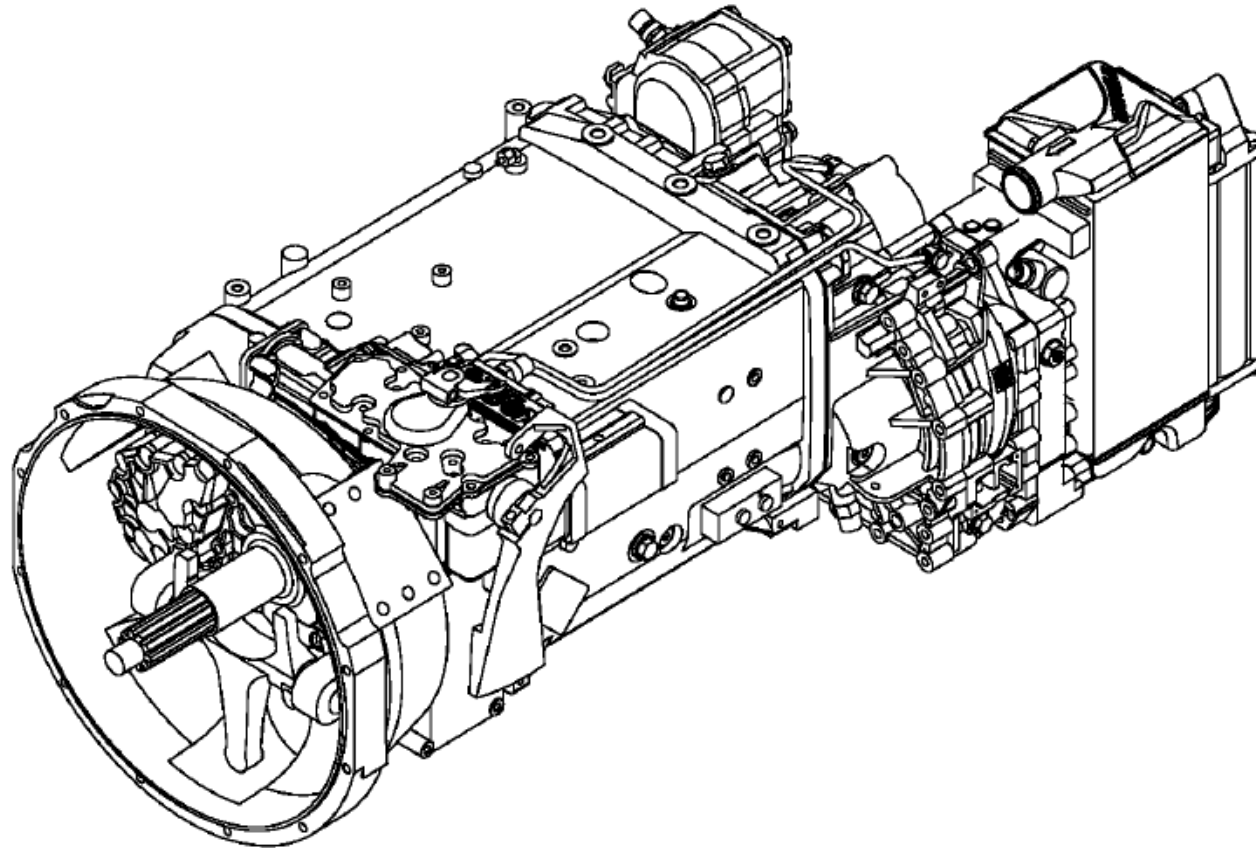
Material number: 1315.041.711

Plant: 068.A1.01-1

Material-assembly-group-no: 1315.051.741



16 S 151 IT /
16 S 151



Technical Cover

Page 1 from 4

Material number: 1315.051.741



16 S 151 /

Pos.	Information	Amendment number
001	Use case -----	
002	Customer MAN	
003	City NN	
004	DUNS	
005	Product description -----	
006	INSTALLATION POS TRANSMISSION HORIZONTAL LEFT	
007	TRANSMISSION ATTACHMENT FLANGE-MOUNTED	
009	RATIO, BOTTOM GEAR 13.8	
010	RATIO, TOP GEAR .84	
011	RATIO, 1ST GEAR 13.8	
012	RATIO, 2ND GEAR 11.54	
013	RATIO, 3RD GEAR 9.49	
014	RATIO, 4TH GEAR 7.93	
015	RATIO, 5TH GEAR 6.53	
016	RATIO, 6TH GEAR 5.46	
017	RATIO, 7TH GEAR 4.57	
018	RATIO, 8TH GEAR 3.82	
019	RATIO, 9TH GEAR 3.02	
020	RATIO, 10TH GEAR 2.53	
021	RATIO, 11TH GEAR 2.08	
022	RATIO, 12TH GEAR 1.74	
023	RATIO, 13TH GEAR 1.43	
024	RATIO, 14TH GEAR 1.2	
025	RATIO, 15TH GEAR 1	
026	RATIO, 16TH GEAR .84	
027	RATIO, 1ST GEAR REVERSE 12.92	
028	RATIO, 2ND GEAR REVERSE 10.8	
029	SET OF RATIOS SG	
030	RATIO RANGE BASIC DG	
031	NUMBER OF PLANETARY GEARS 5	
032	RATIO PLANETARY GEAR SET 4.565	
033	VER. SPLINE PLANETARY GEAR SET OBLIQUE TOOTHING	
034	DESIGN, SHIFT SYSTEM TURNING SHAFT	



Pos.	Information	Amendment number
035	POSITION, GEAR SHIFT SYSTEM HORIZONTAL LEFT	
036	DESIGN, SHIFT PATTERN H-H	
037	VERSION SHIFT SUPPORT SERVO	
038	VERSION ACTUATION SHIFT SYSTEM MECHANICAL	
040	VERSION TUBE R/C PLASTIC-FORM-PIPE	
042	VERSION TUBE SERVO PLASTIC PIPING	
043	NOTE ON VERSION SHIFT SYSTEM GV-VALVE	
044	DESIGN DOWNSHIFT GATE INTERLOCK WITHOUT GROOVE	
045	VERSION TUBE GATE INTERLOCK WITHOUT PIPING	
047	1ST CUSTOMER SPEC SHIFT SYSTEM PRESSURE REDUCTION	
048	2ND CUSTOMER SPEC SHIFT SYSTEM WITHOUT GROOVE	
049	DIA THROTTLE MAIN CUTOFF VALVE 1.55 mm	
050	NO. TAPPETS MAIN CUTOFF VALVE 2	
051	POS. AIR CON MAIN CUTOFF VALVE G	
057	SELECTION PATTERN VARIANT GEAR SHIFT PATTERN 1	
061	DESIGN, SEPARATING CLUTCH FULL-SYNCHRONIZED	
062	VERSION OF SYNCHRONIZER 1 1.-4.GEAR BK-SYNCHRONIZATION	
064	REFERENCE LENGTH INPUT SHAFT 109 mm	
065	STANDARD TYPE INPUT SHAFT SAE	
066	NUMBER OF WEDGES INPUT SHAFT 10	
069	VERSION OF INPUT SHAFT FORM C	
070	NOMINAL DIAMETER INPUT SHAFT 2 in	
072	DIAMETER, JOURNAL, INPUT SHAFT 25 mm	
073	TYPE FIT SPIGOTS INPUT SHAFT F7	
074	VER. BEAR. SPIGOTS INPUT SHAFT TAPER ROLLER	
075	LENGTH, INPUT SHAFT 382.5 mm	
076	DIAMETER SHAFT OF INPUT SHAFT 50.3 mm	
077	LENGTH, PROFILE, INPUT SHAFT 120 mm	
078	BUSH VARIANT INPUT SHAFT WITHOUT GROOVE	
079	VERSION BEARING CONSTANT 1 GL	
080	DIAMETER BEARING INPUT SHAFT 99.916 mm	
081	TYPE FIT BEAR. INPUT SHAFT H5	
083	DESIGN,CONN., CLUTCH HOUSING SAE 1	



Pos.	Information	Amendment number
088	VERSION OF CLUTCH HOUSING INTEGRATED	
089	DESIGN BEARING OUTPUT STANDARD SUSPENSION	
091	POSITION MOUNT. FACE HOUSING 2 WITHOUT GROOVE	
097	TYPE OF RELEASE MECHANISM WITH	
098	REF.LENGTH,RELEASE BEAR.FLAN -7 mm	
099	DIAMETER, RELEASE FLANGE 60 mm	
100	TYPE FIT RELEASE BEARING FLA. F8	
104	ASSEMBLY POS. CLUTCH CYLINDER 6	
122	DIMENSION SHIFT TURRET DIST. 300 mm	
123	MEAS. LOC. SHIFT TURRET DIST. SHIFT LEVER-LOCATION	
129	RADIUS 1 SHIFT LEVER 55 mm	
130	SHIFT LEVER CONNECTION KNURLING	
132	LOCATION GEAR SHIFT LEVER TAPER OUTSIDE	
133	LEVER POSITION SHIFTING OUTPUT C	
138	G.SHIFT LEVER ANGL.EPSILON MIN 14.000 GRAD	
139	G.SHIFT LEVER ANGL.EPSILON MAX 20 GRAD	
147	SPRING ARRANGEMENT Q3	
148	SPRING FORCE DETENT PLUNGER RG 120 N	
149	HUMP SPRING FORCE, OUTSIDE 150 N	
152	SELECTOR SPRING FORCE, OUTSIDE 35 N	
153	SELECTOR SPRING FORCE, INSIDE 26 N	
155	SPRING FORCE OUTS. DETENT NEUT 200 N	
157	ALLOCATION DETENT LEVER VER. A	
165	SWITCH, REVERSE GEAR y	
166	DESIGN, RG (REV.GEAR) SWITCH CLOSING	
167	DESIGN, CONNECTION, RG SWITCH DIN BAYONET	
168	CODE SWITCH RG A1	
169	PROT.CAP SWITCH, REVERSE GEAR y	
171	NOTE ON SWITCH, REVERSE GEAR G.SHIFT SHAFT	
172	SWITCH, NEUTRAL GEAR y	
173	DESIGN,NG(NEUTRAL GEAR)SWITCH PREPARED	
176	PROT.CAP SWITCH, NEUTRAL GEAR n	
193	FUNCTION OF R/C SWITCH GP	



Pos.	Information	Amendment number
194	DESIGN, GP SWITCH OPENING SWITCH	
195	DESIGN, CONNECTION, GP SWITCH DIN BAYONET	
197	PROTECTING CAP GP SWITCH y	
204	FUNCTION OF S/G SWITCH GV	
205	DESIGN, GV SWITCH CLOSING	
206	DESIGN, CONNECTION, GV SWITCH DIN BAYONET	
208	PROTECTING CAP GV SWITCH y	
257	VER. TRANSMISSION VENTILATION BREATHER	
294	ATTACHM.POS. PULSE SENSOR H78 INTARDER	
295	DESIGN PULSE SENSOR RETARDER H78 PREPARED	
299	PROTECTION CAP PULSE SENSOR RETARDER H78 n	
300	PULSE RATE TACHO INPUT H70 8.2 IMP/U	
301	MOUNTING POSITION PULSE SENSOR H80 INTARDER	
302	DESIGN PULSE SENSOR RETARDER H80 WITH	
306	PROT.CAP PULSE SENSOR RET. H80 y	
307	NO.OF PULSES PULSE SENSOR RET. H80 8.2 IMP/U	
308	POSITION, OIL FILLER HOUSING, LH SIDE	
309	NOTE ON OIL FILL FILL IN OVERFLOW	

Assembly group overview

Page 1 from 2



Material number: 1315.051.741

16 S 151 IT /

Graphics	Pos.	Material number	Name	Quantity	Amend. no.	Techn. Info.
068.01.06-1	110	1315.101.124	TRANSMISSION HOUSING	1		
068.01.51-1	120	1315.101.977	TRANSMISSION HOUSING	1		
068.02.54-1	140	1315.102.429	CONNECTION PLATE	1		
068.02.82-1	150	1315.102.811	INPUT SHAFT	1		
068.02.02-1	910	1315.102.055	INPUT SHAFT	1		
068.03.80-1	180	1316.103.803	COUNTERSHAFT	1		
068.03.01-1	920	1315.103.019	COUNTERSHAFT	1		
068.04.13-1	930	1315.104.026	MAIN SHAFT	1		
068.06.01-1	230	1315.106.008	SHIFT SYSTEM	1		
068.06.44-1	234	1315.106.429	CONNECTING PARTS	1		
068.06.80-1	238	1315.106.800	SHIFT SYSTEM	1		
068.07.81-1	292	1316.108.812	GEAR SHIFT HOUSING	1		
068.07.36-1	910	1316.108.047	GEAR SHIFT HOUSING	1		
068.07.25-1	914	1316.108.459	GEARSHIFT SHAFT	1		
068.07.55-1	924	1316.108.019	DETENT	1		
068.07.57-1	930	1316.108.811	COVER	1		
062.08.30-1	954	1316.171.403	END COVER	1		
068.08.02-1	960	1316.171.400	PNEUMATIC SERVO UNIT	1		
068.08.92-1	964	1316.171.825	CONNECTING PARTS	1		
068.09.01-1	934	1316.109.024	CONNECTING PARTS	1		
068.09.43-1	940	1316.109.411	CONNECTING PARTS	1		
068.12.16-1	918	1316.149.411	SET OF SPRINGS	1		
068.40.04-1	500	1315.112.017	GV-SHIFT SYSTEM	1		
068.40.41-1	502	1315.112.410	CONNECTING PARTS	1		
068.43.01-1	20	1315.131.038	RC HOUSING	1		
068.43.42-1	30	1315.131.405	CLOSING COMPONENTS	1		
068.43.81-1	512	1315.131.804	RC HOUSING	1		
068.43.43-1	516	1315.131.404	CONNECTING PARTS	1		
068.44.07-1	40	1315.132.016	PLANETARY DRIVE	1		
068.45.03-1	70	1316.133.010	SYNCHRONIZER	1		
068.45.40-1	80	1315.133.405	SYNCHRONIZER	1		
068.46.03-1	90	1315.134.015	GP SHIFT SYSTEM	1		

Assembly group overview

Page 2 from 2

Material number: 1315.051.741



16 S 151 IT /

Graphics	Pos.	Material number	Name	Quantity	Amend. no.	Techn. Info.
068.46.40-1	554	1315.134.412	CONNECTING PARTS	1		
068.57.13-1	390	1315.145.019	RANGE SELECTION	1		
068.93.07	130	1315.168.019	CLUTCH RELEASE DEVICE	1		

Plant

Page 1 from 2

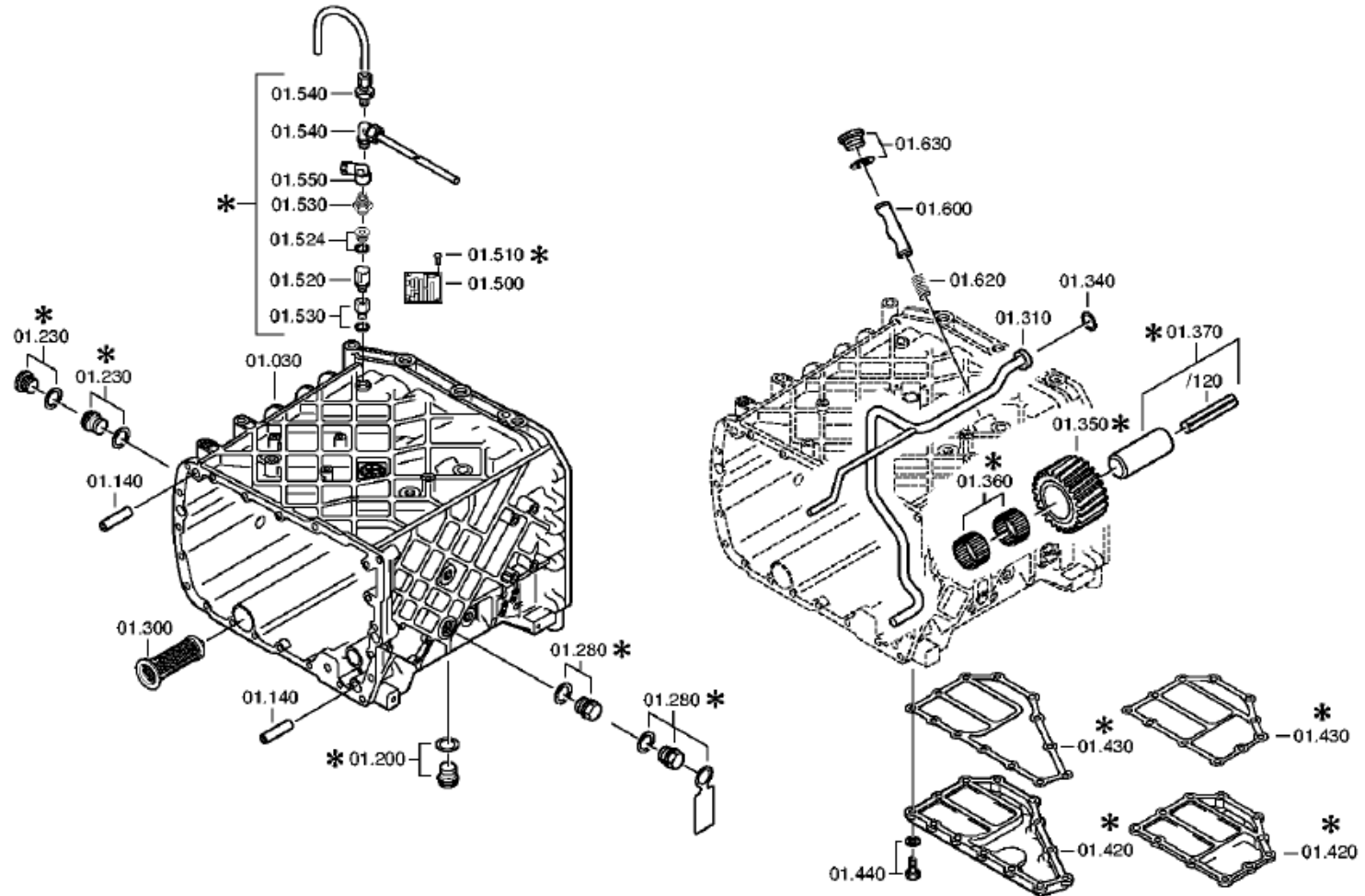
Material number: 1315.051.741

Plant: 068.01.06-1

TRANSMISSION HOUSING



16 S 151 IT /
TRANSMISSION HOUSING



Plant

Page 2 from 2

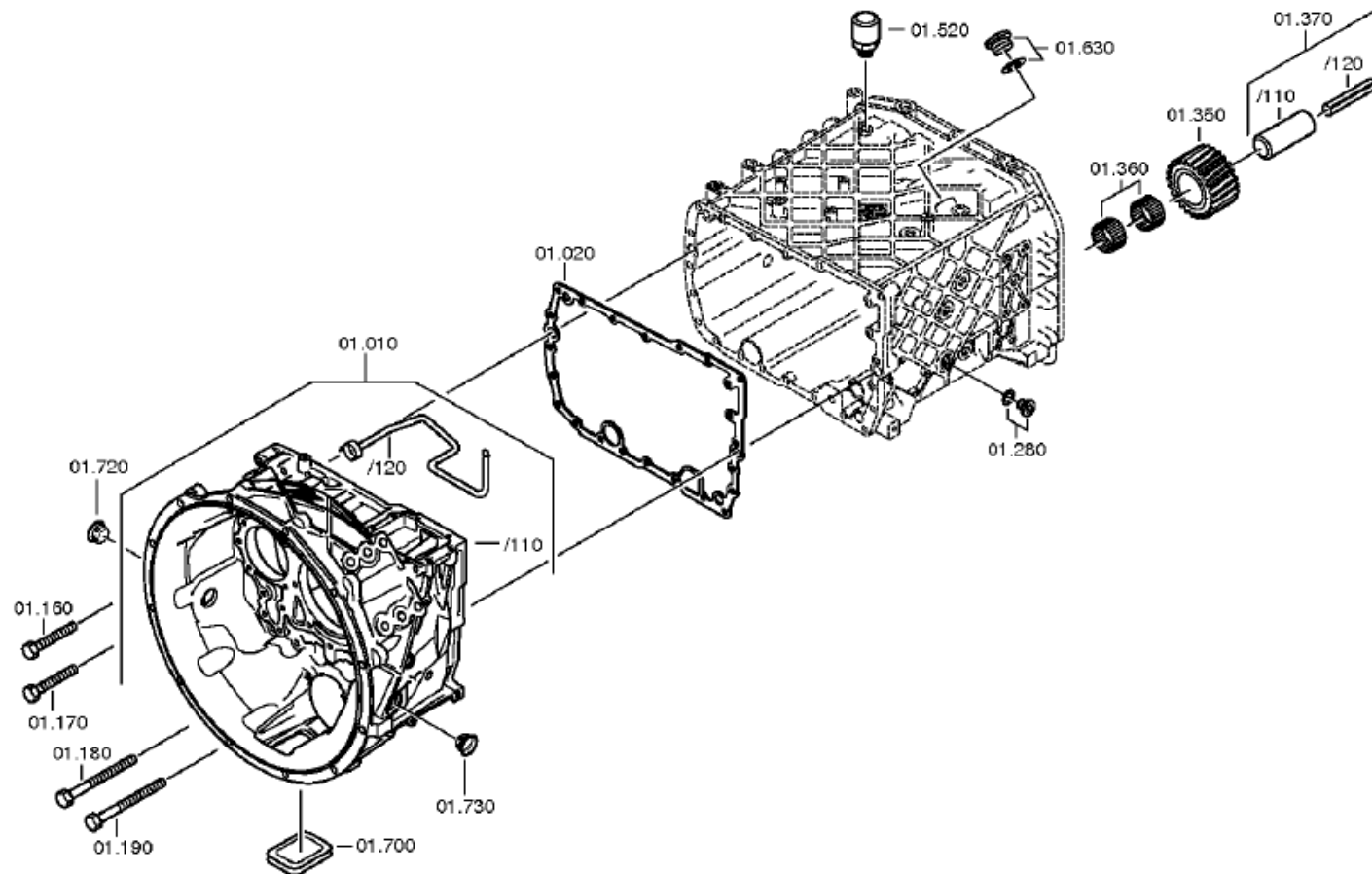
Material number: 1315.051.741

Plant: 068.01.51-1

TRANSMISSION HOUSING



16 S 151 IT /
TRANSMISSION HOUSING



Parts list

Page 1 from 2



16 S 151 IT /

Material number: 1315.051.741

Plant: 068.01.06-1

Material-assembly-group-no: 1315.101.124

Pos.	Material number	Customer material	Name	Quantity	ME	Amend. no.	Techn. Info.	Rep kit	Alternative material
10	1316.201.142	1427603	CLUTCH HOUSING	1			KPL.		
/110	1316.301.064		CLUTCH HOUSING	1			ENTHALT.IN 1316 301 060(0)		
/120	1315.201.097	ZF-1315 201 097	TUBE	1			KPL.		
20	1315.301.233	5 5367 0	GASKET	1		C01005348C10			
30	1315.201.208	1666325	HOUSING	1			KPL.		
50	---		SCREW PLUG	1		Z00010176111	M24X1,5		
---	0736.300.160	4471982.1	SCREW PLUG	1		Z00010176110	M24X1,5 M24X1,5		
---	0730.008.637	1428103	SEALING RING	1		Z00010176110	24X29		
90	---		SCREW PLUG	1		Z00010164013	50N.M*DICHTRING M22X1,5		
---	0636.100.824		SCREW PLUG	1		Z00010164019	M22X1,5		
---	0730.009.515	0730009515	SEALING RING	1		Z00010164019	A22X27		
100	---		SCREW PLUG	1		Z00010164013	50N.M*DICHTRING M22X1,5		
---	0636.100.824		SCREW PLUG	1		Z00010164019	M22X1,5		
---	0730.009.515	0730009515	SEALING RING	1		Z00010164019	A22X27		
140	0731.201.563	1290941	CYLINDRICAL PIN	4					
160	0736.300.123	1880233	HEXAGON SCREW	14			M10X70 M10X70		
170	---		HEXAGON SCREW	1			M10X70		
---	0736.300.123	1880233	HEXAGON SCREW	1			M10X70 M10X70		
180	0736.300.119	1896749	HEXAGON SCREW	6		Z00009403410	M10X140 M10X140		
190	---		HEXAGON SCREW	1		Z00009403410	M10X140		
---	0736.300.119	1896749	HEXAGON SCREW	1		Z00009403412	M10X140 M10X140		
230	---		SCREW PLUG	1		Z00010164210	60N.M*DICHTRING M24X1,5		
---	0636.302.612		SCREW PLUG	1		Z00010164215	M24X1,5		
---	0730.008.637	1428103	SEALING RING	1		Z00010164215	24X29		
280	---		SCREW PLUG	1		Z00010112111	60N.M*DICHTRING M24X1,5		
---	0636.304.088	1882905	SCREW PLUG	1		Z00010112110	M24X1,5		
---	0730.008.637	1428103	SEALING RING	1		Z00010112110	24X29		
300	0501.318.802	5718 742 08	SCREEN INSERT	1					
310	1315.201.111		SPRAY TUBE	1			KPL. IN 1315 201 112(0)		
340	0634.313.198	1000004936	O-RING	1			20X3		
350	---		REVERSE IDLER GEAR	1		Z00010875410			
---	1315.305.010		REVERSE IDLER GEAR	1		Z00010875411	GESCHLIFFEN		
---	1315.305.011	1779551	REVERSE IDLER GEAR	1		Z00010875411			
360	0750.115.366	5 8107 0	NEEDLE CAGE	2			45,0X57,0X21,0		

Parts list

Page 2 from 2



16 S 151 IT /

Material number: 1315.051.741

Plant: 068.01.06-1

Material-assembly-group-no: 1315.101.124

Pos.	Material number	Customer material	Name	Quantity	ME	Amend. no.	Techn. Info.	Rep kit	Alternative material
370	1315.201.053		REVERSE IDLER SHAFT	1			KPL.16S151*DG*L=84		
/120	0631.329.294		SLOTTED PIN	1			10X100		
420	---		COVER	1					
---	1315.301.047		COVER	1					
---	1315.301.039		COVER	1			ENTHALT.IN 1315 301 035(0)		
430	1315.301.234		GASKET	1					
440	0636.100.432		HEXAGON SCREW	13		Z00007349511	M10X28		
500	---		TYPE PLATE	1			KONZERN		
---	0730.365.241		TYPE PLATE	1			EINHEITSSCH. VERDREHSICHER		
---	0730.365.259		TYPE PLATE	1			EINHEITSSCH.VERDREHSICHER BRASILIE		
---	0730.365.267		TYPE PLATE	1			CHINA		
---	0730.300.258		TYPE PLATE	1			EINHEITSSCH.VERDREHSICHER		
---	0730.365.271		TYPE PLATE	1			RUSSLAND/ KYRILLISCH		
---	0730.365.257		TYPE PLATE	1			S.S.CH IRAN		
---	0730.365.800		TYPE PLATE	1		Z00015972510			
---	0730.302.754		TYPE PLATE	1			AUSFUEHRUNG UNIVERSAL		
510	0731.300.027		BLIND RIVET	4		Z00007904810			
520	0501.218.540	1896008	BREATHER	1					
600	1313.306.013		LOCKING PIN	1					
620	0732.040.736	2150041300	COMPRESSION SPRING	1					
630	---		SCREW PLUG	1		Z00010164412	70N.M*DICHTRING M26X1,5		
---	0636.100.811		SCREW PLUG	1		Z00010164420	M26X1,5		
---	0634.801.249		SEALING RING	1		Z00010164420	26X31		
700	1315.301.230	1454283	PROTECTION CAP	1					
720	0501.321.840	1803936	PLUG	1					
730	0501.321.840	1803936	PLUG	1					

Plant

Page 1 from 3

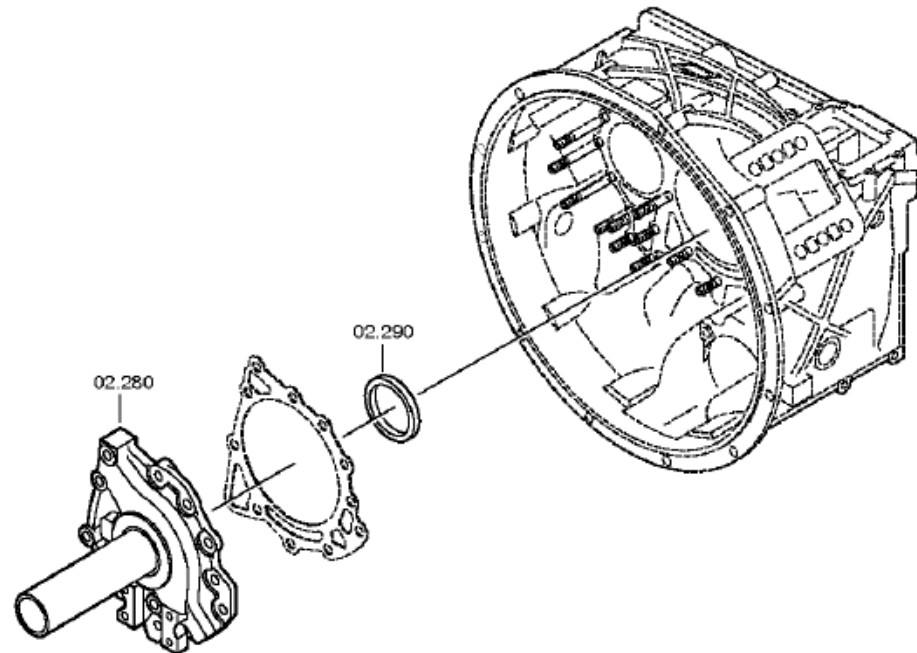
Material number: 1315.051.741

Plant: 068.02.54-1

CONNECTION PLATE



16 S 151 IT /
CONNECTION PLATE



Plant

Page 2 from 3

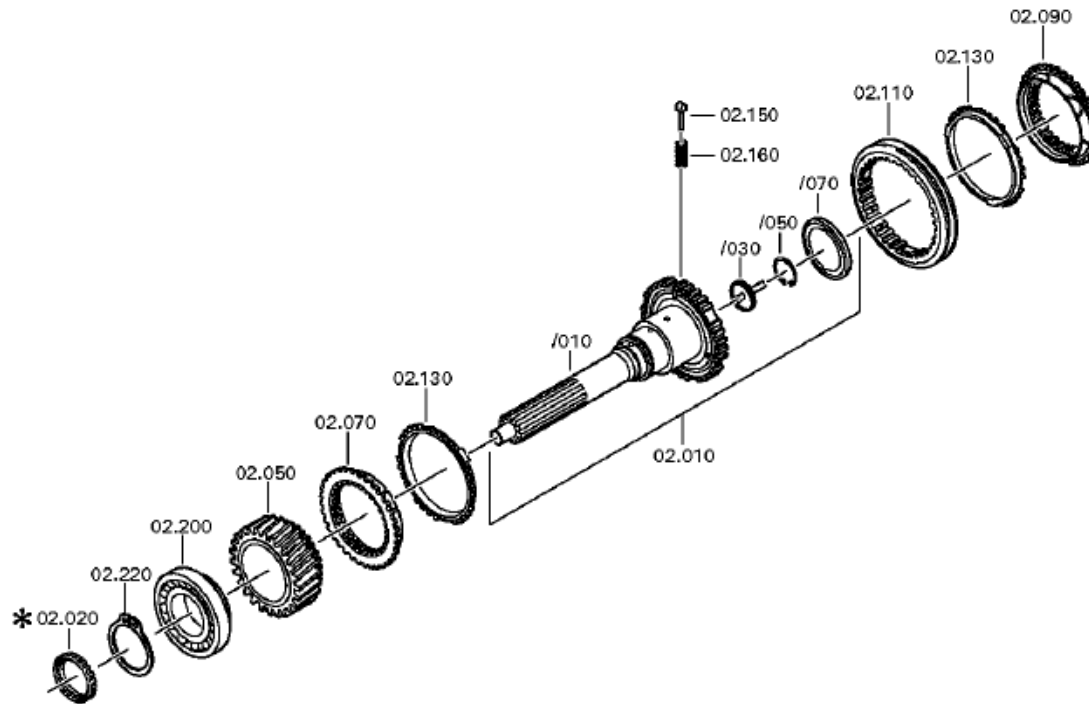
Material number: 1315.051.741

Plant: 068.02.02-1

CONNECTION PLATE



16 S 151 IT /
CONNECTION PLATE



Plant

Page 3 from 3

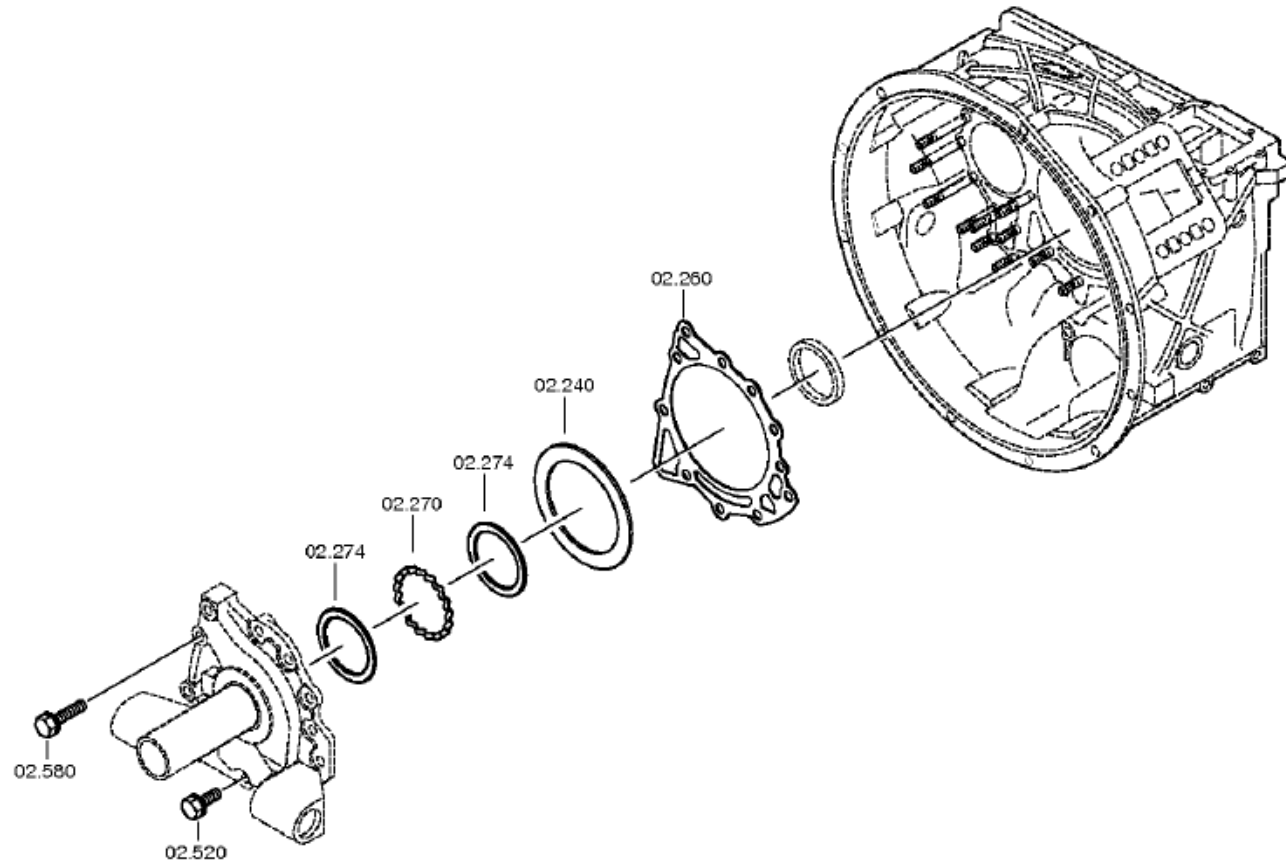
Material number: 1315.051.741

Plant: 068.02.82-1

CONNECTION PLATE



16 S 151 IT /
CONNECTION PLATE



Parts list

Page 1 from 2



16 S 151 IT /

Material number: 1315.051.741

Plant: 068.02.54-1

Material-assembly-group-no: 1315.102.429

Pos.	Material number	Customer material	Name	Quantity	ME	Amend. no.	Techn. Info.	Rep kit	Alternative material
10	1315.202.037	1373772	INPUT SHAFT	1			KPL.L109*GL100*ZAPF.25		
/10	1355.302.002		INPUT SHAFT	1		Z00011537210			
/30	1354.302.019		TUBE	1		Z00003830511			
/50	0630.502.027	100CP3461	RETAINING RING	1			50X2		
/70	0750.101.179	1896784	OIL DAM	1		Z00007187910	77,0X95,5X6,0		
50	1315.302.158		HELICAL GEAR	1			Z35 IN 1315 302 156(1)		
70	1312.304.027	81.32425-0092	CLUTCH BODY	1			ENTHALT.IN 1310 304 107(1)		
90	1312.304.027	81.32425-0092	CLUTCH BODY	1		C01004680D10	ENTHALT.IN 1310 304 107(1)		
110	1310.304.202	5 5321 0	SLIDING SLEEVE	1		C01005378A10			
130	1297.304.484	81.32420-0230	SYNCHRO.RING	2					
150	1297.304.436	0068332	PRESSURE PART	3					
160	0732.040.409	0171349	COMPRESSION SPRING	3		C01007317F10			
200	0750.117.732	5 8301 0	TAPERED ROLLER BEARING	1			85,0X150,0X30,5		
220	0730.501.598		RETAINING RING	1		C01007992110	85X4		
240	---		SHIM	1			H= 0,90- 2,40(ABSTUFUNG:0,05MM)		
---	2050.309.094		SHIM	1			A=2,2 IN 2050 309 090 C45E WW.F500 ZFN410		
---	0730.007.489		SHIM	1			A=2,15 IN 2050 309 090(2)		
---	0730.007.488		SHIM	1			A=2,10 IN 2050 309 090(2)		
---	0730.007.487		SHIM	1			A=2,05 IN 2050 309 090(2)		
---	0730.007.486		SHIM	1			A=2,00 IN 2050 309 090(2)		
---	0730.007.485		SHIM	1			A=1,95 IN 2050 309 090(2)		
---	0730.007.484	0730007484	SHIM	1			A=1,90 IN 2050 309 090(2)		
---	0730.007.483		SHIM	1			A=1,85 IN 2050 309 090(2)		
---	0730.007.482		SHIM	1			A=1,80 IN 2050 309 090(2)		
---	0730.007.481		SHIM	1			A=1,75 IN 2050 309 090(2)		
---	0730.007.480	1833896	SHIM	1			A=1,70 IN 2050 309 090(2)		
---	0730.007.479		SHIM	1			A=1,65 IN 2050 309 090(2)		
---	0730.007.136	1290955	SHIM	1			A=1,60 IN 2050 309 090(2)		
---	0730.007.135		SHIM	1			A=1,55 IN 2050 309 090(2)		
---	0730.007.134		SHIM	1			A=1,50 IN 2050 309 090(2)		
---	0730.007.133		SHIM	1			A=1,45 IN 2050 309 090(2)		
---	0730.007.132		SHIM	1			A=1,40 IN 2050 309 090(2)		
---	0730.007.131		SHIM	1			A=1,35 IN 2050 309 090(2)		

Parts list

Page 2 from 2



16 S 151 IT /

Material number: 1315.051.741

Plant: 068.02.54-1

Material-assembly-group-no: 1315.102.429

Pos.	Material number	Customer material	Name	Quantity	ME	Amend. no.	Techn. Info.	Rep kit	Alternative material
---	0730.007.130		SHIM	1			A=1,30 IN 2050 309 090(2)		
---	0730.007.129		SHIM	1			A=1,25 IN 2050 309 090(2)		
---	2050.309.034		SHIM	1			A=1,2 IN 2050 309 090 C45E WW.F500 ZFN410		
---	0730.007.128		SHIM	1			A=1,15 IN 2050 309 090(2)		
---	0730.007.127		SHIM	1			A=1,10 IN 2050 309 090(2)		
---	0730.007.126		SHIM	1			A=1,05 IN 2050 309 090(2)		
---	2050.309.065		SHIM	1			A=1,0 IN 2050 309 090 C45E WW.F500 ZFN410		
---	0730.005.749		SHIM	1			A=0,95 IN 2050 309 090(2)		
---	0730.005.748	5 5258 0	SHIM	1			A=0,90 IN 2050 309 090(2)		
---	0730.301.503		SHIM	1			h=2,25		
---	0730.301.504		SHIM	1			h=2,30		
---	0730.301.505		SHIM	1			h=2,35		
---	0730.301.506		SHIM	1			h=2,40		
260	0501.314.587	5 6095 0	GASKET	1					
270	1315.302.040		SPACER RING	1					
274	0730.150.766		WASHER	2					
280	1315.302.136	5 5335 0	CONNECTION PLATE	1					
290	0734.310.387	5 8002 0	SHAFT SEAL	1		Z00023718610	55X75X8/9,2 FA.CFW		
520	0636.015.685		HEXAGON SCREW	8		Z00009177310	M10X35		
580	0636.102.270	0636 102 270 01	HEXAGON SCREW	3		Z00009177410	M10X60		

Plant

Page 1 from 2

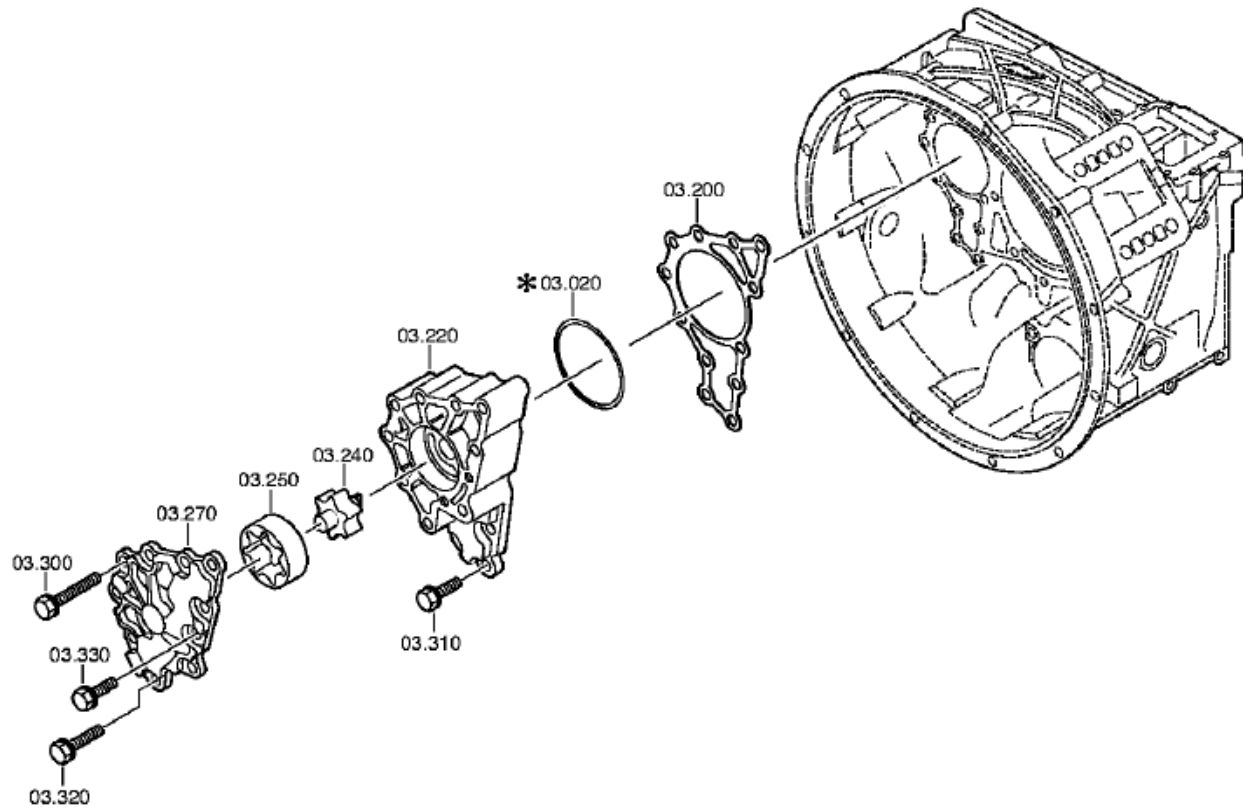
Material number: 1315.051.741

Plant: 068.03.80-1

COUNTERSHAFT



16 S 151 IT /
COUNTERSHAFT



Plant

Page 2 from 2

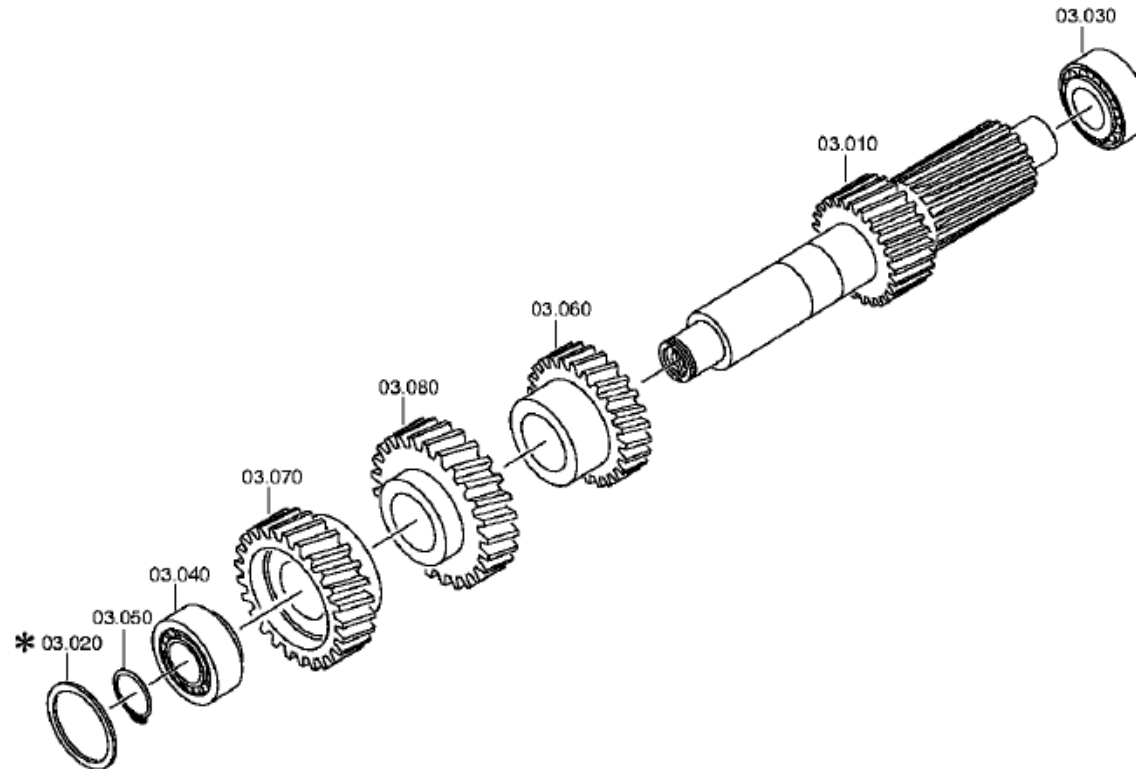
Material number: 1315.051.741

Plant: 068.03.01-1

COUNTERSHAFT



16 S 151 IT /
COUNTERSHAFT



Parts list

Page 1 from 2



16 S 151 IT /

Material number: 1315.051.741

Plant: 068.03.80-1

Material-assembly-group-no: 1316.103.803

Pos.	Material number	Customer material	Name	Quantity	ME	Amend. no.	Techn. Info.	Rep kit	Alternative material
10	1315.303.063	1666326	COUNTERSHAFT	1					
20	---		SHIM	1			H= 1,85- 3,25(ABSTUFUNG:0,05MM)		
---	0730.112.938		SHIM	1		C01007375C10	A=3,25		
---	0730.112.937		SHIM	1		C01007375C10	A=3,20		
---	0730.112.936		SHIM	1		C01007375C10	A=3,15		
---	0730.112.935		SHIM	1		C01007375C10	A=3,10		
---	0730.106.860	ZF-0730 106 860	SHIM	1		C01007375C10	A=3,05 IN 0730 106 904(2)		
---	0730.106.917	ZF-0730 106 917	SHIM	1			A=3,00 IN 0730 106 904(2)		
---	0730.106.916	1833921	SHIM	1			A=2,95 IN 0730 106 904(2)		
---	0730.106.915	1833920	SHIM	1			A=2,90 IN 0730 106 904(2)		
---	0730.106.914	1833919	SHIM	1			A=2,85 IN 0730 106 904(2)		
---	0730.106.913	1833918	SHIM	1			A=2,80 IN 0730 106 904(2)		
---	0730.106.912		SHIM	1			A=2,75 IN 0730 106 904(2)		
---	0730.106.911	1833917	SHIM	1			A=2,70 IN 0730 106 904(2)		
---	0730.106.910	1833916	SHIM	1			A=2,65 IN 0730 106 904(2)		
---	0730.106.909	1833915	SHIM	1			A=2,60 IN 0730 106 904(2)		
---	0730.106.908	1833914	SHIM	1			A=2,55 IN 0730 106 904(2)		
---	0730.100.799		SHIM	1			A=2,50 IN 0730 106 904(2)		
---	0730.100.800	1833898	SHIM	1			A=2,45 IN 0730 106 904(2)		
---	0730.100.801	ZF-0730 100 801	SHIM	1			A=2,40 IN 0730 106 904(2)		
---	0730.100.802	1833900	SHIM	1			A=2,35 IN 0730 106 904(2)		
---	0730.100.803	1833905	SHIM	1			A=2,30 IN 0730 106 904(2)		
---	0730.101.466	ZF-0730 101 466	SHIM	1			A=2,25 IN 0730 106 904(2)		
---	0730.101.467	1833906	SHIM	1			A=2,20 IN 0730 106 904(2)		
---	0730.101.468	1833907	SHIM	1			A=2,15 IN 0730 106 904(2)		
---	0730.101.469	1833909	SHIM	1			A=2,10 IN 0730 106 904(2)		
---	0730.101.470	1833910	SHIM	1			A=2,05 IN 0730 106 904(2)		
---	0730.101.471		SHIM	1			A=2,00 IN 0730 106 904(2)		
---	0730.106.907	1833912	SHIM	1			A=1,95 IN 0730 106 904(2)		
---	0730.106.906	1833911	SHIM	1			A=1,90 IN 0730 106 904(2)		
---	0730.106.905		SHIM	1			A=1,85 IN 0730 106 904(2)		
30	0750.117.009	8 8449 0	TAPERED ROLLER BEARING	1			49,213X103,188X44,475		
40	0750.117.009	8 8449 0	TAPERED ROLLER BEARING	1			49,213X103,188X44,475		
50	---		RETAINING RING	1			H= 2,40- 3,00(ABSTUFUNG:0,05MM)		

Parts list

Page 2 from 2



16 S 151 IT /

Material number: 1315.051.741

Plant: 068.03.80-1

Material-assembly-group-no: 1316.103.803

Pos.	Material number	Customer material	Name	Quantity	ME	Amend. no.	Techn. Info.	Rep kit	Alternative material
---	0630.531.065	8603574	RETAINING RING	1			50X3		
---	0630.501.111		RETAINING RING	1			50X2,95		
---	0630.501.112	0002640551	RETAINING RING	1			50X2,9		
---	0630.501.113		RETAINING RING	1			50X2,85		
---	0630.501.114	0002641451	RETAINING RING	1			50X2,8		
---	0630.501.115		RETAINING RING	1			50X2,75		
---	0630.501.116	0002641351	RETAINING RING	1			50X2,7		
---	0630.501.117	0140310	RETAINING RING	1			50X2,65		
---	0630.501.118	0002641251	RETAINING RING	1			50X2,6		
---	0630.501.160		RETAINING RING	1			50X2,55		
---	0630.531.064	1663657	RETAINING RING	1			50X2,5		
---	0630.501.159		RETAINING RING	1			50X2,45		
---	0630.501.148	0002641051	RETAINING RING	1			50X2,4		
60	1315.303.004	1290965	HELICAL GEAR	1					
70	1315.303.064	1805496	HELICAL GEAR	1			KON 1		
80	1315.303.050		HELICAL GEAR	1			ENTHALT.IN 1315 303 015(2)		
200	1315.303.060	H0491909	GASKET	1		C01005349C10			
220	---		PUMP HOUSING	1			GD*GSLs		
---	1315.302.121	5 5355 0	PUMP HOUSING	1					
---	1315.302.117		PUMP HOUSING	1					
240	1314.202.039	5 5842 0	PUMP SHAFT	1			KPL.		
250	1315.303.027	5 5857 0	ROTOR	1					
270	---		PUMP COVER	1			GD*GSLs		
---	1315.302.120	5 5855 0	PUMP COVER	1					
---	1315.302.116		PUMP COVER	1					
300	0636.015.684		HEXAGON SCREW	8		Z00009177510	M10X85		
310	0636.015.685		HEXAGON SCREW	3		Z00009177310	M10X35		
320	0636.102.270	0636 102 270 01	HEXAGON SCREW	1		Z00009177410	M10X60		
330	0636.015.685		HEXAGON SCREW	2		Z00009177310	M10X35		

Plant

Page 1 from 1

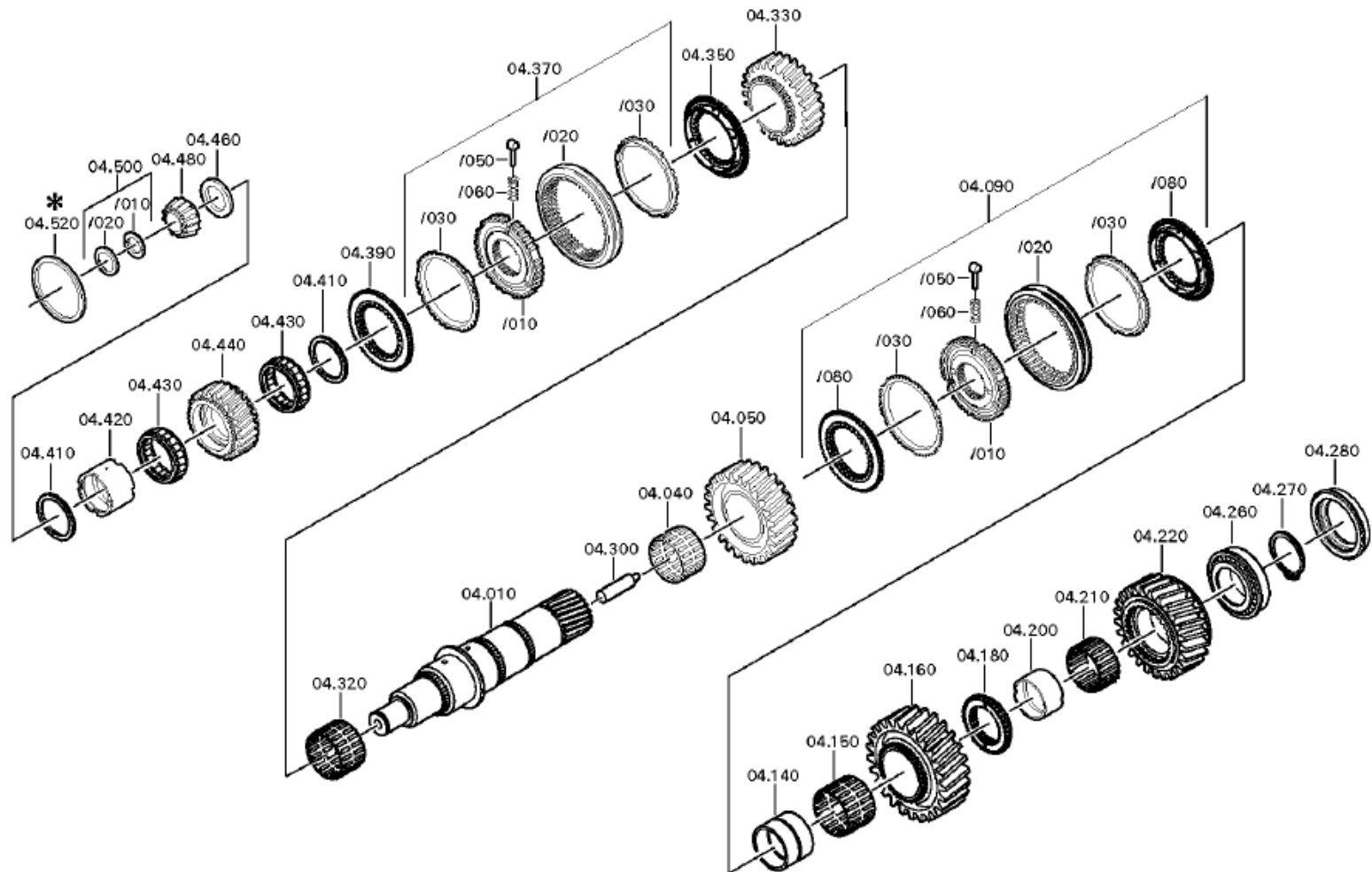
Material number: 1315.051.741

Plant: 068.04.13-1

Material-assembly-group-no: 1315.104.026



16 S 151 IT /
MAIN SHAFT



Parts list

Page 1 from 3



16 S 151 IT /

Material number: 1315.051.741

Plant: 068.04.13-1

Material-assembly-group-no: 1315.104.026

Pos.	Material number	Customer material	Name	Quantity	ME	Amend. no.	Techn. Info.	Rep kit	Alternative material
10	1315.304.131		MAIN SHAFT	1					
40	0750.115.584		NEEDLE CAGE	1		Z00011437411	WTB 92,0X100,0X52,8		
50	1315.304.025		HELICAL GEAR	1			2G/Z38 IN 1315 304 033(1)		
90	1356.204.007		SYNCHRONIZER	1		Z00006981310	KPL.1+2G*BK160 MOLYBDAEN* ECOSPLIT 3+4		
/10	1356.304.022		SYNCHRO.BODY	1		Z00006981313			
/20	1356.304.024	1865591	SLIDING SLEEVE	1		Z00006981313	ZF-BK 160		
/30	1316.304.170	1677595	SYNCHRO.RING	2		Z00006981313			
/50	1297.304.436	0068332	PRESSURE PART	3		Z00006981313			
/60	0732.040.409	0171349	COMPRESSION SPRING	3		Z00006981313			
/80	1316.304.156	5 5366 0	CLUTCH BODY	2		Z00006981313			
140	1313.304.038	0069573	BUSH	1			ENTHALT.IN 1312 304 007(2)		
150	0750.115.325	8 8106 0	NEEDLE CAGE	1			96,0X104,0X55,0		
160	1315.304.004		HELICAL GEAR	1			1G/Z47 IN 1315 304 020(1)		
180	1315.304.018	1290970	CLUTCH BODY	1			RG		
200	1315.304.132	1381158	BUSH	1			A=41,00		
210	0750.115.324	5 8105 0	NEEDLE CAGE	1			90,0X98,0X41,0		
220	---		HELICAL GEAR	1					
---	1315.304.006	1290971	HELICAL GEAR	1			RG/Z44 IN 1315 304 019(0)		
---	1315.304.380	1899831	HELICAL GEAR	1					
260	0750.117.677	8 8346 0	TAPERED ROLLER BEARING	1			80,0X130,0X36,0		
270	---		RETAINING RING	1			H= 3,00- 3,65(ABSTUFUNG:0,05MM)		
---	0630.501.316	820-400-2580	RETAINING RING	1			80X3,5		
---	0630.501.336	H0109516	RETAINING RING	1			80X3,45		
---	0630.501.315	820-400-2582	RETAINING RING	1			80X3,4		
---	0630.501.335	H0109514	RETAINING RING	1			80X3,35		
---	0630.501.314	820-400-2584	RETAINING RING	1			80X3,3		
---	0630.501.334	820-400-2585	RETAINING RING	1			80X3,25		
---	0630.501.313	820-400-2586	RETAINING RING	1			80X3,2		
---	0630.501.333	820-400-2587	RETAINING RING	1			80X3,15		
---	0630.501.312	820-400-2588	RETAINING RING	1			80X3,1		
---	0630.501.337	820-400-2589	RETAINING RING	1			80X3,55		
---	0630.501.338	820-400-2590	RETAINING RING	1			80X3,6		
---	0630.501.339	820-400-2591	RETAINING RING	1			80X3,65		

Parts list

Page 2 from 3



16 S 151 IT /

Material number: 1315.051.741

Plant: 068.04.13-1

Material-assembly-group-no: 1315.104.026

Pos.	Material number	Customer material	Name	Quantity	ME	Amend. no.	Techn. Info.	Rep kit	Alternative material
280	1315.332.073	1623382	PRESSURE DISK	1					
300	1312.304.150	5 5177 0	TUBE	1					
320	0750.115.584		NEEDLE CAGE	1		Z00011437411	WTB 92,0X100,0X52,8		
330	1315.304.027	1290972	HELICAL GEAR	1			3G/Z34 IN 1315 304 034(1)		
350	1316.304.190	1831990	CLUTCH BODY	1		Z00006981311	ZF-BK 144 O		
370	1356.204.006		SYNCHRONIZER	1		Z00006981311	KPL.3+4G*BK144 MOLYBDAEN* ANSCHL.INTEGR VERST*ECOSPLIT 3+4		
/10	1356.304.019	1833885	SYNCHRO.BODY	1		Z00006981313			
/20	1356.304.023	1833891	SLIDING SLEEVE	1		Z00006981313	ZF-BK 144		
/30	1316.304.189	1832004	SYNCHRO.RING	2		Z00006981313	ZF-BK 144		
/50	1297.304.436	0068332	PRESSURE PART	3		Z00006981313			
/60	0732.040.409	0171349	COMPRESSION SPRING	3		Z00006981313			
390	1316.304.190	1831990	CLUTCH BODY	1		Z00006981311	ZF-BK 144 O		
410	0750.101.158		THRUST WASHER	2					
420	0750.119.125	5 8911 0	INNER RING	1			67,0X77,0X54,1		
430	0750.115.534	5 8909 0	ROLLER CAGE	2			77,0X101,0X29,0		
440	1315.304.089		HELICAL GEAR	1			ENTHALT.IN 1315 304 023(1)		
460	---		AXIAL WASHER	1			H= 7,30- 8,00(ABSTUFUNG:0,10MM)		
---	1315.304.048	5 5877 0	AXIAL WASHER	1			A=8,00 IN 1315 304 042(2)		
---	1315.304.047	5 5859 0	AXIAL WASHER	1			A=7,90 IN 1315 304 042(2)		
---	1315.304.046	ZF-1315 304 046	AXIAL WASHER	1			A=7,80 IN 1315 304 042(2)		
---	1315.304.045	5 5858 0	AXIAL WASHER	1			A=7,70 IN 1315 304 042(2)		
---	1315.304.044	ZF-1315 304 044	AXIAL WASHER	1			A=7,60 IN 1315 304 042(2)		
---	1315.304.043	ZF-1315 304 043	AXIAL WASHER	1			A=7,50 IN 1315 304 042(2)		
---	1315.304.085	ZF-1315 304 085	AXIAL WASHER	1			A=7,40 IN 1315 304 042(2)		
---	1315.304.086	1833949	AXIAL WASHER	1			A=7,30 IN 1315 304 042(2)		
480	0750.117.232	81.93501.0080	TAPERED ROLLER BEARING	1			42,0X40,3		
500	1312.204.040		SPLIT RING	1			GESTANZT		
/10	---		SPLIT RING	2			H= 4,60- 5,00(ABSTUFUNG:0,10MM)		
---	0730.107.023	820-400-2660	SPLIT RING	2			A=5,00 IN 0730 106 207(2)		
---	0730.107.022	820-400-2661	SPLIT RING	2			A=4,90 IN 0730 106 207(2)		
---	0730.107.021	820-400-2662	SPLIT RING	2			A=4,80 IN 0730 106 207(2)		
---	0730.107.020	820-400-2663	SPLIT RING	2			A=4,70 IN 0730 106 207(2)		

Parts list

Page 3 from 3



16 S 151 IT /

Material number: 1315.051.741

Plant: 068.04.13-1

Material-assembly-group-no: 1315.104.026

Pos.	Material number	Customer material	Name	Quantity	ME	Amend. no.	Techn. Info.	Rep kit	Alternative material
---	0730.107.019	820-400-2664	SPLIT RING	2			A=4,60 IN 0730 106 207(2)		
/20	0730.062.781	H0224840	RETAINING RING	1			ENTHALT.IN 0730 062 636(2)		

Plant

Page 1 from 3

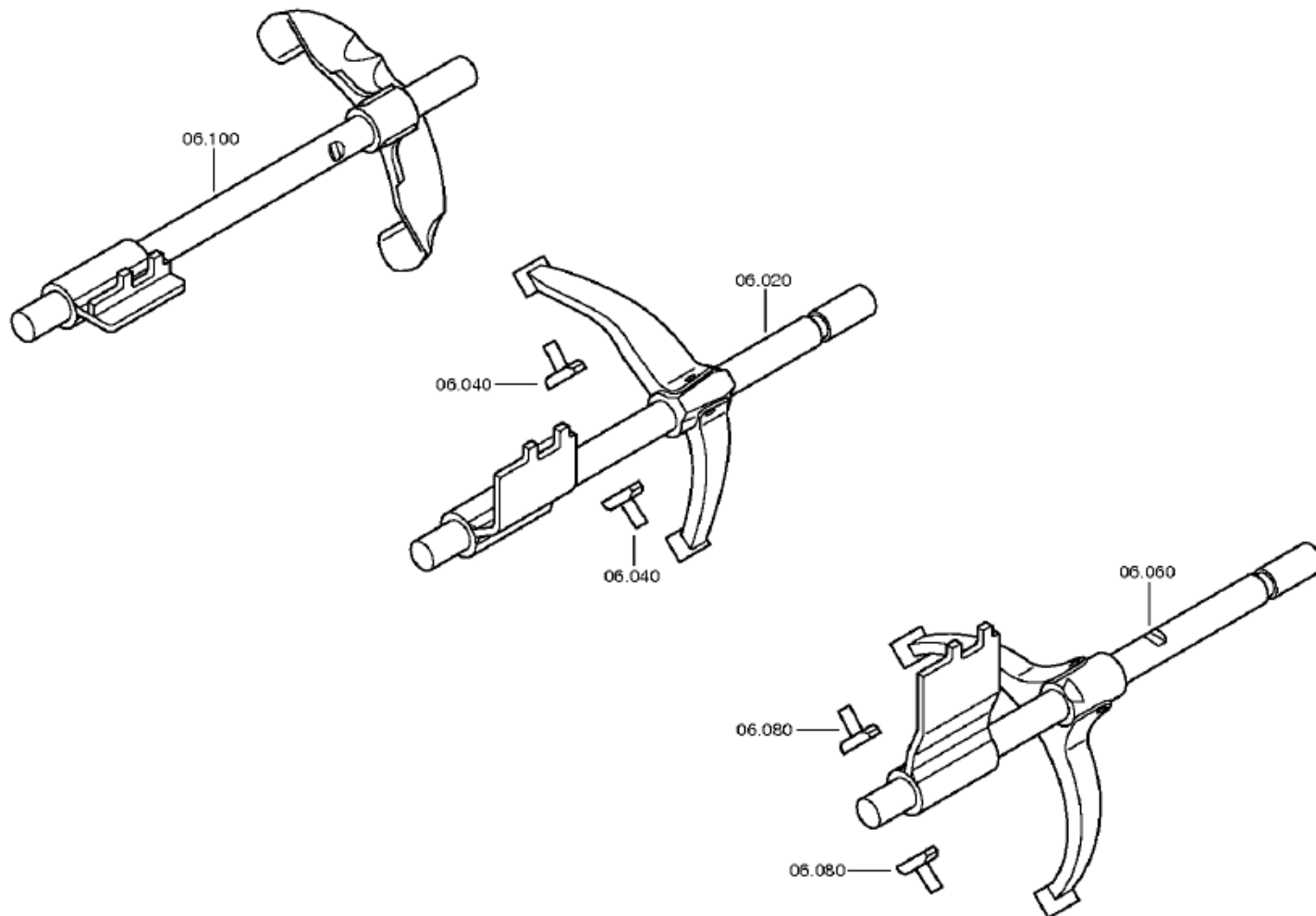
Material number: 1315.051.741

Plant: 068.06.01-1

SHIFT SYSTEM



16 S 151 IT /
SHIFT SYSTEM



Plant

Page 2 from 3

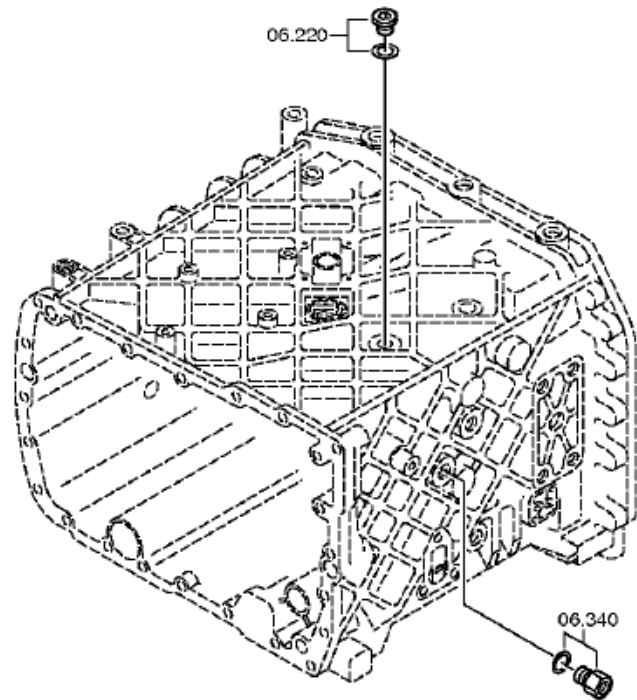
Material number: 1315.051.741

Plant: 068.06.44-1

SHIFT SYSTEM



16 S 151 IT /
SHIFT SYSTEM



Plant

Page 3 from 3

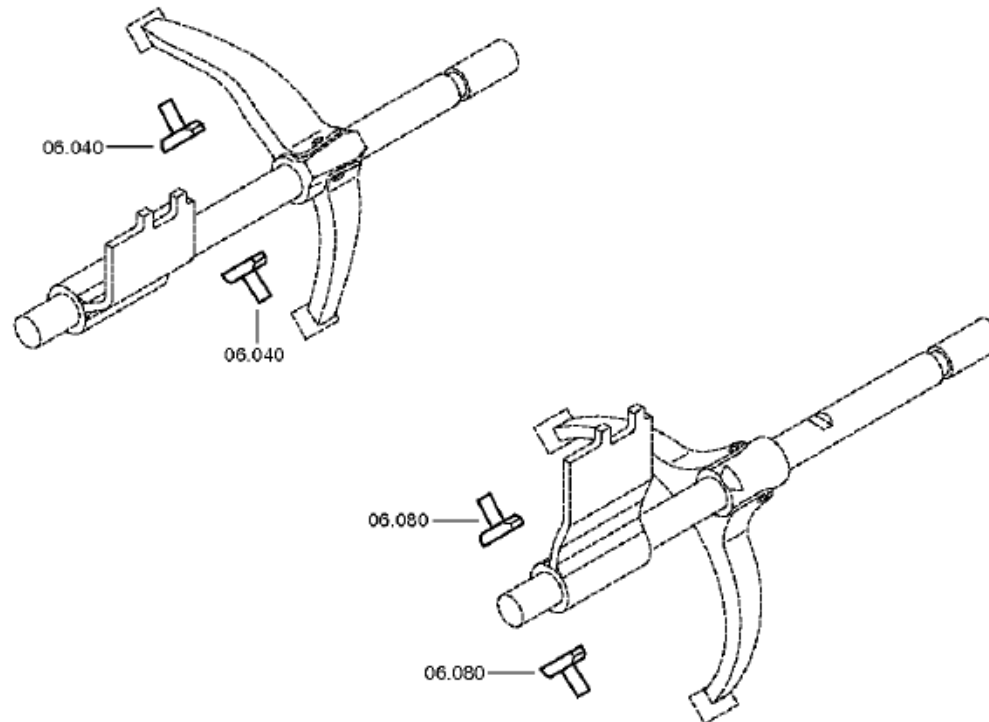
Material number: 1315.051.741

Plant: 068.06.80-1

SHIFT SYSTEM



16 S 151 IT /
SHIFT SYSTEM



Parts list

Page 1 from 1



16 S 151 IT /

Material number: 1315.051.741

Plant: 068.06.01-1

Material-assembly-group-no: 1315.106.008

Pos.	Material number	Customer material	Name	Quantity	ME	Amend. no.	Techn. Info.	Rep kit	Alternative material
20	1315.206.076	1827194	GEAR SHIFT RAIL	1			1+2GANG*KURZ*WI		
40	1316.306.015	5 5342 0	SLIDING PAD	2					
60	1315.206.079	1823163	GEAR SHIFT RAIL	1			3+4GANG*KURZ*WI		
80	1316.306.015	5 5342 0	SLIDING PAD	2					
100	1315.206.083	1823061	GEAR SHIFT RAIL	1			R-GANG*KURZ*WI		
220	---		SCREW PLUG	1		Z00010111513	35N.M*DICHTRING M18X1,5		
---	0636.100.791		SCREW PLUG	1		Z00010111521	M18X1,5		
---	0634.801.062	1804055	SEALING RING	1		Z00010111521	18X24		
340	---		ADAPTER	1			M18X1,5*M10		
---	1315.306.122		ADAPTER	1		Z00009805110			
---	0730.150.302	MX052886	SEALING RING	1			A=2,00 IN 0730 150 439(2)		

Plant

Page 1 from 5

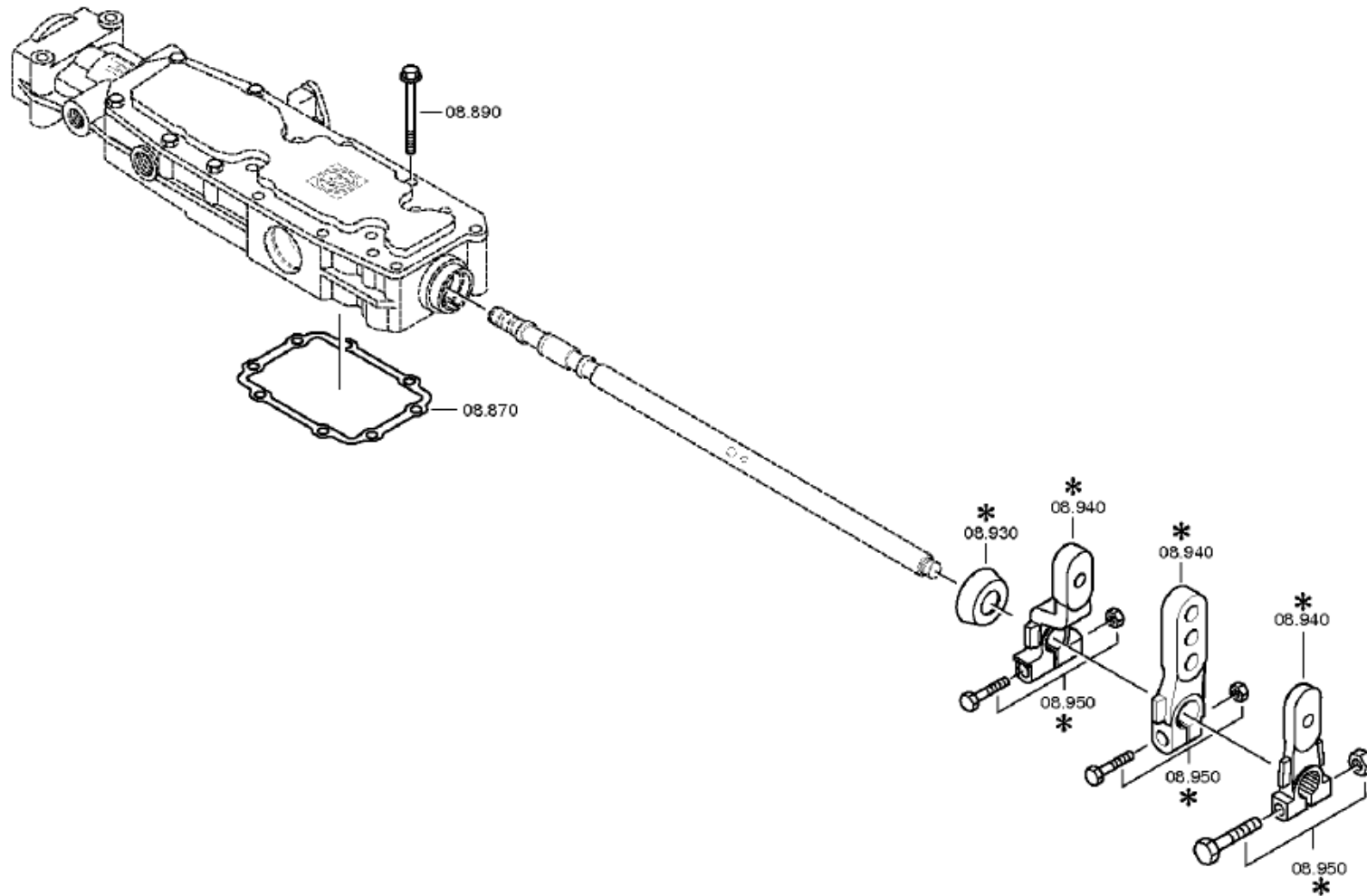
Material number: 1315.051.741

Plant: 068.07.81-1

GEAR SHIFT HOUSING



16 S 151 IT /
GEAR SHIFT HOUSING



Plant

Page 2 from 5

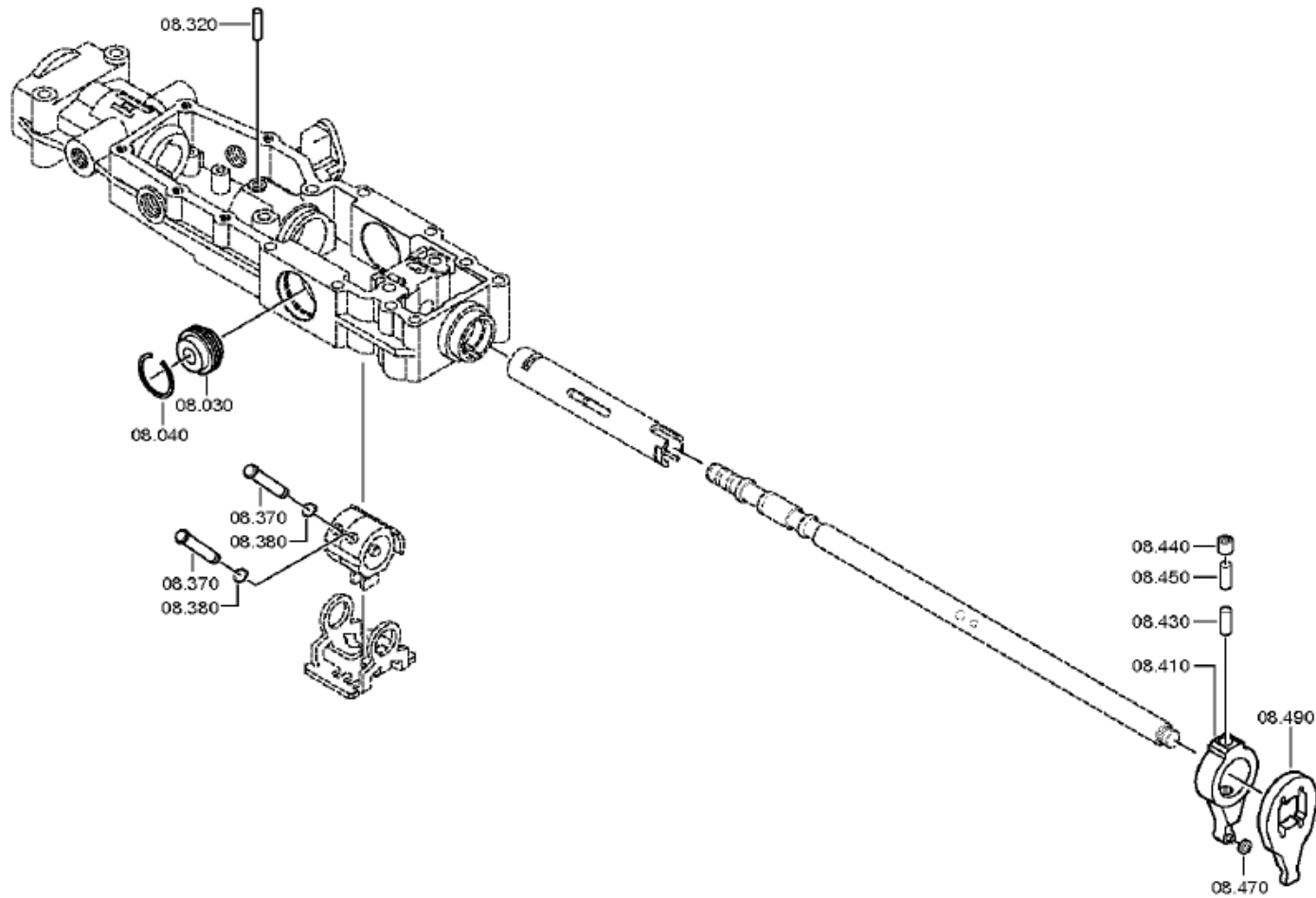
Material number: 1315.051.741

Plant: 068.07.25-1

GEAR SHIFT HOUSING



16 S 151 IT /
GEAR SHIFT HOUSING



Plant

Page 3 from 5

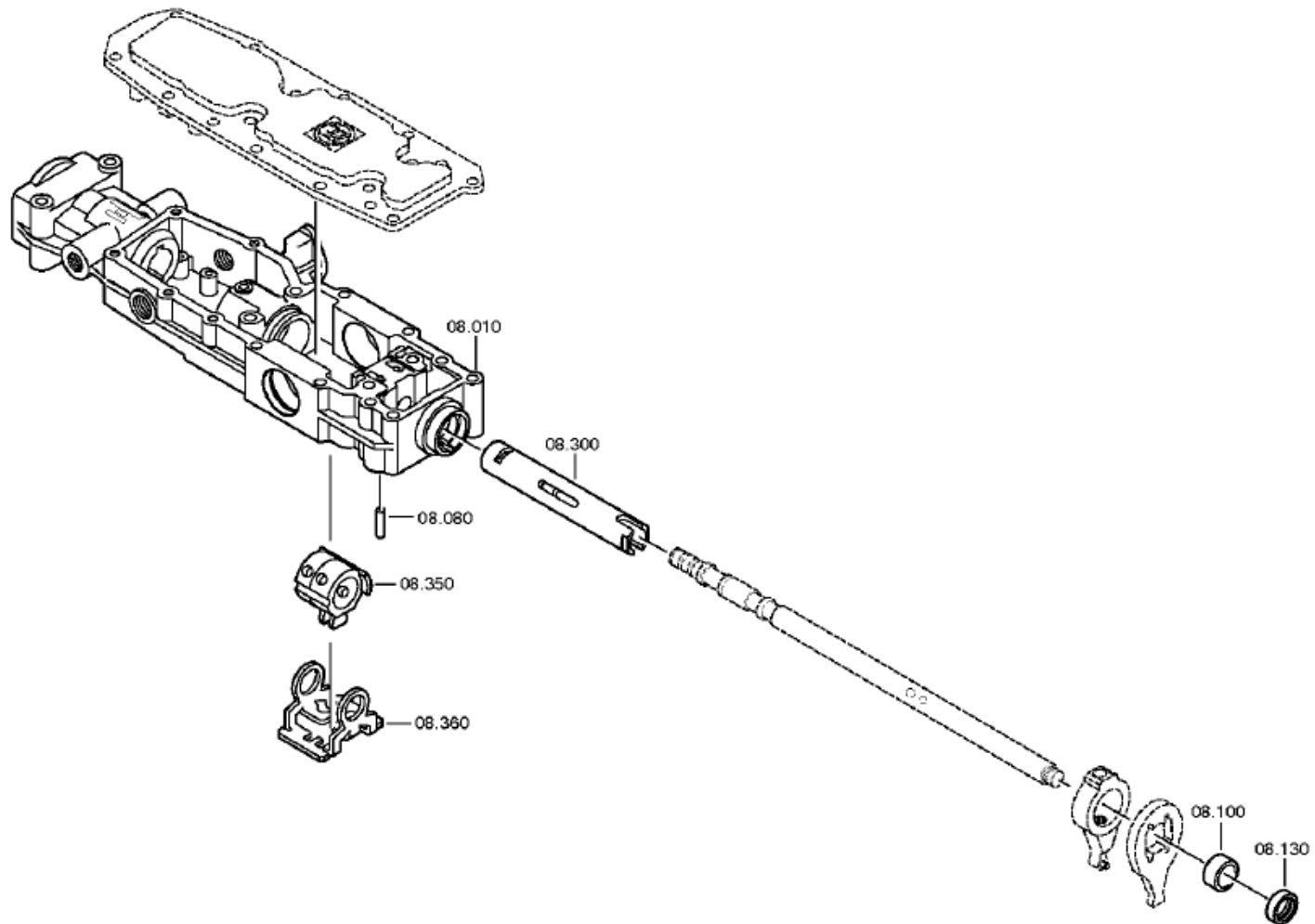
Material number: 1315.051.741

Plant: 068.07.36-1

GEAR SHIFT HOUSING



16 S 151 IT /
GEAR SHIFT HOUSING



Plant

Page 4 from 5

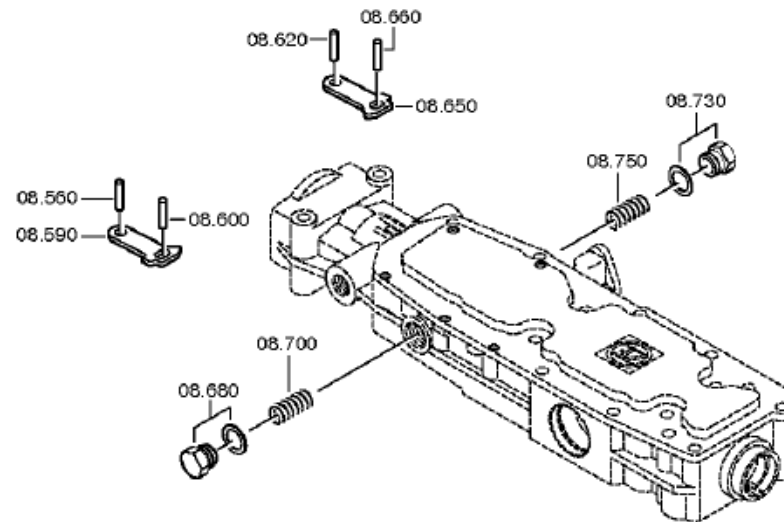
Material number: 1315.051.741

Plant: 068.07.55-1

GEAR SHIFT HOUSING



16 S 151 IT /
GEAR SHIFT HOUSING



Plant

Page 5 from 5

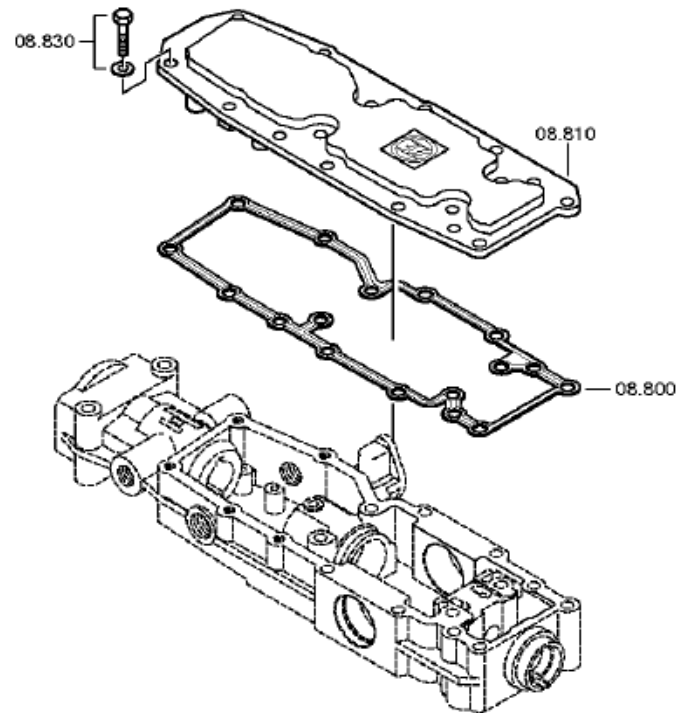
Material number: 1315.051.741

Plant: 068.07.57-1

GEAR SHIFT HOUSING



16 S 151 IT /
GEAR SHIFT HOUSING



Parts list

Page 1 from 2



16 S 151 IT /

Material number: 1315.051.741

Plant: 068.07.81-1

Material-assembly-group-no: 1316.108.812

Pos.	Material number	Customer material	Name	Quantity	ME	Amend. no.	Techn. Info.	Rep kit	Alternative material
10	1315.307.383		GEAR SHIFT HOUSING	1					
30	0501.209.212	5 5247 0	DETENT	1			KPL.		
40	0630.532.130	0630532130	V-RING	1					
80	0631.306.123	190003901424	CYLINDRICAL PIN	1			8X24		
100	0730.260.703	1394369	BUSH	1			A=13,70		
130	0734.309.765	1798267	SHAFT SEAL	1		C01005906F10	28X42X11 FA.SKT		
300	1315.307.294		QUILL SHAFT	1			ENTHALT.IN 1315.307.293(1)		
320	0731.201.702		PIN	1					
350	1315.307.734	1882041	DRIVER	1		Z00011746810			
360	1315.307.218	1394378	LOCKING PIECE	1					
370	1316.208.003		PIN	2			KPL.		
380	0630.501.006	P0436202H	RETAINING RING	2			10X1		
410	1316.208.002	1394380	VALVE LEVER	1			KPL.		
430	0731.201.732	1452229	PIN	1					
440	0635.303.019	1394383	NEEDLE BUSH	1			10X14X15		
450	0731.201.732	1452229	PIN	1					
470	1315.307.226	820-400-3340	ROLLER	1					
490	1315.307.292		LEVER	1					
560	0631.306.832		CYLINDRICAL PIN	1			6X20		
590	1315.307.203		DETENT LEVER	1					
600	0631.306.832		CYLINDRICAL PIN	1			6X20		
620	0631.306.832		CYLINDRICAL PIN	1			6X20		
650	1315.307.203		DETENT LEVER	1					
660	0631.306.832		CYLINDRICAL PIN	1			6X20		
680	---		SCREW	1		Z00010146310	M22X1,5		
---	1315.307.736		SCREW	1		Z00010146312	M22X1,5		
---	0730.009.515	0730009515	SEALING RING	1		Z00010146312	A22X27		
700	0732.041.500	1340061	COMPRESSION SPRING	1					
730	---		SCREW	1		Z00010146310	M22X1,5		
---	1315.307.736		SCREW	1		Z00010146312	M22X1,5		
---	0730.009.515	0730009515	SEALING RING	1		Z00010146312	A22X27		
750	0732.041.500	1340061	COMPRESSION SPRING	1					
800	0501.324.072	1796304	GASKET	1		C01003353F10			
810	1315.307.286		COVER	1		C01000020A10			

Parts list

Page 2 from 2



16 S 151 IT /

Material number: 1315.051.741

Plant: 068.07.81-1

Material-assembly-group-no: 1316.108.812

Pos.	Material number	Customer material	Name	Quantity	ME	Amend. no.	Techn. Info.	Rep kit	Alternative material
830	---		HEXAGON SCREW	5			M8X25		
---	0636.016.401		HEXAGON SCREW	5			M8X25		
---	0630.100.295		WASHER	5		Z00007158414			
870	1315.307.013	133-138-1020	GASKET	1					
890	0736.300.137	1197869	HEXAGON SCREW	8		Z00009195410	M8X80 M8X80		
930	1341.307.104		PROTECTION CAP	1		C01007034F10			
940	1316.307.422		SHIFT LEVER	1		Z00010357410	U559		
950	---		BOLT+NUT	1		Z00012297710	M10X65		
---	0636.100.713		HEXAGON SCREW	1		Z00007890810	M10X65		
---	0637.100.419		HEXAGON NUT	1		Z00007892710	M10		

Plant

Page 1 from 3

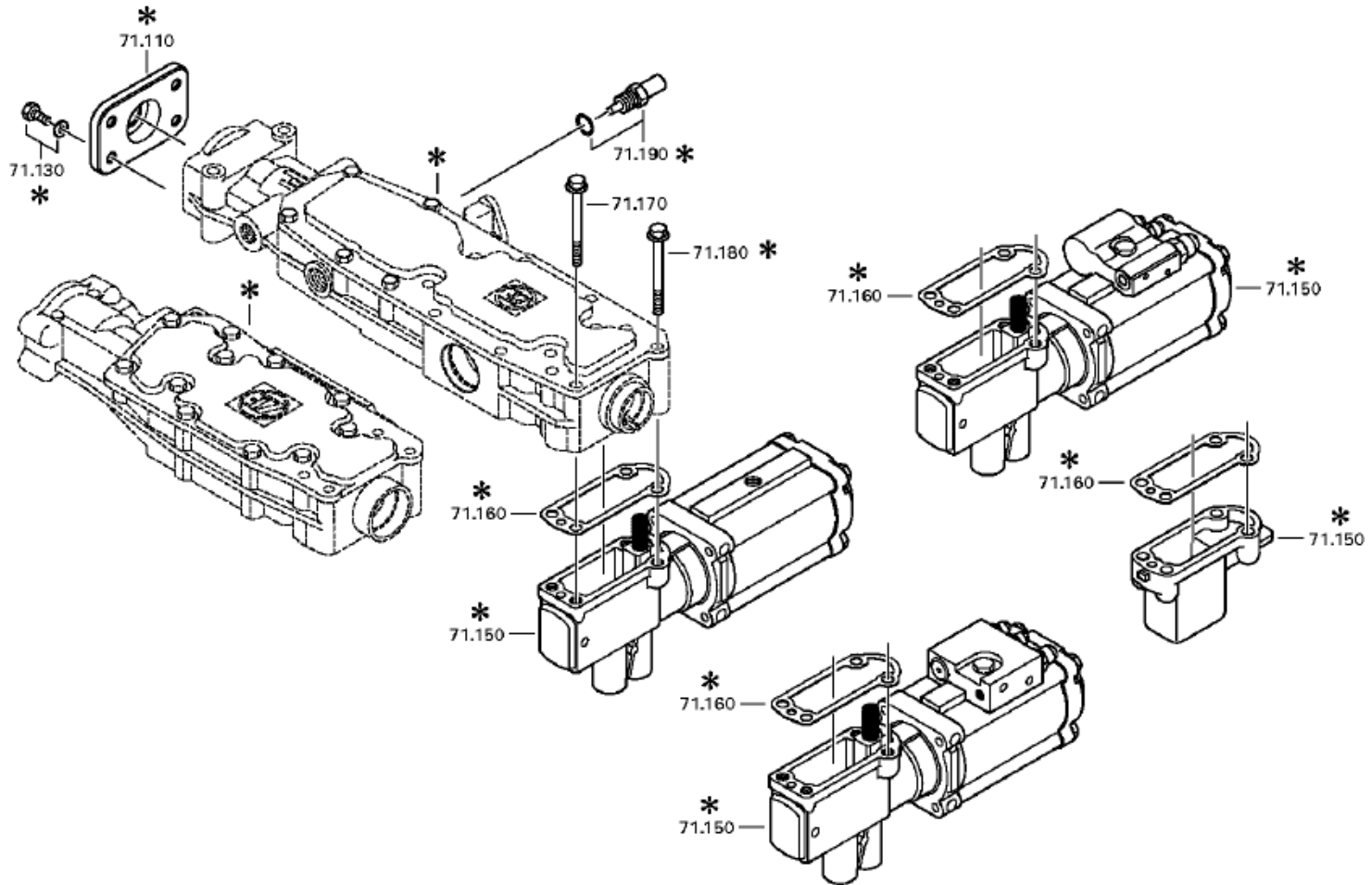
Material number: 1315.051.741

Plant: 062.08.30-1

END COVER



16 S 151 IT /
END COVER



Plant

Page 2 from 3

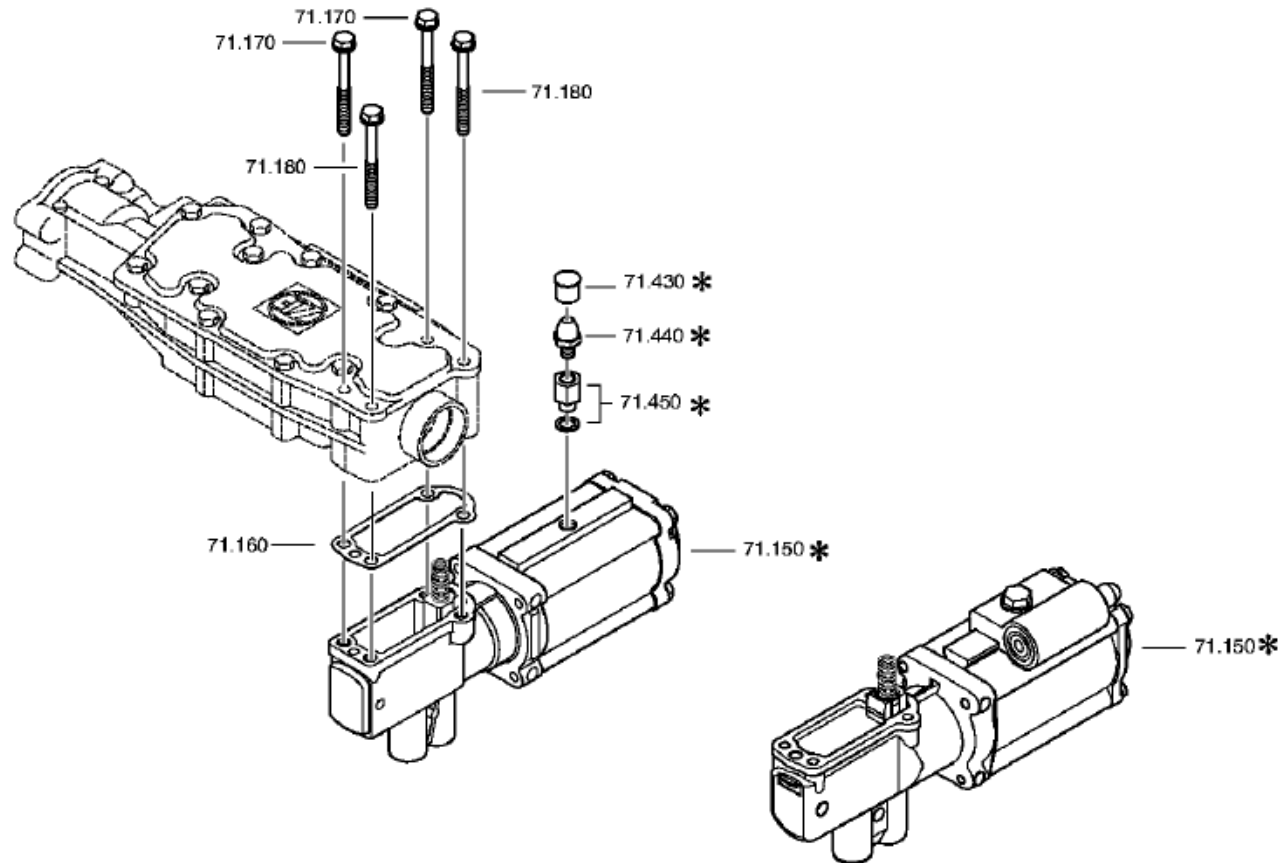
Material number: 1315.051.741

Plant: 068.08.02-1

END COVER



16 S 151 IT /
END COVER



Plant

Page 3 from 3

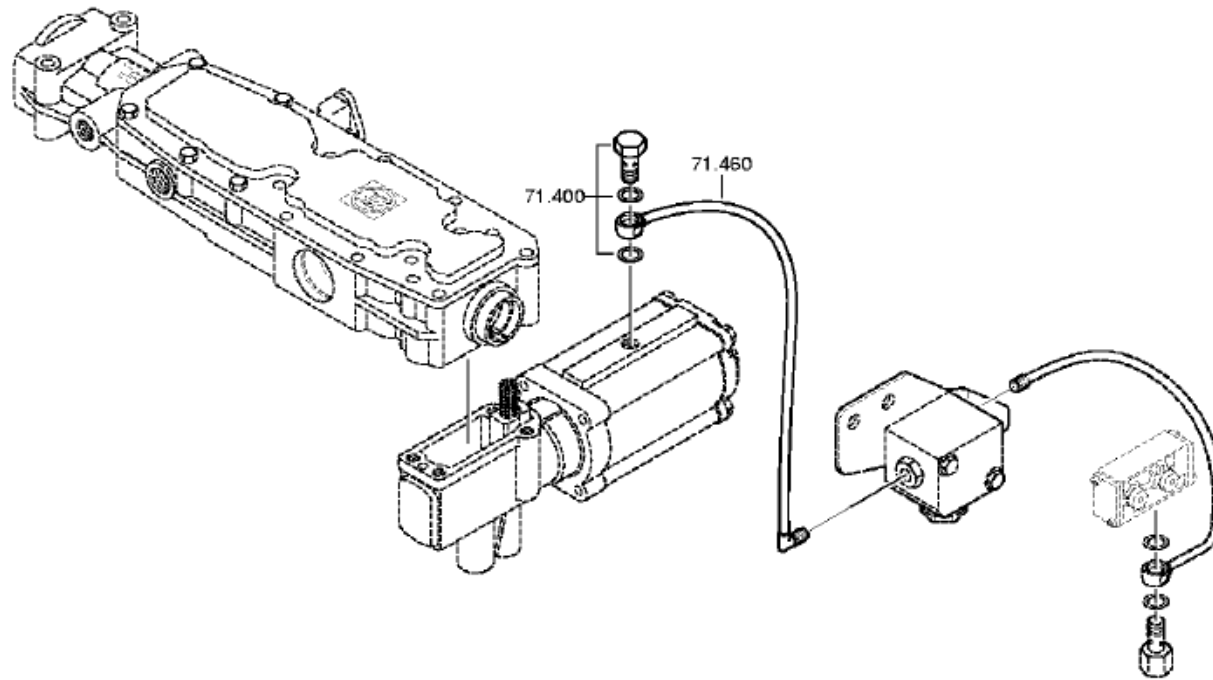
Material number: 1315.051.741

Plant: 068.08.92-1

END COVER



16 S 151 IT /
END COVER



Parts list

Page 1 from 1



16 S 151 IT /

Material number: 1315.051.741

Plant: 062.08.30-1

Material-assembly-group-no: 1316.171.403

Pos.	Material number	Customer material	Name	Quantity	ME	Amend. no.	Techn. Info.	Rep kit	Alternative material
110	1341.307.113		COVER	1		Z00009271410			
130	---		HEXAGON SCREW	4		Z00007891111	M8X20		
---	0636.100.796		HEXAGON SCREW	4		Z00007891120	M8X20		
---	0630.100.295		WASHER	4		Z00007158414			
150	0501.210.732		PNEUMATIC SERVO UNIT	1			KPL.		
160	1315.307.242	1389649	GASKET	1					
170	0736.300.137	1197869	HEXAGON SCREW	2		Z00009195410	M8X80 M8X80		
180	---		HEXAGON SCREW	2		Z00009195410	M8X80		
---	0736.300.137	1197869	HEXAGON SCREW	2		Z00009195414	M8X80 M8X80		
---	0666.790.033		SEAL.COMPOUND	2		Z00009195414			
400	---		UNION SCREW	1		Z00010274712			
---	0637.835.808	99946200	UNION SCREW	1		Z00013005810			
---	0634.801.331	100CP4955	SEALING RING	1		Z00010274715	12X18		
460	1315.209.007		TUBE	1			KPL.L=250*8X1*PSE-DRUCKM.		
/110	0637.100.422		RING PIECE	1		Z00007956611			
/120	0632.704.032		TUBE	250		Z00021234711	8X1		
/130	0637.885.687		PLUG NIPPLE	1					

Plant

Page 1 from 2

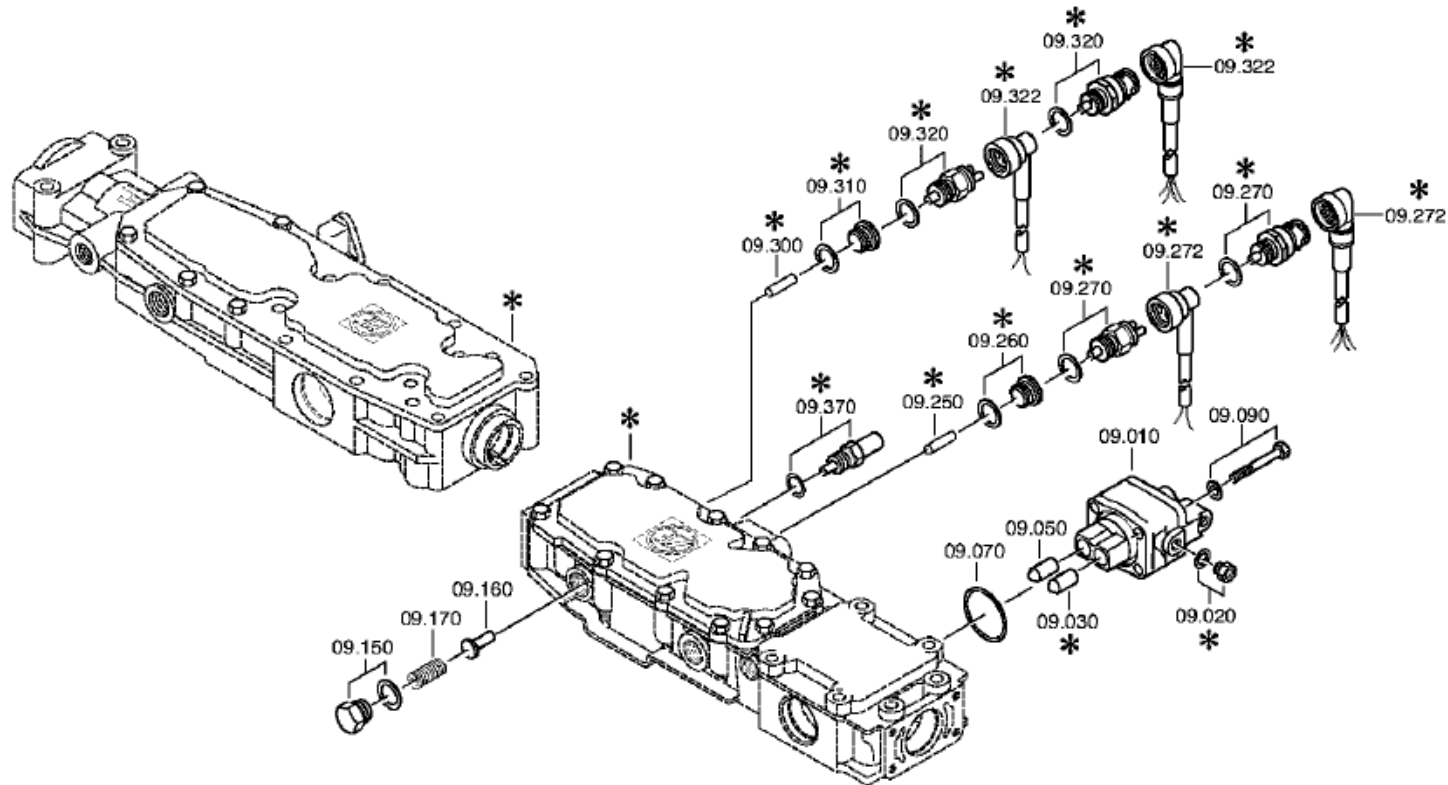
Material number: 1315.051.741

Plant: 068.09.01-1

CONNECTING PARTS



16 S 151 IT /
CONNECTING PARTS



Plant

Page 2 from 2

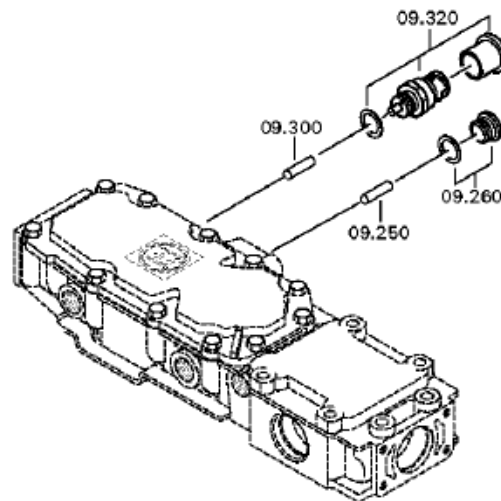
Material number: 1315.051.741

Plant: 068.09.43-1

CONNECTING PARTS



16 S 151 IT /
CONNECTING PARTS



Parts list

Page 1 from 1



16 S 151 IT /

Material number: 1315.051.741

Plant: 068.09.01-1

Material-assembly-group-no: 1316.109.024

Pos.	Material number	Customer material	Name	Quantity	ME	Amend. no.	Techn. Info.	Rep kit	Alternative material
10	6038.202.043	5 6065 0	CUT-OFF VALVE	1		C01002143C10	KPL.H-H*ZULUFTDROSSEL 1,55		
30	0501.209.188	5 6102 0	BALL CASTER	1			KPL.		
50	0501.209.188	5 6102 0	BALL CASTER	1			KPL.		
70	0634.313.505	1295216	O-RING	1			42X3		
90	---		HEXAGON SCREW	4		Z00007054112	M8X65		
---	0636.100.519		HEXAGON SCREW	4		Z00007054110	M8X65		
---	0630.100.295		WASHER	4		Z00007158414			
150	---		SCREW	1		Z00010146310	M22X1,5		
---	1315.307.736		SCREW	1		Z00010146312	M22X1,5		
---	0730.009.515	0730009515	SEALING RING	1		Z00010146312	A22X27		
160	1315.307.384		BOLT	1		C01003958B10	ENTHALT.IN 1250 307 589(2)		
170	0732.040.985	5 5874 0	COMPRESSION SPRING	1					
250	0731.201.446		PIN	1			ENTHALT.IN 0731 201 445(2)		
260	---		SCREW PLUG	1		Z00010111513	35N.M*DICHTRING M18X1,5		
---	0636.100.791		SCREW PLUG	1		Z00010111521	M18X1,5		
---	0634.801.062	1804055	SEALING RING	1		Z00010111521	18X24		
300	0731.208.230	ZF-0731 208 230	PIN	1			A=30,0		
320	---		SWITCH	1		Z00025033610	SCHL*45N.M*DICHTRING*BAJONETT* SCHUTZKAPPE		
---	0501.331.660	2007380	SWITCH	1		Z00025033617			
---	0634.801.062	1804055	SEALING RING	1		Z00025033617	18X24		

Plant

Page 1 from 1

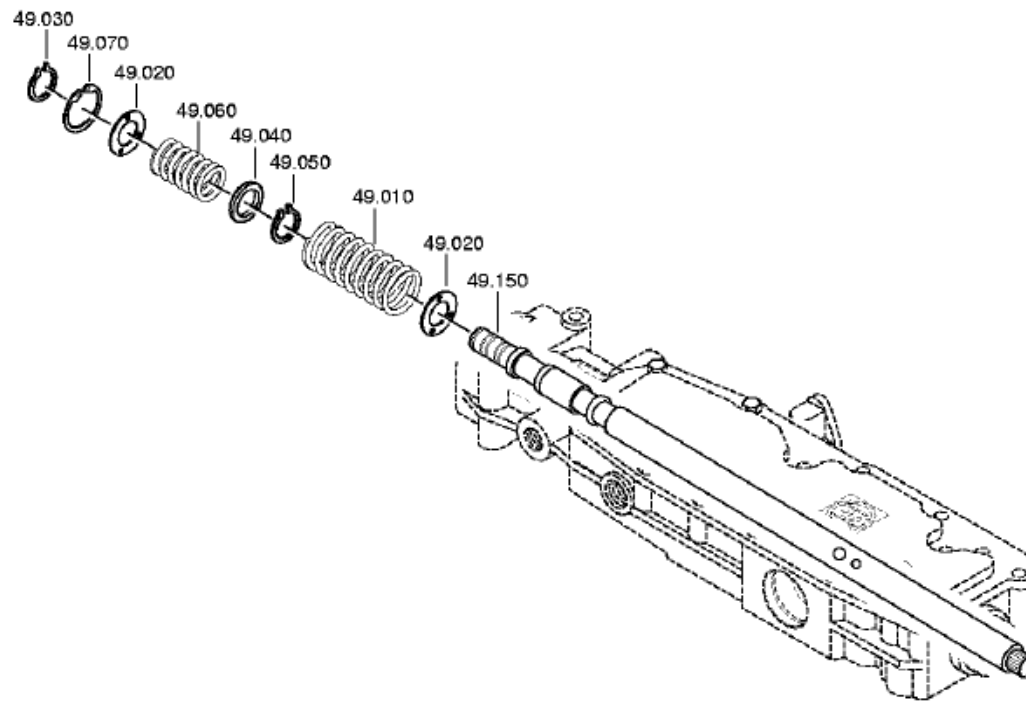
Material number: 1315.051.741

Plant: 068.12.16-1

Material-assembly-group-no: 1316.149.411



16 S 151 IT /
SET OF SPRINGS



Parts list

Page 1 from 1



16 S 151 IT /

Material number: 1315.051.741

Plant: 068.12.16-1

Material-assembly-group-no: 1316.149.411

Pos.	Material number	Customer material	Name	Quantity	ME	Amend. no.	Techn. Info.	Rep kit	Alternative material
10	0732.042.684		COMPRESSION SPRING	1					
20	0730.301.376	1884285	WASHER	2		Z00008917410			
30	0630.532.138	5004143	V-RING	1					
40	0730.301.374		WASHER	1		Z00008917310	A=2,00 A=2,00		
50	0630.532.138	5004143	V-RING	1					
60	0732.040.904		COMPRESSION SPRING	1					
70	0630.502.022	100CP2729	RETAINING RING	1			40X1,75		
150	1315.307.264	1315307264	GEARSHIFT SHAFT	1			LI		

Plant

Page 1 from 2

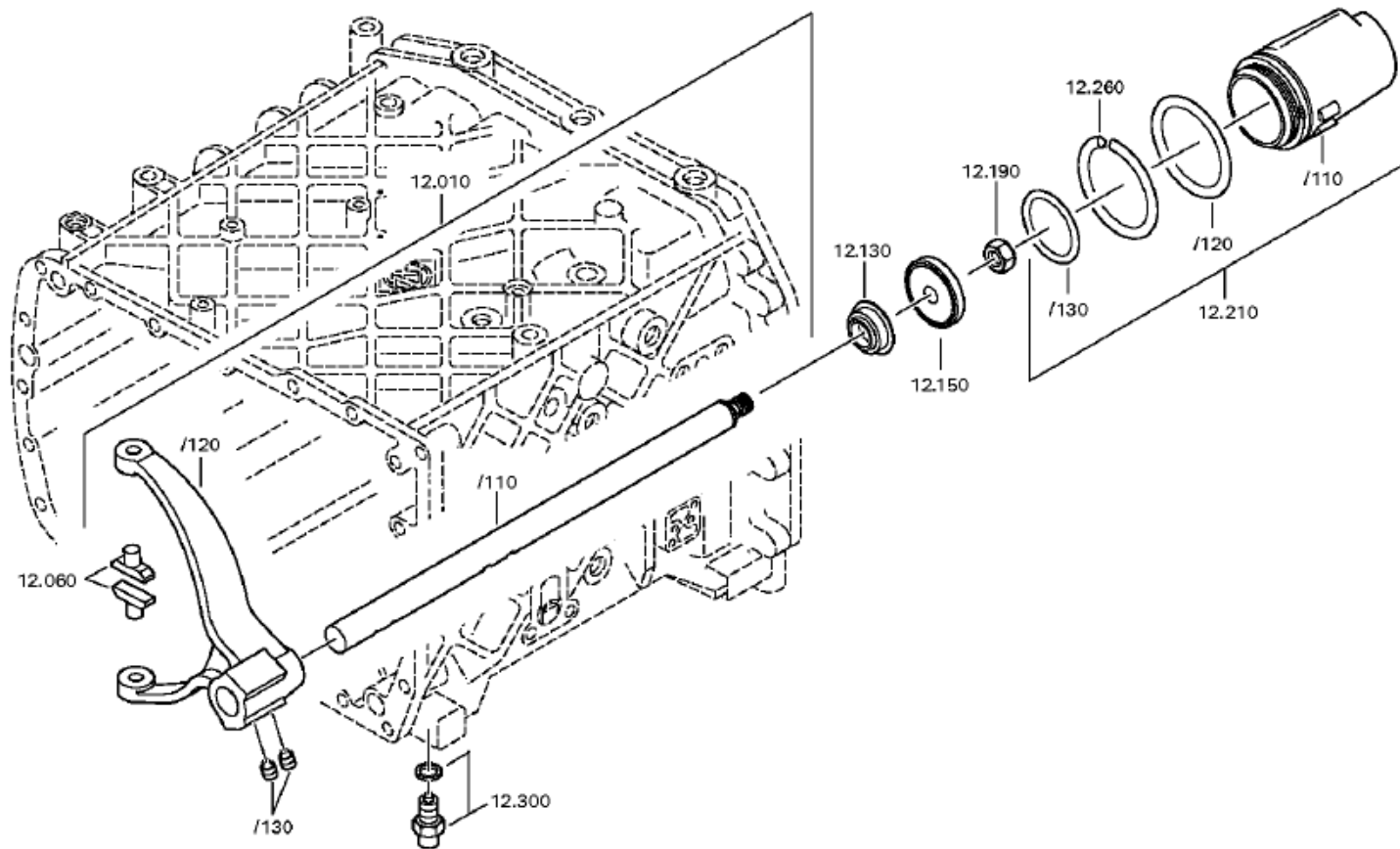
Material number: 1315.051.741

Plant: 068.40.04-1

GV-SHIFT SYSTEM



16 S 151 IT /
GV-SHIFT SYSTEM



Plant

Page 2 from 2

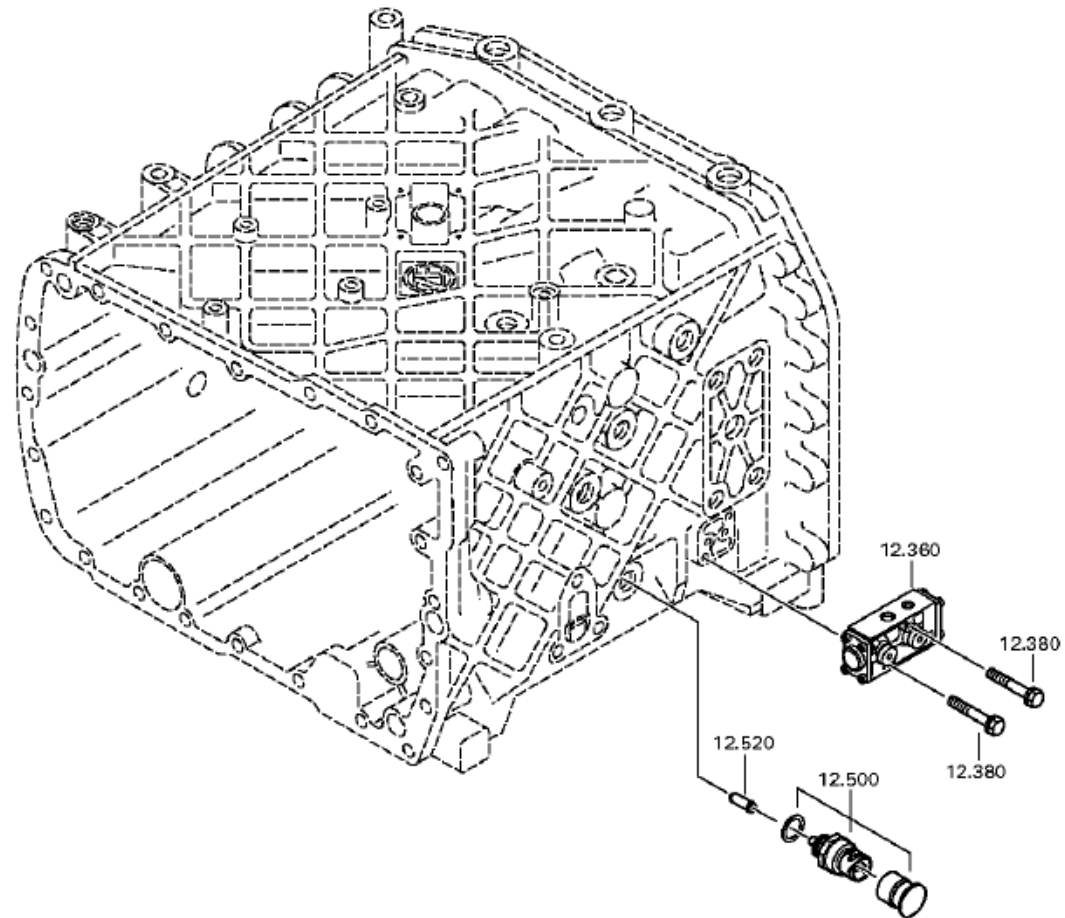
Material number: 1315.051.741

Plant: 068.40.41-1

GV-SHIFT SYSTEM



16 S 151 IT /
GV-SHIFT SYSTEM



Parts list

Page 1 from 1



16 S 151 IT /

Material number: 1315.051.741

Plant: 068.40.04-1

Material-assembly-group-no: 1315.112.017

Pos.	Material number	Customer material	Name	Quantity	ME	Amend. no.	Techn. Info.	Rep kit	Alternative material
10	1315.212.013		GEAR SHIFT RAIL	1		Z00012212711	KPL.GV.LAG.GEH.1		
/110	1315.312.073		GEAR SHIFT RAIL	1					
/120	1315.312.074		GEAR SHIFT FORK	1			GV ECO 3		
/130	1315.312.047	42172912	SET SCREW	2			M12X1		
60	1316.306.015	5 5342 0	SLIDING PAD	2		Z00012212711			
130	0750.112.131	8 8342 0	FLANGE PACKING	1		Z00012212711	25X40X15		
150	0501.324.670	1887735	PISTON	1		Z00012212711			
190	0737.300.037	1874075	LOCKING NUT	1			MS16X1,5		
210	1315.212.010		CYLINDER	1		Z00012212711	KPL.		
/110	1315.312.048	5 5336 0	CYLINDER	1			ENTHALT.IN 1315 312 033(1)		
/120	0634.313.018		O-RING	1			82X3		
/130	0634.313.320	8 8327 0	O-RING	1			67X3		
260	1315.312.034		SPRING	1		Z00012212711			
300	---		DETENT PLUNGER	1		Z00012212711	235N*50N.M		
---	1324.207.033	H0472564	DETENT PLUNGER	1			KPL. *235 N		
---	0730.008.604	1638154	SEALING RING	1		C01009860C10			
360	0501.219.310	1897664	5/2 WAY VALVE	1		Z00015060511			
380	0636.100.468	1897021	SCREW WITH WASHER ASSEMBLY	2		Z00021359310	M6X40		
500	---		SWITCH	1		Z00025033610	SCHL*45N.M*DICHTRING*BAJONETT* SCHUTZKAPPE		
---	0501.331.660	2007380	SWITCH	1		Z00025033617			
---	0634.801.062	1804055	SEALING RING	1		Z00025033617	18X24		
520	1295.212.006		PIN	1			KPL.		

Plant

Page 1 from 4

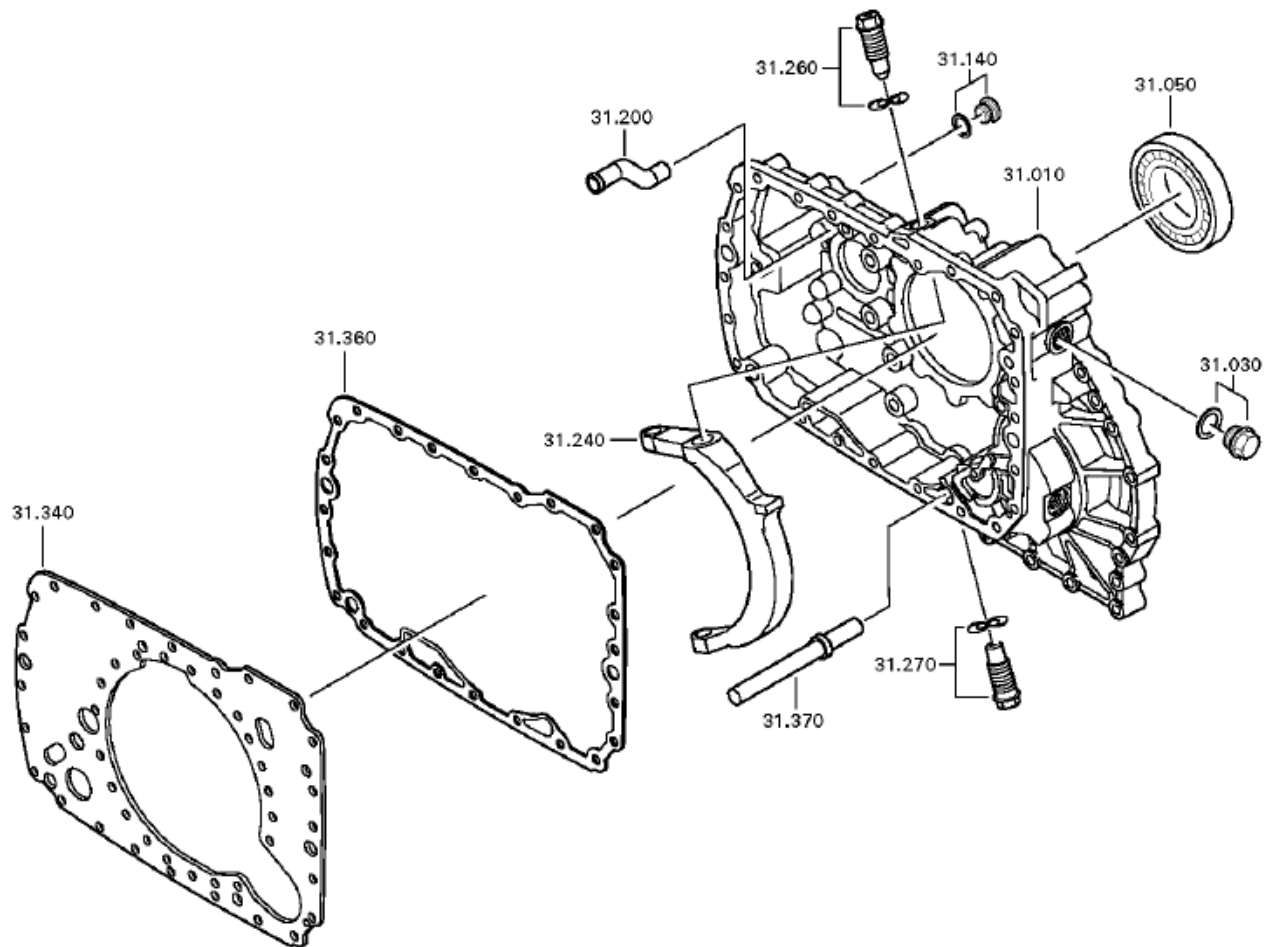
Material number: 1315.051.741

Plant: 068.43.01-1

RC HOUSING



16 S 151 IT /
RC HOUSING



Plant

Page 2 from 4

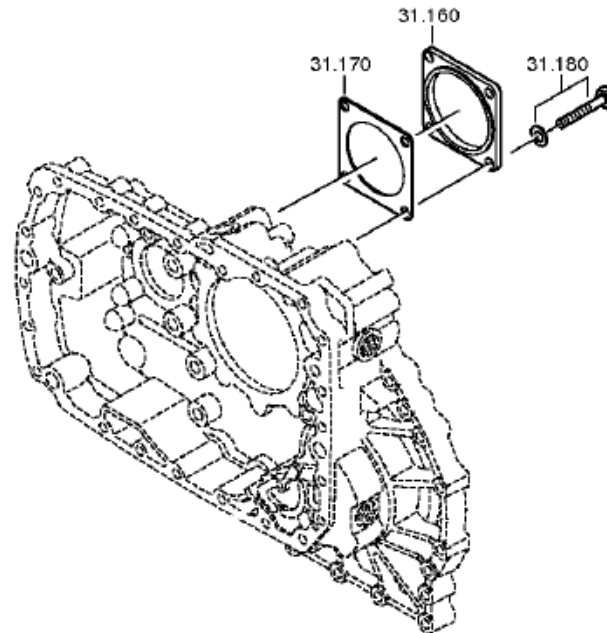
Material number: 1315.051.741

Plant: 068.43.42-1

RC HOUSING



16 S 151 IT /
RC HOUSING



Plant

Page 3 from 4

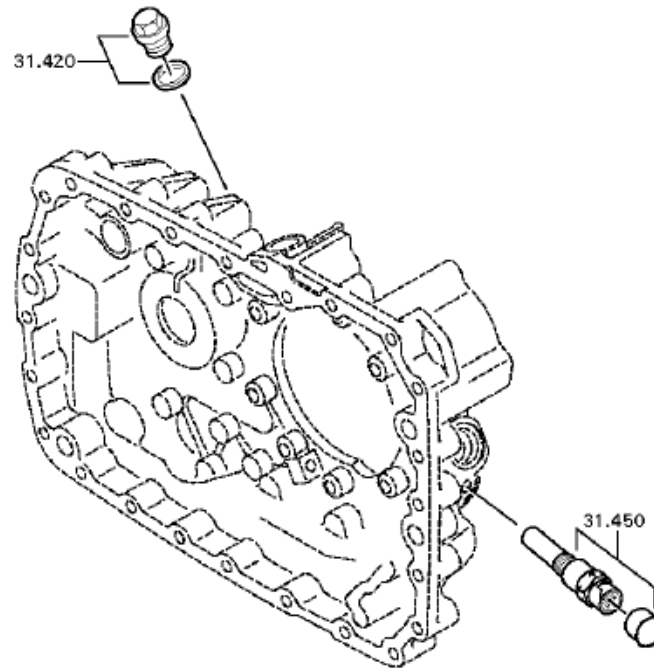
Material number: 1315.051.741

Plant: 068.43.43-1

RC HOUSING



16 S 151 IT /
RC HOUSING



Plant

Page 4 from 4

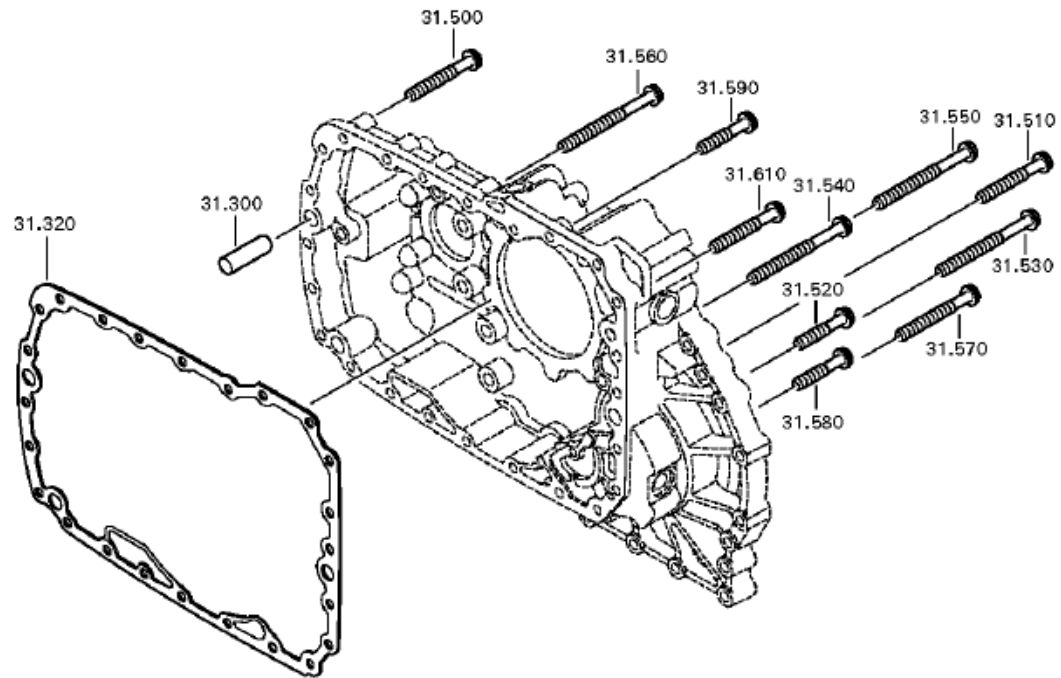
Material number: 1315.051.741

Plant: 068.43.81-1

RC HOUSING



16 S 151 IT /
RC HOUSING



Parts list

Page 1 from 2



16 S 151 IT /

Material number: 1315.051.741

Plant: 068.43.01-1

Material-assembly-group-no: 1315.131.038

Pos.	Material number	Customer material	Name	Quantity	ME	Amend. no.	Techn. Info.	Rep kit	Alternative material
10	6085.201.079	1670949	HOUSING	1		C01007191D10	KPL.		
30	---		SCREW PLUG	1		Z00010112111	60N.M*DICHTRING M24X1,5		
---	0636.304.088	1882905	SCREW PLUG	1		Z00010112110	M24X1,5		
---	0730.008.637	1428103	SEALING RING	1		Z00010112110	24X29		
50	0750.116.394	5 8092 0	BALL BEARING	1		C01000276D10	90,0X160,0X30,0		
140	---		SCREW PLUG	1		C01004359F10	15N.M*DICHTRING M10X1		
---	0636.100.793		SCREW PLUG	1		Z00010111613	M10X1		
---	0730.008.055		SEALING RING	1			10X14		
160	1328.301.170	1878388	COVER	1		Z00008068010			
170	1238.308.201	5006880	GASKET	1			ENTHALT.IN 1238 308 202(2)		
180	---		HEXAGON SCREW	4		Z00007061014	M12X25		
---	0636.016.406		HEXAGON SCREW	4		Z00007061018	M12X25		
---	0630.100.284		WASHER	4		Z00007158217			
200	1296.301.008	70561090	SPRAY TUBE	1					
240	1315.334.039		GEARSHIFT FORK	1					
260	---		SWIVEL SCREW	1		Z00004075611	O.SCHEIBE M24X1,5 SK6		
---	1315.334.074	1877888	SWIVEL SCREW	1		Z00004075610			
270	---		SWIVEL SCREW	1			SEK-RET UNTEN M24X1,5 SK6		
---	1315.334.075		SWIVEL SCREW	1		Z00004075612			
300	0731.201.563	1290941	CYLINDRICAL PIN	3					
320	1316.301.053	H1183558	GASKET	1					
340	1315.301.118	H0166247	INTERMEDIATE PLATE	1			ENTHALT.IN 1315 301 144(0)		
360	1316.301.053	H1183558	GASKET	1					
370	1315.201.116		TUBE	1			KPL. IN 1316 201 105(1)		
420	---		SCREW PLUG	1			35N.M*DICHTRING*FLAECHEHDICHT G. M18X1,5		
---	0636.100.791		SCREW PLUG	1		Z00010111513	M18X1,5		
---	0634.801.155	1000000310	SEALING RING	1			18X24		
450	---		PULSE SENSOR	1		Z00004287211	L=19,8*35N.M*FLAE.DICHTG* SCHUTZKAPPE		
---	0501.208.791	11025310011	PULSE SENSOR	1		Z00004287210			
---	0666.790.033		SEAL.COMPOUND	1		Z00004287210			
500	0736.300.123	1880233	HEXAGON SCREW	11			M10X70 M10X70		
510	0736.300.123	1880233	HEXAGON SCREW	1			M10X70 M10X70		

Parts list

Page 2 from 2



16 S 151 IT /

Material number: 1315.051.741

Plant: 068.43.01-1

Material-assembly-group-no: 1315.131.038

Pos.	Material number	Customer material	Name	Quantity	ME	Amend. no.	Techn. Info.	Rep kit	Alternative material
520	0736.300.134		HEXAGON SCREW	1		Z00009404310	M10X45 M10X45		
530	0736.300.122		HEXAGON SCREW	1		Z00009403110	M10X110 M10X110		
540	0736.300.122		HEXAGON SCREW	2		Z00009403110	M10X110 M10X110		
550	0736.300.122		HEXAGON SCREW	1		Z00009403110	M10X110 M10X110		
560	0736.300.122		HEXAGON SCREW	2		Z00009403110	M10X110 M10X110		
570	---		HEXAGON SCREW	1		Z00006835210	M10X70		
---	0736.300.123	1880233	HEXAGON SCREW	1			M10X70 M10X70		
---	0666.690.215		JOINTING COMPOUND	1		Z00006835211			
580	0736.300.134		HEXAGON SCREW	1		Z00009404310	M10X45 M10X45		
590	0736.300.134		HEXAGON SCREW	1		Z00009404310	M10X45 M10X45		
610	0736.300.123	1880233	HEXAGON SCREW	1			M10X70 M10X70		

Plant

Page 1 from 1

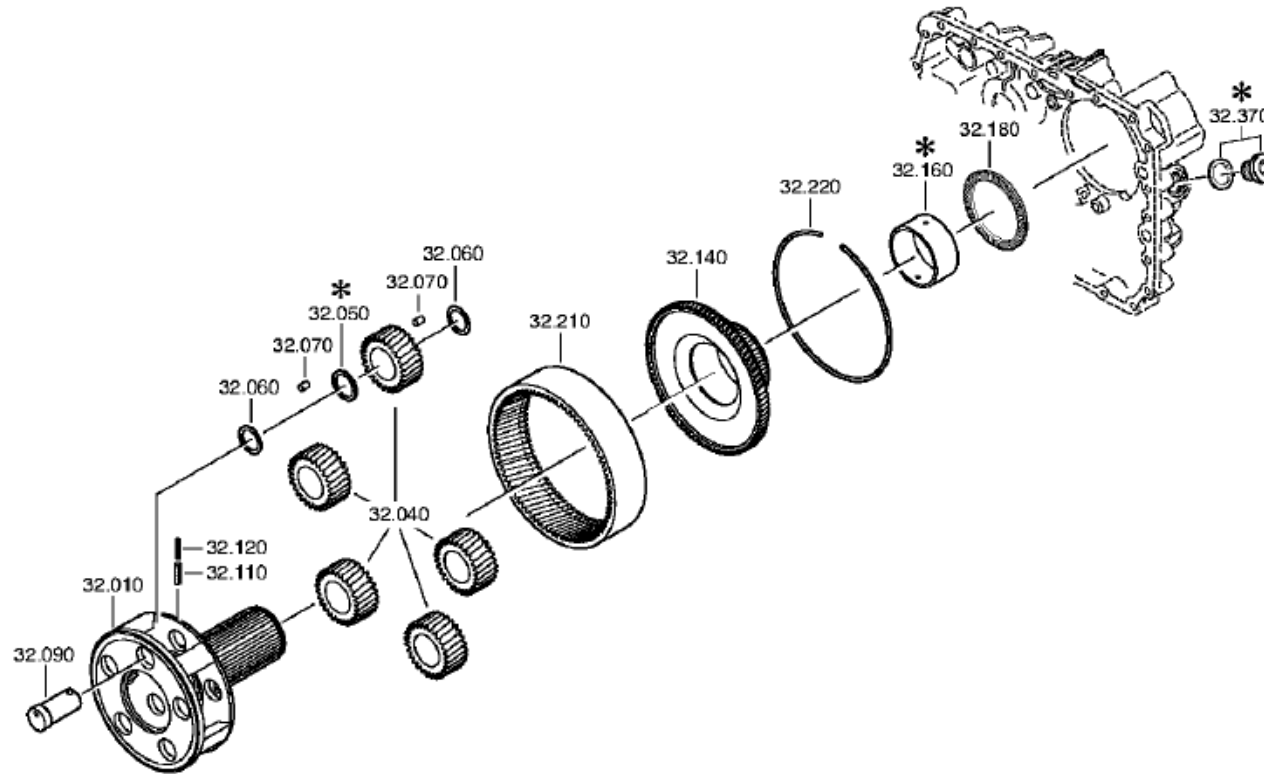
Material number: 1315.051.741

Plant: 068.44.07-1

Material-assembly-group-no: 1315.132.016



16 S 151 IT /
PLANETARY DRIVE



Parts list

Page 1 from 1



16 S 151 IT /

Material number: 1315.051.741

Plant: 068.44.07-1

Material-assembly-group-no: 1315.132.016

Pos.	Material number	Customer material	Name	Quantity	ME	Amend. no.	Techn. Info.	Rep kit	Alternative material
10	1315.232.027	1899824	PLANET CARRIER	1		Z00014438011			
40	1315.232.010	5 5353 0	PLANET GEAR SET	1			KPL.		
60	0730.107.168		INTERMEDIATE WASHER	15			A=1,00 IN 0730 105 951(2)		
70	0750.119.116	42140312	ROLLER	140			10,0X16,8		
90	1315.332.091	1899830	PLANET SHAFT	5		Z00014438011			
110	0631.329.147	1909945	SLOTTED PIN	5		Z00014438011	6X26		
120	0631.329.261	1909946	SLOTTED PIN	5			3,5X26		
140	1316.332.130	1808019	RING GEAR CARRIER	1					
180	0735.298.169	5 8159 0	AXIAL NEEDLE BEARING	1			104,5X128,4X10,0 FA.INA		
210	1315.332.041	5 5867 0	RING GEAR	1			IN 1316 332 055(1)		
220	0730.513.583		LOCKING WIRE	1			A=3,20 IN 0730 505 052(2)		

Plant

Page 1 from 2

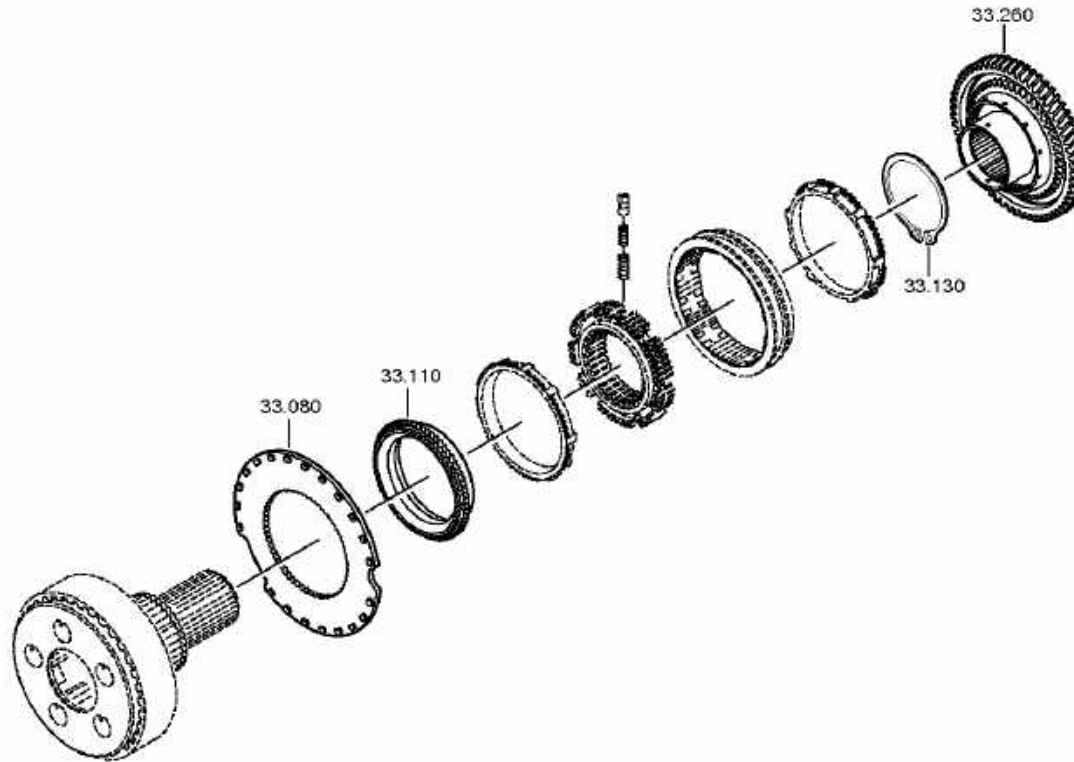
Material number: 1315.051.741

Plant: 068.45.03-1

SYNCHRONIZER



16 S 151 IT /
SYNCHRONIZER



Plant

Page 2 from 2

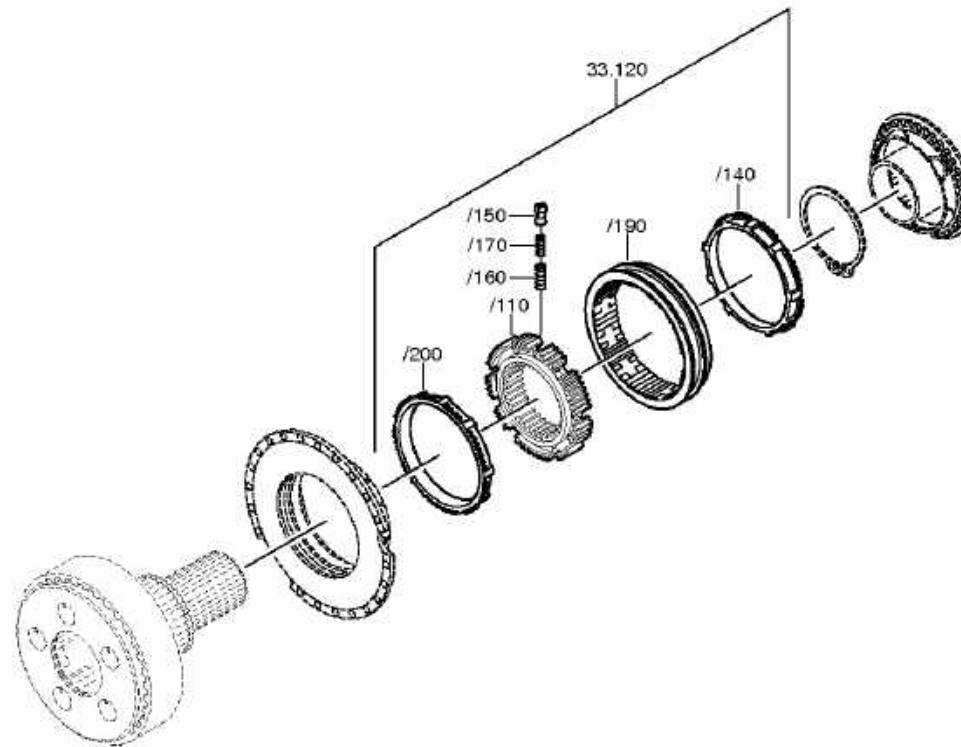
Material number: 1315.051.741

Plant: 068.45.40-1

SYNCHRONIZER



16 S 151 IT /
SYNCHRONIZER



Parts list

Page 1 from 1



16 S 151 IT /

Material number: 1315.051.741

Plant: 068.45.03-1

Material-assembly-group-no: 1316.133.010

Pos.	Material number	Customer material	Name	Quantity	ME	Amend. no.	Techn. Info.	Rep kit	Alternative material
80	1296.333.046	1450534	CLUTCH DISC	1			ENTHALT.IN 1296 333 051(1)		
110	1296.333.050	5 5302 0	CLUTCH BODY	1		C01002627A10	ENTHALT.IN 1296.333.053(1)		
120	1316.233.022		SYNCHRONIZER	1			KPL.PROFIL 80GV-GP 90SV-GP		
/110	1313.333.001	0069909	SYNCHRO.BODY	1			ENTHALT.IN 1296 333 014(1)		
/140	1296.333.045	5 5301 0	SYNCHRO.RING	1					
/150	1240.304.278	3362640239	PRESSURE PART	9					
/160	0732.040.385	3362640693	COMPRESSION SPRING	9					
/170	0732.040.386	3362640793	COMPRESSION SPRING	9					
/190	1316.333.034	1780340	SLIDING SLEEVE	1		C01007317F10	ZF-B 165/74 GP		
/200	1296.333.045	5 5301 0	SYNCHRO.RING	1					
130	0630.501.175	0692274	RETAINING RING	1		Z00006943010	125X3,7		
260	1316.233.028	1813164	CLUTCH BODY	1			KPL. ZF-B 165/74		

Plant

Page 1 from 2

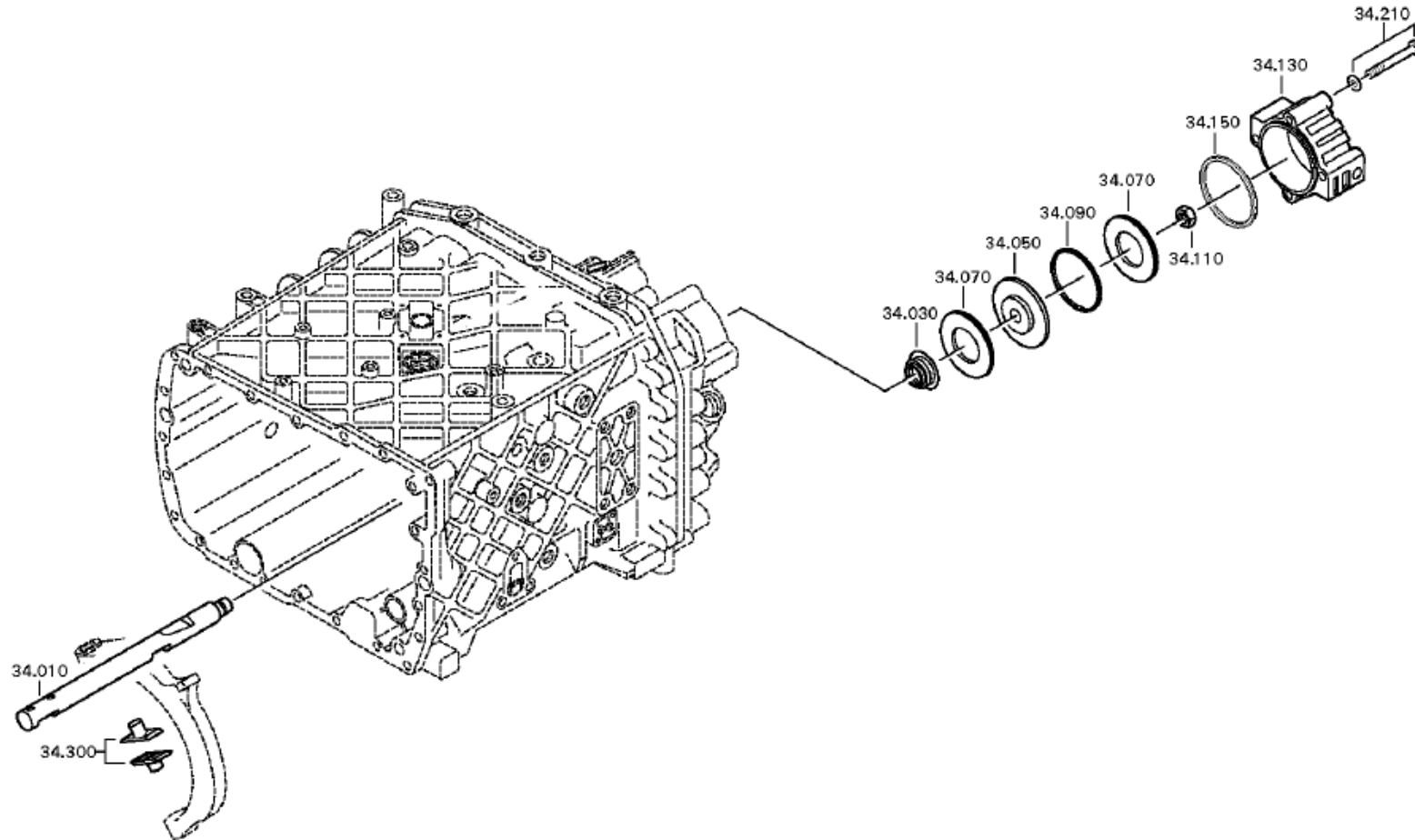
Material number: 1315.051.741

Plant: 068.46.03-1

GP SHIFT SYSTEM



16 S 151 IT /
GP SHIFT SYSTEM



Plant

Page 2 from 2

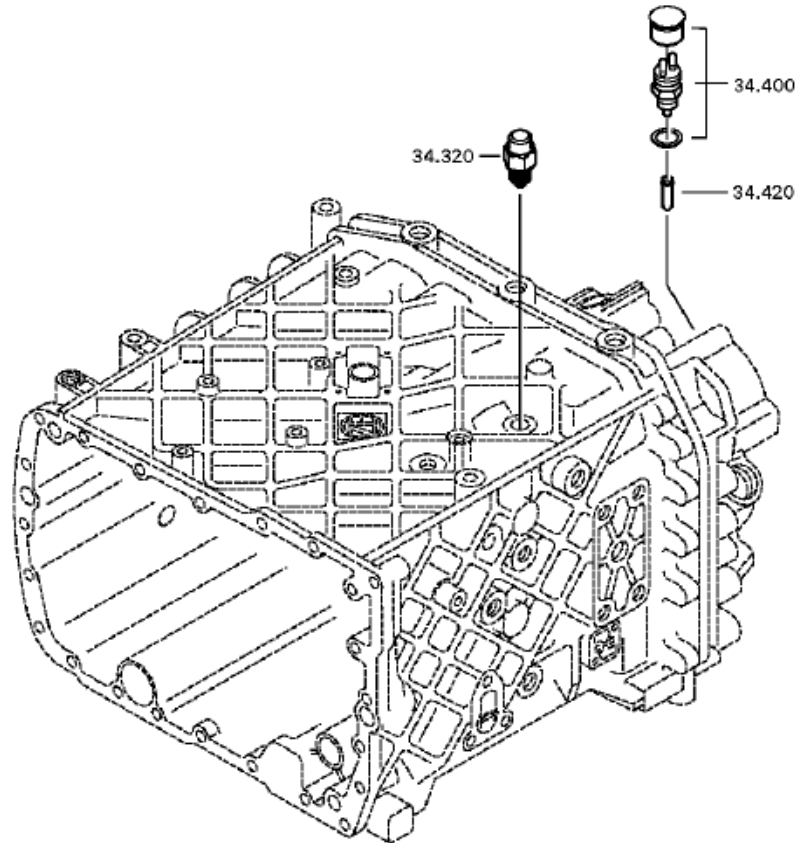
Material number: 1315.051.741

Plant: 068.46.40-1

GP SHIFT SYSTEM



16 S 151 IT /
GP SHIFT SYSTEM



Parts list

Page 1 from 1



16 S 151 IT /

Material number: 1315.051.741

Plant: 068.46.03-1

Material-assembly-group-no: 1315.134.015

Pos.	Material number	Customer material	Name	Quantity	ME	Amend. no.	Techn. Info.	Rep kit	Alternative material
10	1315.334.071	1782357	GEAR SHIFT RAIL	1					
30	0750.112.253	5 8342 0	FLANGE PACKING	1			25X40X15		
50	---		PISTON	1			GP		
---	1315.334.034		PISTON	1			ENTHALT.IN 1315 334 040(2)		
---	1315.334.063		PISTON	1					
70	0734.307.294	5 8400 0	SEALING RING	2			49X91X7,4 FA.KACO		
90	0750.112.066	5 5131 0	GUIDE RING	1					
110	0737.300.037	1874075	LOCKING NUT	1			MS16X1,5		
130	1315.334.069	5 5836 0	CYLINDER	1					
150	0501.317.536	5 6096 0	PROFILE SEALING RING	1					
210	---		HEXAGON SCREW	4		Z00007349210	M10X90		
---	0636.015.688	1896739	HEXAGON SCREW	4		Z00007349212	M10X90		
---	0630.100.294	1894557	WASHER	4		Z00007158111			
300	1296.334.004	5 5174 0	SLIDING PAD	2					
320	---		DETENT PLUNGER	1			145N*50N.M		
---	1324.207.035	H0472239	DETENT PLUNGER	1			KPL. *145 N		
---	0730.008.604	1638154	SEALING RING	1					
400	---		SWITCH	1		Z00004287211	OEFF*45N.M*DICHTRING*BAJONETT* SCHUTZKAPPE		
---	0501.219.856	1946804	SWITCH	1			OEFFNER DIN BAJONETT		
---	0634.801.062	1804055	SEALING RING	1			18X24		
420	1295.212.006		PIN	1			KPL.		

Plant

Page 1 from 1

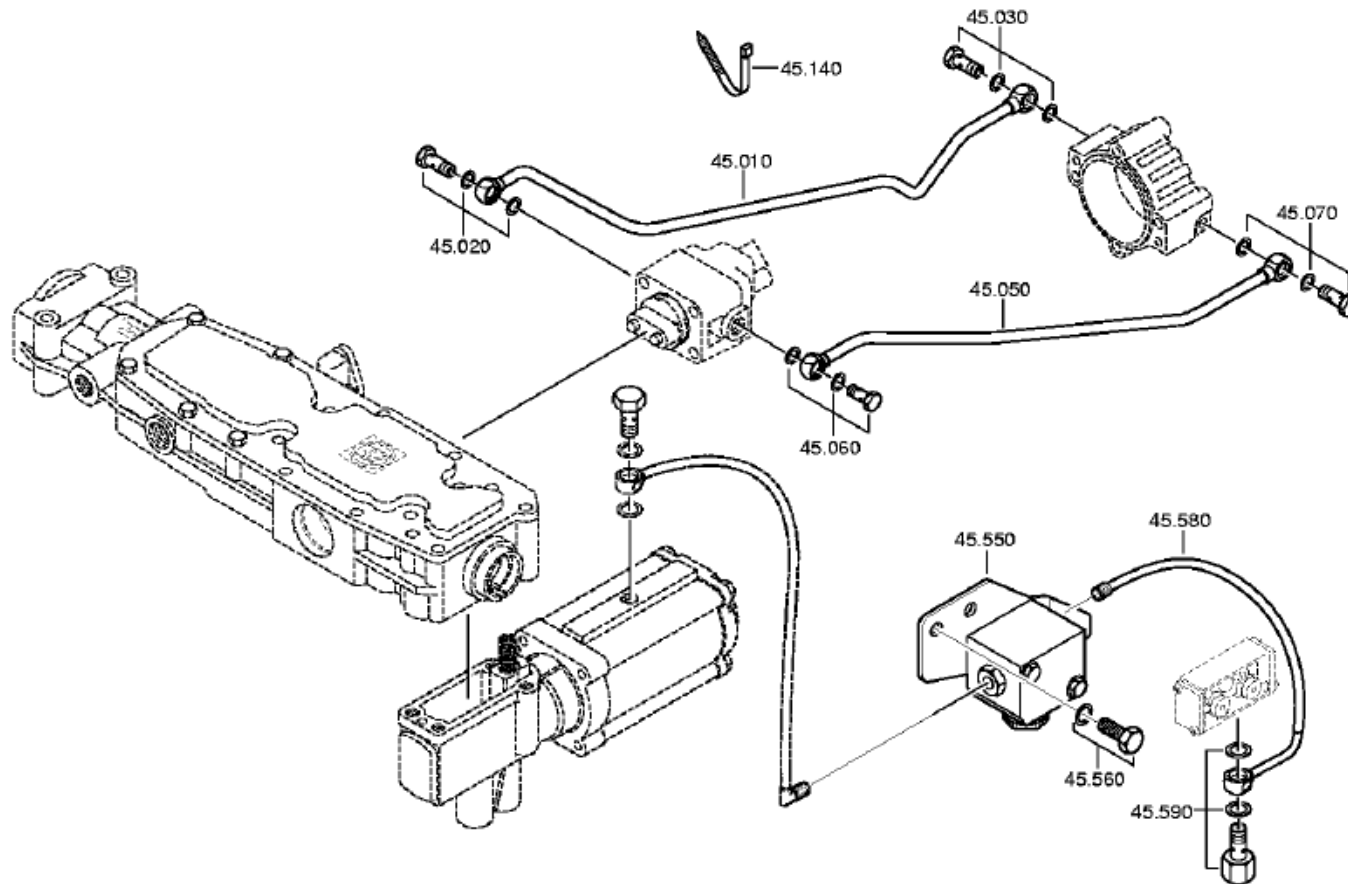
Material number: 1315.051.741

Plant: 068.57.13-1

Material-assembly-group-no: 1315.145.019



16 S 151 IT /
RANGE SELECTION



Parts list

Page 1 from 1



16 S 151 IT /

Material number: 1315.051.741

Plant: 068.57.13-1

Material-assembly-group-no: 1315.145.019

Pos.	Material number	Customer material	Name	Quantity	ME	Amend. no.	Techn. Info.	Rep kit	Alternative material
10	1315.245.016		TUBE	1			KPL.GP RE*L=515MM*12X1,5		
20	---		UNION SCREW	1		Z00010274511	M14X1,5		
---	0737.300.061	1907567	UNION SCREW	1		Z00012473710	M14X1,5		
---	0634.801.217	99707034424	SEALING RING	1		Z00010274513	14X20		
30	---		UNION SCREW	1		Z00010274511	M14X1,5		
---	0737.300.061	1907567	UNION SCREW	1		Z00012473710	M14X1,5		
---	0634.801.217	99707034424	SEALING RING	1		Z00010274513	14X20		
50	1315.245.017		TUBE	1			KPL.GP LI*L=532MM*12X1,5		
60	---		UNION SCREW	1		Z00010274511	M14X1,5		
---	0737.300.061	1907567	UNION SCREW	1		Z00012473710	M14X1,5		
---	0634.801.217	99707034424	SEALING RING	1		Z00010274513	14X20		
70	---		UNION SCREW	1		Z00010274511	M14X1,5		
---	0737.300.061	1907567	UNION SCREW	1		Z00012473710	M14X1,5		
---	0634.801.217	99707034424	SEALING RING	1		Z00010274513	14X20		
140	0659.160.081		CABLE CLIP	1		C01006654E10	4,7X210		
550	0501.213.595		VALVE	1			DBV (5BAR)		
560	---		HEXAGON SCREW	2		Z00007067518	M10X25		
---	0636.100.406		HEXAGON SCREW	2		Z00007067510	M10X25		
---	0630.100.294	1894557	WASHER	2		Z00007158111			
580	1315.209.006		TUBE	1			KPL.L=160*8X1*DRUCKMIND-GV		
590	---		UNION SCREW	1		Z00010303010	M12X1,5		
---	0737.300.062	1947226	UNION SCREW	1		Z00010303012	M12X1,5		
---	0634.801.331	100CP4955	SEALING RING	1		Z00010303012	12X18		

Plant

Page 1 from 1

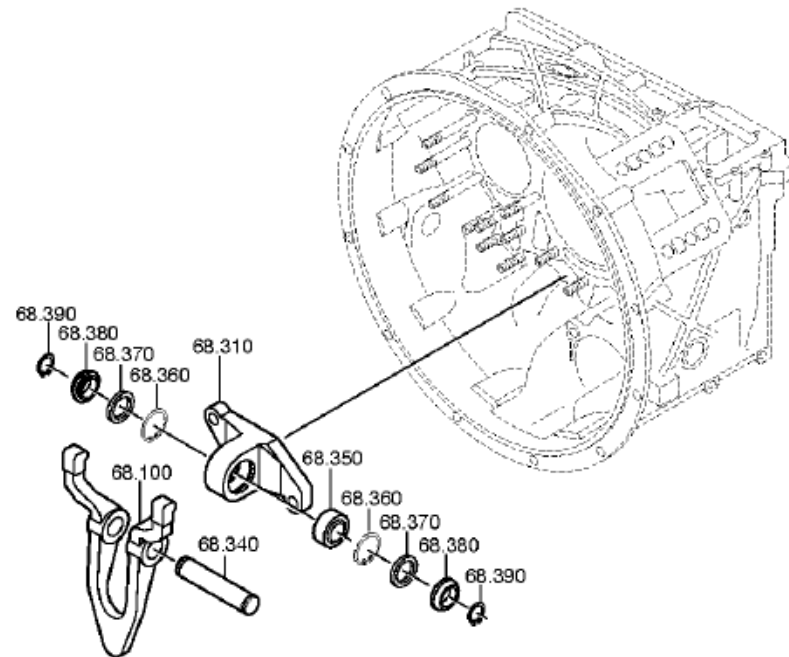
Material number: 1315.051.741

Plant: 068.93.07

Material-assembly-group-no: 1315.168.019



16 S 151 IT /
CLUTCH RELEASE DEVICE



Parts list

Page 1 from 1

Material number: 1315.051.741

Plant: 068.93.07

Material-assembly-group-no: 1315.168.019



16 S 151 IT /

Pos.	Material number	Customer material	Name	Quantity	ME	Amend. no.	Techn. Info.	Rep kit	Alternative material
100	1315.268.017	ZF-1315 268 017	RELEASE FORK	1			KPL.AUSR-GELENKLAG*SW=78		
310	1315.306.080	5 5864 0	BRACKET	1					
330	0636.100.727		HEXAGON SCREW	2			M12X35		
340	0731.201.606	0731201606	PIN	1			ENTHALT.IN 0731 201 607(2)		
350	0635.285.037	5 8108 0	JOINT BEARING	1					
360	0630.502.023	933167R1	RETAINING RING	2			42X1,75		
370	0501.315.198	5 6117 0	SEALING RING	2					
380	6060.306.087	5 6099 0	SEALING WASHER	2					
390	0630.501.020		RETAINING RING	2			25X1,2		

Technical Cover

Page 1 from 3

Material number: 6085.005.045



IT ECOSPLIT /

Pos.	Information	Amendment number
001	Use case -----	
002	Customer Astra Veicoli Industriali	
003	City Piacenza	
004	DUNS 42-901-4004	
005	Use case -----	
006	Customer Renault Vehicules Industriels	
007	City Saint Priest Cedex	
008	DUNS 27-813-6346	
009	Use case -----	
010	Customer DAF TRUCKS N.V.	
011	City EINDHOVEN	
012	DUNS 41-579-9402	
013	Use case -----	
014	Customer M B S Associates	
015	City Cincinnati	
016	DUNS 06-396-6766	
017	Use case -----	
018	Customer MAGNA STEYR AG & Co. KG	
019	City Graz	
020	DUNS 31-709-9190	
021	Use case -----	
022	Customer ZF KALKULATION	
023	City Friedrichshafen	
024	DUNS	
025	Use case -----	
026	Customer PERLINI	
027	City San Bonifacio	
028	DUNS 42-875-2141	
029	Use case -----	
030	Customer ZF KUNDENDIENST FRIEDRICHSHAF.	
031	City Friedrichshafen	
032	DUNS	
033	Use case -----	

Technical Cover

Page 2 from 3

Material number: 6085.005.045



IT ECOSPLIT /

Pos.	Information	Amendment number
034	Customer Hino Motors Ltd.	
035	City Hino	
036	DUNS 69-053-6503	
037	Use case -----	
038	Customer Jelcz Automobilwerke AG	
039	City Jelcz-Laskowice	
040	DUNS 64-393-5356	
041	Use case -----	
042	Customer MAN	
043	City NN	
044	DUNS	
045	Use case -----	
046	Customer OEAF Graef & Stift	
047	City Wien	
048	DUNS 30-026-8596	
049	Use case -----	
050	Customer Raba Futomo Kft.	
051	City Gyoer	
052	DUNS 40-132-4447	
053	Use case -----	
054	Customer GM Daewoo Auto & Technology	
055	City Chungnam	
056	DUNS	
057	Use case -----	
058	Customer IVECO MAGIRUS AG	
059	City Ulm	
060	DUNS 31-561-9072	
061	Use case -----	
062	Customer MAN Nutzfahrzeuge	
063	City Muenchen	
064	DUNS 31-794-2514	
065	Product description -----	
068	ATTACHM. POS., HEAT EXCHANGER LEFT/RIGHT/BOTTOM	

Technical Cover

Page 3 from 3

Material number: 6085.005.045



IT ECOSPLIT /

Pos.	Information	Amendment number
070	CONN.,PROPORT.SOLENOID VALVE KOSTAL	
091	REDUCING DEVICE y	

Assembly group overview

Page 1 from 1

Material number: 6085.005.045



16 S 151 IT /

Graphics	Pos.	Material number	Name	Quantity	Amend. no.	Techn. Info.
078.01.10-1	110	6085.101.040	HOUSING	1		
078.02.03-1	120	6085.102.021	CONTROL UNIT	1		
078.02.83-1	130	6085.102.813	ANCHORAGE	1		
078.02.79-1	140	6085.102.800	CLOSING COMPONENTS	1		
078.03.01-1	150	6085.103.001	PUMP	1		
078.03.80-1	160	6085.103.800	PUMP	1		

Plant

Page 1 from 1

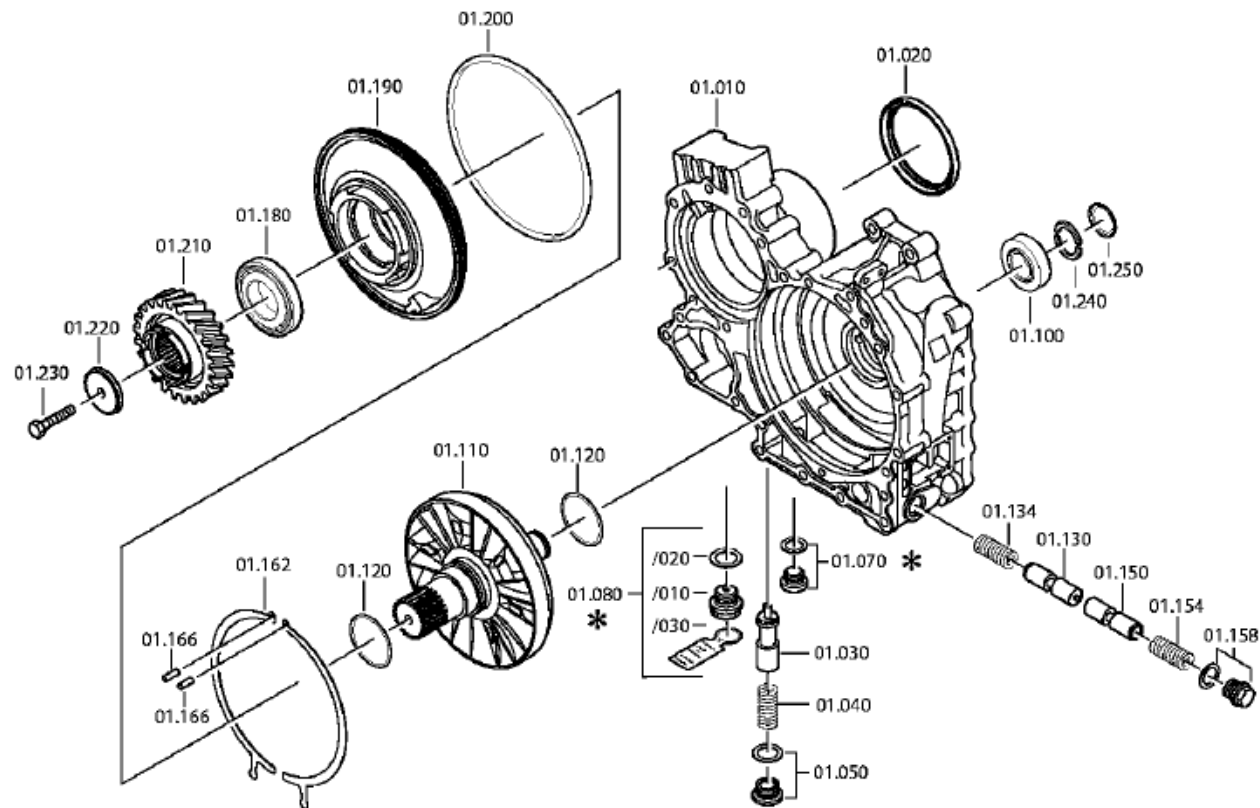
Material number: 6085.005.045

Plant: 078.01.10-1

Material-assembly-group-no: 6085.101.040



16 S 151 IT /
HOUSING



Parts list

Page 1 from 2



16 S 151 IT /

Material number: 6085.005.045

Plant: 078.01.10-1

Material-assembly-group-no: 6085.101.040

Pos.	Material number	Customer material	Name	Quantity	ME	Amend. no.	Techn. Info.	Rep kit	Alternative material
10	6085.301.207		HOUSING	1		C01007660E10	IT ECO O.SCH.O.LP		
12	0637.510.020		PLUG	1					
14	0637.510.020		PLUG	1					
20	0734.300.421		SHAFT SEAL	1		Z00020928810	105X125X12/16		
30	6085.301.215		PISTON	1			VORSP. 1,5 BAR		
40	0732.042.403		COMPRESSION SPRING	1					
50	---		SCREW PLUG	1			60N.M*DICHTRING*LOCTITE M26X1,5		
---	0736.300.151		SCREW PLUG	1		Z00010174110	M26X1,5		
---	0634.801.256		SEALING RING	1			26X31		
80	---		SCREW PLUG	1		Z00010176111	M24X1,5		
---	0736.300.160	4471982.1	SCREW PLUG	1		Z00010176110	M24X1,5 M24X1,5		
---	0730.008.637	1428103	SEALING RING	1		Z00010176110	24X29		
100	0750.117.353	5 8275 0	TAPERED ROLLER BEARING	1			33,3X68,2X22,2		
110	6085.301.053		ROTOR	1					
120	0734.401.251	5 8715 0	PISTON RING	2			65,1X70,0X3,5		
130	6085.301.156		PISTON	1		C01007405B10			
134	0732.042.765		COMPRESSION SPRING	1					
150	6085.301.156		PISTON	1		C01007405B10			
154	0732.042.765		COMPRESSION SPRING	1					
158	---		SCREW PLUG	1		C01001320B10	50N.M*DICHTRING*LOCTITE M22X1,5		
---	0736.300.154		SCREW PLUG	1		Z00010175012	M22X1,5 ERZ. M22X1,5		
---	0730.009.515	0730009515	SEALING RING	1			A22X27		
162	6085.301.155		OIL DAM	2		C01007405B10			
166	0631.306.226		CYLINDRICAL PIN	2		C01004975B10	6X32		
180	0750.120.067	5 8276 0	TAPERED ROLLER BEARING	1		Z00004111510	50,800X95,250X27,783		
190	6085.301.206		STATOR	1		C01007898E10			
200	0634.314.438		O-RING	1		C01004202F10	240X3		
210	6085.301.012		SPUR GEAR	1			Z29 IN 6085 301 011(1)		
220	6085.301.220	1482055	WASHER	1		Z00004072410			
230	0636.011.434	1000000346	HEXAGON SCREW	1			M12X80		
240	---		SPLIT RING	1			H= 2,90- 3,70(ABSTUFUNG:0,05MM)		
---	6085.201.054		SPLIT RING	1			KPL.A=3,70		

Parts list

Page 2 from 2



16 S 151 IT /

Material number: 6085.005.045

Plant: 078.01.10-1

Material-assembly-group-no: 6085.101.040

Pos.	Material number	Customer material	Name	Quantity	ME	Amend. no.	Techn. Info.	Rep kit	Alternative material
---	6085.201.053		SPLIT RING	1			KPL.A=3,65		
---	6085.201.052		SPLIT RING	1			KPL.A=3,60		
---	6085.201.051		SPLIT RING	1			KPL.A=3,55		
---	6085.201.050		SPLIT RING	1			KPL.A=3,50		
---	6085.201.049		SPLIT RING	1			KPL.A=3,45		
---	6085.201.048		SPLIT RING	1			KPL.A=3,40		
---	6085.201.047		SPLIT RING	1			KPL.A=3,35		
---	6085.201.046		SPLIT RING	1			KPL.A=3,30		
---	6085.201.045		SPLIT RING	1			KPL.A=3,25		
---	6085.201.044		SPLIT RING	1			KPL.A=3,20		
---	6085.201.043		SPLIT RING	1			KPL.A=3,15		
---	6085.201.042		SPLIT RING	1			KPL.A=3,10		
---	6085.201.041		SPLIT RING	1			KPL.A=3,05		
---	6085.201.040		SPLIT RING	1			KPL.A=3,00		
---	6085.201.039		SPLIT RING	1			KPL.A=2,95		
---	6085.201.038		SPLIT RING	1			KPL.A=2,90		
250	0730.063.154	ZF-0730 063 154	RETAINING RING	1		C01004428B10	A=3,40 IN 0730 062 636(2)		
620	0730.365.241		TYPE PLATE	1			EINHEITSSCH. VERDREHSICHER		
630	0731.300.027		BLIND RIVET	4					

Plant

Page 1 from 3

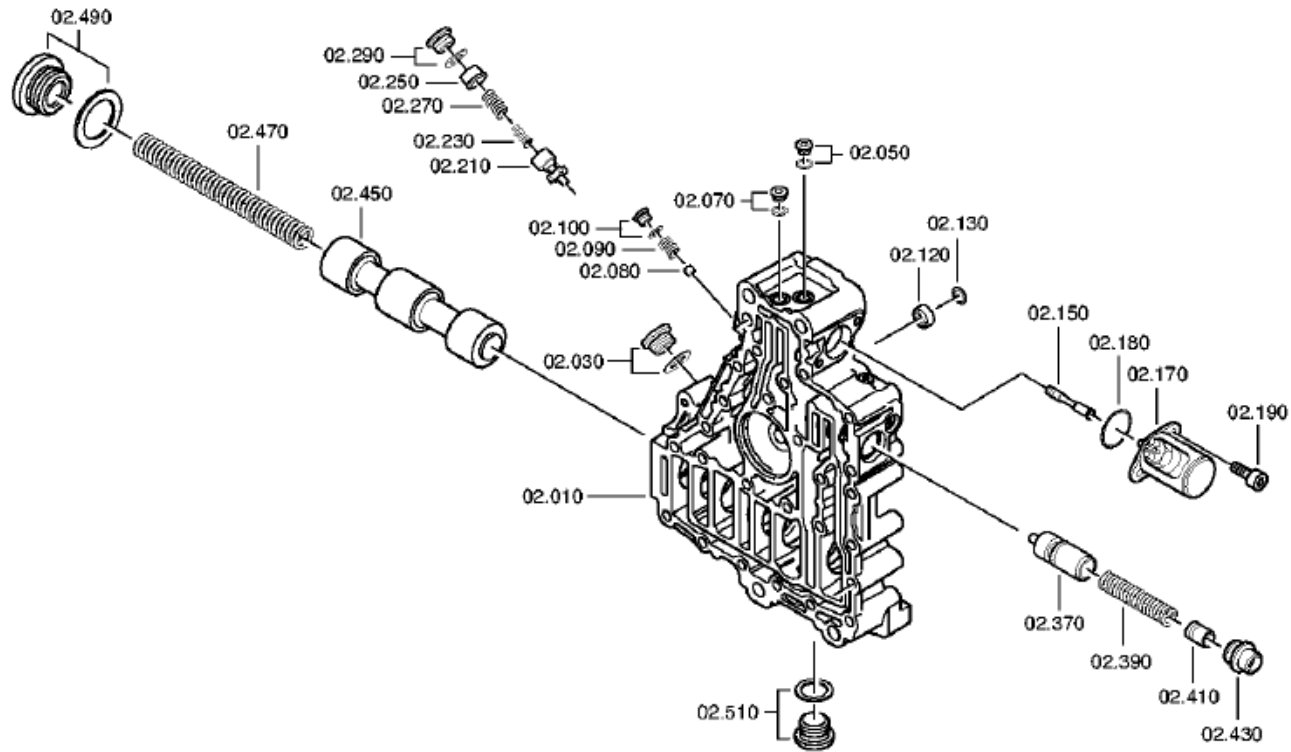
Material number: 6085.005.045

Plant: 078.02.03-1

CONTROL UNIT



16 S 151 IT /
CONTROL UNIT



Plant

Page 2 from 3

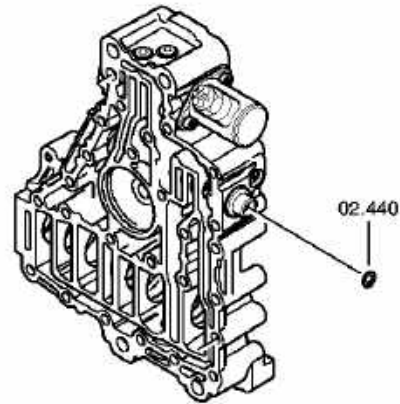
Material number: 6085.005.045

Plant: 078.02.79-1

CONTROL UNIT



16 S 151 IT /
CONTROL UNIT



Plant

Page 3 from 3

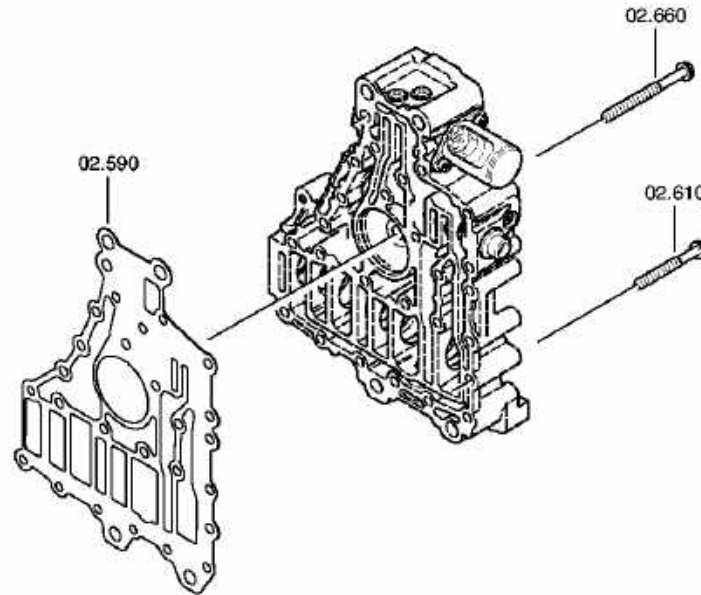
Material number: 6085.005.045

Plant: 078.02.83-1

CONTROL UNIT



16 S 151 IT /
CONTROL UNIT



Parts list

Page 1 from 2



16 S 151 IT /

Material number: 6085.005.045

Plant: 078.02.03-1

Material-assembly-group-no: 6085.102.021

Pos.	Material number	Customer material	Name	Quantity	ME	Amend. no.	Techn. Info.	Rep kit	Alternative material
10	6085.202.010		CONTROL HOUSING	1		Z00004287210	KPL.IT*WT-ANGEFL		
30	---		SCREW PLUG	1		Z00004287210	60N.M*DICHTRING*LOCTITE M26X1,5		
---	0736.300.152		SCREW PLUG	1		Z00010174310	M26X1,5		
---	0634.801.256		SEALING RING	1			26X31		
50	---		SCREW PLUG	1		Z00004287210	23N.M*DICHTRING*LOCTITE M12X1,5		
---	0636.100.792		SCREW PLUG	1		Z00010162912	M12X1,5		
---	0634.801.028	1643487	SEALING RING	1		C01002993C10	12X16		
70	---		SCREW PLUG	1		Z00004287210	23N.M*DICHTRING*LOCTITE M12X1,5		
---	0636.100.792		SCREW PLUG	1		Z00010162912	M12X1,5		
---	0634.801.028	1643487	SEALING RING	1		C01002993C10	12X16		
80	0635.460.021	1000000324	BALL	1		Z00004287210	10		
90	0732.041.247		COMPRESSION SPRING	1		Z00004287210			
100	---		SCREW PLUG	1		Z00004287210	23N.M*DICHTRING*LOCTITE M12X1,5		
---	0636.100.792		SCREW PLUG	1		Z00010162912	M12X1,5		
---	0634.801.028	1643487	SEALING RING	1		C01002993C10	12X16		
120	0635.303.038	8 8981 0	NEEDLE SLEEVE	1		Z00004287210	12X18X12		
130	0630.532.140		V-RING	1		Z00004287210			
150	6085.302.040		PISTON	1			VORSTEUERKOLBEN		
170	0501.328.507		MAGNET	1		Z00014064510	KOSTAL		
180	0634.313.017		O-RING	1		Z00004287210	27X3		
190	0636.115.300		CAP SCREW	2		Z00007064111	M8X22		
210	6085.302.044		PISTON	1		Z00015188010	DR.BEGR. AUSSEN 12 BAR		
230	0732.042.470		COMPRESSION SPRING	1		Z00004287210			
250	6085.302.043		PISTON	1		Z00015188010	DR.BEGR. INNEN 12 BAR		
270	0732.042.471		COMPRESSION SPRING	1		Z00004287210			
290	---		SCREW PLUG	1		Z00004287210	60N.M*DICHTRING*LOCTITE M26X1,5		
---	0736.300.152		SCREW PLUG	1		Z00010174310	M26X1,5		
---	0634.801.256		SEALING RING	1			26X31		
370	6085.302.041		PISTON	1			REGELKOLBEN		

Parts list

Page 2 from 2



16 S 151 IT /

Material number: 6085.005.045

Plant: 078.02.03-1

Material-assembly-group-no: 6085.102.021

Pos.	Material number	Customer material	Name	Quantity	ME	Amend. no.	Techn. Info.	Rep kit	Alternative material
390	0732.042.741		COMPRESSION SPRING	1		Z00004287210			
410	6085.302.042		PISTON	1			REGEL INNEN		
430	6085.202.015		ADJUSTING SCREW	1			KPL.		
440	0730.301.060		SEALING CAP	1		Z00008918511			
450	6085.302.048		PISTON	1			UMSCHALTKOLBEN		
470	0732.042.402		COMPRESSION SPRING	1		Z00004287210			
490	---		SCREW PLUG	1		Z00004287210	150N.M*DICHTRING*LOCTITE M48X1,5		
---	0736.300.223		SCREW PLUG	1			M48X1,5		
---	0634.801.329		SEALING RING	1			48X55		
510	---		SCREW PLUG	1		Z00004287210	60N.M*DICHTRING*LOCTITE M24X1,5		
---	0636.302.612		SCREW PLUG	1		Z00010164210	M24X1,5		
---	0730.008.637	1428103	SEALING RING	1			24X29		
590	0501.314.434	5 6094 0	GASKET	1					
610	0736.300.137	1197869	HEXAGON SCREW	13			M8X80 M8X80		
660	0736.300.137	1197869	HEXAGON SCREW	7			M8X80 M8X80		

Plant

Page 1 from 2

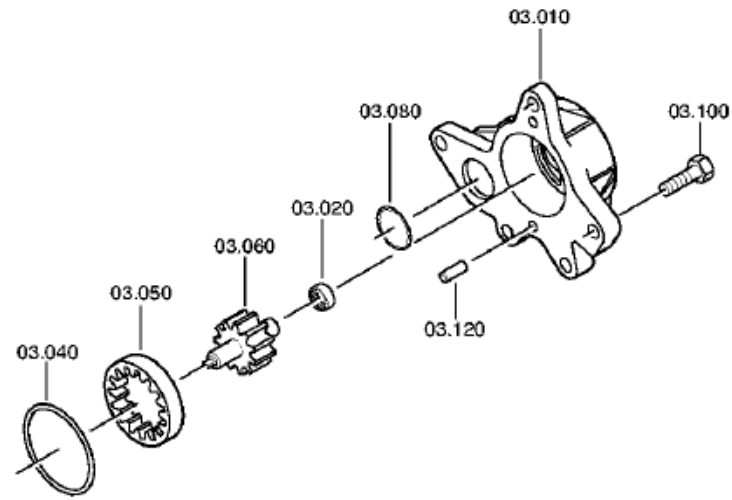
Material number: 6085.005.045

Plant: 078.03.01-1

PUMP



16 S 151 IT /
PUMP



Plant

Page 2 from 2

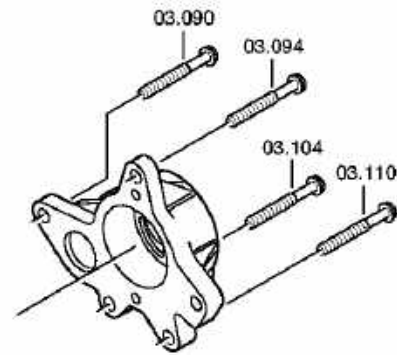
Material number: 6085.005.045

Plant: 078.03.80-1

PUMP



16 S 151 IT /
PUMP



Parts list

Page 1 from 1



16 S 151 IT /

Material number: 6085.005.045

Plant: 078.03.01-1

Material-assembly-group-no: 6085.103.001

Pos.	Material number	Customer material	Name	Quantity	ME	Amend. no.	Techn. Info.	Rep kit	Alternative material
10	6085.303.011	1525497	PUMP HOUSING	1					
20	0635.303.038	8 8981 0	NEEDLE SLEEVE	1			12X18X12		
40	0634.313.568	T158745	O-RING	1			63X3		
50	6085.303.008		RING GEAR	1					
60	6085.203.001		SHAFT	1			KPL.		
80	0634.313.056	00579163	O-RING	1			37X3		
90	0736.300.137	1197869	HEXAGON SCREW	1		Z00009195410	M8X80 M8X80		
94	0736.300.137	1197869	HEXAGON SCREW	1		Z00009195410	M8X80 M8X80		
100	0636.100.797		HEXAGON SCREW	1		Z00007891312	M8X30		
104	0736.300.137	1197869	HEXAGON SCREW	1		Z00009195410	M8X80 M8X80		
110	0736.300.137	1197869	HEXAGON SCREW	1		Z00009195410	M8X80 M8X80		
120	0631.306.717		CYLINDRICAL PIN	2		C01004414B10	8X14		

Assembly group overview

Page 1 from 1



Material number: 6085.177.279

16 S 151 IT /

Graphics	Pos.	Material number	Name	Quantity	Amend. no.	Techn. Info.
078.01.85-1	114	6085.101.800	HOUSING	1		
078.02.80-1	124	6085.102.801	CONTROL UNIT	1		
078.05.15-1	170	6085.105.074	HEAT EXCHANGER	1		
078.05.82-1	180	6085.105.800	HEAT EXCHANGER	1		
078.08.06-1	220	6085.108.019	OUTPUT	1		

Plant

Page 1 from 1

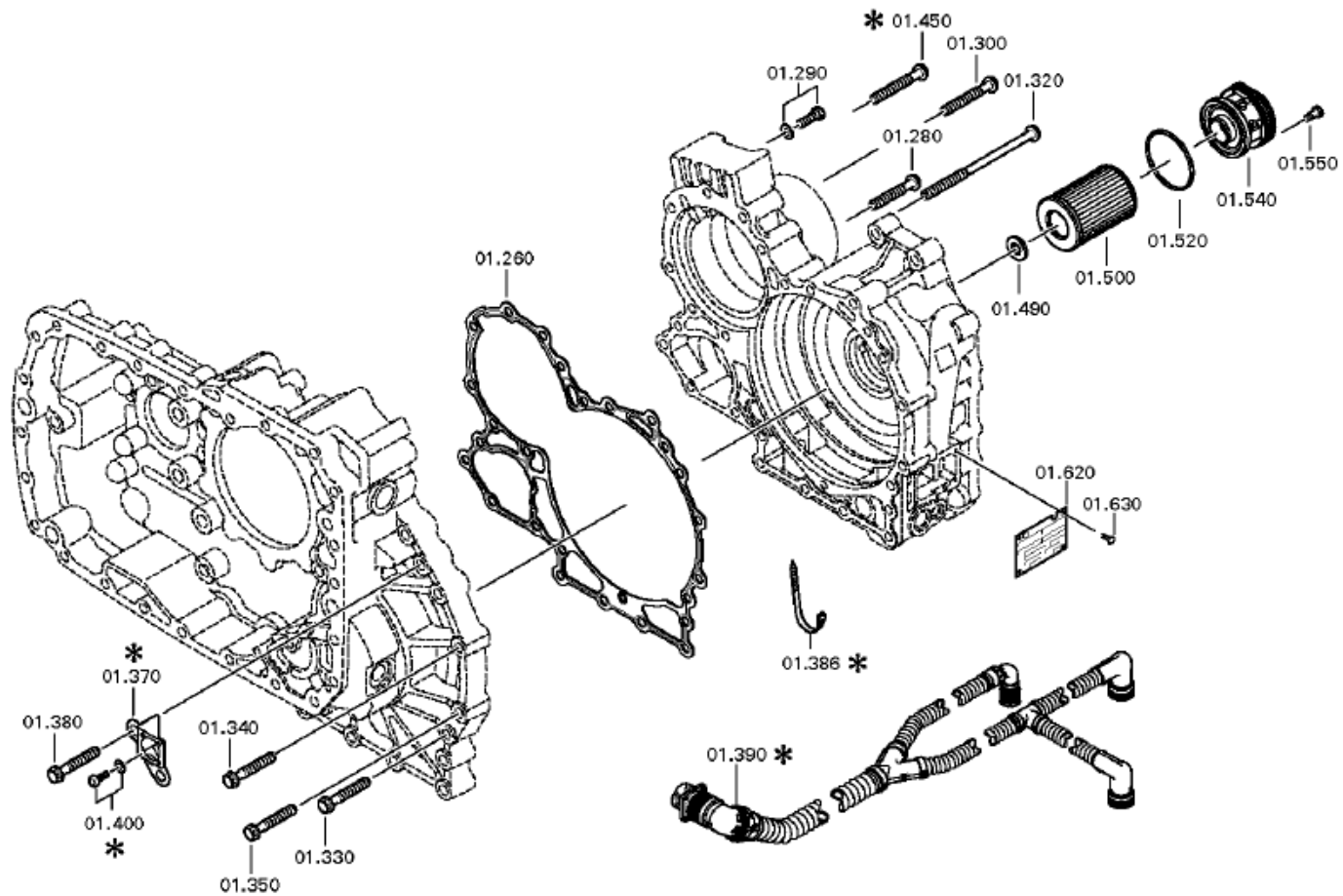
Material number: 6085.177.279

Plant: 078.01.85-1

Material-assembly-group-no: 6085.101.800



16 S 151 IT /
HOUSING



Parts list

Page 1 from 1



16 S 151 IT /

Material number: 6085.177.279

Plant: 078.01.85-1

Material-assembly-group-no: 6085.101.800

Pos.	Material number	Customer material	Name	Quantity	ME	Amend. no.	Techn. Info.	Rep kit	Alternative material
260	0501.315.048	H0196577	GASKET	1					
280	0636.016.405		HEXAGON SCREW	3		Z00007060115	M10X60		
290	0636.102.292		HEXAGON SCREW	2		Z00007349610	M10X35		
300	0736.300.126		HEXAGON SCREW	3		Z00009403510	M10X75		
320	0736.300.129		HEXAGON SCREW	1		Z00009403810	M10X180 M10X180		
330	0636.016.405		HEXAGON SCREW	1		Z00007060115	M10X60		
340	0636.016.405		HEXAGON SCREW	10		Z00007060115	M10X60		
350	0636.016.405		HEXAGON SCREW	1		Z00007060115	M10X60		
380	0636.016.405		HEXAGON SCREW	2		Z00007060115	M10X60		
450	0736.300.126		HEXAGON SCREW	1		Z00009403510	M10X75		
490	4139.306.673		MAGNET	1		Z00016339810			
500	0501.210.798		SCREEN INSERT	1		Z00007671110	KPL.		
520	0634.313.067	1297620	O-RING	1			70X3		
540	---		COVER	1			IT FILTER*GDSDL/GSLS		
---	6085.301.020		COVER	1					
---	1315.378.074		COVER	1					
550	0636.024.527		HEXAGON SCREW	1		Z00007288310	M8X20		

Plant

Page 1 from 1

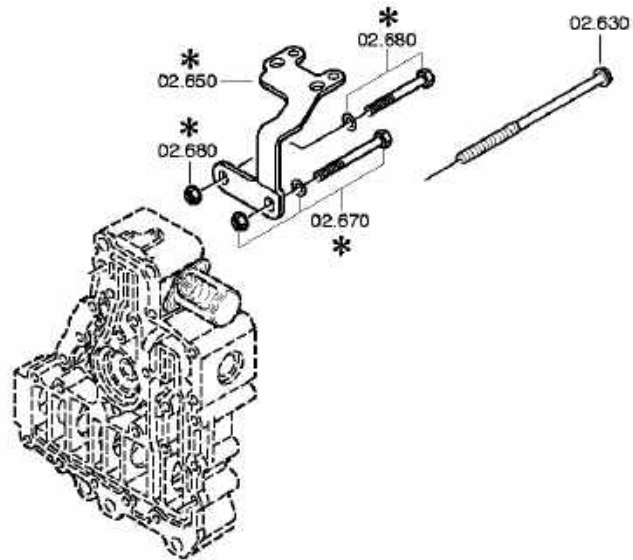
Material number: 6085.177.279

Plant: 078.02.80-1

Material-assembly-group-no: 6085.102.801



16 S 151 IT /
CONTROL UNIT



Parts list

Page 1 from 1



16 S 151 IT /

Material number: 6085.177.279

Plant: 078.02.80-1

Material-assembly-group-no: 6085.102.801

Pos.	Material number	Customer material	Name	Quantity	ME	Amend. no.	Techn. Info.	Rep kit	Alternative material
630	0736.300.128		HEXAGON SCREW	1		Z00009403710	M10X215 M10X215		

Plant

Page 1 from 2

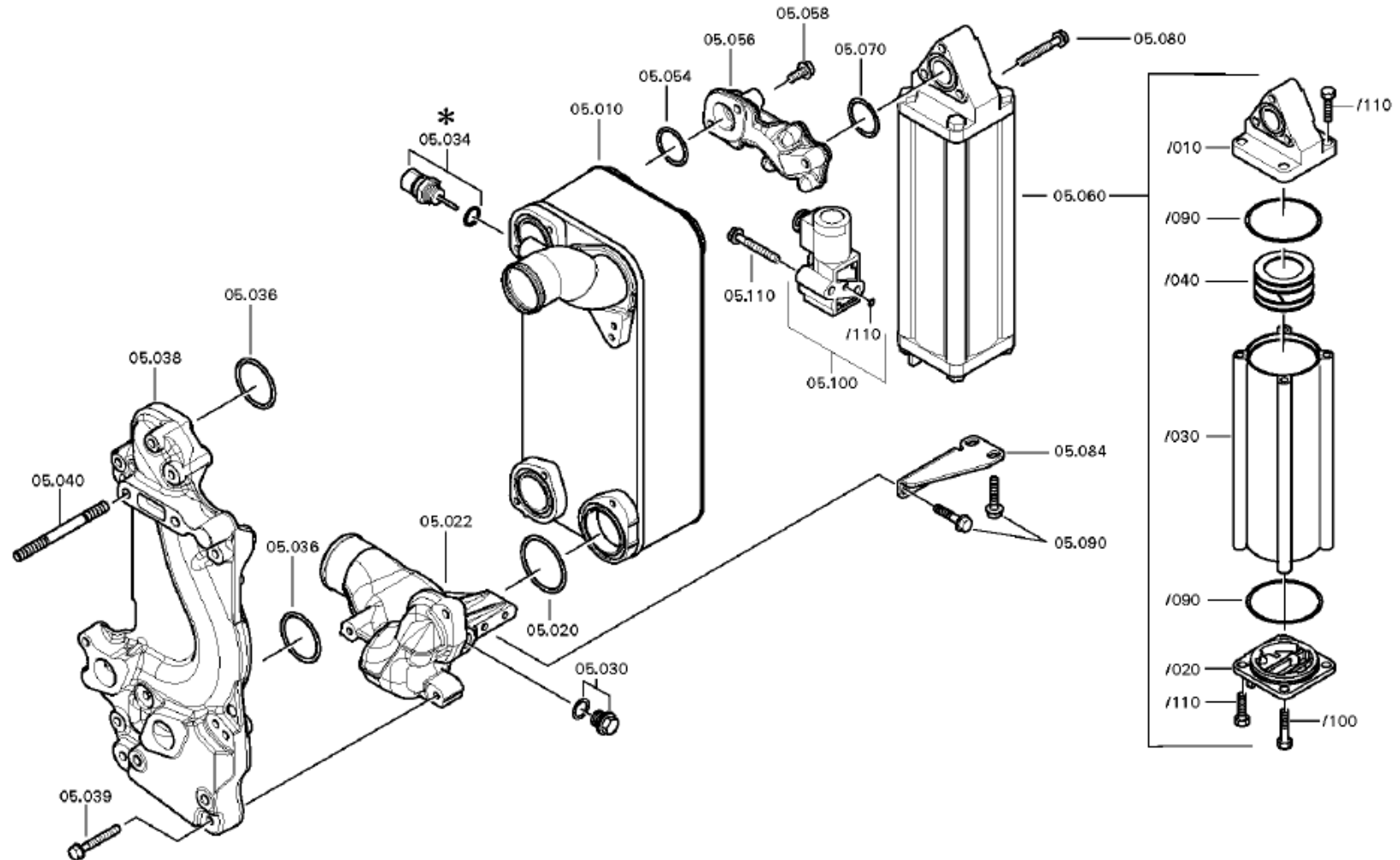
Material number: 6085.177.279

Plant: 078.05.15-1

HEAT EXCHANGER



16 S 151 IT /
HEAT EXCHANGER



Plant

Page 2 from 2

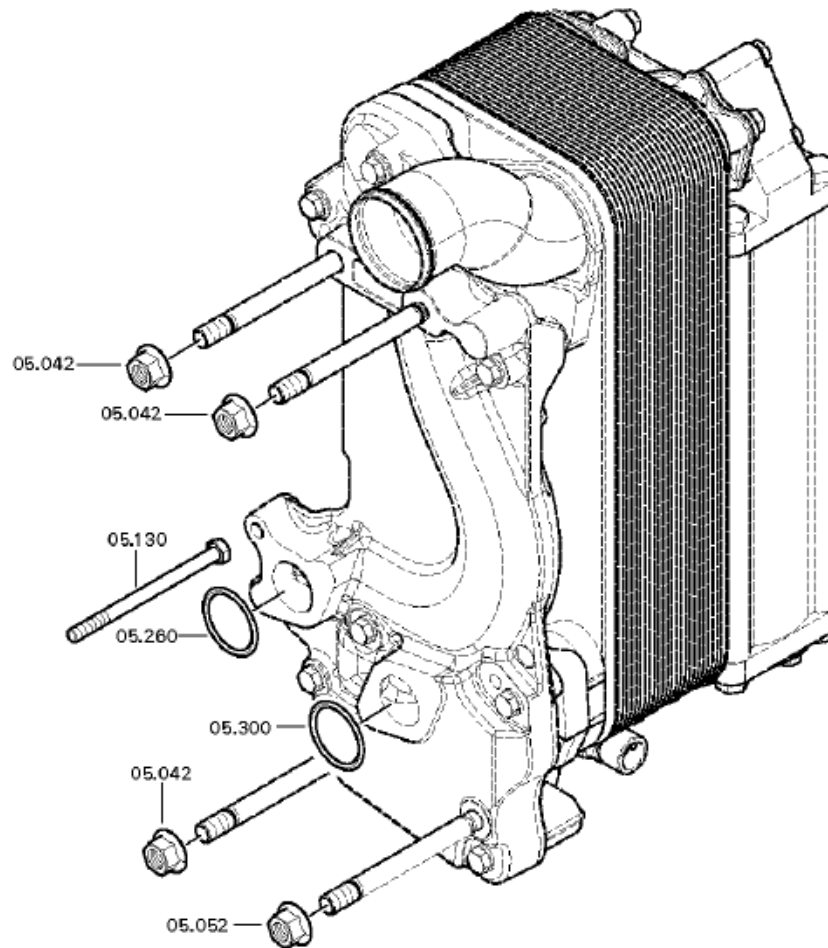
Material number: 6085.177.279

Plant: 078.05.82-1

HEAT EXCHANGER



16 S 151 IT /
HEAT EXCHANGER



Parts list

Page 1 from 2



16 S 151 IT /

Material number: 6085.177.279

Plant: 078.05.15-1

Material-assembly-group-no: 6085.105.074

Pos.	Material number	Customer material	Name	Quantity	ME	Amend. no.	Techn. Info.	Rep kit	Alternative material
10	0501.217.248		HEAT EXCHANGER	1			KPL.		
20	0634.100.059	7421941911	O-RING	1			58X4		
22	6085.205.013		CONNECTING HOUSING	1			KPL.		
30	---		SCREW PLUG	1			40N.M*DICHTRING M18X1,5		
---	0636.100.482		SCREW PLUG	1			M18X1,5		
---	0634.801.056	S300496	SEALING RING	1			18X22		
36	0634.313.622	7421942226	O-RING	2			50X4		
38	6085.305.219		INTERM.HOUSING	1			SENKRECHT		
39	0736.300.135	81.90001-0428	HEXAGON SCREW	9		Z00009195110	M8X60		
40	0636.604.572		STUD	4		Z00007281314	M12X120		
42	---		HEXAGON NUT	3			M12		
---	0637.025.112		HEXAGON NUT	3		Z00007283610	M12		
52	---		HEXAGON NUT	1			M12		
---	0637.025.112		HEXAGON NUT	1		Z00007283610	M12		
54	0634.316.059	8900108145	O-RING	1			38X3		
56	6085.305.124		OIL FEED.HOUSG.	1					
58	0636.102.399		HEXAGON SCREW	3		Z00010895010	M8X38		
60	0501.209.460	2268.061.0030	ACCUMULATOR	1			KPL.		
/10	0501.315.808	H0247914	COVER	1			ENTHALT.IN 0501 209 460(0)		
/20	0501.315.809		VALVE CARRIER	1			ENTHALT.IN 0501 209 460(0)		
/30	0501.315.810		TUBE	1			ENTHALT.IN 0501 209 460(0)		
/40	0501.218.028	H0472059	PISTON	1		Z00006675410	KPL.		
/90	0634.316.510	571813008	O-RING	2			80X3		
/100	0636.011.755		HEXAGON SCREW	1		Z00007049011	M10X60		
/110	0636.015.682	015064	HEXAGON SCREW	7		Z00007056513	M10X35		
70	0634.316.059	8900108145	O-RING	1			38X3		
80	0736.300.135	81.90001-0428	HEXAGON SCREW	3		Z00009195110	M8X60		
84	6085.305.125		FIXING PLATE	1					
90	0636.100.435	7421945306	HEXAGON SCREW	4		Z00007063110	M8X20		
100	0501.321.458	1780989	VALVE	1			KOSTAL		
/110	0634.316.159	0634316159	O-RING	1			7X2		
110	0736.300.135	81.90001-0428	HEXAGON SCREW	2		Z00009195110	M8X60		
130	0636.011.770		HEXAGON SCREW	1		Z00007055610	M8X115		
260	0634.313.056	00579163	O-RING	1			37X3		

Parts list

Page 2 from 2



16 S 151 IT /

Material number: 6085.177.279

Plant: 078.05.15-1

Material-assembly-group-no: 6085.105.074

Pos.	Material number	Customer material	Name	Quantity	ME	Amend. no.	Techn. Info.	Rep kit	Alternative material
300	0634.313.056	00579163	O-RING	1			37X3		

Plant

Page 1 from 1

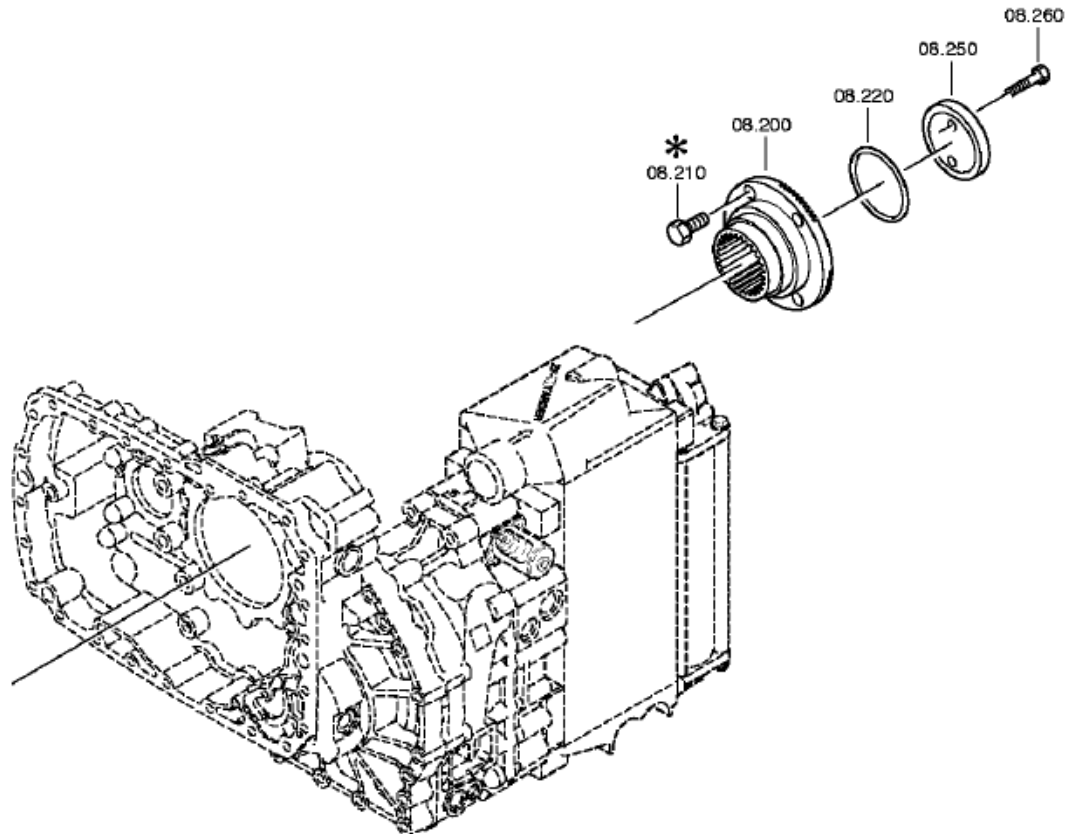
Material number: 6085.177.279

Plant: 078.08.06-1

Material-assembly-group-no: 6085.108.019



16 S 151 IT /
OUTPUT



Parts list

Page 1 from 1



16 S 151 IT /

Material number: 6085.177.279

Plant: 078.08.06-1

Material-assembly-group-no: 6085.108.019

Pos.	Material number	Customer material	Name	Quantity	ME	Amend. no.	Techn. Info.	Rep kit	Alternative material
200	1316.338.005		OUTPUT FLANGE	1		Z00020928810			
210	---		HEXAGON SCREW	4			SCHUTZKAPPE M14X1,5X50		
---	0636.100.202		HEXAGON SCREW	4			M14X1,5X50		
220	0634.313.805	1351646	O-RING	1			82X4		
250	1312.332.028		WASHER	1					
260	0636.011.777		HEXAGON SCREW	2		Z00007292012	M12X60		