



# Spare Parts Catalog

12 AS 2301 IT (##### #: 14.01.2013)

Material number: 1327.040.034

ZF Friedrichshafen AG

Hauptverwaltung

80038 Friedrichshafen

Deutschland

Telefon: +49 7541 77-0

Telefax: +49 7541 77-908000

[www.zf.com](http://www.zf.com)

zuständiges Werk:

Friedrichshafen



Pos.	Information	Amendment number
001	Use case -----	
002	Customer MAN	
003	City NN	
004	DUNS	
005	Classification use case -----	
006	APPROVAL NOTE 1 ERSTEINBAU*UEBERPRUEFUNG ERFORDERLICH	
008	Product description -----	
009	ATTACHED AGRREGATES 1 IT ASTRONIC	
011	OUTER DIA. OUTPUT FLANGE RA 180 mm	
013	NO.OF SCREWS OUTPUT FLANGE RA 4	
015	DIA. THREAD OUTPUT FL. SCR. RA M14	
016	THREAD PITCH OUTPUT FL SCR. RA 1.5 mm	
017	THREAD LENGTH OUTP.FL SCREW RA 50 mm	
018	REF. LENGTH OUTPUT FLANGE RA 109.5 mm	
019	DIMENSION OUTPUT FLANGE SCREW M14X1,5X50	
020	CONNECT.LENGTH, OUTPUT FLANGE 109.5 mm	
022	NUMBER OF FLANGE BOLTS 4	
023	OUTSIDE DIA., OUTPUT FLANGE 180 mm	
025	ATTACHM.VAR,EMERG.STRG PUMP WITHOUT GROOVE	
032	ATTACHM.POS.HEAT EXCHANGER BACK LEFT	
033	1.INST.INSTRUCTION HEAT EXCHANGER WITH	
034	OIL CAPACITY, GEARBOX 21 dm3	
035	OIL FILL VARIANT EX WORKS	
036	OIL GRADE PERMISSIBLE ACC. TO TE-ML02	
037	CODING OUTER CONSERVATION KA1+2	
038	SCOPE OUTER CONSERVATION T	
039	CODING INNER CONSERVATION KI1	
040	CONSERVATION SPECIFICATION ZFN 916	
041	NUMBER OF PLUGS 17	
042	CODIERUNG STOPFENANZAHL	
043	COLOR JET BLACK	
044	COLOUR CLASSIFICATION ACC. TO RAL 9005	



Pos.	Information	Amendment number
045	PAINTING, ZF STANDARD 915 W	
047	TRANSMISSION VARIANT INTARDER	
048	NUMBER OF GEARS 12	
049	CHECK INFO NG GESCHALTET NACH FUNKTIONSL.	
050	HINWEIS PRUEFPROGRAMM 12GEAR OD	
052	CLEANNESSE SPECIFICATION ZFN 5015	
073	CLEANNESSE SCALE NUMBER 1 20	
074	CLEANNESSE SCALE NUMBER 2 16	
075	Documents -----	
076	GEARBOX Assembly 1327.600.012	
077	GEARBOX Drawing 1327.600.012	
078	Alias ID -----	
079	MAN 81.32003-6655	

# Assembly group overview

Material number: 1327.040.034

12 AS 2301 IT (текущая дата: 14.01.2013) /

Page 1 from 1



Graphics	Pos.	Material number	Name	Quantity	Amend. no.	Techn. Info.
105.A1.01-1	910	1327.001.062	12 AS TD/TO	1		
105.B3.01-1	916	6009.074.094	GS 3	1		
	922	6085.020.028	IT ASTRONIC	1		
078.01.11-1	110	6085.101.039	HOUSING	1		
078.02.03-1	120	6085.102.007	CONTROL UNIT	1		
078.02.83-1	130	6085.102.813	ANCHORAGE	1		
078.02.79-1	140	6085.102.800	CLOSING COMPONENTS	1		
078.03.01-1	150	6085.103.001	PUMP	1		
078.03.80-1	160	6085.103.800	PUMP	1		
	924	6085.177.319	ACCESSORIES	1		
078.01.84-1	114	6085.101.822	HOUSING	1		
078.02.80-1	124	6085.102.821	CONTROL UNIT	1		
078.05.14-1	170	6085.105.094	HEAT EXCHANGER	1		
078.05.82-1	180	6085.105.800	HEAT EXCHANGER	1		
078.08.04-1	220	6085.108.016	OUTPUT	1		
105.C1.03-1	998	6009.374.275	INSPECTION PROGRAM	1		

# Plant

Page 1 from 1

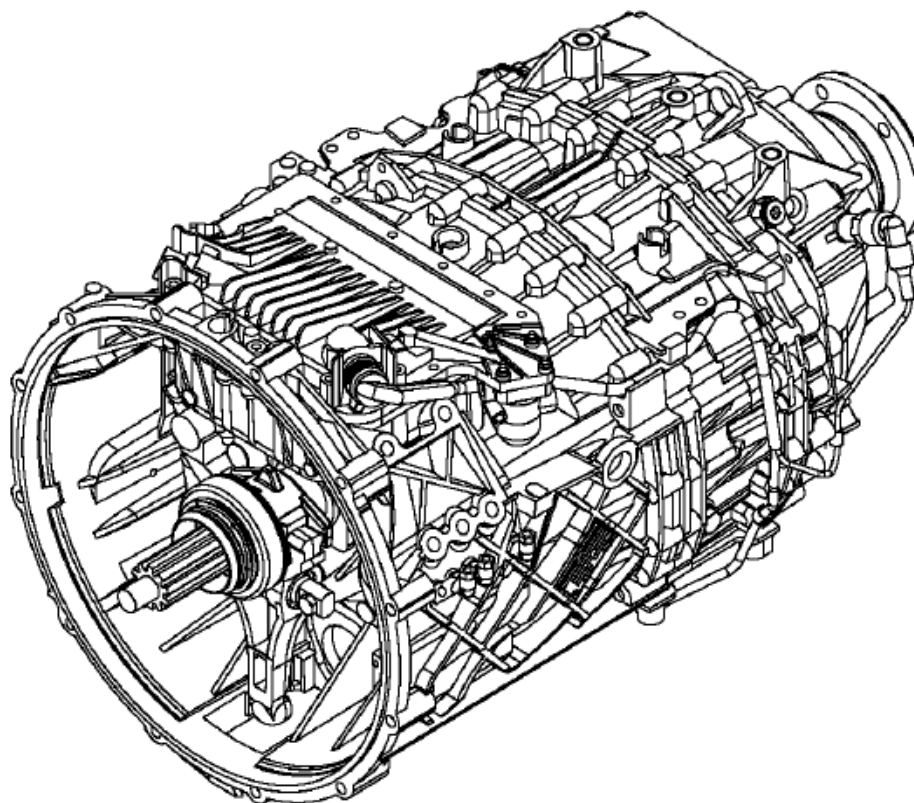
Material number: 1327.040.034

Plant: 105.A1.01-1

Material-assembly-group-no: 1327.001.062

12 AS 2301 IT (текущая дата: 14.01.2013) /

12 AS TD/TO



## Plant

Page 1 from 1

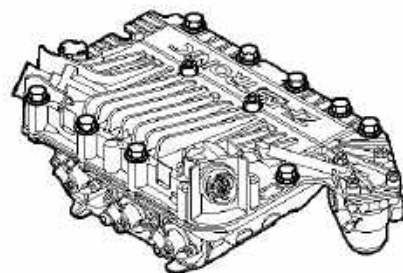
Material number: 1327.040.034

Plant: 105.B3.01-1

Material-assembly-group-no: 6009.074.094

12 AS 2301 IT (текущая дата: 14.01.2013) /

GS 3



# Parts list

Page 1 from 1

Material number: 1327.040.034

12 AS 2301 IT (текущая дата: 14.01.2013) /

Material-assembly-group-no: 6085.020.028



Pos.	Material number	Customer material	Name	Quantity	ME	Amend. no.	Techn. Info.	Weight	Rep kit	Alternative material
110	6085.101.039		HOUSING	1			IT2200* REDUZIEREINR. *KOKILLE	0,000		
120	6085.102.007		CONTROL UNIT	1			WT-ANGEFL* DINBAJ * O.P-STRICH* PLATTE	0,000		
130	6085.102.813		ANCHORAGE	1			RVI*O. PLATTE	0,000		
140	6085.102.800		CLOSING COMPONENTS	1			STEUERUNG	0,000		
150	6085.103.001		PUMP	1			STANDARD	0,000		
160	6085.103.800		PUMP	1			6KT.SCHRAUBE M8X80	0,000		

# Plant

Page 1 from 1

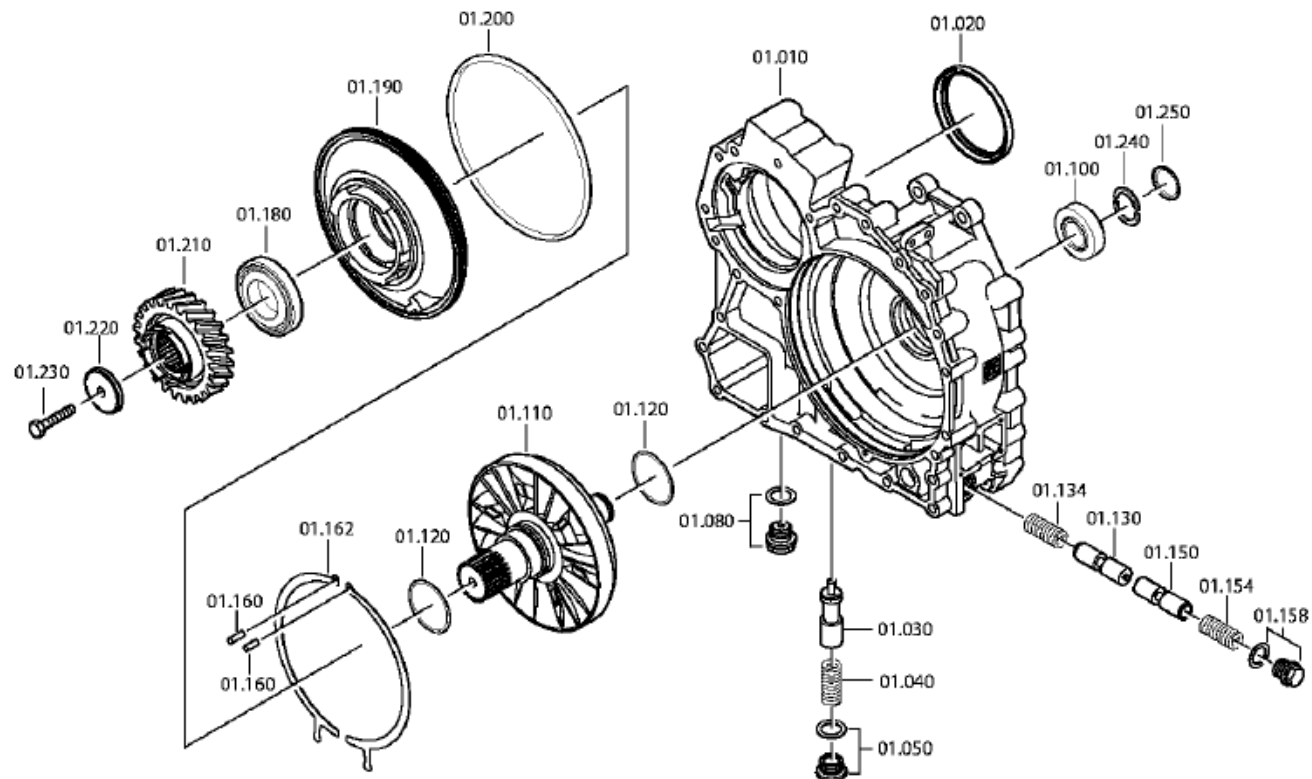
Material number: 1327.040.034

Plant: 078.01.11-1

Material-assembly-group-no: 6085.101.039

12 AS 2301 IT (текущая дата: 14.01.2013) /

HOUSING





# Parts list

Page 1 from 4

Material number: 1327.040.034

Plant: 078.01.11-1

Material-assembly-group-no: 6085.101.039

12 AS 2301 IT (текущая дата: 14.01.2013) /



Pos.	Material number	Customer material	Name	Quantity	ME	Amend. no.	Techn. Info.	Weight	Rep kit	Alternative material
10	6085.301.218		HOUSING	1		Z00004029510	IT ASTR O.SCH.O.LP EDELSTAHL	0,000		
12	0637.510.020		PLUG	1				0,000		
14	0637.510.020		PLUG	1				0,000		
20	0734.319.459	5330123552795	SHAFT SEAL	1			105X125X12/9,5	0,000		
30	6085.301.215		PISTON	1			VORSP. 1,5 BAR	0,000		
40	0732.042.403		COMPRSPRING	1				0,000		
50	---		SCREW PLUG	1			60N.M*DICHTRING* LOCTITE M26X1,5	0,000		
---	0736.300.151		SCREW PLUG	1		Z00010174110	M26X1,5	0,000		
---	0634.801.256		SEALING RING	1			26X31	0,000		
80	---		SCREW PLUG	1		Z00010176111	M24X1,5	0,000		
---	0736.300.160	4471982.1	SCREW PLUG	1		Z00010176110	M24X1,5 M24X1,5	0,000		
---	0730.008.637		SEALING RING	1		Z00010176110	24X29	0,000		
100	0750.117.353		TAROLLBEARING	1			33,3X68,2X22,2	384		
110	6085.301.053		ROTOR	1				0,000		
120	0734.401.251	5 8715 0	PISTON RING	2			65,1X70,0X3,5	0,000		
130	6085.301.156		PISTON	1		C01007405B10		0,000		

# Parts list

Page 2 from 4

Material number: 1327.040.034

Plant: 078.01.11-1

Material-assembly-group-no: 6085.101.039

12 AS 2301 IT (текущая дата: 14.01.2013) /



Pos.	Material number	Customer material	Name	Quantity	ME	Amend. no.	Techn. Info.	Weight	Rep kit	Alternative material
134	0732.042.765		COMPRSPRING	1				0,000		
150	6085.301.156		PISTON	1		C01007405B 10		0,000		
154	0732.042.765		COMPRSPRING	1				0,000		
158	---		SCREW PLUG	1		C01001320B 10	50N.M*DICHTRING* LOCTITE M22X1,5	0,000		
---	0736.300.154		SCREW PLUG	1		Z0001017501 2	M22X1,5 ERZ. M22X1,5	0,000		
---	0730.009.515		SEALING RING	1			A22X27	0,000		
160	0631.306.226		CYLINDRICAL PIN	2		C01005017B 10	6X32	0,000		
162	6085.301.155		OIL DAM	2		C01007405B 10		0,000		
180	0750.120.067		TAROLLBEARING	1		Z0000411151 0	50,800X95,250X27,783	0,000		
190	6085.301.206		STATOR	1		C01007898E 10		0,000		
200	0634.314.438		O-RING	1		C01004202F 10	240X3	0,000		
210	6085.301.033		HELICAL GEAR	1			ENTHALT.IN 6085 301 011(1)	0,000		
220	6085.301.220	1482055	WASHER	1		Z0000407241 0		0,000		
230	0636.011.434	1000000346	HEXAGON BOLT	1			M12X80	0,080		
240	---		SPLIT RING	1			H= 2,90- 3,70( ABSTUFUNG:0,05MM)	0,000		
---	6085.201.054		SPLIT RING	1			KPL.A=3,70	0,000		

# Parts list

Page 3 from 4

Material number: 1327.040.034

Plant: 078.01.11-1

Material-assembly-group-no: 6085.101.039

12 AS 2301 IT (текущая дата: 14.01.2013) /



Pos.	Material number	Customer material	Name	Quantity	ME	Amend. no.	Techn. Info.	Weight	Rep kit	Alternative material
---	6085.201.053		SPLIT RING	1			KPL.A=3,65	0,000		
---	6085.201.052		SPLIT RING	1			KPL.A=3,60	0,000		
---	6085.201.051		SPLIT RING	1			KPL.A=3,55	0,000		
---	6085.201.050		SPLIT RING	1			KPL.A=3,50	0,000		
---	6085.201.049		SPLIT RING	1			KPL.A=3,45	0,000		
---	6085.201.048		SPLIT RING	1			KPL.A=3,40	0,000		
---	6085.201.047		SPLIT RING	1			KPL.A=3,35	0,000		
---	6085.201.046		SPLIT RING	1			KPL.A=3,30	0,000		
---	6085.201.045		SPLIT RING	1			KPL.A=3,25	0,000		
---	6085.201.044		SPLIT RING	1			KPL.A=3,20	0,000		
---	6085.201.043		SPLIT RING	1			KPL.A=3,15	0,000		
---	6085.201.042		SPLIT RING	1			KPL.A=3,10	0,000		
---	6085.201.041		SPLIT RING	1			KPL.A=3,05	0,000		
---	6085.201.040		SPLIT RING	1			KPL.A=3,00	0,000		
---	6085.201.039		SPLIT RING	1			KPL.A=2,95	0,000		
---	6085.201.038		SPLIT RING	1			KPL.A=2,90	0,000		

## Parts list

Page 4 from 4

Material number: 1327.040.034

Plant: 078.01.11-1

Material-assembly-group-no: 6085.101.039

12 AS 2301 IT (текущая дата: 14.01.2013) /



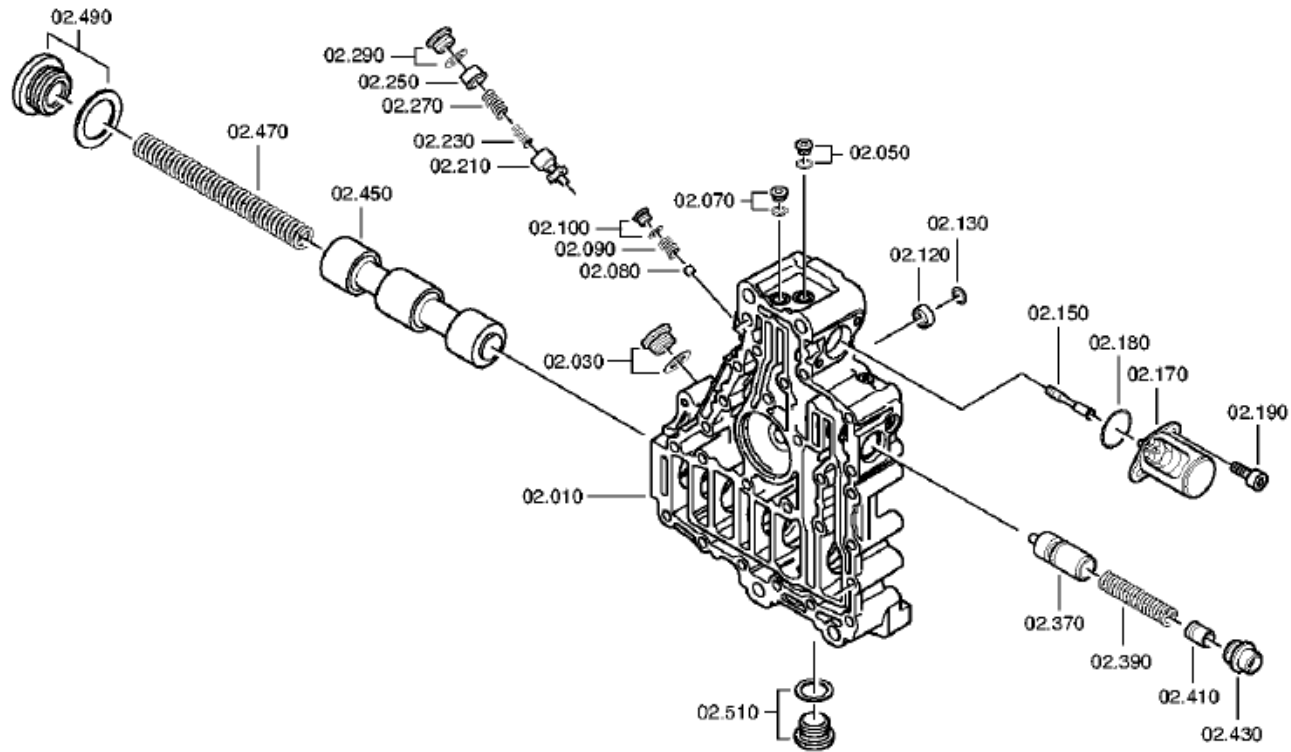
Pos.	Material number	Customer material	Name	Quantity	ME	Amend. no.	Techn. Info.	Weight	Rep kit	Alternative material
250	0730.063. 154		RETAINING RING	1		C01004428B 10	A=3,40 IN 0730 062 636(2)	0,000		
620	0730.365. 241		TYPE PLATE	1			EINHEITSSCH. VERDREHSICHER	0,000		
630	0731.300. 027		BLIND RIVET	4				0,000		

# Plant

Page 1 from 3

Material number: 1327.040.034  
Plant: 078.02.03-1  
CONTROL UNIT

12 AS 2301 IT (текущая дата: 14.01.2013) /  
CONTROL UNIT

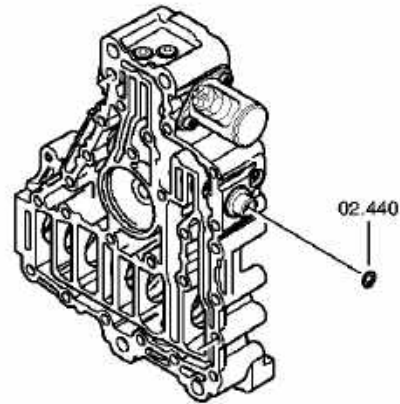


# Plant

Page 2 from 3

Material number: 1327.040.034  
Plant: 078.02.79-1  
CONTROL UNIT

12 AS 2301 IT (текущая дата: 14.01.2013) /  
CONTROL UNIT

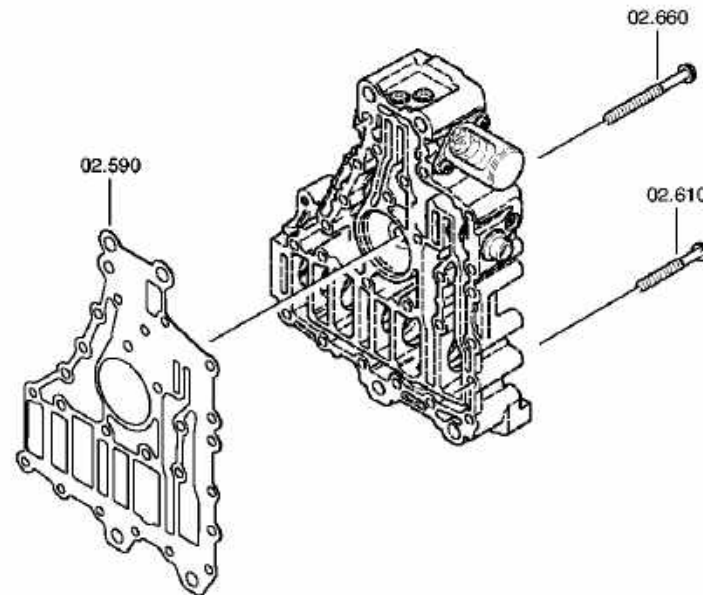


# Plant

Page 3 from 3

Material number: 1327.040.034  
Plant: 078.02.83-1  
CONTROL UNIT

12 AS 2301 IT (текущая дата: 14.01.2013) /  
CONTROL UNIT



# Parts list

Page 1 from 3

Material number: 1327.040.034

Plant: 078.02.03-1

Material-assembly-group-no: 6085.102.007

12 AS 2301 IT (текущая дата: 14.01.2013) /



Pos.	Material number	Customer material	Name	Quantity	ME	Amend. no.	Techn. Info.	Weight	Rep kit	Alternative material
10	6085.202.010		CONTROL HOUSING	1			KPL.IT*WT-ANGEFL	0,000		
30	---		SCREW PLUG	1			60N.M*DICHTRING* LOCTITE M26X1,5	0,000		
---	0736.300.152		SCREW PLUG	1		Z0001017431 0	M26X1,5	0,000		
---	0634.801.256		SEALING RING	1			26X31	0,000		
50	---		SCREW PLUG	1			23N.M*DICHTRING* LOCTITE M12X1,5	0,000		
---	0636.100.792		SCREW PLUG	1		Z0001016291 2	M12X1,5	0,000		
---	0634.801.028		SEALING RING	1		C01002993C 10	12X16	0,000		
70	---		SCREW PLUG	1			23N.M*DICHTRING* LOCTITE M12X1,5	0,000		
---	0636.100.792		SCREW PLUG	1		Z0001016291 2	M12X1,5	0,000		
---	0634.801.028		SEALING RING	1		C01002993C 10	12X16	0,000		
80	0635.460.021	1000000324	BALL	1			10	0,010		
90	0732.041.247		COMPRSPRING	1				0,000		
100	---		SCREW PLUG	1			23N.M*DICHTRING* LOCTITE M12X1,5	0,000		
---	0636.100.792		SCREW PLUG	1		Z0001016291 2	M12X1,5	0,000		
---	0634.801.028		SEALING RING	1		C01002993C 10	12X16	0,000		
120	0635.303.038	8 8981 0	NEEDLE SLEEVE	1			12X18X12	0,000		



# Parts list

Page 2 from 3

Material number: 1327.040.034

Plant: 078.02.03-1

Material-assembly-group-no: 6085.102.007

12 AS 2301 IT (текущая дата: 14.01.2013) /



Pos.	Material number	Customer material	Name	Quantity	ME	Amend. no.	Techn. Info.	Weight	Rep kit	Alternative material
130	0630.532.140		V-RING	1				1		
150	6085.302.040		PISTON	1			VORSTEUERKOLBEN	0,000		
170	0501.328.508		MAGNET	1		Z00014063210	BAJONETT	0,000		
180	0634.313.017		O-RING	1			27X3	0,002		
190	0636.115.300		CAP SCREW	2		Z00007064111	M8X22	0,000		
210	6085.302.044		PISTON	1		Z00015188010	DR.BEGR. AUSSEN 12 BAR	0,000		
230	0732.042.470		COMPRSPRING	1				0,000		
250	6085.302.043		PISTON	1		Z00015188010	DR.BEGR. INNEN 12 BAR	0,000		
270	0732.042.471		COMPRSPRING	1				0,000		
290	---		SCREW PLUG	1			60N.M*DICHTRING* LOCTITE M26X1,5	0,000		
---	0736.300.152		SCREW PLUG	1		Z00010174310	M26X1,5	0,000		
---	0634.801.256		SEALING RING	1			26X31	0,000		
370	6085.302.041		PISTON	1			REGELKOLBEN	0,000		
390	0732.042.741		COMPRSPRING	1				0,000		
410	6085.302.042		PISTON	1			REGEL INNEN	0,000		
430	6085.202.015		ADJUSTING SCREW	1			KPL.	0,000		

# Parts list

Page 3 from 3

Material number: 1327.040.034

Plant: 078.02.03-1

Material-assembly-group-no: 6085.102.007

12 AS 2301 IT (текущая дата: 14.01.2013) /



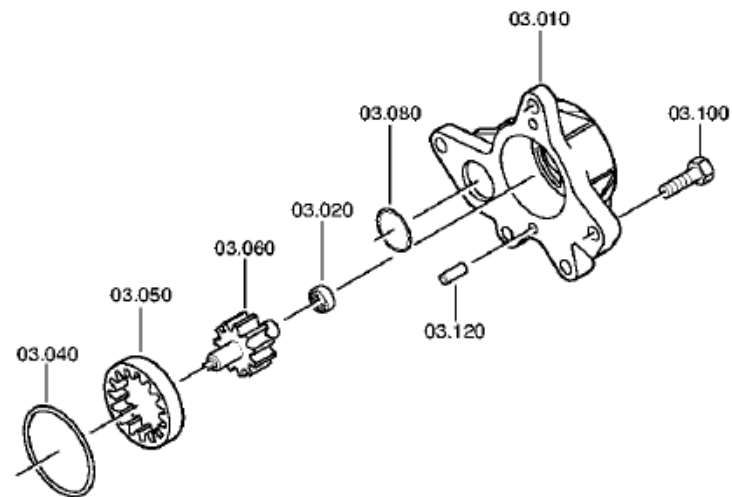
Pos.	Material number	Customer material	Name	Quantity	ME	Amend. no.	Techn. Info.	Weight	Rep kit	Alternative material
440	0730.301.060		SEALING CAP	1		Z0000891851 1		0,000		
450	6085.302.048		PISTON	1			UMSCHALTKOLBEN	0,000		
470	0732.042.402		COMPRSPRING	1				0,000		
490	---		SCREW PLUG	1			150N.M*DICHTRING* LOCTITE M48X1,5	0,000		
---	0736.300.223		SCREW PLUG	1			M48X1,5 M48X1,5	0,000		
---	0634.801.329		SEALING RING	1			48X55	0,000		
510	---		SCREW PLUG	1		C01001321B 10	60N.M*DICHTRING* LOCTITE M24X1,5	0,000		
---	0636.302.612		SCREW PLUG	1		Z0001016421 0	M24X1,5	0,000		
---	0730.008.637		SEALING RING	1			24X29	0,000		
590	0501.314.434	5 6094 0	GASKET	1				0,000		
610	0736.300.137	1197869	HEXAGON BOLT	13			M8X80 M8X80	0,000		
660	0736.300.137	1197869	HEXAGON BOLT	7			M8X80 M8X80	0,000		

# Plant

Page 1 from 2

Material number: 1327.040.034  
Plant: 078.03.01-1  
PUMP

12 AS 2301 IT (текущая дата: 14.01.2013) /  
PUMP

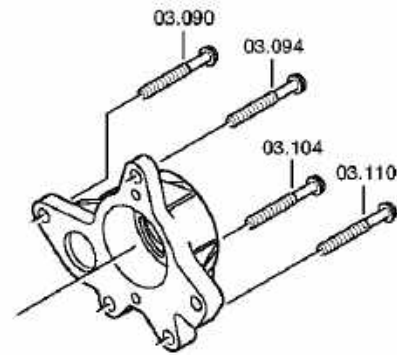


# Plant

Page 2 from 2

Material number: 1327.040.034  
Plant: 078.03.80-1  
PUMP

12 AS 2301 IT (текущая дата: 14.01.2013) /  
PUMP



# Parts list

Page 1 from 1

Material number: 1327.040.034

Plant: 078.03.01-1

Material-assembly-group-no: 6085.103.001

12 AS 2301 IT (текущая дата: 14.01.2013) /



Pos.	Material number	Customer material	Name	Quantity	ME	Amend. no.	Techn. Info.	Weight	Rep kit	Alternative material
10	6085.303.011		PUMP HOUSING	1				0,000		
20	0635.303.038	8 8981 0	NEEDLE SLEEVE	1			12X18X12	0,000		
40	0634.313.568	T158745	O-RING	1			63X3	0,003		
50	6085.303.008		RING GEAR	1				0,000		
60	6085.203.001		SHAFT	1			KPL.	0,000		
80	0634.313.056	00579163	O-RING	1			37X3	0,002		
90	0736.300.137	1197869	HEXAGON BOLT	1		Z0000919541 0	M8X80 M8X80	0,000		
94	0736.300.137	1197869	HEXAGON BOLT	1		Z0000919541 0	M8X80 M8X80	0,000		
100	0636.100.797		HEXAGON BOLT	1		Z0000789131 2	M8X30	0,000		
104	0736.300.137	1197869	HEXAGON BOLT	1		Z0000919541 0	M8X80 M8X80	0,000		
110	0736.300.137	1197869	HEXAGON BOLT	1		Z0000919541 0	M8X80 M8X80	0,000		
120	0631.306.717		CYLINDRICAL PIN	2		C01004414B 10	8X14	0,000		

# Parts list

Page 1 from 1

Material number: 1327.040.034

12 AS 2301 IT (текущая дата: 14.01.2013) /

Material-assembly-group-no: 6085.177.319



Pos.	Material number	Customer material	Name	Quantity	ME	Amend. no.	Techn. Info.	Weight	Rep kit	Alternative material
114	6085.101.822		HOUSING	1			IT2200 *KOKILLE	0,000		
124	6085.102.821		CONTROL UNIT	1			WT-ANGEFL *SCHR. M10X110*ASTRONIC* ANZUGSM*	0,000		
170	6085.105.094		HEAT EXCHANGER	1			LINKS*EDELSTAHL* LKW*BAJ*80*MIT* 60*WA-GERA* SCHUTZKAPPE	0,000		
180	6085.105.800		HEAT EXCHANGER	1			IT151/221*IT109* IT2200 *WT-ANGEFL	0,000		
220	6085.108.016		OUTPUT	1			AD=180*LZ=4*D= 15*L=109,5 *SCHR= 4XM14X1,5X50*IT ASTRONIC	0,000		

# Plant

Page 1 from 1

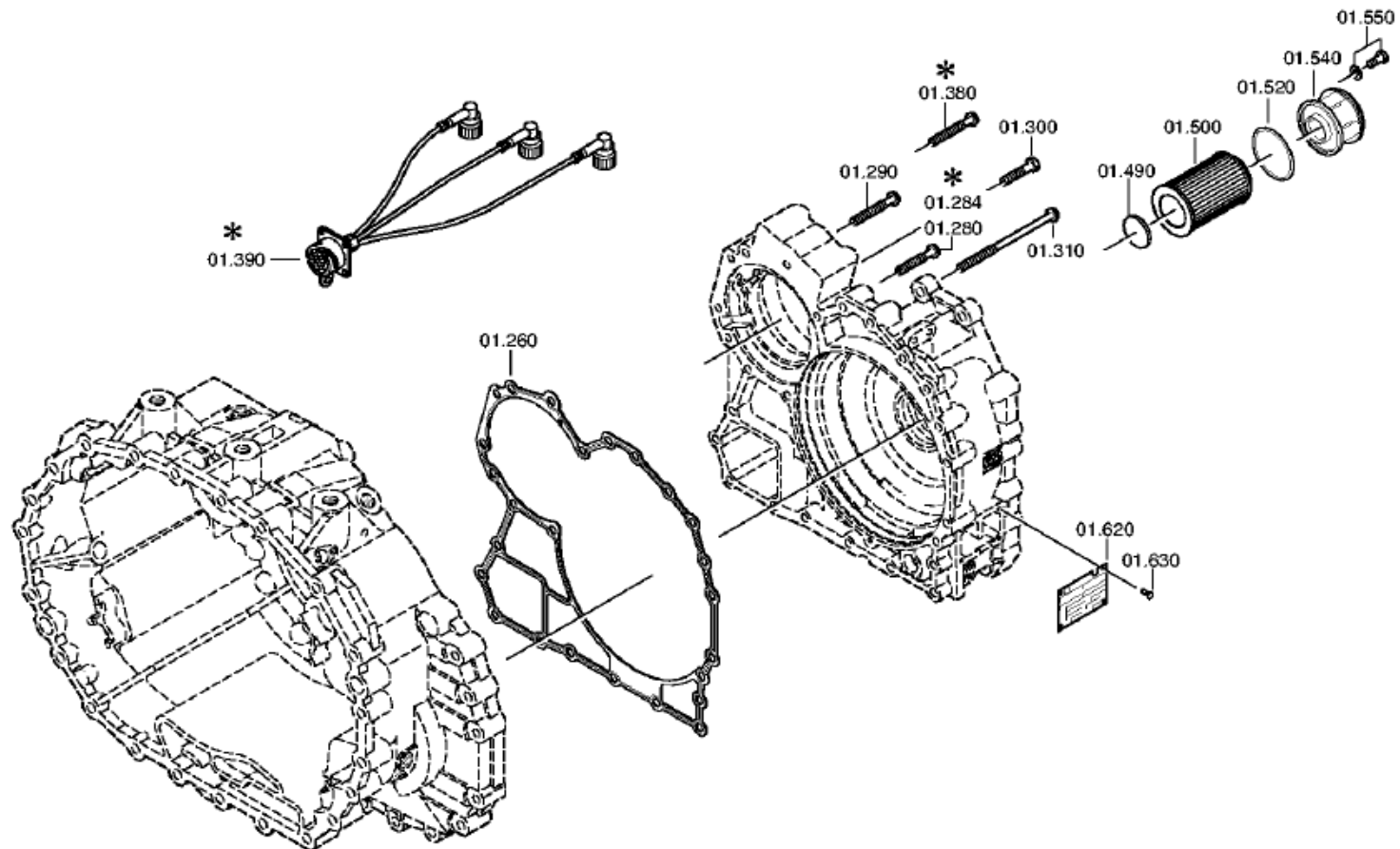
Material number: 1327.040.034

Plant: 078.01.84-1

Material-assembly-group-no: 6085.101.822

12 AS 2301 IT (текущая дата: 14.01.2013) /

HOUSING



# Parts list

Page 1 from 1

Material number: 1327.040.034

Plant: 078.01.84-1

Material-assembly-group-no: 6085.101.822

12 AS 2301 IT (текущая дата: 14.01.2013) /



Pos.	Material number	Customer material	Name	Quantity	ME	Amend. no.	Techn. Info.	Weight	Rep kit	Alternative material
260	0501.317.289		GASKET	1			INTARDER ASTRONIC	0,000		
280	0636.016.405		HEXAGON BOLT	16		Z00007060115	M10X60	0,000		
290	0736.300.127		HEXAGON BOLT	4		Z00009403610	M10X80	0,000		
300	0636.100.413		HEXAGON BOLT	2		Z00016613710	M10X40	0,000		
310	0736.300.119		HEXAGON BOLT	3		Z00009403410	M10X140 M10X140	0,000		
490	4139.306.673		MAGNET	1		Z00016339810		0,000		
500	0501.210.798		SCREEN INSERT	1		Z00007671110	KPL.	0,000		
520	0634.313.067		O-RING	1			70X3	0,003		
540	---		COVER	1			IT FILTER*GDSDL/GSLS	0,000		
---	6085.301.020		COVER	1				0,000		
---	1315.378.074		COVER	1				0,000		
550	0636.024.527		HEXAGON BOLT	1		Z00007288310	M8X20	0,000		



# Plant

Page 1 from 1

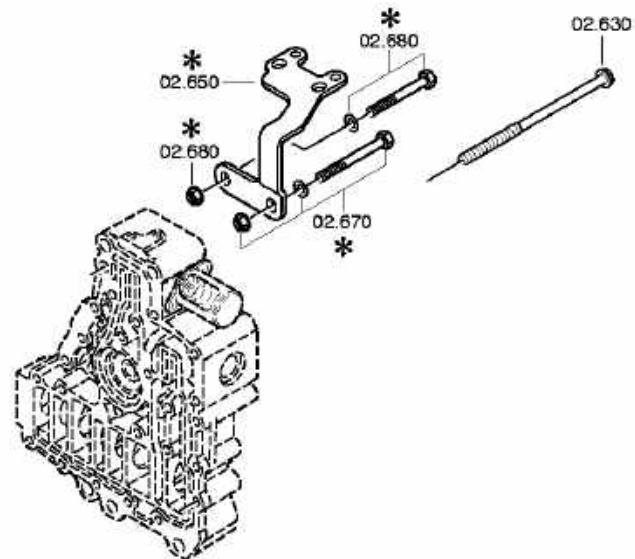
Material number: 1327.040.034

Plant: 078.02.80-1

Material-assembly-group-no: 6085.102.821

12 AS 2301 IT (текущая дата: 14.01.2013) /

CONTROL UNIT



# Parts list

Page 1 from 1

Material number: 1327.040.034

12 AS 2301 IT (текущая дата: 14.01.2013) /

Plant: 078.02.80-1

Material-assembly-group-no: 6085.102.821



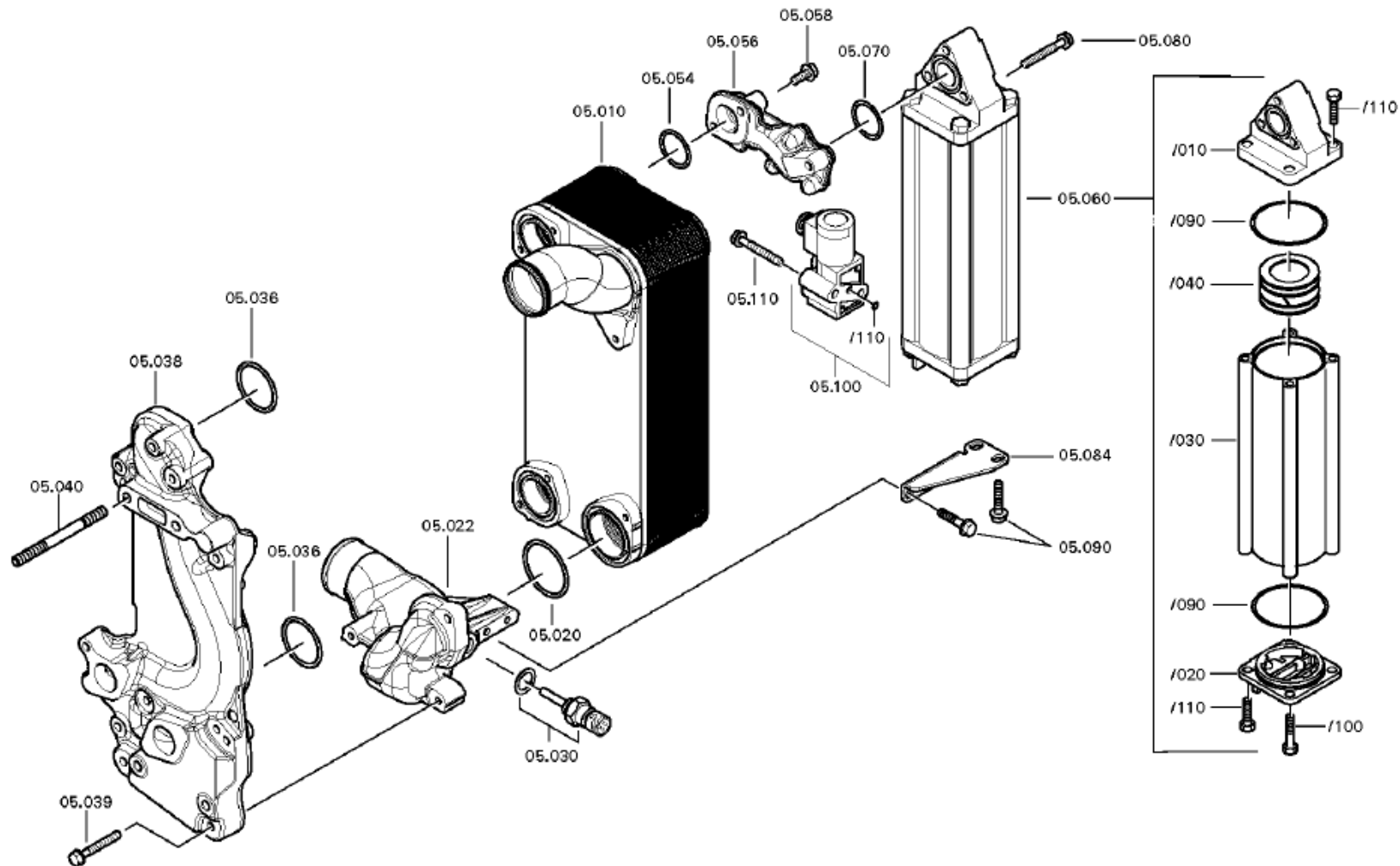
Pos.	Material number	Customer material	Name	Quantity	ME	Amend. no.	Techn. Info.	Weight	Rep kit	Alternative material
630	0736.300. 122		HEXAGON BOLT	1		Z0000940311 0	M10X110 M10X110	0,000		

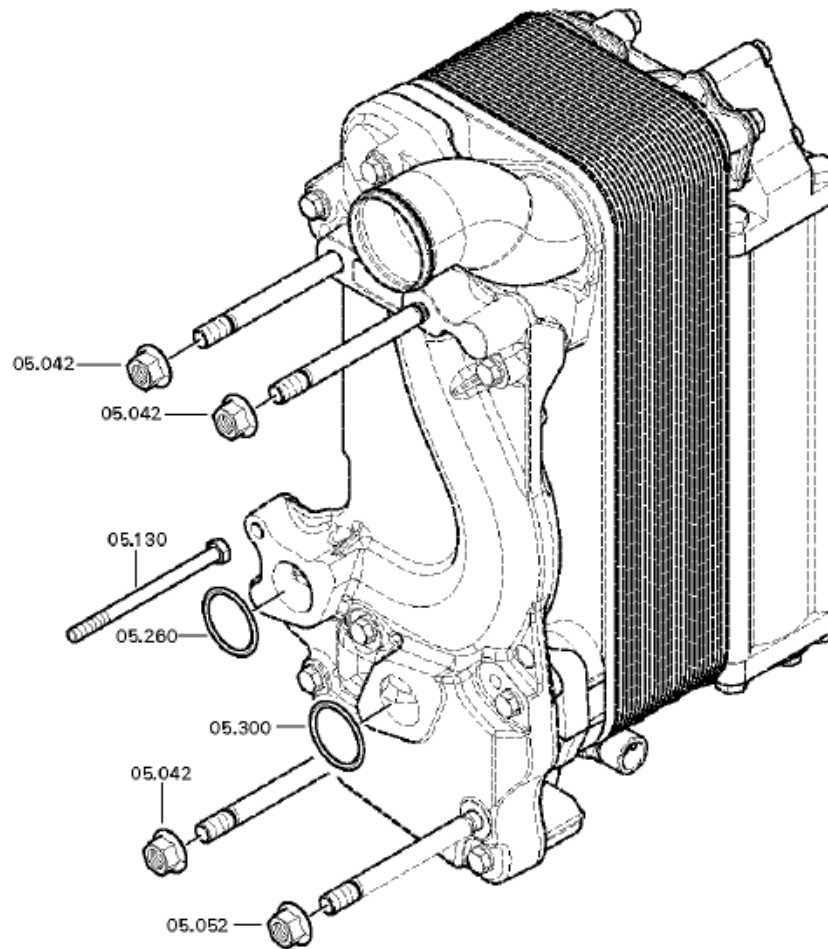
# Plant

Page 1 from 2

Material number: 1327.040.034  
Plant: 078.05.14-1  
HEAT EXCHANGER

12 AS 2301 IT (текущая дата: 14.01.2013) /  
HEAT EXCHANGER





# Parts list

Page 1 from 3

Material number: 1327.040.034

Plant: 078.05.14-1

Material-assembly-group-no: 6085.105.094

12 AS 2301 IT (текущая дата: 14.01.2013) /



Pos.	Material number	Customer material	Name	Quantity	ME	Amend. no.	Techn. Info.	Weight	Rep kit	Alternative material
10	0501.217.248		HEAT EXCHANGER	1		Z00004287210	KPL.	0,000		
20	0634.100.059	7421941911	O-RING	1		Z00004287210	58X4	0,000		
22	6085.205.013		CONNHOUSING	1		Z00004287210	KPL.	0,000		
30	---		TEMPERATURE SENSOR	1		Z00004287210	BAJONETT* SCHUTZKAPPE	0,000		
---	0501.322.529		TEMPERATURE SENSOR	1		Z00004287210	BAJONETT	0,000		
---	0634.801.056	S300496	SEALING RING	1		Z00004287210	18X22	1		
---	0700.300.427		PROTECTION CAP	1		Z00004287210		0,005		
36	0634.313.622	7421942226	O-RING	2		Z00004287210	50X4	0,000		
38	6085.305.219		INTERMHOUSING	1		Z00004287210	SENKRECHT	0,000		
39	0736.300.135	81.90001-0428	HEXAGON BOLT	9		Z00009195110	M8X60	0,000		
40	0636.604.572		STUD	4		Z00007281314	M12X120	0,000		
42	---		HEXAGON NUT	3			M12	0,000		
---	0637.025.112		HEXAGON NUT	3		Z00007283610	M12	0,000		
52	---		HEXAGON NUT	1			M12	0,000		
---	0637.025.112		HEXAGON NUT	1		Z00007283610	M12	0,000		
54	0634.316.059	8900108145	O-RING	1		Z00004287210	38X3	2		
56	6085.305.124		OIL FEEDHOUSG	1		Z00004287210		0,000		

# Parts list

Page 2 from 3

Material number: 1327.040.034

Plant: 078.05.14-1

Material-assembly-group-no: 6085.105.094

12 AS 2301 IT (текущая дата: 14.01.2013) /



Pos.	Material number	Customer material	Name	Quantity	ME	Amend. no.	Techn. Info.	Weight	Rep kit	Alternative material
58	0636.102.399		HEXAGON BOLT	3		Z00010895010	M8X38	0,000		
60	0501.209.460	2268.061.0030	ACCUMULATOR	1		Z00004287210	KPL.	0,000		
/10	0501.315.808		COVER	1			ENTHALT.IN 0501 209 460(0)	0,000		
/20	0501.315.809		VALVE CARRIER	1			ENTHALT.IN 0501 209 460(0)	0,000		
/30	0501.315.810		PIPE	1			ENTHALT.IN 0501 209 460(0)	0,000		
/40	0501.218.028		PISTON	1		Z00006675410	KPL.	0,000		
/90	0634.316.510	571813008	O-RING	2			80X3	0,030		
/100	0636.011.755		HEXAGON BOLT	1		Z00007049011	M10X60	0,000		
/110	0636.015.682		HEXAGON BOLT	7		Z00007056513	M10X35	0,000		
70	0634.316.059	8900108145	O-RING	1		Z00004287210	38X3	2		
80	0736.300.135	81.90001-0428	HEXAGON BOLT	3		Z00009195110	M8X60	0,000		
84	6085.305.125		FIXING PLATE	1		Z00004287210		0,000		
90	0636.100.435	7421945306	HEXAGON BOLT	4		Z00007063110	M8X20	0,000		
100	0501.321.459		VALVE	1		Z00004287210	BAJONETT	0,000		
/110	0634.316.159		O-RING	1			7X2	0,000		
110	0736.300.135	81.90001-0428	HEXAGON BOLT	2		Z00009195110	M8X60	0,000		

## Parts list

Page 3 from 3

Material number: 1327.040.034

Plant: 078.05.14-1

Material-assembly-group-no: 6085.105.094

12 AS 2301 IT (текущая дата: 14.01.2013) /



Pos.	Material number	Customer material	Name	Quantity	ME	Amend. no.	Techn. Info.	Weight	Rep kit	Alternative material
130	0636.011.770		HEXAGON BOLT	1		Z00007055610	M8X115	0,000		
260	0634.313.056	00579163	O-RING	1			37X3	0,002		
300	0634.313.056	00579163	O-RING	1			37X3	0,002		

# Plant

Page 1 from 1

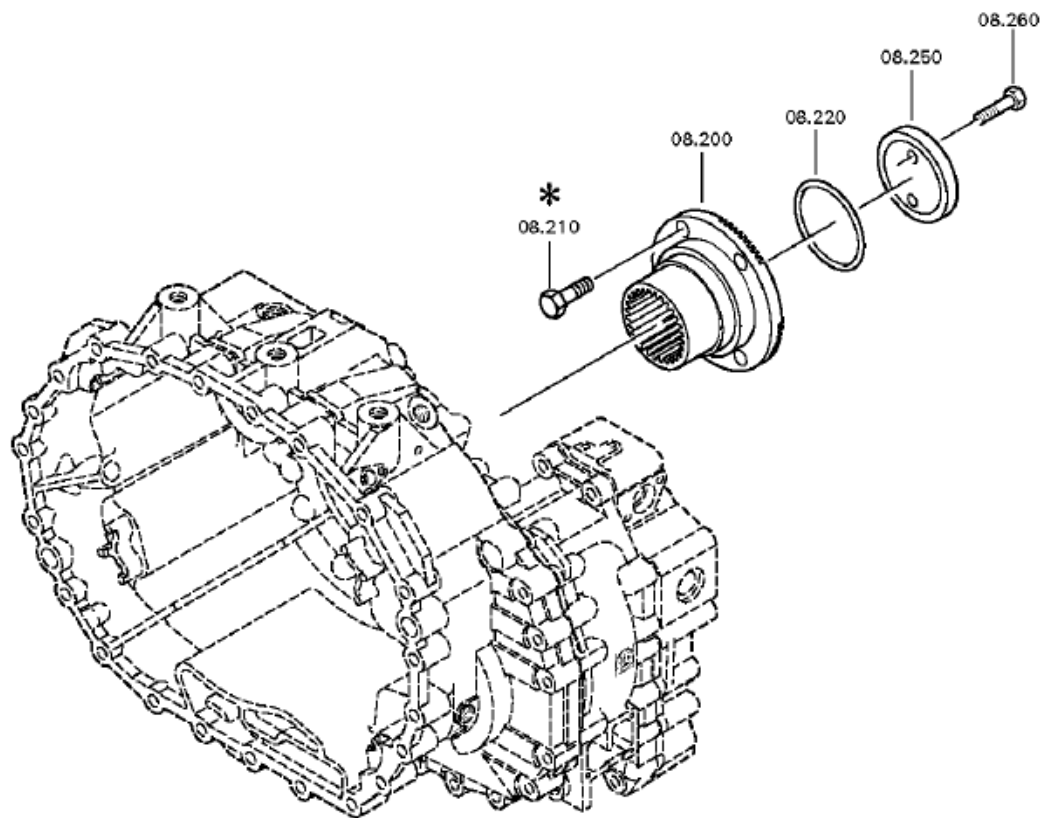
Material number: 1327.040.034

Plant: 078.08.04-1

Material-assembly-group-no: 6085.108.016

12 AS 2301 IT (текущая дата: 14.01.2013) /

OUTPUT





# Parts list

Page 1 from 1

Material number: 1327.040.034

Plant: 078.08.04-1

Material-assembly-group-no: 6085.108.016

12 AS 2301 IT (текущая дата: 14.01.2013) /



Pos.	Material number	Customer material	Name	Quantity	ME	Amend. no.	Techn. Info.	Weight	Rep kit	Alternative material
200	1314.332.054		OUTPUT FLANGE	1				0,000		
210	---		HEXAGON BOLT	4			SCHUTZKAPPE M14X1,5X50	0,000		
---	0636.100.202		HEXAGON BOLT	4			M14X1,5X50	0,000		
220	0634.313.805		O-RING	1			82X4	0,000		
250	1312.332.028		WASHER	1				0,000		
260	0636.011.777		HEXAGON BOLT	2		Z0000729201 2	M12X60	0,000		

# Plant

Page 1 from 1

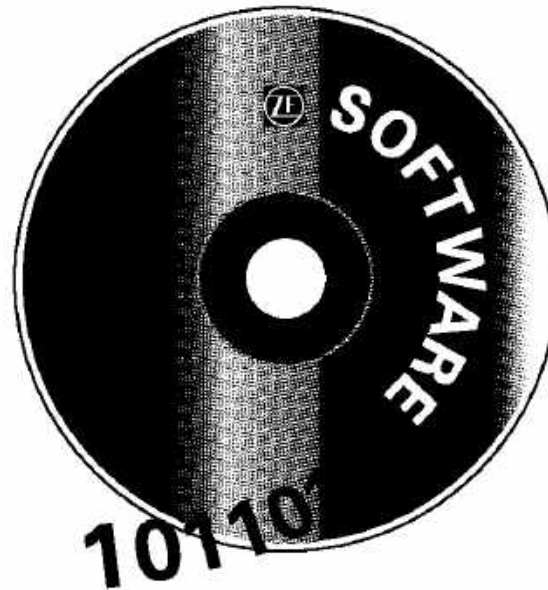
Material number: 1327.040.034

Plant: 105.C1.03-1

Material-assembly-group-no: 6009.374.275

12 AS 2301 IT (текущая дата: 14.01.2013) /

INSPECTION PROGRAM



# Parts list

Page 1 from 1

Material number: 1327.040.034

12 AS 2301 IT (текущая дата: 14.01.2013) /

Plant: 105.C1.03-1

Material-assembly-group-no: 6009.374.275



Pos.	Material number	Customer material	Name	Quantity	ME	Amend. no.	Techn. Info.	Weight	Rep kit	Alternative material
	6009.374.275		INSPECTION PROGRAM	1				0,000		



Pos.	Information	Amendment number
001	Use case -----	
002	Customer MAN	
003	City NN	
004	DUNS	
005	Product description -----	
006	TRANSMISSION ATTACHMENT FLANGE-MOUNTED	
007	RATIO, BOTTOM GEAR 12.33	
008	RATIO, TOP GEAR .78	
009	RATIO, 1ST GEAR 12.33	
010	RATIO, 2ND GEAR 9.59	
011	RATIO, 3RD GEAR 7.43	
012	RATIO, 4TH GEAR 5.78	
013	RATIO, 5TH GEAR 4.56	
014	RATIO, 6TH GEAR 3.55	
015	RATIO, 7TH GEAR 2.7	
016	RATIO, 8TH GEAR 2.1	
017	RATIO, 9TH GEAR 1.63	
018	RATIO, 10TH GEAR 1.26	
019	RATIO, 11TH GEAR 1	
020	RATIO, 12TH GEAR .78	
025	RATIO, 1ST GEAR REVERSE 11.41	
026	RATIO, 2ND GEAR REVERSE 8.88	
027	SET OF RATIOS SG	
029	DESIGN, SHIFT SYSTEM SFI	
030	DESIGN, SEPARATING CLUTCH AUTOMATED DOG CLUTCH SHIFT	
031	REFERENCE LENGTH INPUT SHAFT 109 mm	
032	STANDARD TYPE INPUT SHAFT SAE	
033	NUMBER OF WEDGES INPUT SHAFT 10	
034	VERSION OF INPUT SHAFT FORM C	
035	NOMINAL DIAMETER INPUT SHAFT 2 in	
036	DIAMETER, JOURNAL, INPUT SHAFT 25 mm	
037	TYPE FIT SPIGOTS INPUT SHAFT F7	



Pos.	Information	Amendment number
038	DIAMETER SHAFT OF INPUT SHAFT 50.3 mm	
039	BUSH VARIANT INPUT SHAFT WITHOUT GROOVE	
042	DESIGN,CONN., CLUTCH HOUSING SAE 1	
043	CENTR.DIA,HSG/ENGINE CONNECT. 511.175 mm	
044	NUMBER OF BORES,ENGINE CONN. 12	
045	BORE DIA, ENGINE CONNECTION 11 mm	
047	REF.LENGTH,RELEASE BEAR.FLAN -23.3 mm	
048	DIAMETER, RELEASE FLANGE 62.611 mm	
049	OUTER DIAMETER RELEASE BEARING 62.900 mm	
050	LENGTH, RELEASE BEARING 95.000 mm	
051	WRENCH SIZE, RELEASE FORK 116.000 mm	
052	DESIGN, RELEASE FORK WITH ROLLERS	
053	LAENGE DRUCKSTANGE AUSR.LAGER 127 mm	
066	SWITCH, NEUTRAL GEAR n	
067	DESIGN,NG(NEUTRAL GEAR)SWITCH WITHOUT GROOVE	
068	PROT.CAP SWITCH, NEUTRAL GEAR n	
080	IMPULSZAHL IMP.GEBER SFI H78 8.14 IMP/U	
081	AUSF IMPULSGEBER SFI H78 WITH	
082	SCHUTZKAPPE IMP.GEBER RET H78 n	
083	NO.OF PULSES PULSE SENSOR RET. H80 8.14 IMP/U	
084	DESIGN PULSE SENSOR RETARDER H80 WITH	
085	MOUNTING POSITION PULSE SENSOR H80 INTARDER	
086	PROT.CAP PULSE SENSOR RET. H80 y	
087	DESIGN CONN.PULSE SENSOR RET H80 DIN BAYONET	
088	DESIGN PULSE SENSOR RETARDER H80 KITAS II	
089	NOTE PULSE SENSOR H80 ADR-EXPLOSION-PROOF	
093	ATTACHM.VAR,EMERG.STRG PUMP WITHOUT GROOVE	
095	DESIGN GEARING AT AN ANGLE	
096	NUMBER, POLES, CLUTCH ACTUATOR 20	
100	PULSE SENSOR TRANSMISSION WITH	
101	PROT.CAP PULSE SENSOR GEARBOX n	
102	PULSE RATE PULSE SENS GEARBOX 8.140 IMP/U	



Pos.	Information	Amendment number
103	TACHO IMPULSGEBER y	
104	PROTECTING CAP SPEEDO PULSE SENSOR WITH	
105	PULSE RATE, SPEEDO 8.140 IMP/U	
106	DESIG,CONN,SPEEDO PULSE SENSOR DIN BAYONET	
107	DESIGN, SPEEDO PULSE SENSOR KITAS	
110	RELEASE LEVER y	
111	Documents -----	
112	GEARBOX Assembly 1327.030.021	
113	GEARBOX Drawing 1327.030.021	
114	GEARBOX Drawing 1328.192.002	

# Assembly group overview

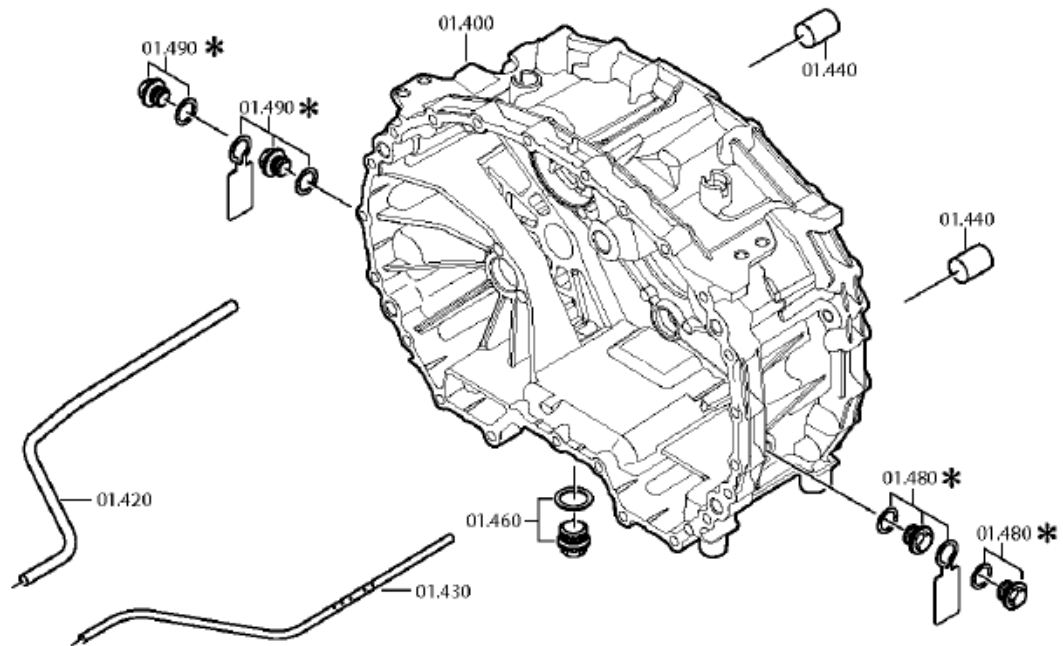
Material number: 1327.001.062

12 AS 2301 IT (текущая дата: 14.01.2013) /



Page 1 from 1

Graphics	Pos.	Material number	Name	Quantity	Amend. no.	Techn. Info.
105.01.43-1	110	1327.101.019	GEARBOX HOUSING	1		
105.01.05-1	120	1328.101.820	GEARBOX HOUSING	1		
105.02.03-1	10	1327.102.013	INPUT SHAFT	1		
105.02.40-1	140	1328.102.403	CONNPLATE	1		
105.02.80-1	150	1328.102.804	CONNPLATE	1		
105.03.02-1	20	1327.103.012	LAYSHAFT	1		
105.03.80-1	180	1327.103.803	BRAKE	1		
105.04.05-1	30	1327.104.013	MAIN SHAFT	1		
105.05.01-1	220	1328.105.005	RETURN	1		
105.06.08-1	230	1327.106.004	GEAR SHIFT SYSTEM	1		
105.06.80-1	240	1328.106.803	GEAR SHIFT SYSTEM	1		
105.40.05-1	500	1328.112.004	GV-SHIFT SYSTEM	1		
069.43.04-1	10	1314.131.023	GP HOUSING	1		
105.43.41-1	20	1328.131.437	CLOSING COMPONENTS	1		
105.43.80-1	580	1328.131.802	GP HOUSING	1		
105.43.42-1	590	1328.131.422	CONNECTING PARTS	1		
105.44.01-1	30	1328.132.008	PLANETARY DRIVE	1		
105.44.80-1	600	1328.132.803	PLANETARY DRIVE	1		
105.45.01-1	50	1328.133.003	SYNCHRONIZER	1		
105.46.03-1	60	1327.134.007	GP SHIFT SYSTEM	1		
105.93.06-1	300	1328.168.011	CLUTCH RELEASE DEVICE	1		
105.93.87-1	310	1328.168.831	CLUTCH RELEASE DEVICE	1		



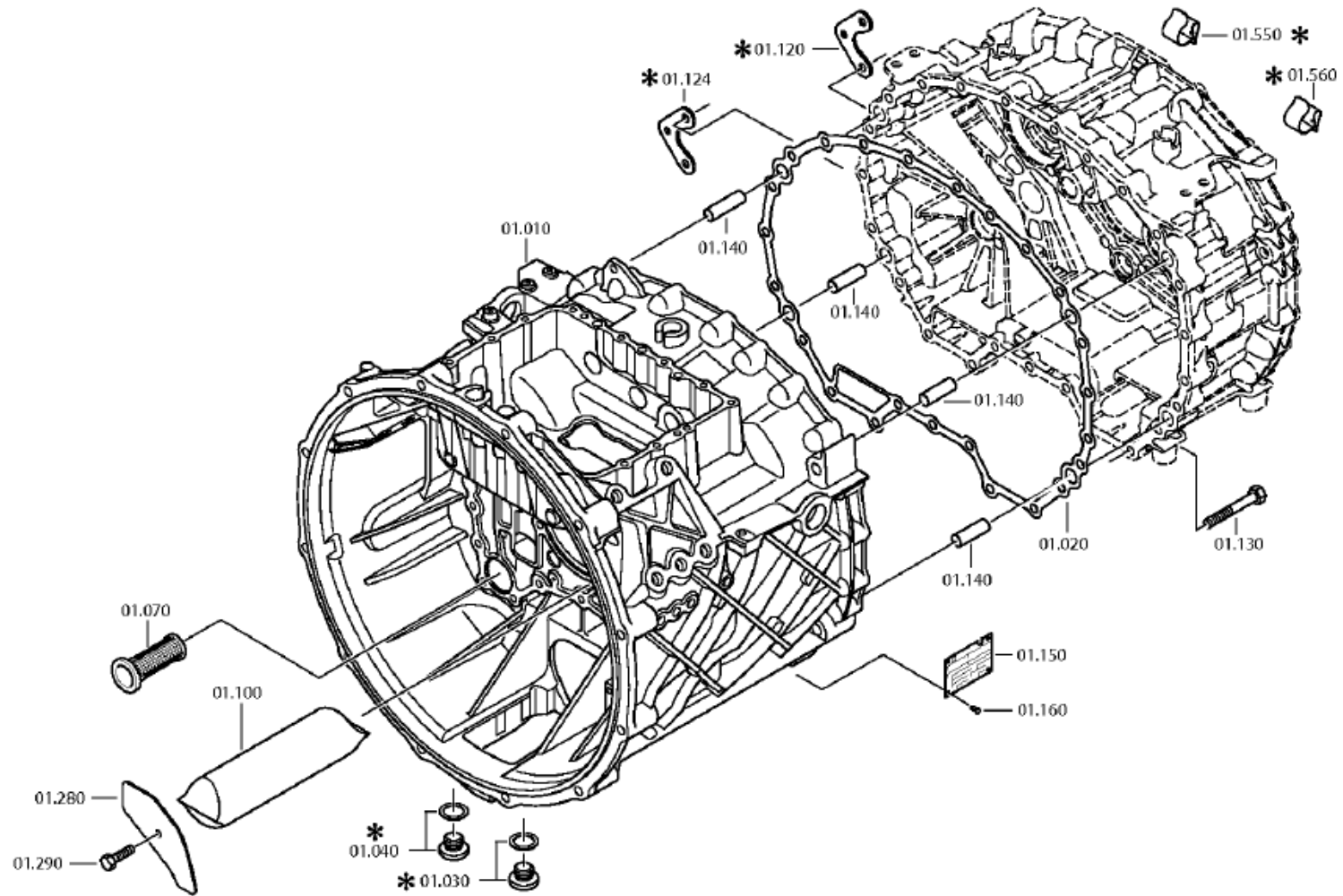


# Plant

Page 2 from 2

Material number: 1327.001.062  
Plant: 105.01.05-1  
GEARBOX HOUSING

12 AS 2301 IT (текущая дата: 14.01.2013) /  
GEARBOX HOUSING



# Parts list

Page 1 from 3

Material number: 1327.001.062

Plant: 105.01.43-1

Material-assembly-group-no: 1327.101.019

12 AS 2301 IT (текущая дата: 14.01.2013) /



Pos.	Material number	Customer material	Name	Quantity	ME	Amend. no.	Techn. Info.	Weight	Rep kit	Alternative material
10	---		HOUSING I	1		Z0000290601 3	GEH.I*2 BOH.L+R* MAN*KEIN GEW.F. NEUTRALSCHALTER	0,000		
---	1328.301. 138		HOUSING	1		Z0000290602 3		0,000		
---	1328.301. 147		HOUSING	1		Z0000290602 3	+GF+	0,000		
20	0501.324. 367		GASKET	1		C01004200F 10		0,000		
30	---		SCREW PLUG	1		Z0001016401 3	50N.M*DICHTRING M22X1,5	0,000		
---	0636.100. 824		SCREW PLUG	1		Z0001016401 9	M22X1,5	0,000		
---	0730.009. 515		SEALING RING	1		Z0001016401 9	A22X27	0,000		
40	---		SCREW PLUG	1		Z0001016401 3	50N.M*DICHTRING M22X1,5	0,000		
---	0636.100. 824		SCREW PLUG	1		Z0001016401 9	M22X1,5	0,000		
---	0730.009. 515		SEALING RING	1		Z0001016401 9	A22X27	0,000		
70	0501.318. 802	5718 742 08	SCREEN INSERT	1				0,000		
100	1328.301. 011		BREATHER	1				0,000		
130	0636.016. 405		HEXAGON BOLT	24		Z0000706011 0	M10X60	0,000		
140	0731.201. 563		CYLINDRICAL PIN	4				0,000		
150	0730.365. 241		TYPE PLATE	1			EINHEITSSCH. VERDREHSICHER	0,000		

# Parts list

Page 2 from 3

Material number: 1327.001.062

Plant: 105.01.43-1

Material-assembly-group-no: 1327.101.019

12 AS 2301 IT (текущая дата: 14.01.2013) /



Pos.	Material number	Customer material	Name	Quantity	ME	Amend. no.	Techn. Info.	Weight	Rep kit	Alternative material
160	0731.300.027		BLIND RIVET	4		Z00007904810		0,000		
280	1328.301.168		COVER	1		Z00011353810		0,000		
290	0636.016.401		HEXAGON BOLT	1			M8X25	0,000		
400	---		HOUSING II	1		Z00013574310		0,000		
---	1327.301.049		HOUSING	1		Z00003675715	GEHAEUSE KURZ	0,000		
---	1327.301.050		HOUSING	1		Z00003675715	GEHAEUSE II KURZ +GF+	0,000		
420	1327.301.027		SPRAY TUBE	1			ASTRONIC 2	0,000		
430	1327.301.028		SPRAY TUBE	1			ASTRONIC 2	0,000		
440	0731.201.700		PIN	2				0,000		
460	---		SCREW PLUG	1		Z00010176111	M24X1,5	0,000		
---	0736.300.160	4471982.1	SCREW PLUG	1			M24X1,5 M24X1,5	0,000		
---	0634.349.842	99707034432	O-RING	1		Z00010176110	21X2	0,000		
480	---		SCREW PLUG	1		Z00010112111	60N.M*O-RING MIT GLEIT-IE M24X1,5	0,000		
---	0636.304.088		SCREW PLUG	1		Z00010112110	M24X1,5	0,000		
---	0634.349.842	99707034432	O-RING	1		Z00010112110	21X2	0,000		
490	---		SCREW PLUG	1		Z00010112111	60N.M*O-RING MIT GLEIT-IE M24X1,5	0,000		

# Parts list

Page 3 from 3

Material number: 1327.001.062

Plant: 105.01.43-1

Material-assembly-group-no: 1327.101.019

12 AS 2301 IT (текущая дата: 14.01.2013) /



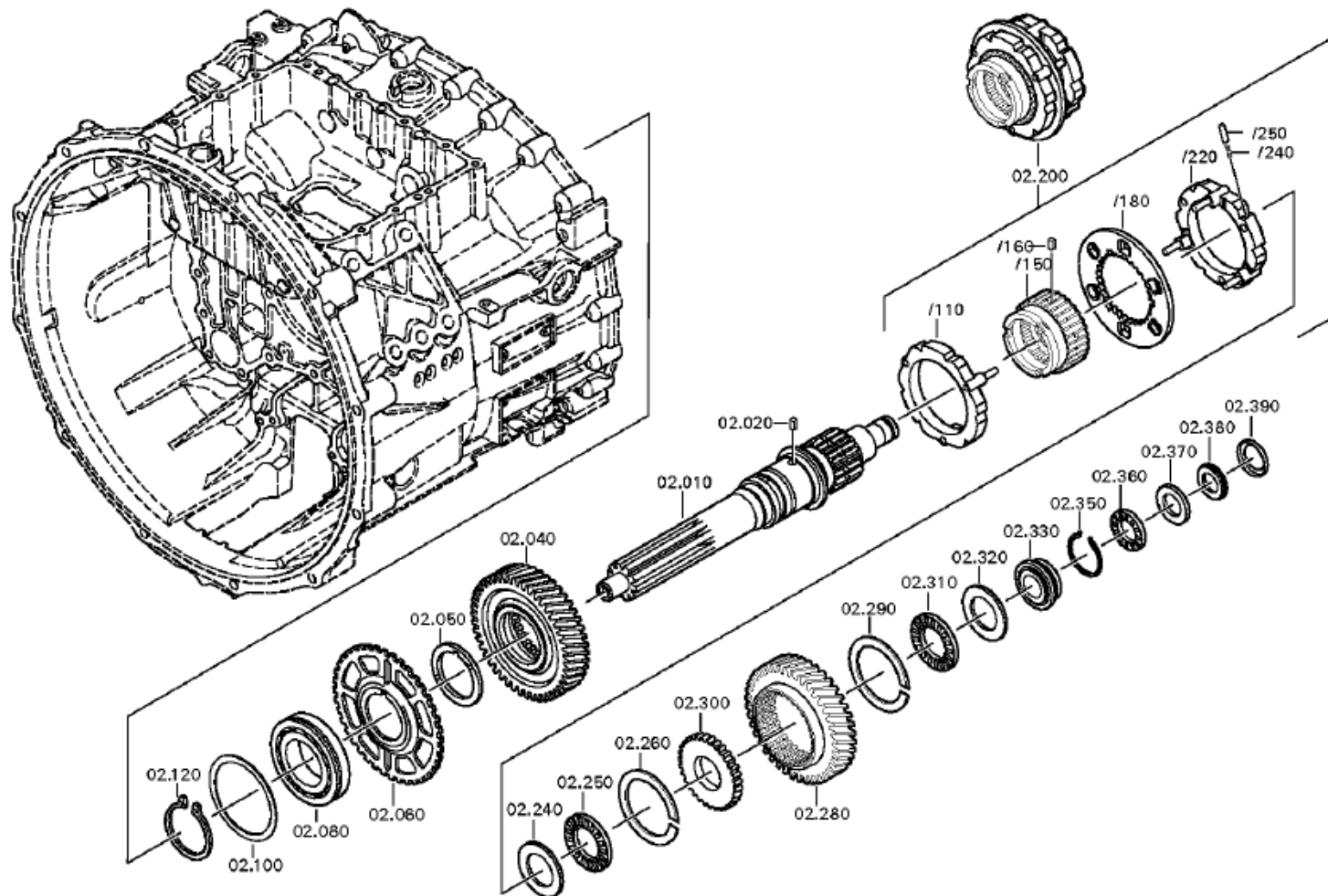
Pos.	Material number	Customer material	Name	Quantity	ME	Amend. no.	Techn. Info.	Weight	Rep kit	Alternative material
---	0636.304.088		SCREW PLUG	1		Z00010112110	M24X1,5	0,000		
---	0634.349.842	99707034432	O-RING	1		Z00010112110	21X2	0,000		

# Plant

Page 1 from 3

Material number: 1327.001.062  
Plant: 105.02.03-1  
INPUT SHAFT

12 AS 2301 IT (текущая дата: 14.01.2013) /  
INPUT SHAFT

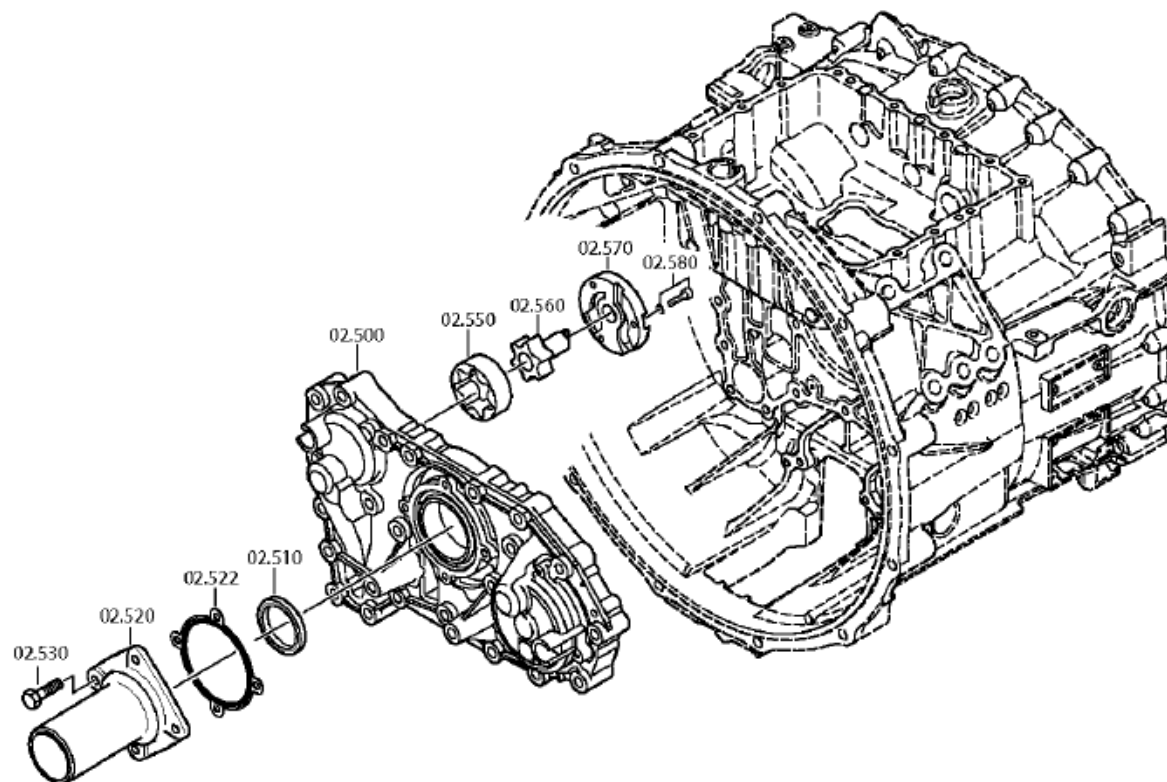


# Plant

Page 2 from 3

Material number: 1327.001.062  
Plant: 105.02.40-1  
INPUT SHAFT

12 AS 2301 IT (текущая дата: 14.01.2013) /  
INPUT SHAFT

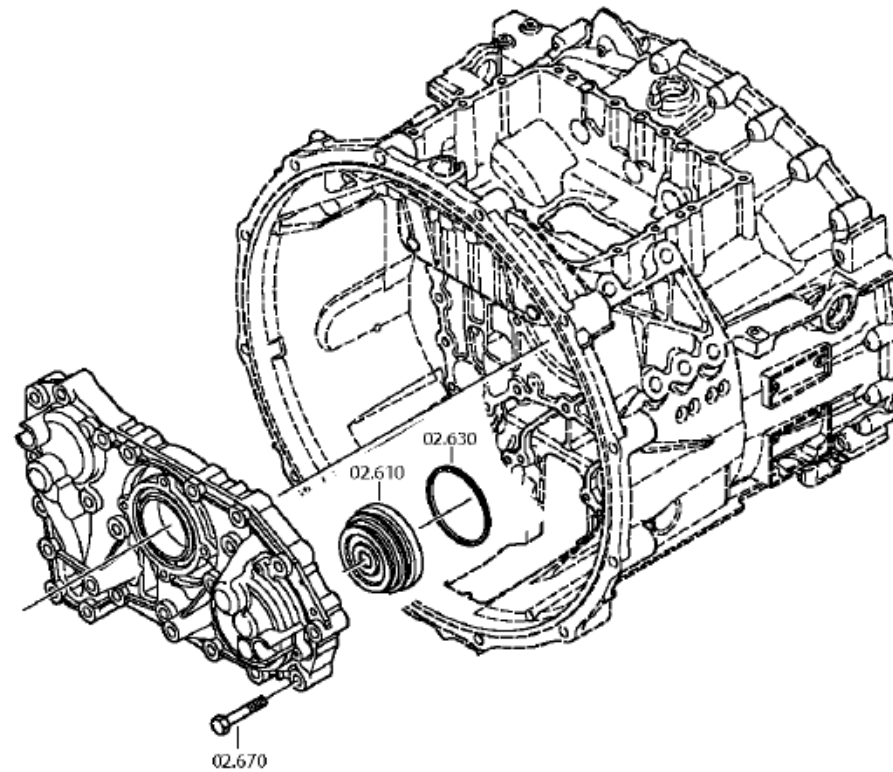


# Plant

Page 3 from 3

Material number: 1327.001.062  
Plant: 105.02.80-1  
INPUT SHAFT

12 AS 2301 IT (текущая дата: 14.01.2013) /  
INPUT SHAFT



# Parts list

Page 1 from 5

Material number: 1327.001.062

Plant: 105.02.03-1

Material-assembly-group-no: 1327.102.013

12 AS 2301 IT (текущая дата: 14.01.2013) /



Pos.	Material number	Customer material	Name	Quantity	ME	Amend. no.	Techn. Info.	Weight	Rep kit	Alternative material
10	1328.302.078		INPUT SHAFT	1		C01000287B 10		0,000		
20	1328.302.072		PIN	1			ENTHALT.IN 1328 302 073(2)	0,000		
40	1327.302.015		HELICAL GEAR	1		Z0001539351 0	KONST.1 OD	0,000		
50	0730.110.392		THRUST WASHER	1			A=6,00	0,000		
60	1328.302.024		COUNTING DISC	1				0,000		
80	0750.116.365		BALL BEARING	1		C01000287B 10	65,0X120,0X23,0	0,000		
100	---		WASHER	1			H= 1,40- 2,00( ABSTUFUNG:0,05MM)	0,000		
---	0730.008.532		SHIM	1			A=2,00 IN 0730 008 519(2)	0,000		
---	0730.008.531		SHIM	1			A=1,95 IN 0730 008 519(2)	0,000		
---	0730.008.530		SHIM	1			A=1,90 IN 0730 008 519(2)	0,000		
---	0730.008.529		SHIM	1			A=1,85 IN 0730 008 519(2)	0,000		
---	0730.008.528		SHIM	1			A=1,80 IN 0730 008 519(2)	0,000		
---	0730.008.527		SHIM	1			A=1,75 IN 0730 008 519(2)	0,000		
---	0730.008.526		SHIM	1			A=1,70 IN 0730 008 519(2)	0,000		
---	0730.008.525	571787308	SHIM	1			A=1,65 IN 0730 008 519(2)	0,000		
---	0730.008.524		SHIM	1			A=1,60 IN 0730 008 519(2)	0,000		



# Parts list

Page 2 from 5

Material number: 1327.001.062

Plant: 105.02.03-1

Material-assembly-group-no: 1327.102.013

12 AS 2301 IT (текущая дата: 14.01.2013) /



Pos.	Material number	Customer material	Name	Quantity	ME	Amend. no.	Techn. Info.	Weight	Rep kit	Alternative material
---	0730.008.523		SHIM	1			A=1,55 IN 0730 008 519(2)	0,000		
---	0730.008.522		SHIM	1			A=1,50 IN 0730 008 519(2)	0,000		
---	0730.008.521		SHIM	1			A=1,45 IN 0730 008 519(2)	0,000		
---	0730.008.520		SHIM	1			A=1,40 IN 0730 008 519(2)	0,000		
120	---		RETAINING RING	1		C01003290B 10	H= 3,25- 4,00( ABSTUFUNG:0,05MM)	0,000		
---	0730.501.360		RETAINING RING	1				0,000		
---	0730.501.359		RETAINING RING	1			A=3,95 IN 0730 501 232(2)	0,000		
---	0730.501.358		RETAINING RING	1			A=3,90 IN 0730 501 232(2)	0,000		
---	0730.501.357		RETAINING RING	1			A=3,85 IN 0730 501 232(2)	0,000		
---	0730.501.356		RETAINING RING	1			A=3,80 65 x 3.8	0,000		
---	0730.501.355		RETAINING RING	1			A=3,75 IN 0730 501 232(2)	0,000		
---	0730.501.354		RETAINING RING	1			A=3,70 IN 0730 501 232(2)	0,000		
---	0730.501.597		RETAINING RING	1			A=3,65 IN 0730 501 232(2)	0,000		
---	0730.501.596		RETAINING RING	1			A=3,60 IN 0730 501 232(2)	0,000		
---	0730.501.595		RETAINING RING	1			A=3,55 IN 0730 501 232(2)	0,000		
---	0730.501.594		RETAINING RING	1			A=3,50 IN 0730 501 232(2)	0,000		

# Parts list

Page 3 from 5

Material number: 1327.001.062

Plant: 105.02.03-1

Material-assembly-group-no: 1327.102.013

12 AS 2301 IT (текущая дата: 14.01.2013) /



Pos.	Material number	Customer material	Name	Quantity	ME	Amend. no.	Techn. Info.	Weight	Rep kit	Alternative material
---	0730.501.593		RETAINING RING	1			A=3,45 IN 0730 501 232(2)	0,000		
---	0730.501.592		RETAINING RING	1			A=3,40 IN 0730 501 232(2)	0,000		
---	0730.501.591		RETAINING RING	1			A=3,35 IN 0730 501 232(2)	0,000		
---	0730.501.590		RETAINING RING	1			A=3,30 IN 0730 501 232(2)	0,000		
---	0730.501.589		RETAINING RING	1			A=3,25 IN 0730 501 232(2)	0,000		
200	1328.202.049		SYNCHRONIZER	1		Z0000683461 0	KLP.OD ZF50	0,000		
/110	1328.202.046	1856703	SYNCHRORING	1		Z0000683461 1	KPL.	0,000		
/150	1328.302.064	57181208	GEAR SHIFT SLEEVE	1		Z0000683461 1		0,000		
/160	1328.302.072		PIN	1		Z0000683461 1	ENTHALT.IN 1328 302 073(2)	0,000		
/180	1328.302.132		PLATE	1		Z0000683461 1		0,000		
/220	1328.202.048	1856705	SYNCHRORING	1		Z0000683461 1	KPL. OD	0,000		
/240	0732.040.385	3362640693	COMPRSPRING	3		Z0000683461 1		0,000		
/250	0635.470.046		CYLROLLER	3		Z0000683461 1	7X10	0,000		
240	0730.111.066		WASHER	1				0,000		
250	0735.321.487		AXNEEDLE CAGE	1			43,0X73,0X8,0	0,000		
260	0730.513.973		SNAP RING	1		C01000695D 10	A=2,50	0,000		

# Parts list

Page 4 from 5

Material number: 1327.001.062

Plant: 105.02.03-1

Material-assembly-group-no: 1327.102.013

12 AS 2301 IT (текущая дата: 14.01.2013) /



Pos.	Material number	Customer material	Name	Quantity	ME	Amend. no.	Techn. Info.	Weight	Rep kit	Alternative material
280	1327.304.015		HELICAL GEAR	1		C01008756A 10	KONST.2 IN 1327 304 020(1)	0,000		
290	---		RETAINING RING	1		C01000881E 10	H= 2,50- 2,80( ABSTUFUNG:0,05MM)	0,000		
---	0730.513.973		SNAP RING	1			A=2,50	0,000		
---	0730.514.006		SNAP RING	1			A=2,55	0,000		
---	0730.514.007		SNAP RING	1			A=2,60	0,000		
---	0730.514.008		SNAP RING	1			A=2,65	0,000		
---	0730.514.009		SNAP RING	1			A=2,70	0,000		
---	0730.514.010		SNAP RING	1			A=2,75	0,000		
---	0730.514.011		SNAP RING	1			A=2,80	0,000		
300	1328.302.061		BEARING DISK	1				0,000		
310	0735.321.487		AXNEEDLE CAGE	1			43,0X73,0X8,0	0,000		
320	0730.111.066		WASHER	1				0,000		
330	1328.302.075		BEARING RING	1		C01007933A 10		0,000		
350	0730.513.641		RETAINING RING	1			A=2,00	0,000		
360	0735.321.381		AXROLLER CAGE	1			30,0X52,0X7,5	0,000		
370	0730.109.641		WASHER	1			A=5,00	0,000		

# Parts list

Page 5 from 5

Material number: 1327.001.062

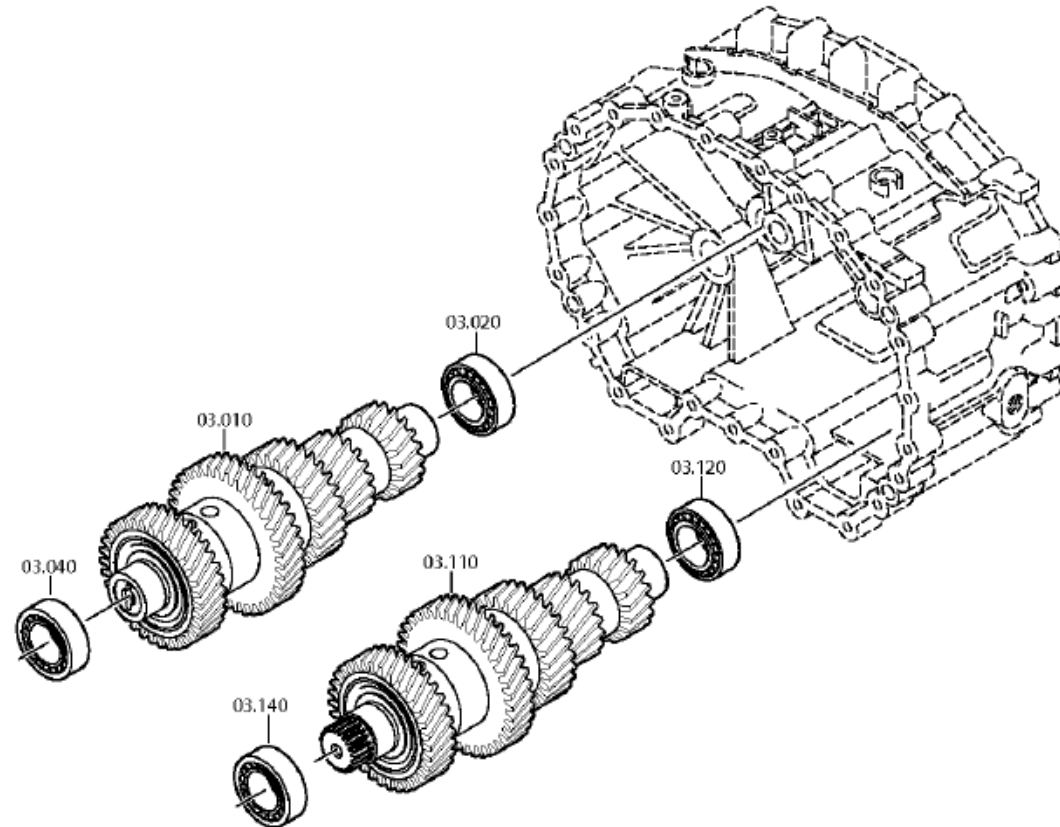
Plant: 105.02.03-1

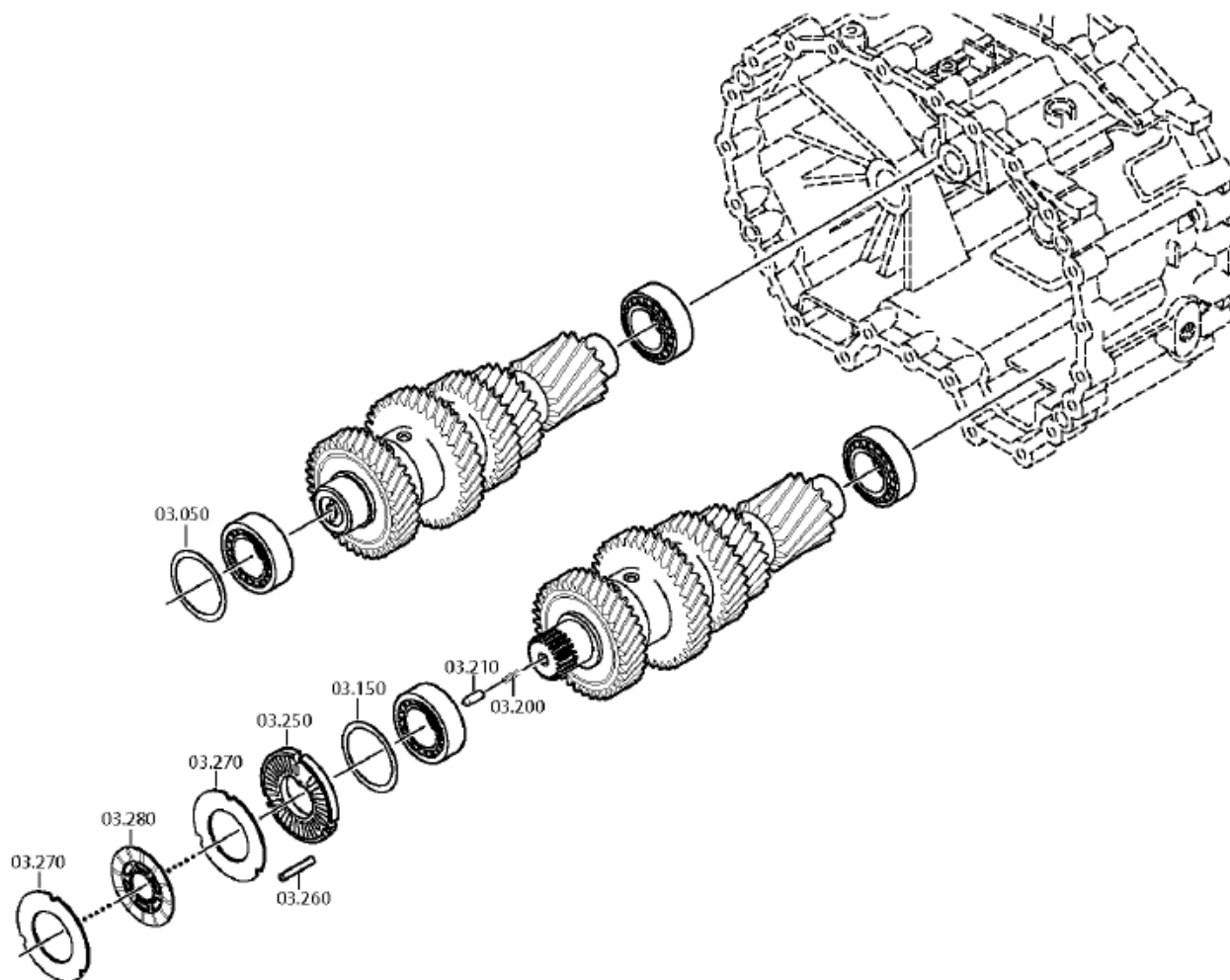
Material-assembly-group-no: 1327.102.013

12 AS 2301 IT (текущая дата: 14.01.2013) /



Pos.	Material number	Customer material	Name	Quantity	ME	Amend. no.	Techn. Info.	Weight	Rep kit	Alternative material
380	1328.202.038		SPLIT RING	1		C01003205D 10	KPL.	0,000		
390	0730.063.258		RETAINING RING	1			A=5,90	0,000		
500	1328.302.096		CONNPLATE	1				0,000		
510	---		SHAFT SEAL	1			55X70X8	0,000		
---	0734.319.847		SHAFT SEAL	1		Z0000447871 0	55X70X8 55X70X8	0,000		
520	1328.302.202		RELEASE FLANGE	1		Z0001538681 0		0,000		
522	0501.321.451		GASKET	1		C01004201E 10		0,000		
530	0636.016.401		HEXAGON BOLT	4			M8X25	0,000		
550	1315.303.027	5 5857 0	ROTOR	1				0,000		
560	1314.202.039	5 5842 0	PUMP SHAFT	1			KPL.	0,000		
570	1314.302.138		PUMP COVER	1				0,000		
580	0736.101.051		TORX SCREW	3			M6X25	0,008		
610	1328.202.024	571875008	PISTON	1			KPL.	0,000		
630	0501.326.576	1886888	U-RING	1		Z0000897311 0	70,8X84,6X8,1X6,7	0,000		
670	0636.102.270	0636 102 270 01	HEXAGON BOLT	22		Z0000917741 0	M10X60	0,000		





# Parts list

Page 1 from 5

Material number: 1327.001.062

Plant: 105.03.02-1

Material-assembly-group-no: 1327.103.012

12 AS 2301 IT (текущая дата: 14.01.2013) /



Pos.	Material number	Customer material	Name	Quantity	ME	Amend. no.	Techn. Info.	Weight	Rep kit	Alternative material
10	---		LAYSHAFT	1		Z0001539351 0	PUMPE*OD	0,000		
---	1327.203. 038		LAYSHAFT	1		Z0001539351 1	KPL.PUMPE *K1 GESCHLIFFEN*1G*24 GRAD VERZ.	0,000		
20	0634.100. 063		O-RING	1			84X3	0,000		
20	0735.300. 341		TAROLLBEARING	1			50,0X90,0X28,0	0,000		
20	0750.117. 640		TAROLLBEARING				50,0X90,0X28,0	0,750		0735..30.0.3
40	0634.100. 063		O-RING	1			84X3	0,000		
40	0735.300. 341		TAROLLBEARING	1			50,0X90,0X28,0	0,000		
40	0750.117. 640		TAROLLBEARING				50,0X90,0X28,0	0,750		0735..30.0.3
50	---		SHIM	1			H= 1,70- 2,80( ABSTUFUNG:0,05MM)	0,000		
---	0730.008. 303		SHIM	1			A=2,80 IN 0730 005 413(2)	0,000		
---	0730.008. 302		SHIM	1			A=2,75 IN 0730 005 413(2)	0,000		
---	0730.008. 301		SHIM	1			A=2,70 IN 0730 005 413(2)	0,030		
---	0730.008. 299		SHIM	1			A=2,65 IN 0730 005 413(2)	0,030		
---	0730.008. 298		SHIM	1			A=2,60 IN 0730 005 413(2)	0,030		
---	0730.008. 297		SHIM	1			A=2,55 IN 0730 005 413(2)	0,020		

# Parts list

Page 2 from 5

Material number: 1327.001.062

Plant: 105.03.02-1

Material-assembly-group-no: 1327.103.012

12 AS 2301 IT (текущая дата: 14.01.2013) /



Pos.	Material number	Customer material	Name	Quantity	ME	Amend. no.	Techn. Info.	Weight	Rep kit	Alternative material
---	0730.008.296		SHIM	1			A=2,50 IN 0730 005 413(2)	10		
---	0730.008.295		SHIM	1			A=2,45 IN 0730 005 413(2)	30		
---	0730.008.294		SHIM	1			A=2,40 IN 0730 005 413(2)	25		
---	0730.008.293		SHIM	1			A=2,35 IN 0730 005 413(2)	30		
---	0730.008.292		SHIM	1			A=2,30 IN 0730 005 413(2)	25		
---	0730.007.787		SHIM	1			A=2,25 IN 0730 005 413(2)	25		
---	0730.007.786		SHIM	1			A=2,20 IN 0730 005 413(2)	25		
---	0730.007.785		SHIM	1			A=2,15 IN 0730 005 413(2)	20		
---	0730.007.784		SHIM	1			A=2,10 IN 0730 005 413(2)	25		
---	0730.007.783	2836668	SHIM	1			A=2,05 IN 0730 005 413(2)	20		
---	0730.008.154	8900126912	SHIM	1			A=1,95 IN 0730 005 413(2)	20		
---	0730.001.009	1000000446	SHIM	1			A=2,00 IN 0730 005 413(2)	23		
---	0730.008.053	8900126911	SHIM	1			A=1,90 IN 0730 005 413(2)	25		
---	0730.005.817	8900126910	SHIM	1			A=1,85 IN 0730 005 413(2)	20		
---	0730.008.052	8900126909	SHIM	1			A=1,80 IN 0730 005 413(2)	20		
---	0730.005.816	03-11801428	SHIM	1			A=1,75 IN 0730 005 413(2)	20		



# Parts list

Page 3 from 5

Material number: 1327.001.062

Plant: 105.03.02-1

Material-assembly-group-no: 1327.103.012

12 AS 2301 IT (текущая дата: 14.01.2013) /



Pos.	Material number	Customer material	Name	Quantity	ME	Amend. no.	Techn. Info.	Weight	Rep kit	Alternative material
---	0730.008.051	8900126908	SHIM	1			A=1,70 IN 0730 005 413(2)	20		
110	---		LAYSHAFT	1		Z0001539351 0	BREMSE*OD	0,000		
---	1327.203.040		LAYSHAFT	1		Z0001539351 1	KPL.BREMSE *K1 GESCHLIFFEN*1G*24 GRAD VERZ.	0,000		
120	0750.117.640		TAROLLBEARING	1			50,0X90,0X28,0	0,750		
140	0750.117.640		TAROLLBEARING	1			50,0X90,0X28,0	0,750		
150	---		SHIM	1			H= 1,70- 2,80( ABSTUFUNG:0,05MM)	0,000		
---	0730.008.303		SHIM	1			A=2,80 IN 0730 005 413(2)	0,000		
---	0730.008.302		SHIM	1			A=2,75 IN 0730 005 413(2)	0,000		
---	0730.008.301		SHIM	1			A=2,70 IN 0730 005 413(2)	0,030		
---	0730.008.299		SHIM	1			A=2,65 IN 0730 005 413(2)	0,030		
---	0730.008.298		SHIM	1			A=2,60 IN 0730 005 413(2)	0,030		
---	0730.008.297		SHIM	1			A=2,55 IN 0730 005 413(2)	0,020		
---	0730.008.296		SHIM	1			A=2,50 IN 0730 005 413(2)	10		
---	0730.008.295		SHIM	1			A=2,45 IN 0730 005 413(2)	30		
---	0730.008.294		SHIM	1			A=2,40 IN 0730 005 413(2)	25		

# Parts list

Page 4 from 5

Material number: 1327.001.062

Plant: 105.03.02-1

Material-assembly-group-no: 1327.103.012

12 AS 2301 IT (текущая дата: 14.01.2013) /



Pos.	Material number	Customer material	Name	Quantity	ME	Amend. no.	Techn. Info.	Weight	Rep kit	Alternative material
---	0730.008.293		SHIM	1			A=2,35 IN 0730 005 413(2)	30		
---	0730.008.292		SHIM	1			A=2,30 IN 0730 005 413(2)	25		
---	0730.007.787		SHIM	1			A=2,25 IN 0730 005 413(2)	25		
---	0730.007.786		SHIM	1			A=2,20 IN 0730 005 413(2)	25		
---	0730.007.785		SHIM	1			A=2,15 IN 0730 005 413(2)	20		
---	0730.007.784		SHIM	1			A=2,10 IN 0730 005 413(2)	25		
---	0730.007.783	2836668	SHIM	1			A=2,05 IN 0730 005 413(2)	20		
---	0730.008.154	8900126912	SHIM	1			A=1,95 IN 0730 005 413(2)	20		
---	0730.001.009	1000000446	SHIM	1			A=2,00 IN 0730 005 413(2)	23		
---	0730.008.053	8900126911	SHIM	1			A=1,90 IN 0730 005 413(2)	25		
---	0730.005.817	8900126910	SHIM	1			A=1,85 IN 0730 005 413(2)	20		
---	0730.008.052	8900126909	SHIM	1			A=1,80 IN 0730 005 413(2)	20		
---	0730.005.816	03-11801428	SHIM	1			A=1,75 IN 0730 005 413(2)	20		
---	0730.008.051	8900126908	SHIM	1			A=1,70 IN 0730 005 413(2)	20		
200	0732.042.766		COMPRSPRING	1			ASTRONIC 2 HG/GV/GP	0,000		
210	0731.208.242		DETENT PIN	1				0,000		

# Parts list

Page 5 from 5

Material number: 1327.001.062

Plant: 105.03.02-1

Material-assembly-group-no: 1327.103.012

12 AS 2301 IT (текущая дата: 14.01.2013) /



Pos.	Material number	Customer material	Name	Quantity	ME	Amend. no.	Techn. Info.	Weight	Rep kit	Alternative material
250	1328.302.118		BRAKE COVER	1		C01009620B 10		0,000		
260	0631.306.699		CYLINDRICAL PIN	3			8X50	0,000		
270	1314.303.077	42291012	OCLUTCH DISC	4			ENTHALT.IN 1314 303 079(1)	0,000		
280	0501.214.821		ICLUTCH DISC	2		C01004746F 10	KPL.HC100.3, DM100	0,000		

# Plant

Page 1 from 1

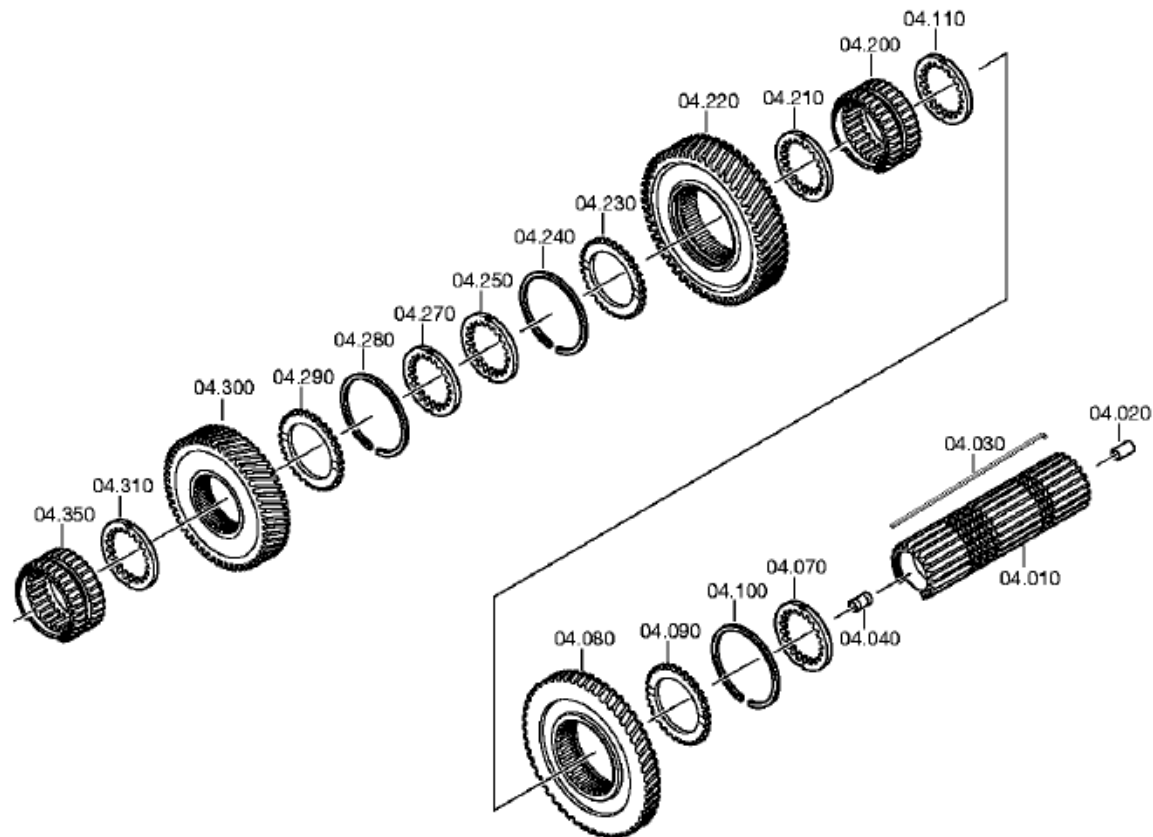
Material number: 1327.001.062

Plant: 105.04.05-1

Material-assembly-group-no: 1327.104.013

12 AS 2301 IT (текущая дата: 14.01.2013) /

MAIN SHAFT



# Parts list

Page 1 from 4

Material number: 1327.001.062

Plant: 105.04.05-1

Material-assembly-group-no: 1327.104.013

12 AS 2301 IT (текущая дата: 14.01.2013) /



Pos.	Material number	Customer material	Name	Quantity	ME	Amend. no.	Techn. Info.	Weight	Rep kit	Alternative material
10	1327.304.032		MAIN SHAFT	1				0,000		
20	1314.332.043		OIL TUBE	1				0,000		
30	1328.304.035		WEDGE	1				0,000		
40	1314.304.097		OIL TUBE	1				0,000		
70	1314.304.008		WASHER	1			A=7,00	0,000		
80	1328.304.061		HELICAL GEAR	1			RG	0,000		
90	1314.304.119		WASHER	1			ENTHALT.IN 1314 304 095(2)	0,000		
100	---		SNAP RING	1			H= 2,50- 2,70( ABSTUFUNG:0,05MM)	0,000		
---	0730.513.973		SNAP RING	1			A=2,50	0,000		
---	0730.514.006		SNAP RING	1			A=2,55	0,000		
---	0730.514.007		SNAP RING	1			A=2,60	0,000		
---	0730.514.008		SNAP RING	1			A=2,65	0,000		
---	0730.514.009		SNAP RING	1			A=2,70	0,000		
110	---		WASHER	1			H= 7,00- 7,20( ABSTUFUNG:0,05MM)	0,000		
---	1314.304.008		WASHER	1			A=7,00	0,000		
---	1327.304.033		WASHER	1			A=7,05	0,000		

# Parts list

Page 2 from 4

Material number: 1327.001.062

Plant: 105.04.05-1

Material-assembly-group-no: 1327.104.013

12 AS 2301 IT (текущая дата: 14.01.2013) /



Pos.	Material number	Customer material	Name	Quantity	ME	Amend. no.	Techn. Info.	Weight	Rep kit	Alternative material
---	1327.304.034		WASHER	1			A=7,10	0,000		
---	1327.304.035		WASHER	1			A=7,15	0,000		
---	1327.304.036		WASHER	1			A=7,20	0,000		
200	1328.304.064		SLIDING SLEEVE	1				0,000		
210	1314.304.008		WASHER	1			A=7,00	0,000		
220	1328.304.060		HELICAL GEAR	1			1G	0,000		
230	1314.304.119		WASHER	1			ENTHALT.IN 1314 304 095(2)	0,000		
240	---		SNAP RING	1			H= 2,50- 2,70( ABSTUFUNG:0,05MM)	0,000		
---	0730.513.973		SNAP RING	1			A=2,50	0,000		
---	0730.514.006		SNAP RING	1			A=2,55	0,000		
---	0730.514.007		SNAP RING	1			A=2,60	0,000		
---	0730.514.008		SNAP RING	1			A=2,65	0,000		
---	0730.514.009		SNAP RING	1			A=2,70	0,000		
250	---		WASHER	1			H= 7,00- 7,20( ABSTUFUNG:0,05MM)	0,000		
---	1314.304.008		WASHER	1			A=7,00	0,000		
---	1327.304.033		WASHER	1			A=7,05	0,000		

# Parts list

Page 3 from 4

Material number: 1327.001.062

Plant: 105.04.05-1

Material-assembly-group-no: 1327.104.013

12 AS 2301 IT (текущая дата: 14.01.2013) /



Pos.	Material number	Customer material	Name	Quantity	ME	Amend. no.	Techn. Info.	Weight	Rep kit	Alternative material
---	1327.304.034		WASHER	1			A=7,10	0,000		
---	1327.304.035		WASHER	1			A=7,15	0,000		
---	1327.304.036		WASHER	1			A=7,20	0,000		
270	1314.304.008		WASHER	1			A=7,00	0,000		
280	---		SNAP RING	1			H= 2,50- 2,70( ABSTUFUNG:0,05MM)	0,000		
---	0730.513.973		SNAP RING	1			A=2,50	0,000		
---	0730.514.006		SNAP RING	1			A=2,55	0,000		
---	0730.514.007		SNAP RING	1			A=2,60	0,000		
---	0730.514.008		SNAP RING	1			A=2,65	0,000		
---	0730.514.009		SNAP RING	1			A=2,70	0,000		
290	1314.304.119		WASHER	1			ENTHALT.IN 1314 304 095(2)	0,000		
300	---		HELICAL GEAR	1			2G	0,000		
---	1327.304.024		HELICAL GEAR	1			2G IN 1327 304 021(1)	0,000		
---	1327.304.002		HELICAL GEAR	1			IN 1327 304 021(1)	0,000		
310	---		WASHER	1			H= 7,00- 7,20( ABSTUFUNG:0,05MM)	0,000		
---	1314.304.008		WASHER	1			A=7,00	0,000		

## Parts list

Page 4 from 4

Material number: 1327.001.062

Plant: 105.04.05-1

Material-assembly-group-no: 1327.104.013

12 AS 2301 IT (текущая дата: 14.01.2013) /



Pos.	Material number	Customer material	Name	Quantity	ME	Amend. no.	Techn. Info.	Weight	Rep kit	Alternative material
---	1327.304.033		WASHER	1			A=7,05	0,000		
---	1327.304.034		WASHER	1			A=7,10	0,000		
---	1327.304.035		WASHER	1			A=7,15	0,000		
---	1327.304.036		WASHER	1			A=7,20	0,000		
350	1328.304.064		SLIDING SLEEVE	1				0,000		



# Plant

Page 1 from 1

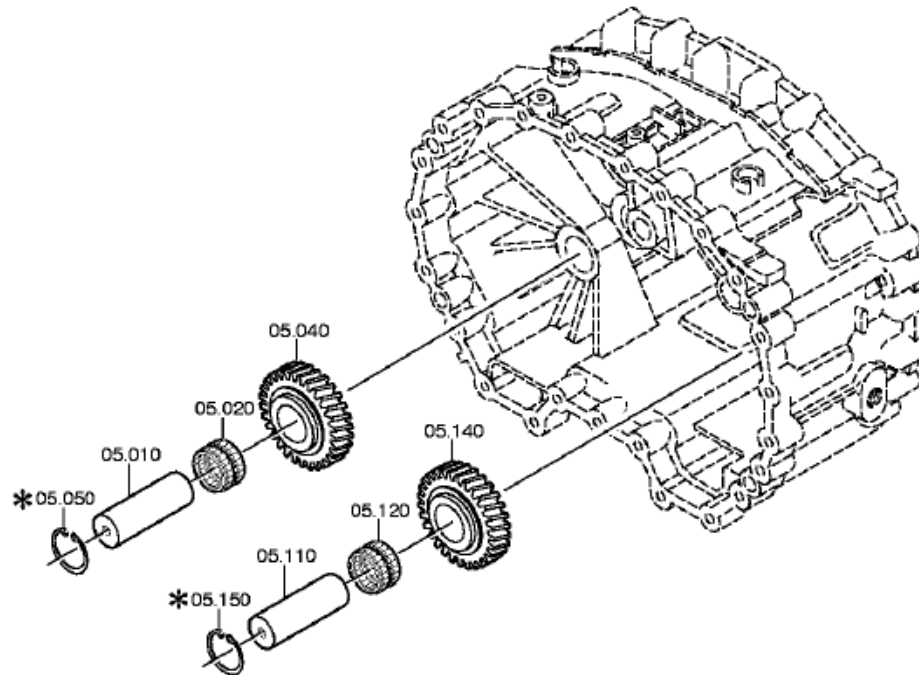
Material number: 1327.001.062

Plant: 105.05.01-1

Material-assembly-group-no: 1328.105.005

12 AS 2301 IT (текущая дата: 14.01.2013) /

RETURN



## Parts list

Page 1 from 1

Material number: 1327.001.062

Plant: 105.05.01-1

Material-assembly-group-no: 1328.105.005

12 AS 2301 IT (текущая дата: 14.01.2013) /



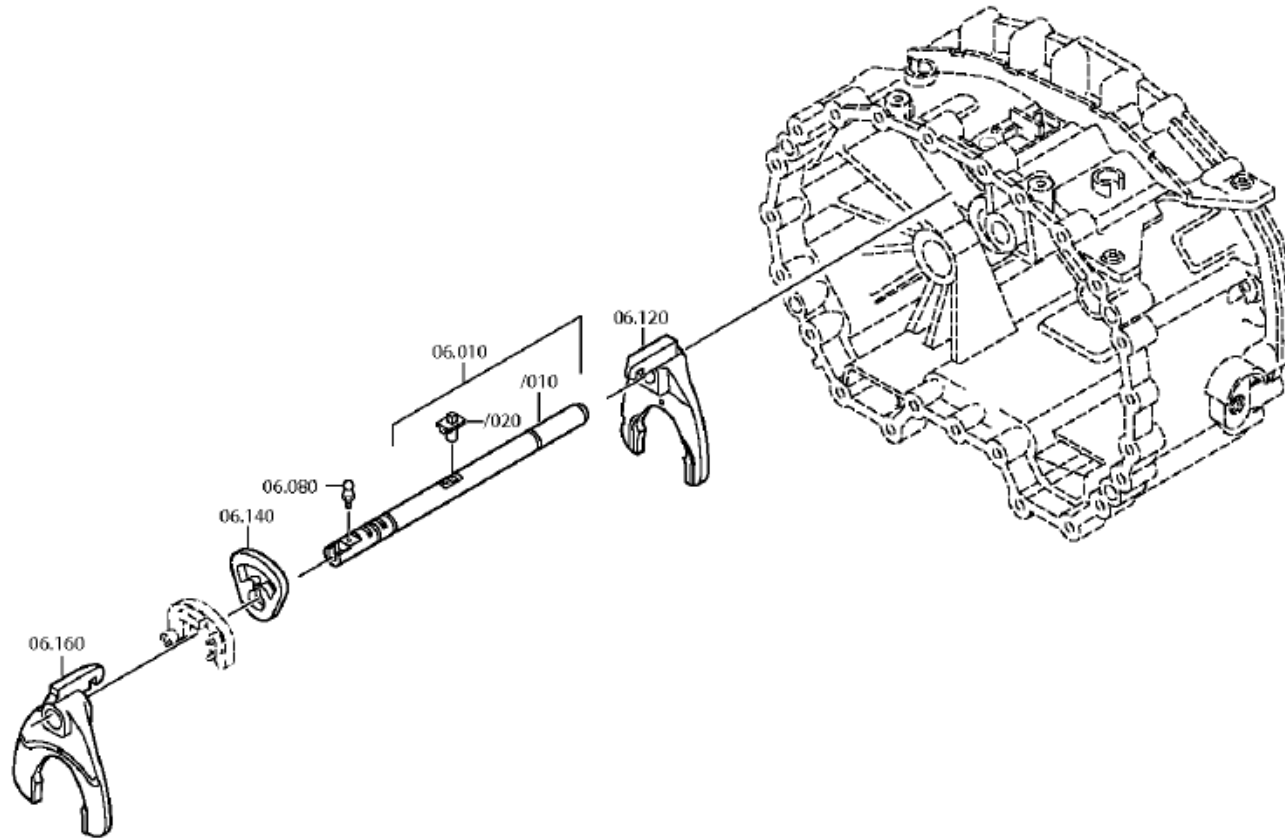
Pos.	Material number	Customer material	Name	Quantity	ME	Amend. no.	Techn. Info.	Weight	Rep kit	Alternative material
10	1328.305.007		REVERSE IDLER SHAFT	1				0,000		
20	0735.321.454		NEEDLE CAGE	1			40,0X48,0X40,0	0,000		
40	1328.305.014		HELICAL GEAR	1			RG	0,000		
110	1328.305.007		REVERSE IDLER SHAFT	1				0,000		
120	0735.321.454		NEEDLE CAGE	1			40,0X48,0X40,0	0,000		
140	1328.305.014		HELICAL GEAR	1			RG	0,000		

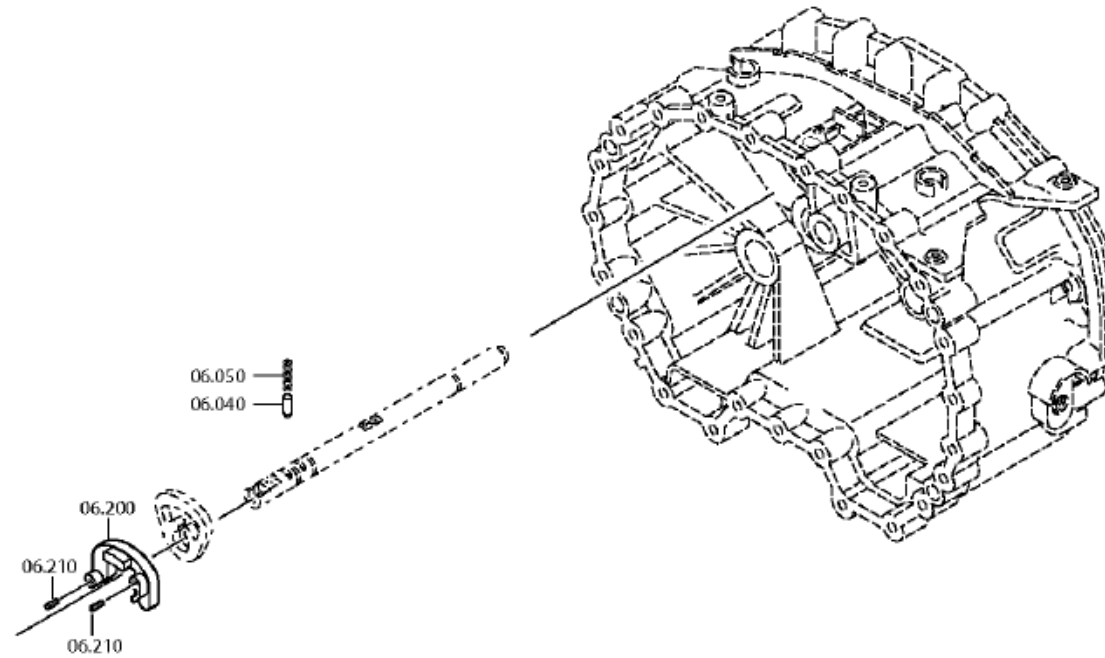
# Plant

Page 1 from 2

Material number: 1327.001.062  
Plant: 105.06.08-1  
GEAR SHIFT SYSTEM

12 AS 2301 IT (текущая дата: 14.01.2013) /  
GEAR SHIFT SYSTEM





# Parts list

Page 1 from 1

Material number: 1327.001.062

Plant: 105.06.08-1

Material-assembly-group-no: 1327.106.004

12 AS 2301 IT (текущая дата: 14.01.2013) /



Pos.	Material number	Customer material	Name	Quantity	ME	Amend. no.	Techn. Info.	Weight	Rep kit	Alternative material
10	1327.206.004		GEAR SHIFT SHAFT	1		C01006730E 10	KPL.	0,000		
/10	1327.306.009		GEAR SHIFT SHAFT	1		C01006730E 10		0,000		
/20	1328.306.027		GSHIFT FINGER	1		C01006730E 10		0,000		
40	0731.208.242		DETENT PIN	1				0,000		
50	0732.042.766		COMPRSPRING	1			ASTRONIC 2 HG/GV/ GP	0,000		
80	---		BALL PIN	1				0,000		
---	1314.306.064		BALL PIN	1				0,000		
120	1327.306.007		GEAR SHIFT FORK	1			1./RG	0,000		
140	1328.306.034		INTERLOCKING	1				0,000		
160	1328.306.026		GEAR SHIFT FORK	1			1-4G	0,000		
200	1328.306.021		SPACER	1				0,000		
210	0631.329.120	6005004537	SLOTPIN	2			6X18	0,010		

# Plant

Page 1 from 1

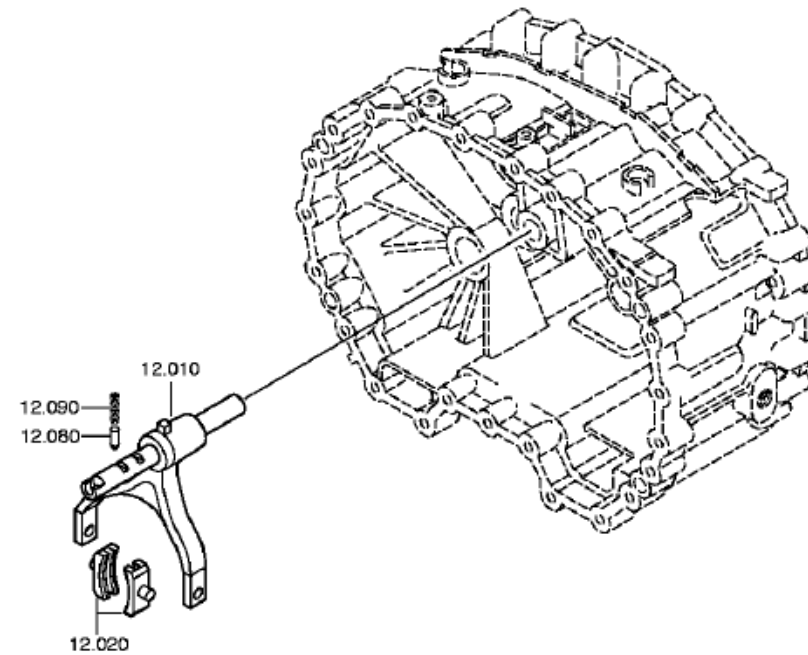
Material number: 1327.001.062

Plant: 105.40.05-1

Material-assembly-group-no: 1328.112.004

12 AS 2301 IT (текущая дата: 14.01.2013) /

GV-SHIFT SYSTEM



# Parts list

Page 1 from 1

Material number: 1327.001.062

Plant: 105.40.05-1

Material-assembly-group-no: 1328.112.004

12 AS 2301 IT (текущая дата: 14.01.2013) /



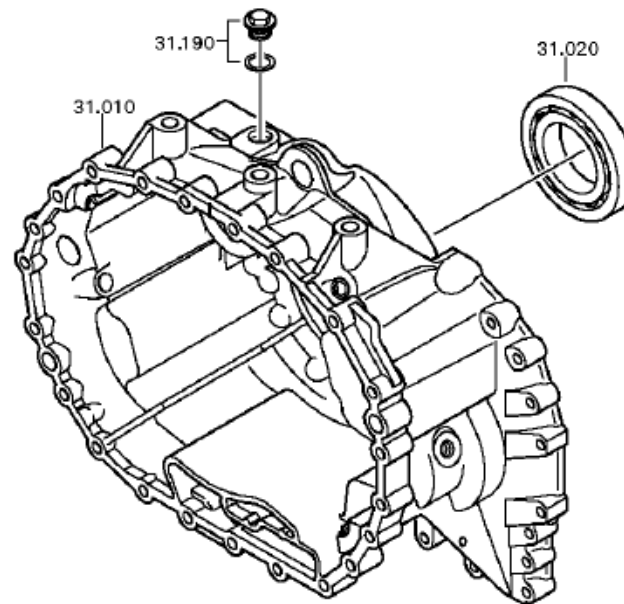
Pos.	Material number	Customer material	Name	Quantity	ME	Amend. no.	Techn. Info.	Weight	Rep kit	Alternative material
10	1328.212.002		GEAR SHIFT FORK	1			KPL.	0,000		
20	1328.312.005		SLIDING PAD	2		C01002455B 10		0,000		
80	0731.208.242		DETENT PIN	1				0,000		
90	0732.042.766		COMPRSPRING	1			ASTRONIC 2 HG/GV/ GP	0,000		

# Plant

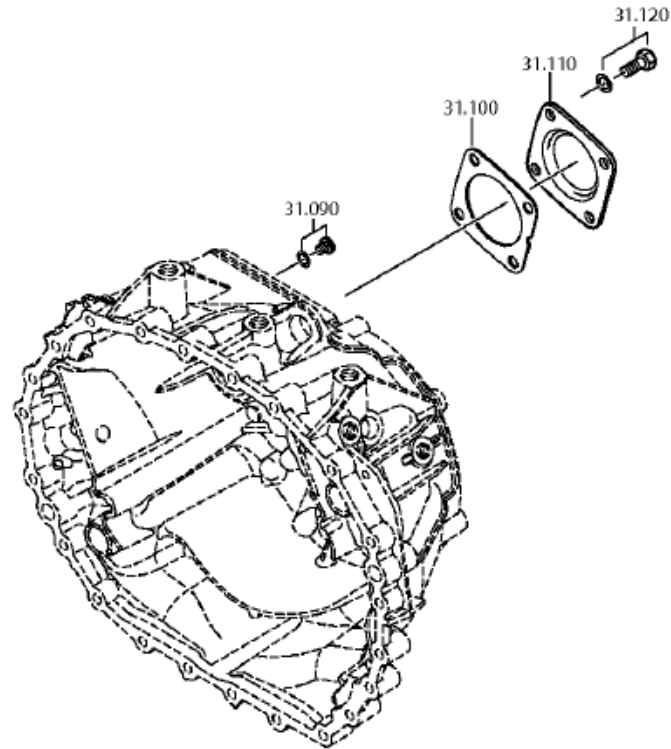
Page 1 from 4

Material number: 1327.001.062  
Plant: 069.43.04-1  
GP HOUSING

12 AS 2301 IT (текущая дата: 14.01.2013) /  
GP HOUSING





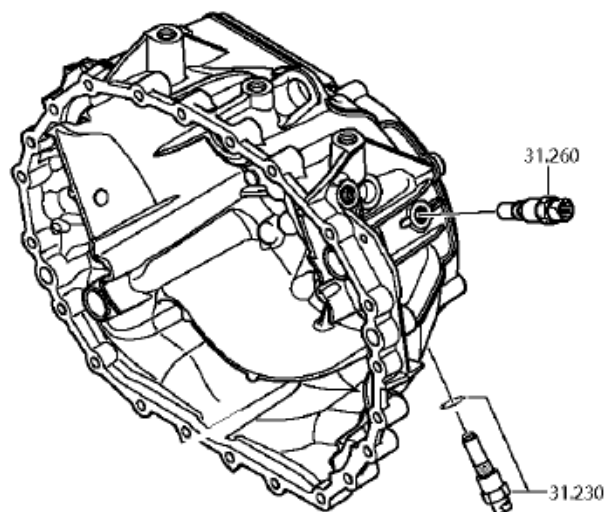


# Plant

Page 3 from 4

Material number: 1327.001.062  
Plant: 105.43.42-1  
GP HOUSING

12 AS 2301 IT (текущая дата: 14.01.2013) /  
GP HOUSING

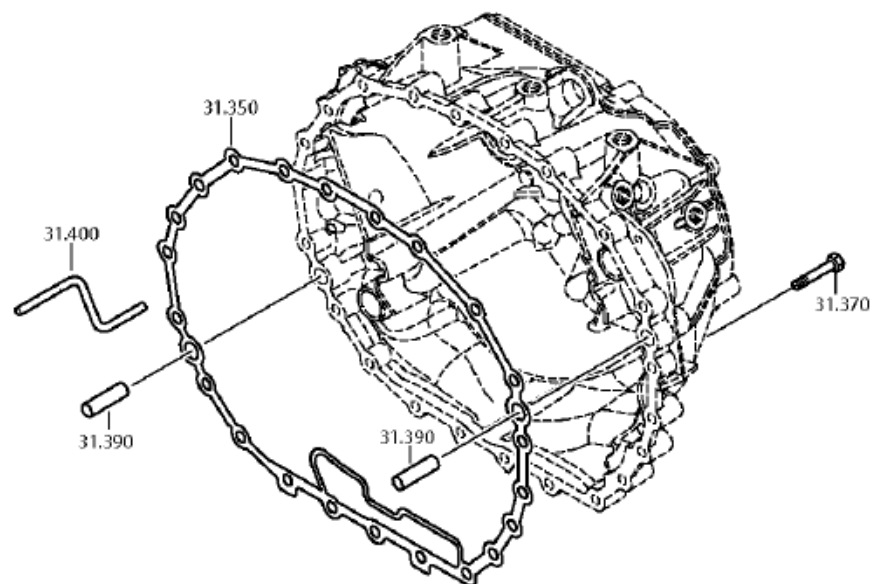


# Plant

Page 4 from 4

Material number: 1327.001.062  
Plant: 105.43.80-1  
GP HOUSING

12 AS 2301 IT (текущая дата: 14.01.2013) /  
GP HOUSING



# Parts list

Page 1 from 2

Material number: 1327.001.062

Plant: 069.43.04-1

Material-assembly-group-no: 1314.131.023

12 AS 2301 IT (текущая дата: 14.01.2013) /



Pos.	Material number	Customer material	Name	Quantity	ME	Amend. no.	Techn. Info.	Weight	Rep kit	Alternative material
10	6085.201.088		HOUSING	1		C01004675E 10	KPL.	0,000		
20	0750.116.394	5 8092 0	BALL BEARING	1		C01003016D 10	90,0X160,0X30,0	0,000		
90	---		SCREW PLUG	1		Z0001221121 3	15N.M*DICHTRING M10X1	0,000		
---	0636.100.793		SCREW PLUG	1		Z0001011161 3	M10X1	0,000		
---	0730.008.055		SEALING RING	1			10X14	0,000		
100	1238.308.201	5006880	GASKET	1		Z0001221121 3	ENTHALT.IN 1238 308 202(2)	0,000		
110	1328.301.170	1878388	COVER	1		Z0000806801 0		0,000		
120	---		HEXAGON BOLT	4		Z0000706101 4	M12X25	0,000		
---	0636.016.406		HEXAGON BOLT	4		Z0000706101 8	M12X25	0,000		
---	0630.100.284		WASHER	4		Z0000715821 7		0,000		
190	---		SCREW PLUG	1		Z0001011211 1	60N.M*DICHTRING M24X1,5	0,000		
---	0636.304.088		SCREW PLUG	1		Z0001011211 0	M24X1,5	0,000		
---	0730.008.637		SEALING RING	1		Z0001011211 0	24X29	0,000		
230	---		PULSE SENSOR	1		Z0000733761 5	L=19,8* 35N.M. *BAJONETT* KITAS2 MIT FLAECHENDICHTUNG	0,000		
---	0501.220.119		PULSE SENSOR	1		Z0001641361 0		0,105		

# Parts list

Page 2 from 2

Material number: 1327.001.062

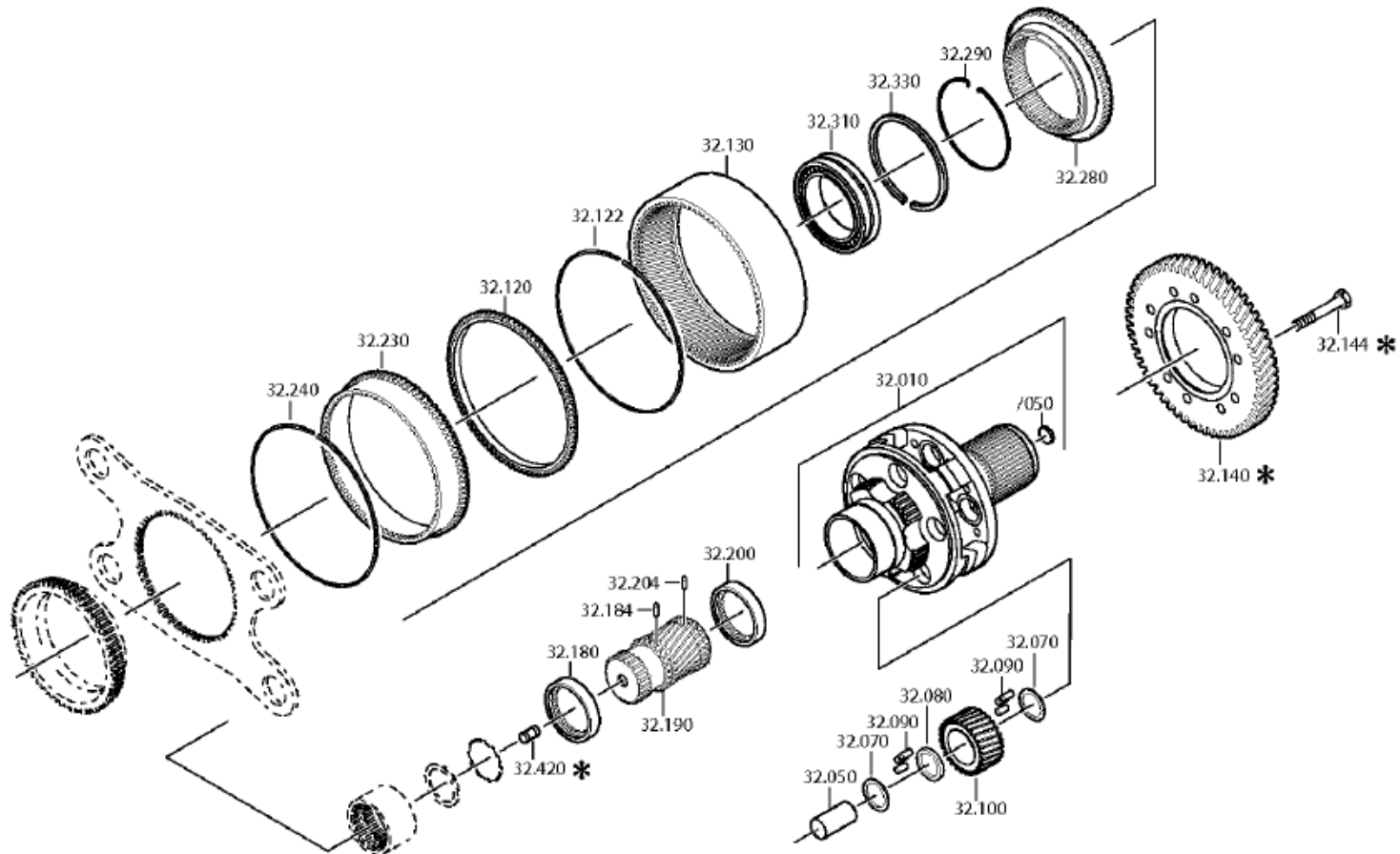
Plant: 069.43.04-1

Material-assembly-group-no: 1314.131.023

12 AS 2301 IT (текущая дата: 14.01.2013) /



Pos.	Material number	Customer material	Name	Quantity	ME	Amend. no.	Techn. Info.	Weight	Rep kit	Alternative material
260	---		PULSE SENSOR	1		Z0000733761 3	L=19,8* 35N.M.* BAJONETT MIT FLAECHENDICHTUNG	0,000		
---	0501.210. 855		PULSE SENSOR	1		Z0000733761 1		0,090		
350	0501.324. 368	47268112	GASKET	1		C01004201F 10		0,000		
370	0636.016. 405		HEXAGON BOLT	22		Z0000706011 0	M10X60	0,000		
390	0731.201. 563		CYLINDRICAL PIN	2				0,000		
400	1328.331. 001		SPRAY TUBE	1			GP	0,000		

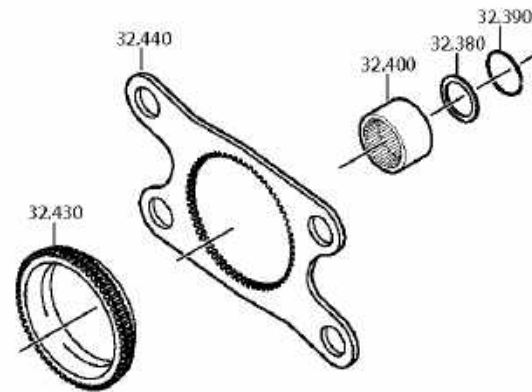


# Plant

Page 2 from 2

Material number: 1327.001.062  
Plant: 105.44.80-1  
PLANETARY DRIVE

12 AS 2301 IT (текущая дата: 14.01.2013) /  
PLANETARY DRIVE



# Parts list

Page 1 from 4

Material number: 1327.001.062

Plant: 105.44.01-1

Material-assembly-group-no: 1328.132.008

12 AS 2301 IT (текущая дата: 14.01.2013) /



Pos.	Material number	Customer material	Name	Quantity	ME	Amend. no.	Techn. Info.	Weight	Rep kit	Alternative material
10	1328.232.016		PLANET CARRIER	1		C01007481C 10	KPL. IN 1328 232 012(0)	0,000		
/50	---		SEALING CAP	1			20	0,000		
---	0630.361.033	8900125380	SEALING CAP	1				3,900		
50	1328.332.041		PLANET SHAFT	5		C01000790C 10		0,000		
70	0730.109.323	820-400-3050	INTERM WASHER	10			A=2,30 IN 0730 105 951(2)	0,013		
80	0730.109.640		INTERM WASHER	5			A=9,00 IN 0730 105 951(2)	0,053		
90	0750.119.116	42140312	ROLLER	140			10,0X16,8	0,010		
100	1328.232.006		PLANET GEAR SET	1			KPL.BETA=12GRAD 19MIN 36SE	0,000		
120	1328.332.046		THRUST RING	1		C01009812D 10		0,454		
122	0730.513.682		LOCKING WIRE	1		C01009812D 10	ENTHALT.IN 0730 513 681(2)	0,053		
130	1328.332.045		RING GEAR	1		C01009812D 10		0,000		
140	6085.301.217		HELICAL GEAR	1			ZYLINDERKOPF- SCHRAUBEN IT 2	0,000		
144	0636.101.761		CAP SCREW	10			M12X25	0,000		
180	1328.332.023	98341902	PRESSURE DISC	1				0,000		
190	1328.332.030		SUN GEAR	1				0,000		
200	1328.332.023	98341902	PRESSURE DISC	1				0,000		



# Parts list

Page 2 from 4

Material number: 1327.001.062

Plant: 105.44.01-1

Material-assembly-group-no: 1328.132.008

12 AS 2301 IT (текущая дата: 14.01.2013) /



Pos.	Material number	Customer material	Name	Quantity	ME	Amend. no.	Techn. Info.	Weight	Rep kit	Alternative material
230	1328.332.024		RING GEAR CARRIER	1				0,000		
240	0730.513.682		LOCKING WIRE	1			ENTHALT.IN 0730 513 681(2)	0,053		
280	1328.333.009		CLUTCH BODY	1		C01002703D 10		0,000		
290	0730.513.745		RETAINING RING	1			A=2,50	0,000		
310	0750.118.284		CYROLLBEARING	1		C01002963B 10	100,0X130,0X30,0	0,000		
330	0630.513.139	129684A1	SNAP RING	1				25		
380	---		SHIM	1			H= 1,00- 3,30( ABSTUFUNG:0,10MM)	0,000		
---	0730.004.643	571797808	SHIM	1			A=3,30 IN 0730 003 883(2)	0,000		
---	0730.004.641		SHIM	1			A=3,20 IN 0730 003 883(2)	0,000		
---	0730.004.639		SHIM	1			A=3,10 IN 0730 003 883(2)	0,000		
---	0730.004.637		SHIM	1			A=3,00 IN 0730 003 883(2)	0,000		
---	0730.004.635		SHIM	1			A=2,90 IN 0730 003 883(2)	0,000		
---	0730.004.633		SHIM	1			A=2,80 IN 0730 003 883(2)	0,000		
---	0730.004.631		SHIM	1			A=2,70 IN 0730 003 883(2)	0,000		
---	0730.004.629		SHIM	1			A=2,60 IN 0730 003 883(2)	0,000		
---	0730.003.914	1864421	SHIM	1			A=2,50 IN 0730 003 883(2)	0,000		

# Parts list

Page 3 from 4

Material number: 1327.001.062

Plant: 105.44.01-1

Material-assembly-group-no: 1328.132.008

12 AS 2301 IT (текущая дата: 14.01.2013) /



Pos.	Material number	Customer material	Name	Quantity	ME	Amend. no.	Techn. Info.	Weight	Rep kit	Alternative material
---	0730.003.912		SHIM	1			A=2,40 IN 0730 003 883(2)	0,000		
---	0730.003.910		SHIM	1			A=2,30 IN 0730 003 883(2)	0,000		
---	0730.003.908		SHIM	1			A=2,20 IN 0730 003 883(2)	0,000		
---	0730.003.906		SHIM	1			A=2,10 IN 0730 003 883(2)	0,000		
---	0730.003.904		SHIM	1			A=2,00 IN 0730 003 883(2)	0,000		
---	0730.003.902		SHIM	1			A=1,90 IN 0730 003 883(2)	0,000		
---	0730.003.900		SHIM	1			A=1,80 IN 0730 003 883(2)	0,000		
---	0730.003.898		SHIM	1			A=1,70 IN 0730 003 883(2)	0,000		
---	0730.003.896		SHIM	1			A=1,60 IN 0730 003 883(2)	0,000		
---	0730.003.894		SHIM	1			A=1,50 IN 0730 003 883(2)	0,000		
---	0730.003.892		SHIM	1			A=1,40 IN 0730 003 883(2)	0,000		
---	0730.003.890		SHIM	1			A=1,30 IN 0730 003 883(2)	0,000		
---	0730.003.888		SHIM	1			A=1,20 IN 0730 003 883(2)	0,000		
---	0730.003.886		SHIM	1			A=1,10 IN 0730 003 883(2)	0,000		
---	0730.003.884		SHIM	1			A=1,00 IN 0730 003 883(2)	0,000		
390	0630.502.218		RETAINING RING	1			64X2	0,000		

# Parts list

Page 4 from 4

Material number: 1327.001.062

12 AS 2301 IT (текущая дата: 14.01.2013) /

Plant: 105.44.01-1

Material-assembly-group-no: 1328.132.008



Pos.	Material number	Customer material	Name	Quantity	ME	Amend. no.	Techn. Info.	Weight	Rep kit	Alternative material
400	1328.304.068		SLEEVE	1		Z00012298110		0,000		
430	1328.333.010		CLUTCH BODY	1		Z00016876310		0,000		
440	1328.333.006		PLATE	1			ENTHALT.IN 1314 333 044(0)	0,000		

# Plant

Page 1 from 1

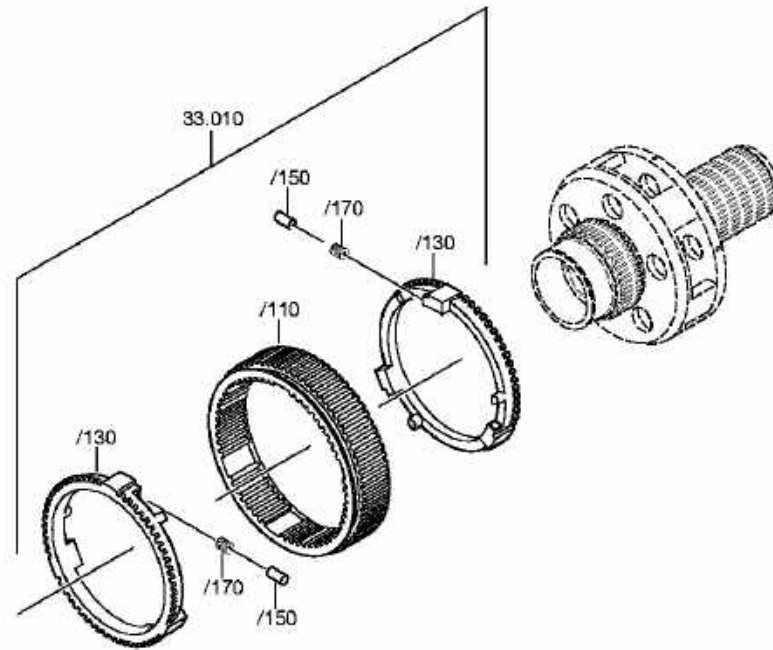
Material number: 1327.001.062

Plant: 105.45.01-1

Material-assembly-group-no: 1328.133.003

12 AS 2301 IT (текущая дата: 14.01.2013) /

SYNCHRONIZER



# Parts list

Page 1 from 1

Material number: 1327.001.062

Plant: 105.45.01-1

Material-assembly-group-no: 1328.133.003

12 AS 2301 IT (текущая дата: 14.01.2013) /



Pos.	Material number	Customer material	Name	Quantity	ME	Amend. no.	Techn. Info.	Weight	Rep kit	Alternative material
10	1328.233.001		SYNCHRONIZER	1		C01002153C 10	KPL.	0,000		
/110	1328.333.003		SLIDING SLEEVE	1			ZF-B165/74	0,000		
/130	1328.333.005		SYNCHRORING	2				0,000		
/150	0730.162.804		BUSH	6			A=17,00	0,000		
/170	0732.040.929	5 5229 0	COMPRSPRING	6				0,000		

# Plant

Page 1 from 1

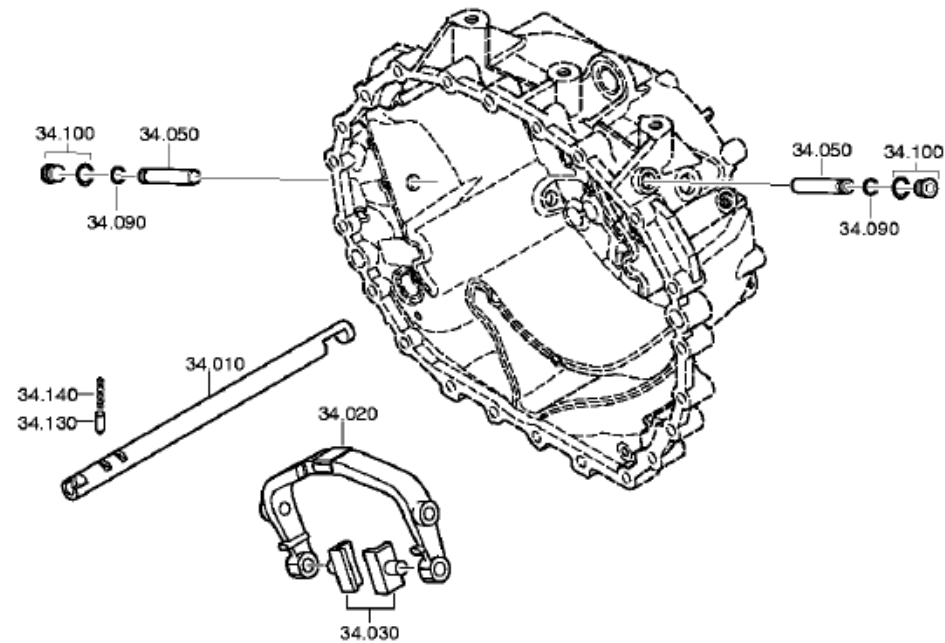
Material number: 1327.001.062

Plant: 105.46.03-1

Material-assembly-group-no: 1327.134.007

12 AS 2301 IT (текущая дата: 14.01.2013) /

GP SHIFT SYSTEM



# Parts list

Page 1 from 1

Material number: 1327.001.062

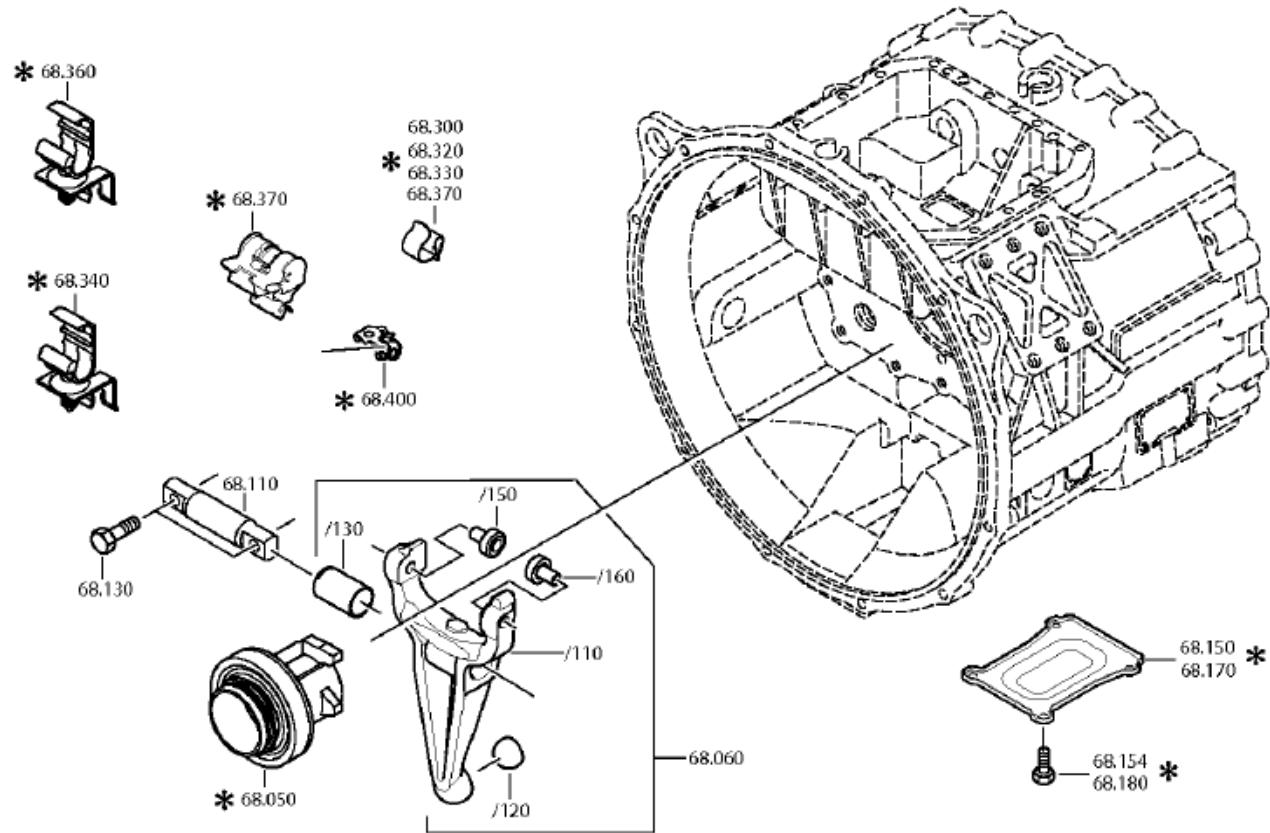
Plant: 105.46.03-1

Material-assembly-group-no: 1327.134.007

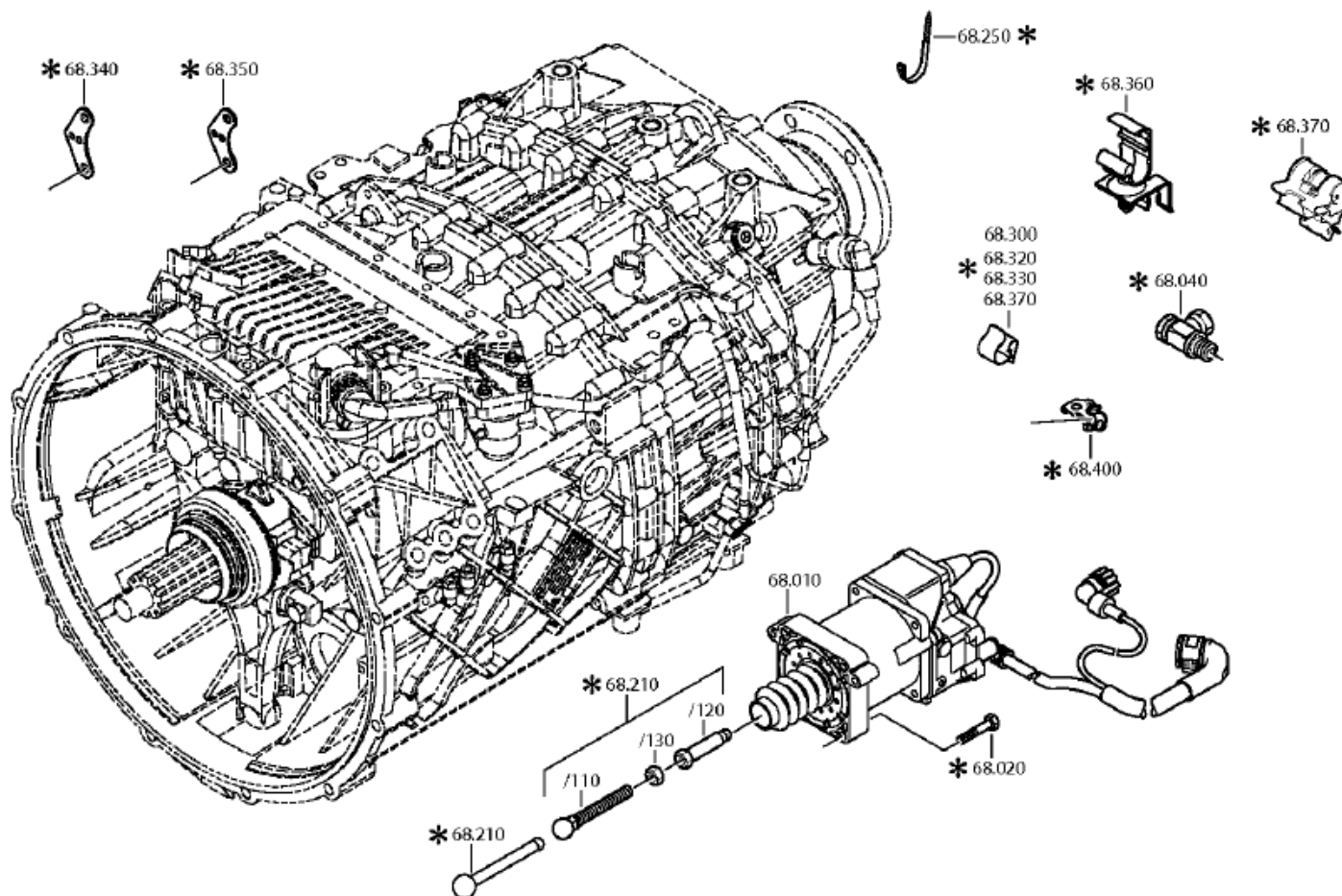
12 AS 2301 IT (текущая дата: 14.01.2013) /



Pos.	Material number	Customer material	Name	Quantity	ME	Amend. no.	Techn. Info.	Weight	Rep kit	Alternative material
10	1327.334.009		GEAR SHIFT RAIL	1				0,000		
20	1328.334.017		GEAR SHIFT FORK	1				0,000		
30	1328.334.004		SLIDING PAD	2				0,000		
50	1328.334.020		JOINT PIN	2				0,000		
90	0630.505.525		SNAP RING	2				0,000		
100	---		SCREW PLUG	2		C01003260D 10	40N.M*DICHTRING M20X1,5	0,000		
---	0636.302.608		SCREW PLUG	2		Z0001016451 2	M20X1,5	0,000		
---	0730.010.571		SEALING RING	2			A20X24	0,000		
130	0731.208.242		DETENT PIN	1				0,000		
140	0732.042.766		COMPRSPRING	1			ASTRONIC 2 HG/GV/ GP	0,000		







# Parts list

Page 1 from 2

Material number: 1327.001.062

Plant: 105.93.06-1

Material-assembly-group-no: 1328.168.011

12 AS 2301 IT (текущая дата: 14.01.2013) /



Pos.	Material number	Customer material	Name	Quantity	ME	Amend. no.	Techn. Info.	Weight	Rep kit	Alternative material
10	0501.219.051		CLUTCH ACTUATOR	1		Z00012098310	20PIN	0,000		
20	0636.015.686		HEXAGON BOLT	4		Z00007173110	M8X50	0,000		
50	0501.217.513		RELEASE DEVICE	1			KPL. KZISZ-5	0,000		
60	1328.268.012		RELEASE FORK	1		Z00004402510	KPL*GABELWEITE 116,0*KUGEL D=22*I= 2,00*MIT ROLLE*1-SK	0,000		
/110	1328.368.044		RELEASE FORK	1		Z00004402511		0,000		
/120	0501.306.220	0501 306 220	BALL CUP	1		Z00004402511		0,000		
/130	0501.323.199		BEARING BUSH	1		Z00004402511		0,000		
/150	0501.214.560		CAM FOLLOWER	1		Z00004402511	KPL.	0,000		
/160	0501.214.560		CAM FOLLOWER	1		Z00004402511	KPL.	0,000		
110	1328.368.001	871180008	RELEASE SHAFT	1				0,000		
130	0636.016.416		HEXAGON BOLT	2		Z00015892310	M12X50	0,000		
150	1328.301.167		COVER	1		Z00011353410		0,000		
154	0636.016.401		HEXAGON BOLT	4			M8X25	0,000		
210	1328.368.003		PRESSING ROD	1			ENTHALT.IN 1328 302 032(2)	0,000		
280	0700.300.422		TRANSPORTSICHG	1			VIERKANT-HOLZ	0,000		

## Parts list

Page 2 from 2

Material number: 1327.001.062

Plant: 105.93.06-1

Material-assembly-group-no: 1328.168.011

12 AS 2301 IT (текущая дата: 14.01.2013) /



Pos.	Material number	Customer material	Name	Quantity	ME	Amend. no.	Techn. Info.	Weight	Rep kit	Alternative material
300	0659.050.393		CABLE TERMINAL	1				0,000		
320	0659.050.410		CABLE TERMINAL	1				0,000		
330	0659.050.410		CABLE TERMINAL	1				0,000		
360	0501.219.327		ANCHORAGE	1			201187001 PASSIVIERT	0,000		
370	6072.202.004		LINE FIXING	1			KPL.	0,000		
400	0501.327.934		CABLE TERMINAL	1		Z0001209831 0		0,000		

# Assembly group overview

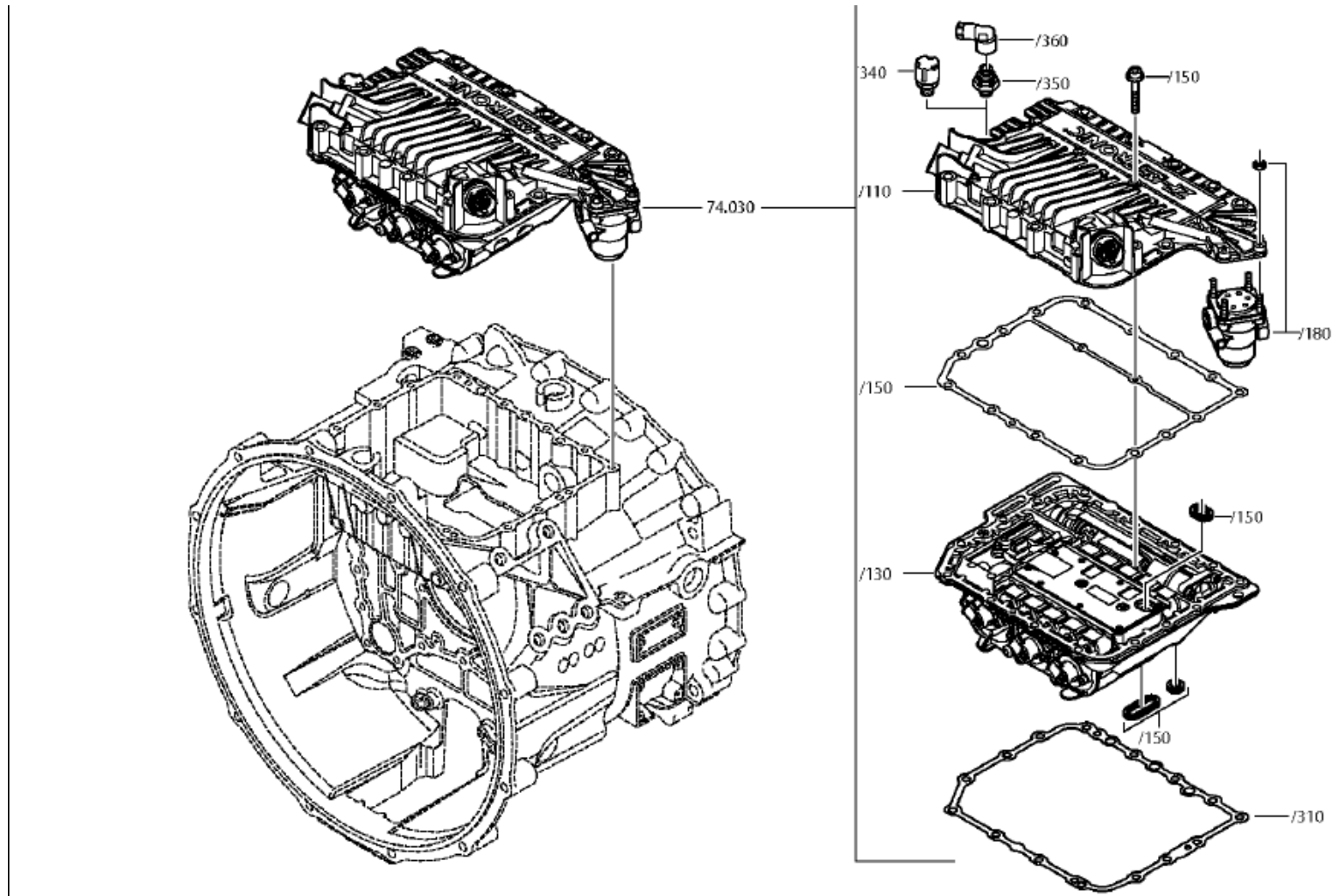
Material number: 6009.074.094

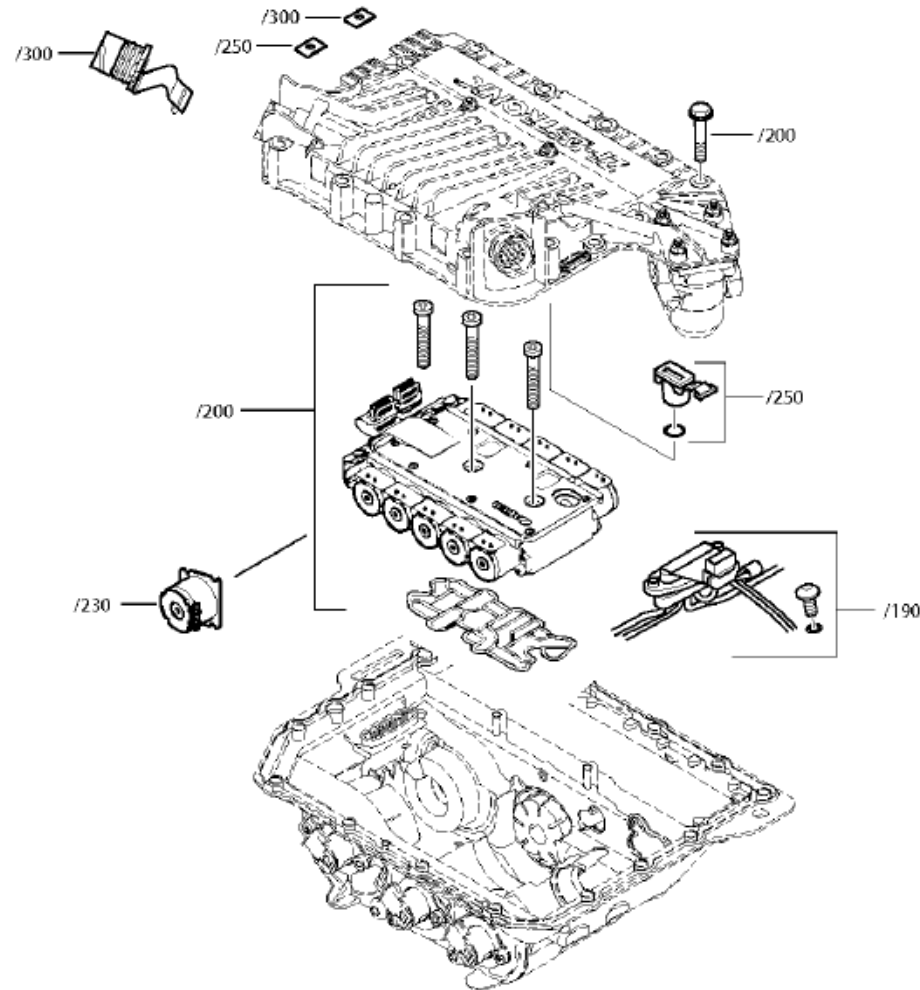
12 AS 2301 IT (текущая дата: 14.01.2013) /

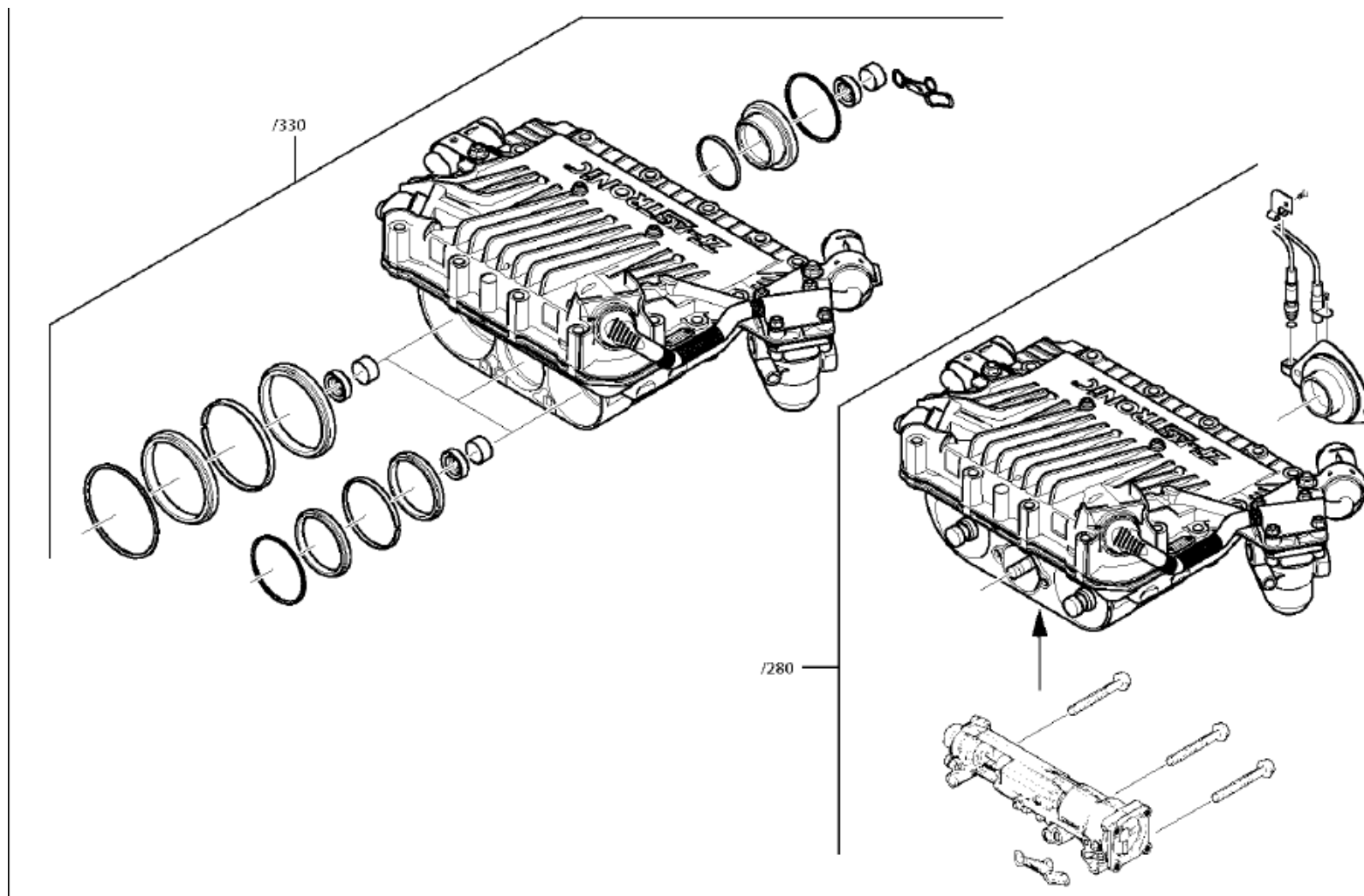
Page 1 from 1

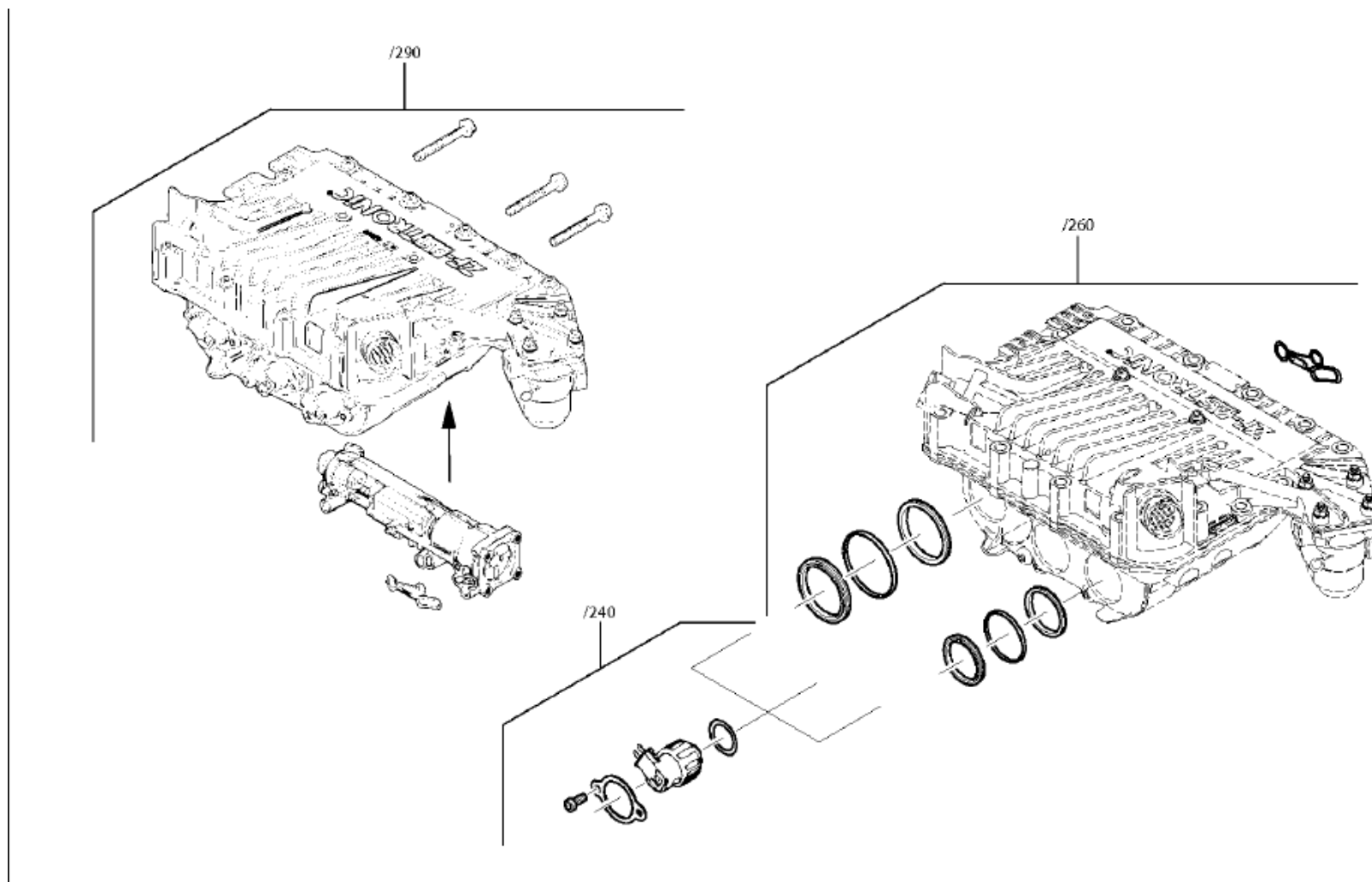


Graphics	Pos.	Material number	Name	Quantity	Amend. no.	Techn. Info.
106.36.09-1	110	6009.174.035	TRANSMISSION ACTUATOR	1		
106.36.83-1	150	6009.174.804	ACCESSORIES	1		

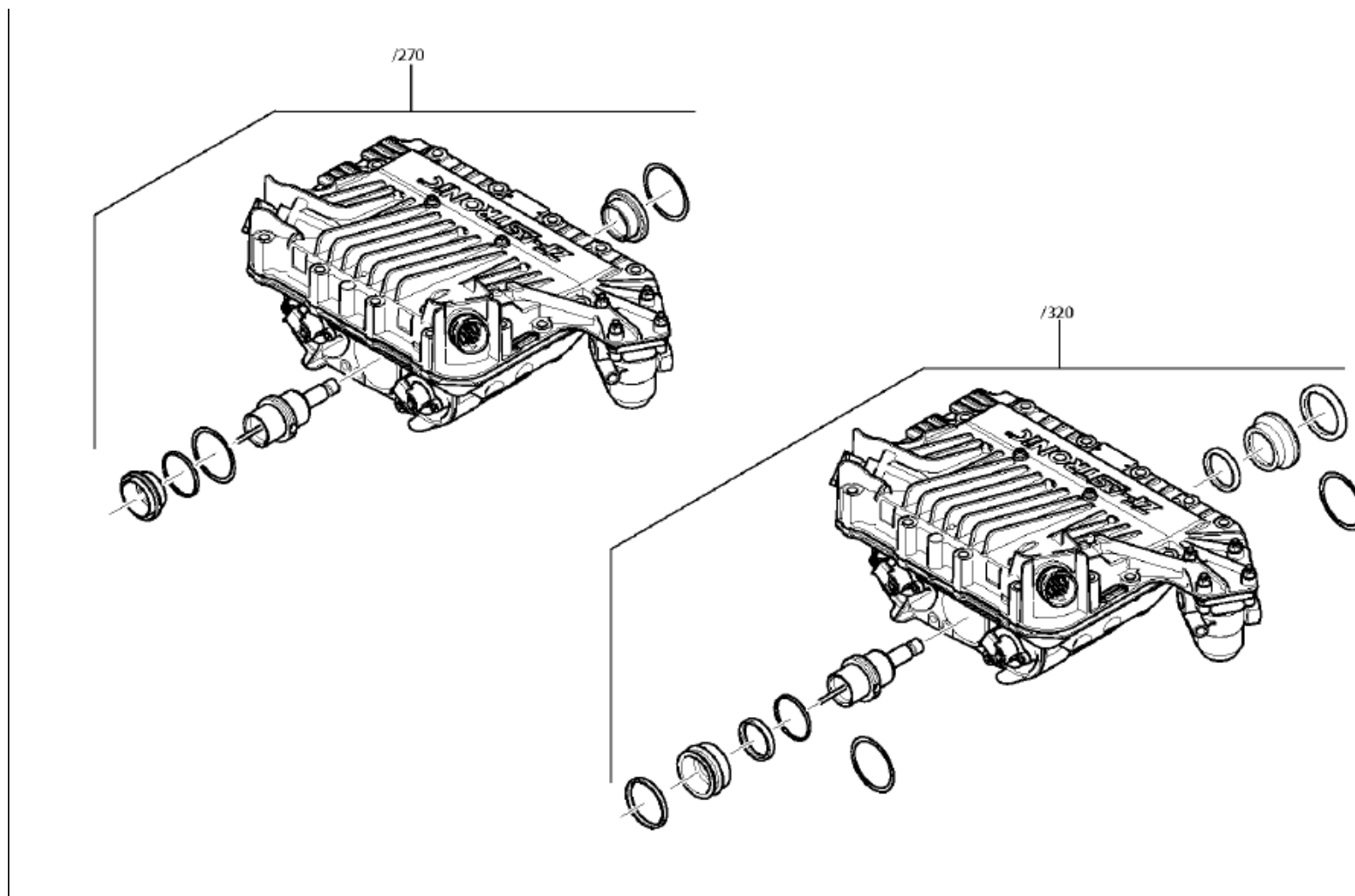


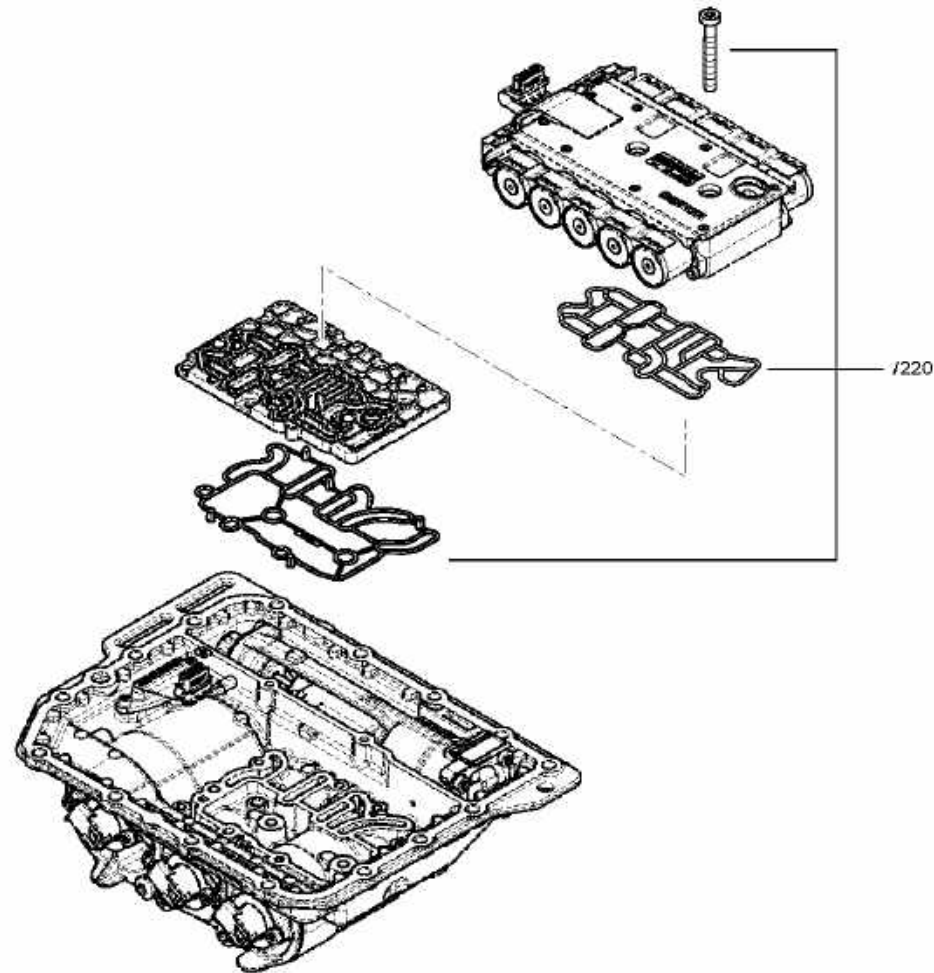












# Parts list

Page 1 from 2

Material number: 6009.074.094

Plant: 106.36.09-1

Material-assembly-group-no: 6009.174.035

12 AS 2301 IT (текущая дата: 14.01.2013) /



Pos.	Material number	Customer material	Name	Quantity	ME	Amend. no.	Techn. Info.	Weight	Rep kit	Alternative material
30	6009.274.069		TRANSMISSION ACTUATOR	1			KPL. GS3 STANDARD	0,000		
/110	6009.098.001		GS 3 UPPER PART	1			GS3*OBERTEIL* STANDARD	4,800		
//810	6009.198.001		UPPER PART	1				0,000		
/130	6009.298.006		REPAIR KIT	1			KPL.GS3*UNTERTEIL	0,000		
/150	0501.323.922		SEAL KIT	1				0,000		
/180	0501.320.849		PRESSREDVALVE	1				0,000		
/190	0501.321.146		CONNECTION PART	1				0,000		
/200	0501.321.147		VALVE INSERT	1				0,000		
/220	0501.330.103		REPAIR KIT	1				0,000		
/230	0501.323.913		SOLENOID VALVE	1				0,000		
/240	0501.321.148		SENSOR	1				0,000		
/250	0501.323.627		PRESSURE SENSOR	1			GS3,REPARATURKIT DRUCKS.	0,000		
/260	0501.321.149		SEAL KIT	1				0,000		
/270	0501.324.254		PISTON	1				0,000		
/280	0501.322.661		BRACKET	1				0,000		
/290	0501.321.182		SELECTOR CYLINDER	1			REPARATURSATZ GS3	0,000		

## Parts list

Page 2 from 2

Material number: 6009.074.094

Plant: 106.36.09-1

Material-assembly-group-no: 6009.174.035

12 AS 2301 IT (текущая дата: 14.01.2013) /



Pos.	Material number	Customer material	Name	Quantity	ME	Amend. no.	Techn. Info.	Weight	Rep kit	Alternative material
/300	0501.323.630		SOCKET	1			GS3,REPARATURKIT 20POL.	0,000		
/310	0501.316.322	571802208	GASKET	1			LOS 2	0,000		
/320	0501.322.388		PISTON	1				0,000		
/330	0501.324.253		SEAL KIT	1				0,000		
/340	---		BREATHER	1				0,000		
---	0501.218.540		BREATHER	1				0,000		
/350	---		CANNON SOCKET	1			M10X1	0,000		
---	0501.315.794		CANNON SOCKET	1			M10X1	0,000		
/360	0501.315.796		ANGLE PIECE	1				0,000		